

TABLE OF CONTENTS

DIFFERENTIAL PARTS

EATON®/DANA®	
MODEL	PAGE #
15040S/19050S/19055S/21065S/22065S	1
19055D/19060D/21060D/21065D/21080D/22060D/22065D 23070D/23080D/23085D/23105D/26080D	5
15040T-P/19050T-P/19055T-P/21065T-P/22065T-P	10
34DS/38DS/DS340/DS341/DS380-P/DS400-P/DS401-P DS402-P/DS451-P	13
34RS-P/38RS-P/RS340/RS341/RS401-9/RS402-P	20
DS344/DS404/DS454	23
RS344/RS404/RS-454	30
17101/18101/21121/23121/26121	36
15201/15301/16244/16344/17201/17301/18201/18301/21221/ 21321/22221/22321/23221/23321/26221/26321/35327	39
DS461-P/DS521-P/DS581-P	45
RS461/RS521/RS581	51
34DT-DP/38DT-DP/DT-DP340/DT-DP341/DT-DP380 DT-DP400/DT-DP401/DT-DP402	55
34RT-RP/38RT-RP/RT-RP340/RT-RP341/RT-RP380/ RT-RP381/RT-RP400/RT-RP401/RT-RP402/RT-RP451	62

INTERNATIONAL®/IHC®	
MODEL	PAGE #
N400/N401 FRONT	67
N400/401 REAR	70
RA30	72
RA39	74
RA351 FRONT	76
RA351 REAR	79
RA355 FRONT	81
RA355/RA472 REAR	84
RA472 FRONT	87
RA474 FRONT	92
RA474 REAR	97

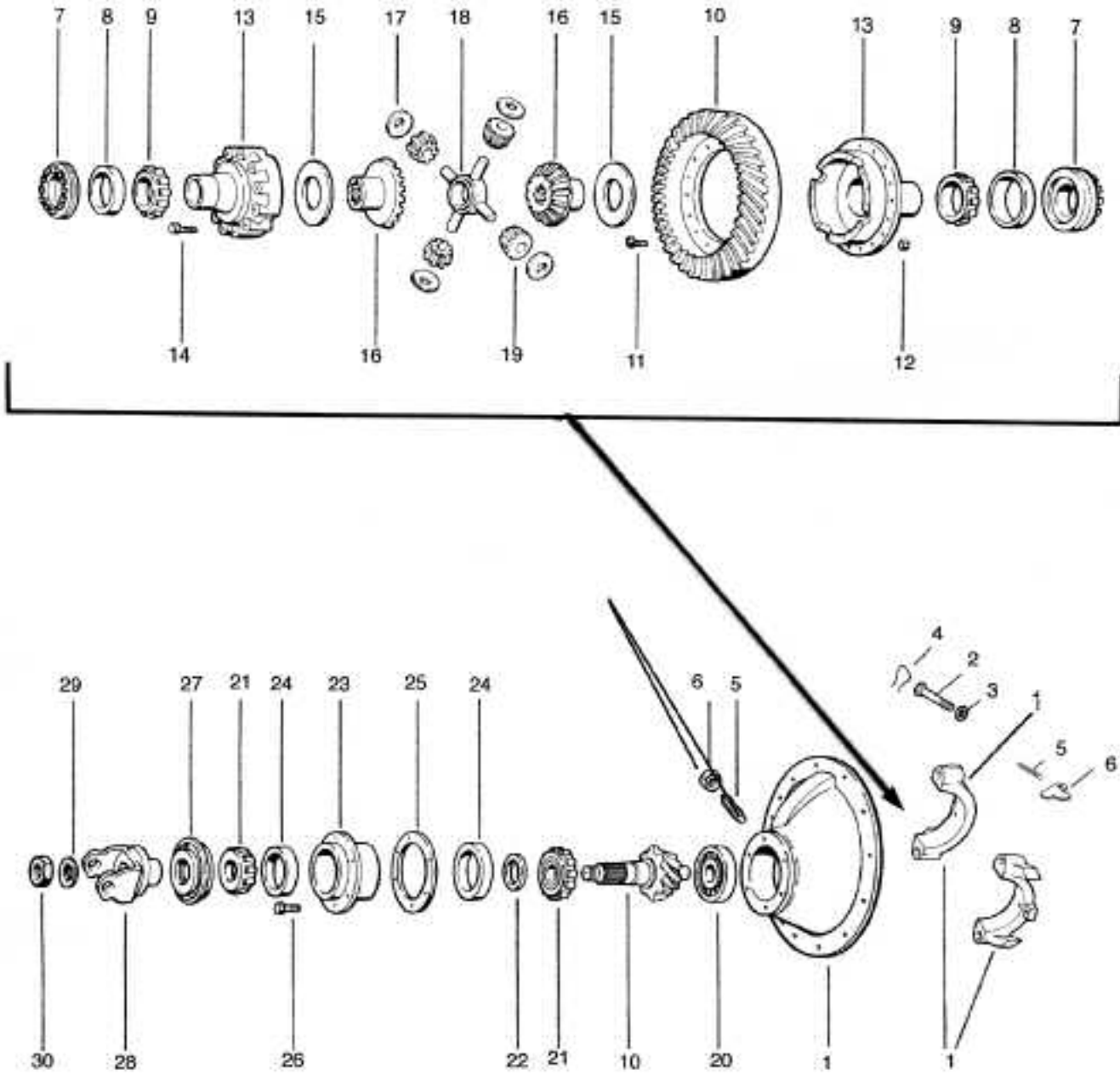
ROCKWELL®	
MODEL	PAGE #
SL-SQHD FRONT	101
SL-SQHD REAR	106
SL-SQ100/SQHP FRONT	109
SQHP/QAR REAR	118
SL-SQ100 REAR	121
SSHHD FRONT	124
SSHHD-SHR-THR-UHR REAR	128
WORLD AXLE 140, 141 & 145 SERIES FRONT	131
WORLD AXLE 140, 141 & 145 SERIES REAR	139
RS15-210/RS17-220/RS21-230/RS23-240	149
RS13-120/RS15-120/125 SERIES	156
WORLD AXLE 160, 161 & 164 SERIES FRONT	161
WORLD AXLE 160, 161 & 164 SERIES REAR	162
WORLD AXLE 180/185/186/380 SERIES FRONT	189

TRANSMISSION	
FULLER®	
MODEL	PAGE #
RTO11607L/RT11608/14608	213
RT/RTO/RTX11609A-B/RT12609A/RT13609 RT/RTO14609A-B	219
RT/RTO/RTX11709A-B/RT/RTO/RTX12709A-B-H/ RT/RTO/RTX14709A-B-H/RTX16709B-H	229
RTL0L11707LL/RTO13707DLL/RTO13707MLL	237
RT/RTX11710B-C/RT/RTX12710B-C/RT/RTX13710B-C/ RT/RTX14710B-C	243
RTX15710B-C/RT/RTX16710B-C	249
RTO958LL-B/RT1258LL/RTO11608LL/RTO14608LL	253
RTO11708LL/RTO14708LL	261
7608LL	265
RT/RTO/RTOO11613/RT/RTO/RTOO14613-B/ RT14813/RT/RTO15613-B	269
RTLO14613B	277
RTLO12713/RTLO14713/RTLO16713	281
RT/RTO/RTX11715/RT/RTO/RTX14715/ RT/RTO/RTX15715	287
RT/RTO/RTX11615/RT/RTO/RTX14615/ RT/RTO/RTX15615	293
RTLO14718/RTLO16718/RTLO18718	299
RTO15618/RTLO14618A/RTLO16618A	305
RTLO14918/RTLO16918/RTLO18918/ RTLO20918	311
NUTS, SNAP RINGS, SEALS & FRONT BEARING COVERS	316
INPUT SHAFTS	318
WARRANTY	332

PARTS LISTED IN THIS CATALOG ARE NOT NECESSARILY MANUFACTURED BY THE ORIGINAL EQUIPMENT MANUFACTURER AND ANY REFERENCE TO THE TRADEMARKS OR PART NUMBERS OF OTHERS ARE FOR CROSS REFERENCE INFORMATIONAL PURPOSES ONLY. THE TRADEMARKS OF OTHERS REFERRED TO HEREIN ARE OWNED BY THEIR RESPECTIVE COMPANIES AND ARE NOT AFFILIATED IN ANY WAY WITH MIDWEST TRUCK & AUTO PARTS, INC.™ MOTIVE GEAR® AND WORLD AMERICAN® ARE THE REGISTERED TRADEMARKS OF MIDWEST TRUCK & AUTO PARTS, INC.® USE OF THE ® IN CONNECTION WITH A MARK OF MIDWEST TRUCK & AUTO PARTS, INC.® INDICATES THAT THE MARK IS REGISTERED IN AT LEAST THE UNITED STATES. NO REPRESENTATION IS MADE WITH RESPECT TO THE SOURCE OF MANUFACTURE OF ANY PARTICULAR PART. © 2005, MIDWEST TRUCK & AUTO PARTS, INC.® ALL RIGHTS RESERVED.

EATON®

MODELS: 15040S - 19050S - 19055S - 21065S - 22065S



PARTS LISTED IN THIS CATALOG ARE NOT NECESSARILY MANUFACTURED BY THE ORIGINAL EQUIPMENT MANUFACTURER AND ANY REFERENCE TO THE TRADEMARKS OR PART NUMBERS OF OTHERS ARE FOR CROSS REFERENCE INFORMATIONAL PURPOSES ONLY. THE TRADEMARKS OF OTHERS REFERRED TO HEREIN ARE OWNED BY THEIR RESPECTIVE COMPANIES AND ARE NOT AFFILIATED IN ANY WAY WITH MIDWEST TRUCK & AUTO PARTS, INC.® MOTIVE GEAR® AND WORLD AMERICAN® ARE THE REGISTERED TRADEMARKS OF MIDWEST TRUCK & AUTO PARTS, INC.® USE OF THE ® IN CONNECTION WITH A MARK OF MIDWEST TRUCK & AUTO PARTS, INC.® INDICATES THAT THE MARK IS REGISTERED IN AT LEAST THE UNITED STATES. NO REPRESENTATION IS MADE WITH RESPECT TO THE SOURCE OF MANUFACTURE OF ANY PARTICULAR PART. © 2005, MIDWEST TRUCK & AUTO PARTS, INC.® ALL RIGHTS RESERVED.

EATON®

MODELS: 15040S - 19050S - 19055S - 21065S - 22065S

ITEM NO.	PART NAME	QTY PER AXLE	15040S	19050S	19055S 21065S 22065S	REMARKS
	Bearing, Seal & Gasket Kit	1	RA400R	RA221R	121769	
1	Diff. Carrier & Bearing Caps Carrier Casting No (NSS) Units built after 5-1-1990 Units built after 5-1-1990	1	121737 210316	121754 210393	121774 126044 - -	Includes Items 1-3, 5-6 Includes Items 1-3 Includes Items 1-3
2	Bearing Capscrew	4	210134	210095	210095	
3	Flat Washer	4	210175	210288	210288	
4	Cotter Pin	2	126156	126156	126156	
5	Ring Gear Thrust Screw	1	126193	126193	126193	
6	Thrust Screw Jam Nut	1	210184	210184	210184	
7	Diff. Bearing Adjuster (RH) Diff. Bearing Adjuster (LH)	1 1	210108 210389	210108 210389	210179 210009	Plain Case Side Flange Case Side
8	Diff. Bearing Cup (RH) Diff. Bearing Cup (LH)	1 1	3920 493	3920 493	493 592A	
9	Diff. Bearing Cone (LH) Diff. Bearing Cone (RH)	1 1	497 3994	497 3994	598 497	
10	RING GEAR & DRIVE PINION SET	1	MATCHED PARTS: (SEE SEPARATE LISTING ON PAGE 4)			
	RING GEAR BOLT & NUT KIT	1	121736	121753	121772	Includes Items 11-12
11	Bolt	16	126218	126219	126220	
12	Nut	16	126217	126216	126216	
	WHEEL DIFF CASE KIT	1				Includes Items 13-14
	Ratio Variance					
	3.36 - 3.90		122233			
	4.11 - 4.88		121734			
	5.29 - 7.17		121735			
	3.36 - 4.11			121750		Includes 210389
	4.33 5.29			121751		Diff. Brg.
	5.57 - 7.17			121752		Adjuster
	3.08 - 3.55				211407	
	3.70 - 4.33				121770	
	4.63 - 7.17				121771	
13	Diff. Case (Flange Half) (NSS) Ratio Variance	1				
	3.36 - 3.90		126037			
	4.11 - 4.88		126036			
	5.29 - 7.17		126035			
	3.36 - 4.11			210390		
	4.33 - 5.29			210391		
	5.57 - 7.17			210392		
	3.08 - 3.55				126190	
	3.70 - 4.33				126191	
	4.63 - 7.17				126192	
	Diff. Case (Plain Half) (NSS)	1	126996	126014	210017	
14	Diff. Case Capscrew	12	210469	210469	210091	
	WHEEL DIFF. KIT	1	114467	121748		Includes Items 15-19
					114469	19055S
					114470	21065S/22065S
	WHEEL DIFF. LESS SIDE GEAR KIT	1	118746	121749	118748	Includes Items 15, 17, & 19
15	Side Gear Thrust Washer	2	20850	126004	27827	
16	Diff. Side Gear	2				
	34 Involute Splines		110522			
	36 Involute Splines			126000		
	39 Involute Splines				110525	19055S
	41 Involute Splines				110527	21065S/22065S
17	Side Pinion Thrust Washer	4	25968	126003	27810	
18	Spider	1	20766	126002	38289	
19	Side Pinion	4	102512	126001	104139	
20	Pinion Pilot Bearing	1	MUB1305TDM	RUB1570UM	MUB1308UM	
21	Pinion Bearing Cone (Inner)	1	55175C	72200C	78215C	

NLA = No Longer Available
NSS = Not Sold Separately

PARTS LISTED IN THIS CATALOG ARE NOT NECESSARILY MANUFACTURED BY THE ORIGINAL EQUIPMENT MANUFACTURER AND ANY REFERENCE TO THE TRADEMARKS OR PART NUMBERS OF OTHERS ARE FOR CROSS REFERENCE INFORMATIONAL PURPOSES ONLY. THE TRADEMARKS OF OTHERS REFERRED TO HEREIN ARE OWNED BY THEIR RESPECTIVE COMPANIES AND ARE NOT AFFILIATED IN ANY WAY WITH MIDWEST TRUCK & AUTO PARTS, INC.® MOTIVE GEAR® AND WORLD AMERICAN® ARE THE REGISTERED TRADEMARKS OF MIDWEST TRUCK & AUTO PARTS, INC.® USE OF THE ® IN CONNECTION WITH A MARK OF MIDWEST TRUCK & AUTO PARTS, INC.® INDICATES THAT THE MARK IS REGISTERED IN AT LEAST THE UNITED STATES. NO REPRESENTATION IS MADE WITH RESPECT TO THE SOURCE OF MANUFACTURE OF ANY PARTICULAR PART. © 2005, MIDWEST TRUCK & AUTO PARTS, INC.® ALL RIGHTS RESERVED.

EATON®

MODELS: 15040S - 19050S - 19055S - 21065S - 22065S (Cont'd)

ITEM NO.	PART NAME	QTY PER AXLE			19055S	REMARKS
			15040S	19050S	21065S 22065S	
21	Pinion Bearing Cone (Outer)	1	HM903249	HM903249	55200C	
22	Pinion Bearing Spacer	AR	CALL YOUR SALES REP			
23	Pinion Bearing Cage & Cup Assy Case (NSS)	1	210340 210339	210189 210188	210011 210010	Includes Item 24
24	Pinion Bearing Cup (Inner)	1	55437	72487	78551	
	Pinion Bearing Cup (Outer)	1	HM903210	HM903210	55437	
25	Pinion Bearing Cage Shim	AR				
		.003"	107567	107567	67920	
		.005"	107568	107568	67921	
		.010"	107569	107569	67922	
		.020"	107570	107570	67923	
		.030"	NLA	NLA	67924	
26	Bearing Cage Capscrew	6	210115	210115	210094	
	OIL SEAL & SHIM KIT	1	115551	115551	121773	Includes Items 25 & 27 & RTV
27	Pinion Oil Seal	1	9773	9773	9773	
28	Input Yoke	1	CALL YOUR SALES REP			
29	Washer	1	210114	210114	210090	
30	Pinion Nut	1	210133	210133	210089	
	Gasket Compound	AR	107276	107276	107276	

PARTS LISTED IN THIS CATALOG ARE NOT NECESSARILY MANUFACTURED BY THE ORIGINAL EQUIPMENT MANUFACTURER AND ANY REFERENCE TO THE TRADEMARKS OR PART NUMBERS OF OTHERS ARE FOR CROSS REFERENCE INFORMATIONAL PURPOSES ONLY. THE TRADEMARKS OF OTHERS REFERRED TO HEREIN ARE OWNED BY THEIR RESPECTIVE COMPANIES AND ARE NOT AFFILIATED IN ANY WAY WITH MIDWEST TRUCK & AUTO PARTS, INC.® MOTIVE GEAR® AND WORLD AMERICAN® ARE THE REGISTERED TRADEMARKS OF MIDWEST TRUCK & AUTO PARTS, INC.® USE OF THE ® IN CONNECTION WITH A MARK OF MIDWEST TRUCK & AUTO PARTS, INC.® INDICATES THAT THE MARK IS REGISTERED IN AT LEAST THE UNITED STATES. NO REPRESENTATION IS MADE WITH RESPECT TO THE SOURCE OF MANUFACTURE OF ANY PARTICULAR PART. © 2005, MIDWEST TRUCK & AUTO PARTS, INC.® ALL RIGHTS RESERVED.

EATON®

MODELS: 15040S - 19050S - 19055S - 21065S - 22065S (Cont'd)

MODELS

MODEL: 15040S
Drive Pinion Spline - 34, 1.750" Dia.

<u>RATIO</u>	<u>PART#</u>	<u>TEETH COUNT</u>
3.36	122347	37-11
3.55	122348	39-11
3.70	122349	37-10
3.90	122350	39-10
4.11	122231	37-9
4.33	122232	39-9
4.63	122351	37-9
4.88	121738	39-8
5.29	121739	37-7
5.57	122331	39-7
5.83	121740	35-6
6.17	121741	37-6
6.50	122019	39-6
7.17	121742	43-6

MODEL: 19050S
Drive Pinion Spline - 34, 1.750" Dia.

<u>RATIO</u>	<u>PART#</u>	<u>TEETH COUNT</u>
3.36	122017	37-11
3.55	122014	39-11
3.70	122016	37-10
3.90	121755	39-10
4.11	121756	37-9
4.33	121757	39-9
4.63	121758	37-8
4.88	121759	39-8
5.29	121760	37-7
5.57	121761	39-7
5.83	121762	35-6
6.17	121763	37-6
6.50	121764	39-6
7.17	121765	43-6

**MODEL: 19055S - 19055D - 21065S -
21065D - 22065S - 22065D**
Drive Pinion Spline - 39, 2.000" Dia.

<u>RATIO</u>	<u>PART#</u>	<u>TEETH COUNT</u>
3.08	122352	37-12
3.25	122353	39-12
3.36	122354	37-11
3.55	122355	39-11
3.70	122211	37-10
3.90	121775	39-10
4.11	122209	37-9
4.33	122109	39-9
4.63	122099	37-8
4.88	121776	39-8
5.29	121777	37-7
5.57	121778	39-7
5.83	122018	35-6
6.17	121779	37-6
6.50	121780	39-6
7.17	121781	43-6

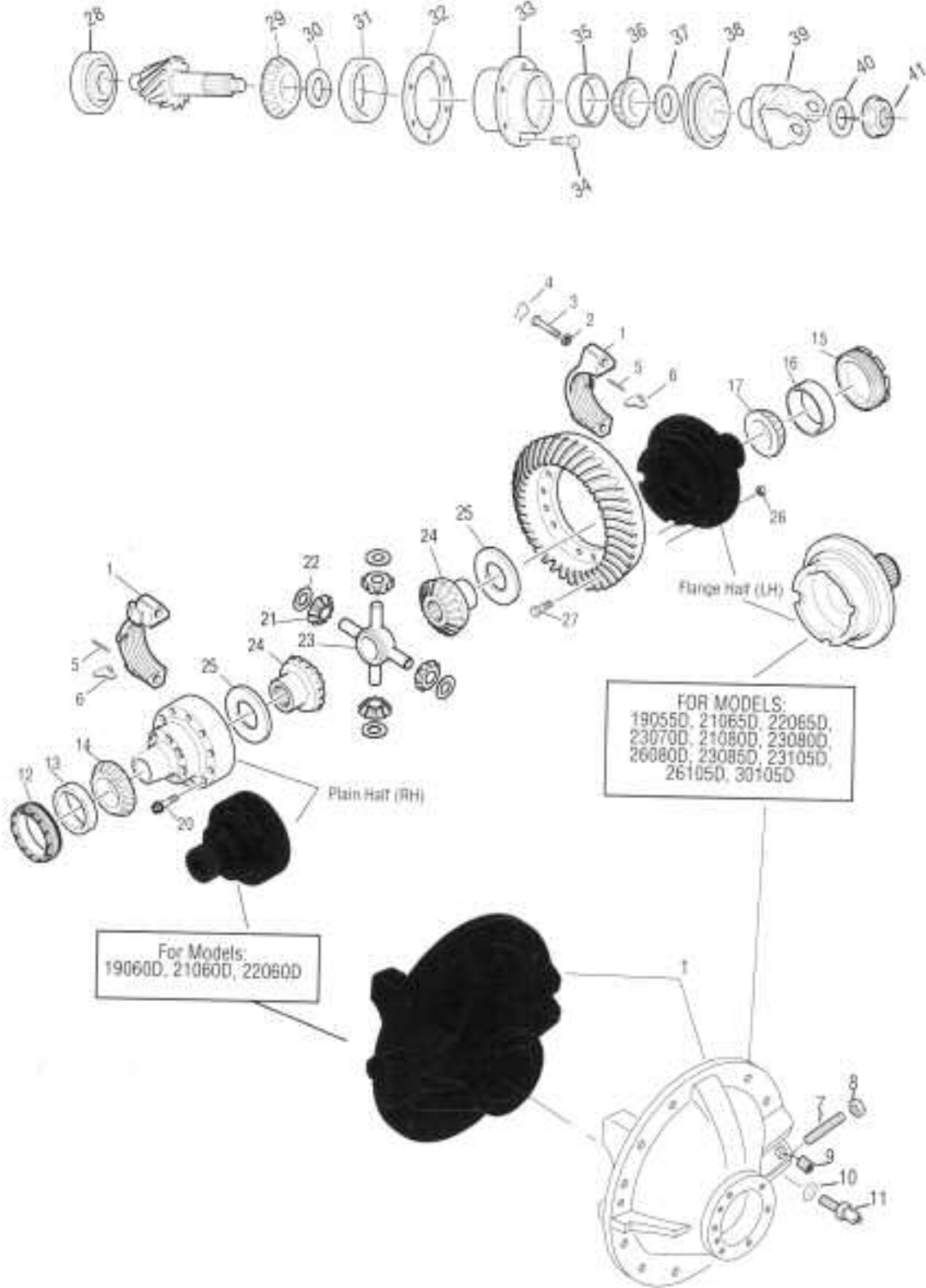
NLA = No Longer Available

NSS = Not Sold Separately

PARTS LISTED IN THIS CATALOG ARE NOT NECESSARILY MANUFACTURED BY THE ORIGINAL EQUIPMENT MANUFACTURER AND ANY REFERENCE TO THE TRADEMARKS OR PART NUMBERS OF OTHERS ARE FOR CROSS REFERENCE INFORMATIONAL PURPOSES ONLY. THE TRADEMARKS OF OTHERS REFERRED TO HEREIN ARE OWNED BY THEIR RESPECTIVE COMPANIES AND ARE NOT AFFILIATED IN ANY WAY WITH MIDWEST TRUCK & AUTO PARTS, INC.® MOTIVE GEAR® AND WORLD AMERICAN® ARE THE REGISTERED TRADEMARKS OF MIDWEST TRUCK & AUTO PARTS, INC.® USE OF THE ® IN CONNECTION WITH A MARK OF MIDWEST TRUCK & AUTO PARTS, INC.® INDICATES THAT THE MARK IS REGISTERED IN AT LEAST THE UNITED STATES. NO REPRESENTATION IS MADE WITH RESPECT TO THE SOURCE OF MANUFACTURE OF ANY PARTICULAR PART. © 2005, MIDWEST TRUCK & AUTO PARTS, INC.® ALL RIGHTS RESERVED.

EATON®

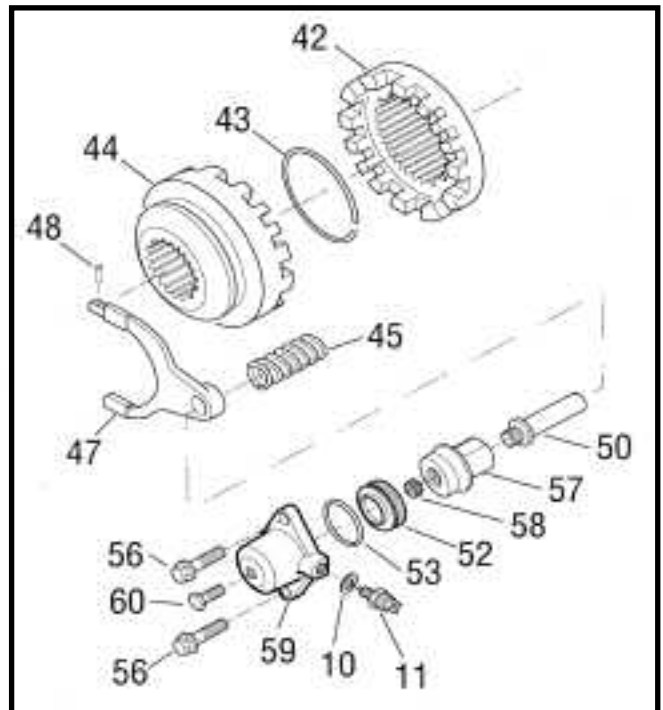
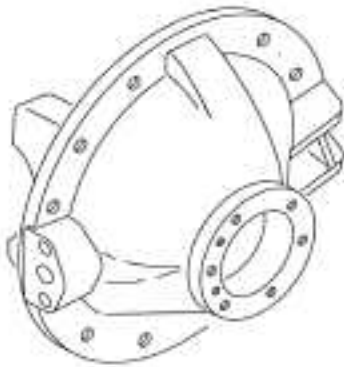
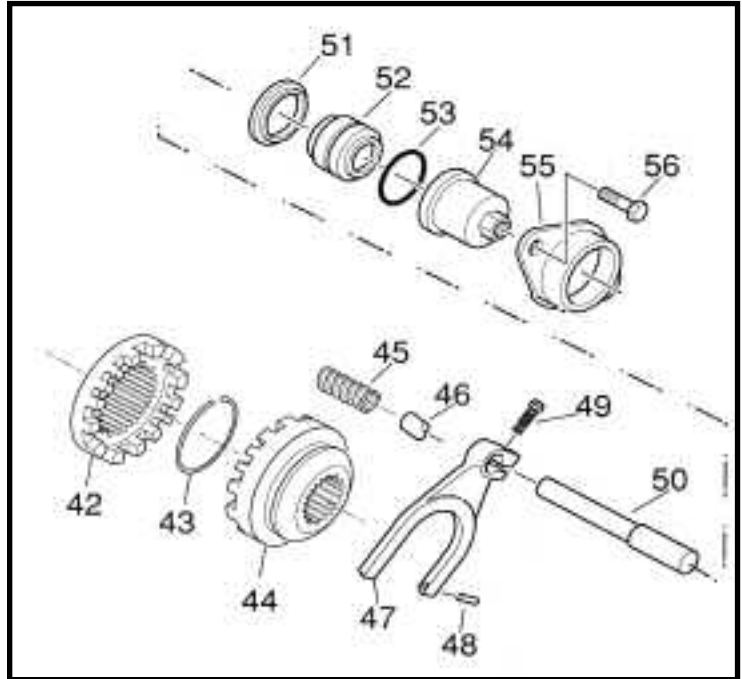
MODELS: 19055D - 19060D - 21060D - 21065D - 21080D - 22060D - 22065D -
23070D - 23080D 23085D - 23105D - 26080D



PARTS LISTED IN THIS CATALOG ARE NOT NECESSARILY MANUFACTURED BY THE ORIGINAL EQUIPMENT MANUFACTURER AND ANY REFERENCE TO THE TRADEMARKS OR PART NUMBERS OF OTHERS ARE FOR CROSS REFERENCE INFORMATIONAL PURPOSES ONLY. THE TRADEMARKS OF OTHERS REFERRED TO HEREIN ARE OWNED BY THEIR RESPECTIVE COMPANIES AND ARE NOT AFFILIATED IN ANY WAY WITH MIDWEST TRUCK & AUTO PARTS, INC.® MOTIVE GEAR® AND WORLD AMERICAN® ARE THE REGISTERED TRADEMARKS OF MIDWEST TRUCK & AUTO PARTS, INC.® USE OF THE ® IN CONNECTION WITH A MARK OF MIDWEST TRUCK & AUTO PARTS, INC.® INDICATES THAT THE MARK IS REGISTERED IN AT LEAST THE UNITED STATES. NO REPRESENTATION IS MADE WITH RESPECT TO THE SOURCE OF MANUFACTURE OF ANY PARTICULAR PART. © 2005, MIDWEST TRUCK & AUTO PARTS, INC.® ALL RIGHTS RESERVED.

EATON®

MODELS: 19055D - 19060D - 21060D - 21065D - 21080D - 22060D - 22065D -
23070D - 23080D 23085D - 23105D - 26080D (Cont'd)



PARTS LISTED IN THIS CATALOG ARE NOT NECESSARILY MANUFACTURED BY THE ORIGINAL EQUIPMENT MANUFACTURER AND ANY REFERENCE TO THE TRADEMARKS OR PART NUMBERS OF OTHERS ARE FOR CROSS REFERENCE INFORMATIONAL PURPOSES ONLY. THE TRADEMARKS OF OTHERS REFERRED TO HEREIN ARE OWNED BY THEIR RESPECTIVE COMPANIES AND ARE NOT AFFILIATED IN ANY WAY WITH MIDWEST TRUCK & AUTO PARTS, INC.® MOTIVE GEAR® AND WORLD AMERICAN® ARE THE REGISTERED TRADEMARKS OF MIDWEST TRUCK & AUTO PARTS, INC.® USE OF THE ® IN CONNECTION WITH A MARK OF MIDWEST TRUCK & AUTO PARTS, INC.® INDICATES THAT THE MARK IS REGISTERED IN AT LEAST THE UNITED STATES. NO REPRESENTATION IS MADE WITH RESPECT TO THE SOURCE OF MANUFACTURE OF ANY PARTICULAR PART. © 2005, MIDWEST TRUCK & AUTO PARTS, INC.® ALL RIGHTS RESERVED.

EATON®

**MODELS: 19055D - 19060D - 21060D - 21065D - 21080D - 22060D - 22065D -
23070D - 23080D 23085D - 23105D - 26080D**

ITEM NO.	PART NAME	QTY PER AXLE	19060D 21060D 22060D	19055D 21065D 22065D	23070D	23085D 21080D 23080D 26080D	23105D	
	BASIC OVERHAUL KIT	1	217464	121769	121784	213744	123297	
1	DIFF. CARRIER & BEARING CAPS DIFF. CARR. & CAPS 23105D - (BEFORE 12/07/92)	1	217362	211313	210701	210701	123293	
	CARRIER CASTING NO. (NSS) CARRIER CASTING NO. (BEFORE 5/5/93)	1	128601	126838	210697	210697	128376	
2	FLAT WASHER	4	210288	210288	210288	210288	32912	
3	BEARING CAP SCREW	4		210095	210095	210095	127180	
4	LOCKWIRE						12563	
5	COTTER PIN - RH	1	90873	90873	90873	90873	90876	
	COTTER PIN - LH	1	90873	210464	210464	210464	90876	
6	BEARING CAP ADJUSTER LOCK - RH						14275	
	BEARING CAP ADJUSTER LOCK - LH						126979	
7	RING GEAR THRUST SCREW	1		126193	126193	126193	126193	
8	THRUST SCREW JAM NUT	1		210184	210184	210184	210184	
9	PIPE PLUG	1		90325	90325	90325	90325	
10	WASHER	1	126618	126618	126618	126618	126618	
11	SWITCH	1	210280	210280	210280	210280	210280	
12	DIFF. BEARING ADJUSTER - RH	1	128616	210179	210179	210179	113885	
13	DIFF. BEARING CUP - RH	1	43584	493	493	493	JM822010	
14	DIFF. BEARING CONE - RH	1	42362	497	497	497	JM822049	
15	DIFF. BEARING ADJUSTER - LH	1	127410	210286	210286	210286	126729	
16	DIFF. BEARING CUP - LH	1	563	592A	592A	592A	126924	
17	DIFF. BEARING CONE - LH	1	567	598	598	598	56425	
	WHEEL DIFF. CASE KIT	1	IDENTIFY BY RATIO ITEMS 18, 19 & 20 INCL. IN KIT.					
	3.08 - 3.70				212007	212007		
	3.90 - 4.33				212008	212008		
	4.63 - 6.50				212009			
	3.08 - 3.90						123294	
	4.11 - 4.33						123295	
	4.63 - 6.14						123296	
	3.08 - 3.55			122117				
	3.70 - 4.33			122118				
	4.63 - 7.17			122119				
	2.64 - 3.25		217166					
	3.36 - 3.90		217167					
	4.11 - 4.88		217168					
	5.29 - 6.50		217169					
18	DIFF. CASE (FLANGE HALF) (NSS)							
	3.08 - 3.70				126858	126858		
	3.90 - 4.33				126859	126859		
	4.63 - 6.50				126860			
	3.08 - 3.90						126723	
	4.11 - 4.33						126722	
	4.63 - 6.14						126721	
	3.08 - 3.55			126844				
	3.70 - 4.33			126845				
	4.63 - 7.17			126846				
	2.64 - 3.25		127585					
	3.36 - 3.90		127586					
	4.11 - 4.88		127574					
	5.29 - 6.50		127575					
19	DIFF. CASE (PLAIN HALF) (NSS)	1	128607	210017	210507	210507	113864	
20	DIFF. CASE CAP SCREW	12	128619	210091	210513	210513	88503	
	WHEEL DIFF. KIT	1			121785	121785	114472	
	19055D			114469				
	21/22065D			114470				
	19060D	1	217461					

NLA = No Longer Available
NSS = Not Sold Separatel

PARTS LISTED IN THIS CATALOG ARE NOT NECESSARILY MANUFACTURED BY THE ORIGINAL EQUIPMENT MANUFACTURER AND ANY REFERENCE TO THE TRADEMARKS OR PART NUMBERS OF OTHERS ARE FOR CROSS REFERENCE INFORMATIONAL PURPOSES ONLY. THE TRADEMARKS OF OTHERS REFERRED TO HEREIN ARE OWNED BY THEIR RESPECTIVE COMPANIES AND ARE NOT AFFILIATED IN ANY WAY WITH MIDWEST TRUCK & AUTO PARTS, INC.® MOTIVE GEAR® AND WORLD AMERICAN® ARE THE REGISTERED TRADEMARKS OF MIDWEST TRUCK & AUTO PARTS, INC.® USE OF THE ® IN CONNECTION WITH A MARK OF MIDWEST TRUCK & AUTO PARTS, INC.® INDICATES THAT THE MARK IS REGISTERED IN AT LEAST THE UNITED STATES. NO REPRESENTATION IS MADE WITH RESPECT TO THE SOURCE OF MANUFACTURE OF ANY PARTICULAR PART. © 2005, MIDWEST TRUCK & AUTO PARTS, INC.® ALL RIGHTS RESERVED.

EATON®

**MODELS: 19055D - 19060D - 21060D - 21065D - 21080D - 22060D - 22065D -
23070D - 23080D 23085D - 23105D - 26080D (Cont'd)**

ITEM NO.	PART NAME	QTY PER AXLE	19060D 21060D 22060D	19055D 21065D 22065D	23070D	23085D 21080D 23080D 26080D	23105D
WHEEL DIFF. CASE KIT (CONTINUED)							
20	21060D	1	216229				
	22060D	1	217462				
21	SIDE PINION	4	127364	104139	108142	108142	86780
22	SIDE PINION THRUST WASHER	4	127369	27810	108145	108145	86781
	RING GEAR BOLT & NUT KIT	1	219704	121772	121790	121790	119802
23	SPIDER	1	127359	38289	210572	210572	86778
	RING GEAR & DRIVE PINION SET	1					
	WHEEL DIFF. LESS SIDE GEAR KIT	1	216228	118748	121786	121786	118749
24	DIFF. SIDE GEAR						
	33 INVOLUTE SPLINES 22060D	2	127366				
	34 INVOLUTE SPLINES	2					
	36 INVOLUTE SPLINES	2			118959	118959	93401
	39 INVOLUTE SPLINES 19055D OR 19060D	2	127367	110525			
	41 INVOLUTE SPLINES 21/22065D OR 21060D	2	127368	110527			
25	SIDE GEAR THRUST WASHER	2	127386	27827	83726	83726	27274
26	NUT	16	126216	126216	126215	126215	84497
27	BOLT	16	126219	126220	126221	126221	113888
28	PINION PILOT BEARING	1	MUB7307UM	MUS13087M	1MUS13087M	127826	MUS1308TM
29	PINION BEARING CONE (INNER)	1	72212C	78215C	H913842	126286	126286
30	PINION BEARING SPACER	AR		CALL YOUR SALES REP			
31	PINION BEARING CUP (INNER)	1	72487	78551	210474	126287	126287
32	PINION BEARING CAGE SHIMS	AR					
	.003"		127595	67920	113876	113876	113876
	.005"		127596	67921	113877	113877	113877
	.010"		127597	67922	113878	113878	113878
	.020"		127598	67923	113879	113879	113879
	.030"		127599	67924	113880	113880	113880
	PINION BEARING CAGE & CUP ASSY	1	127600	210011	210511	127843	126290
33	CAGE (NSS)	1	127481	210010	210510	127844	126289
34	BEARING CAGE CAP SCREW	6	210115	210094	210094	210094	113867
35	PINION BEARING CUP (OUTER)	1	55437	55437	72487	HM813810	HM813810
36	PINION BEARING CONE (OUTER)	1	127535	55200C	72212C	HM813841	HM813841
37	INPUT YOKE SPACER			CALL YOUR SALES REP			
38	PINION OIL SEAL	1	127591	9773	210724	210724	210724
	OIL SEAL & SHIM KIT	1	216225	121773	119796	119796	119796
39	INPUT YOKE	1		CALL YOUR SALES REP			
40	WASHER	1		210509			
41	PINION NUT FLANGED-LOCKNUT	1	127589	127589	210508	128049	95262
42	FIXED CURVIC CLUTCH	1	128627	126841	126841	126841	127810
43	FIXED CURVIC CLUTCH SNAP RING	1	210299	210299	210299	210299	126728
44	SLIDING CURVIC CLUTCH	1			127211	127211	127811
	19055D	1		127210			
	21065D/22065D	1		126840			
	SLIDING CURVIC CLUTCH GEAR 21060D/19060D		126840				
	SLIDING CURVIC CLUTCH GEAR 22060D		128926				
45	COMPRESSION SPRING	1	128614	31038	31038	31038	31038
46	SWITCH ACTUATOR	1		210279	210279	210279	210279
47	SHIFT FORK (NSS)	1	128611	126842	126842	126842	128379
	SHIFT FORK (NSS) 23105D BEFORE 12/7/92						126726
	SHIFT FORK SUB-ASSEMBLY INCL. 47, 48 & 49	1	217465	219456	219456	219456	219457
48	SHIFT FORK SPRING PIN	1	210020	210020	210020	210020	210020

NLA = No Longer Available
NSS = Not Sold Separately

PARTS LISTED IN THIS CATALOG ARE NOT NECESSARILY MANUFACTURED BY THE ORIGINAL EQUIPMENT MANUFACTURER AND ANY REFERENCE TO THE TRADEMARKS OR PART NUMBERS OF OTHERS ARE FOR CROSS REFERENCE INFORMATIONAL PURPOSES ONLY. THE TRADEMARKS OF OTHERS REFERRED TO HEREIN ARE OWNED BY THEIR RESPECTIVE COMPANIES AND ARE NOT AFFILIATED IN ANY WAY WITH MIDWEST TRUCK & AUTO PARTS, INC.® MOTIVE GEAR® AND WORLD AMERICAN® ARE THE REGISTERED TRADEMARKS OF MIDWEST TRUCK & AUTO PARTS, INC.® USE OF THE ® IN CONNECTION WITH A MARK OF MIDWEST TRUCK & AUTO PARTS, INC.® INDICATES THAT THE MARK IS REGISTERED IN AT LEAST THE UNITED STATES. NO REPRESENTATION IS MADE WITH RESPECT TO THE SOURCE OF MANUFACTURE OF ANY PARTICULAR PART. © 2005, MIDWEST TRUCK & AUTO PARTS, INC.® ALL RIGHTS RESERVED.

EATON®

MODELS: 19055D - 19060D - 21060D - 21065D - 21080D - 22060D - 22065D -
23070D - 23080D 23085D - 23105D - 26080D (Cont'd)

ITEM NO.	PART NAME	QTY PER AXLE	19060D	19055D	23070D	23085D	23105D
			21060D	21065D		21080D	
49	SHIFT FORK CAP SCREW	1		210191	210191	210191	210191
50	PUSH ROD	1	128617	210277	210277	210277	210277
51	SHOULDER WASHER	1		210452	210452	210452	210452
52	PISTON	1	128624	210278	210278	210278	210278
53	O-RING	1	210180	210180	210180	210180	210180
54	SHIFT CYLINDER BODY	1		210640	210640	210640	210640
	DIFF. LOCK SHIFT CYL. ASSY	1		126806	126806	126806	126806
	MOUNTING BRACKET (NSS)	1		127675	127675	127675	127675
56	BRACKET CAP SCREW	2	128744	210182	210182	210182	210182
57	PISTON DRIVER		128640				
58	SET SCREW		128618				
59	PISTON COVER		128612				
60	CAPSCREW		128274				
61	GASKET COMPOUND		107276	107276	107276	107276	107276

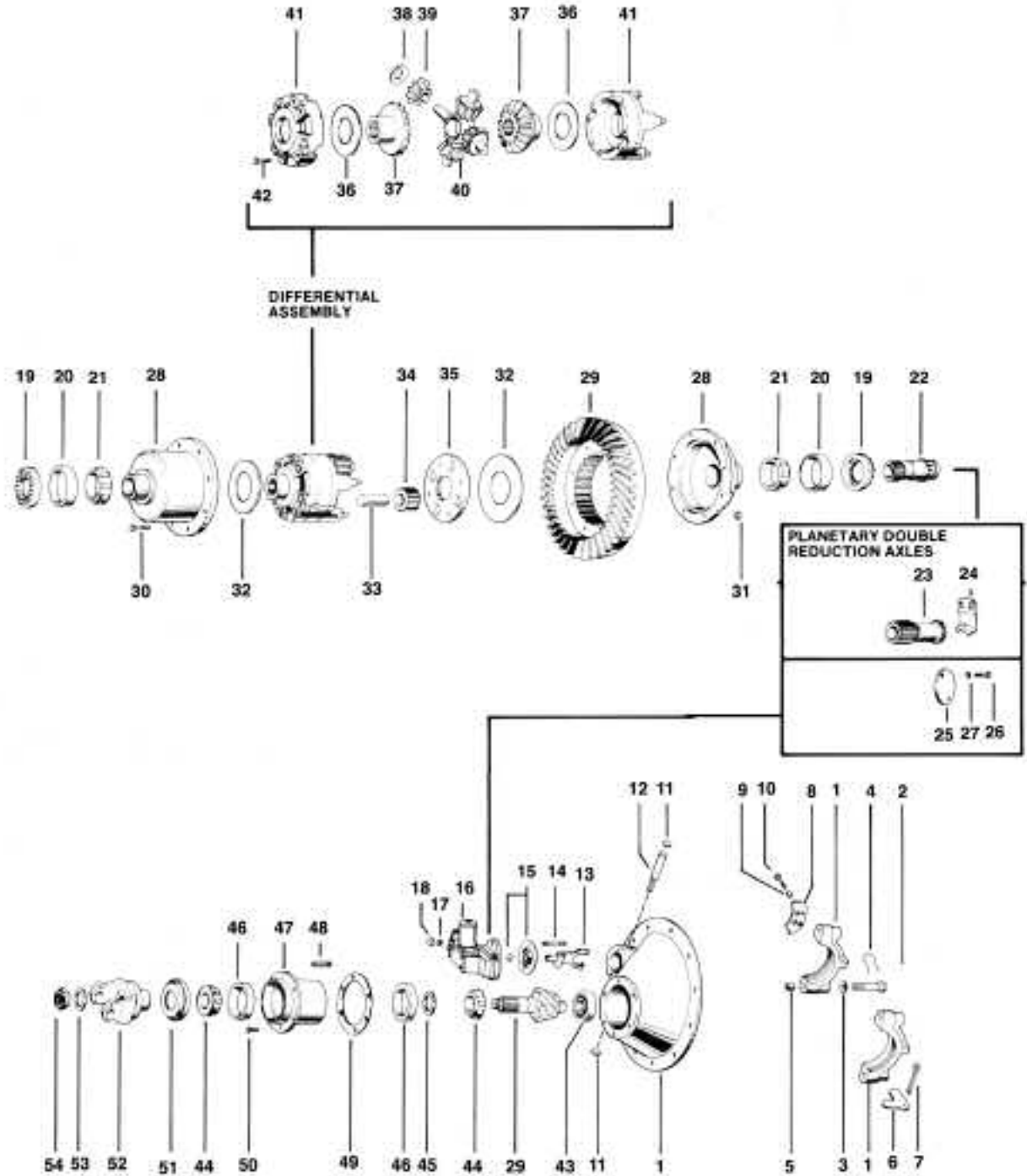
**MODEL: 19055S - 19055D - 21065S -
21065D - 22065S - 22065D
Drive Pinion Splines - 39, 2.000" Dia.**

RATIO	PART#	TEETH COUNT
3.08	122352	37-12
3.25	122353	39-12
3.36	122354	37-11
3.55	122355	39-11
3.70	122211	37-10
3.90	121775	39-10
4.11	122209	37-9
4.33	122109	39-9
4.63	122099	37-8
4.88	121776	39-8
5.29	121777	37-7
5.57	121778	39-7
5.83	122018	35-6
6.17	121779	37-6
6.50	121780	39-6
7.17	121781	43-6

PARTS LISTED IN THIS CATALOG ARE NOT NECESSARILY MANUFACTURED BY THE ORIGINAL EQUIPMENT MANUFACTURER AND ANY REFERENCE TO THE TRADEMARKS OR PART NUMBERS OF OTHERS ARE FOR CROSS REFERENCE INFORMATIONAL PURPOSES ONLY. THE TRADEMARKS OF OTHERS REFERRED TO HEREIN ARE OWNED BY THEIR RESPECTIVE COMPANIES AND ARE NOT AFFILIATED IN ANY WAY WITH MIDWEST TRUCK & AUTO PARTS, INC.® MOTIVE GEAR® AND WORLD AMERICAN® ARE THE REGISTERED TRADEMARKS OF MIDWEST TRUCK & AUTO PARTS, INC.® USE OF THE ® IN CONNECTION WITH A MARK OF MIDWEST TRUCK & AUTO PARTS, INC.® INDICATES THAT THE MARK IS REGISTERED IN AT LEAST THE UNITED STATES. NO REPRESENTATION IS MADE WITH RESPECT TO THE SOURCE OF MANUFACTURE OF ANY PARTICULAR PART. © 2005, MIDWEST TRUCK & AUTO PARTS, INC.® ALL RIGHTS RESERVED.

EATON®

MODELS: 15040T/P - 19050T/P - 19055T/P - 21065T/P - 22065TP



PARTS LISTED IN THIS CATALOG ARE NOT NECESSARILY MANUFACTURED BY THE ORIGINAL EQUIPMENT MANUFACTURER AND ANY REFERENCE TO THE TRADEMARKS OR PART NUMBERS OF OTHERS ARE FOR CROSS REFERENCE INFORMATIONAL PURPOSES ONLY. THE TRADEMARKS OF OTHERS REFERRED TO HEREIN ARE OWNED BY THEIR RESPECTIVE COMPANIES AND ARE NOT AFFILIATED IN ANY WAY WITH MIDWEST TRUCK & AUTO PARTS, INC.® MOTIVE GEAR® AND WORLD AMERICAN® ARE THE REGISTERED TRADEMARKS OF MIDWEST TRUCK & AUTO PARTS, INC.® USE OF THE ® IN CONNECTION WITH A MARK OF MIDWEST TRUCK & AUTO PARTS, INC.® INDICATES THAT THE MARK IS REGISTERED IN AT LEAST THE UNITED STATES. NO REPRESENTATION IS MADE WITH RESPECT TO THE SOURCE OF MANUFACTURE OF ANY PARTICULAR PART. © 2005, MIDWEST TRUCK & AUTO PARTS, INC.® ALL RIGHTS RESERVED.

EATON®

MODELS: 15040T/P - 19050T/P - 19055T/P - 21065T/P - 22065T/P

ITEM NO.	PART NAME	QTY PER AXLE	15040T 15040P	19050T 19050P	19055T, 19055P 21065T, 21065P 22065T, 22065P	REMARKS
	Bearing, Seal & Gasket Kit	1	RA24R	RA24R	110635	
1	Diff. Carrier & Bearing Caps Carrier Casting No (NSS)	1	76929 113641	85995 113643	109365 107493	Includes 1-5, 11-12, 14-15, 17-18, 25 & RTV
2	Bearing Capscrew	2	90036	14970	32732	
	Bearing Capscrew	2	90036	127181	32732	
3	Flat Washer	4	-----	-----	32912	
4	Lockwire	4	12563	90536	90538	Qty 2
5	Dowel Bushing	2	-----	-----	32730	
6	Bearing Adjuster Lock (RH)	1	90186	13377	13377	
7	Cotter Pin (RH)	1	90873	90873	90873	
8	Bearing Adjuster Lock (LH)	1	10602	14949	37745	
9	Dowel Bushing (LH)	2	-----	-----	37746	
10	Capscrew (LH)	2	126076	126076	210601	
11	Expansion Plug (Upper)	1	9797	9797	30703	
	Expansion Plug (Lower)	1	9797	9797	9797	
12	Shift Fork Shaft Assy	1	113800	113800	113801	
13	Shift Fork & Roller Assy	1	32326	32425	32613	
14	Shift Fork Mounting Stud	2	119863	119863	119863	2-Speed Only
15	Shift Fork Seal & Spring Assy	1	119855	119855	119855	2-Speed Only
16	Shift Unit Motor Only	1	40635	113745R		2-Speed Only
17	Lockwasher	2	119857	119857	119857	2-Speed Only
18	Stud Nut	2	63028	63028	63028	2-Speed Only
19	Diff. Bearing Adjuster (RH)	1	10524	110243	110243	
	Diff. Bearing Adjuster (LH)	1	74055	74022	56932	
20	Diff. Bearing Cup (RH)	1	33472	493	493	
	Diff. Bearing Cup (LH)	1	493	42584	56650	
21	Diff. Bearing Cone (RH)	1	33275	495A	497	
	Diff. Bearing Cone (LH)	1	498	42381	56425	
	SLIDING CLUTCH SERVICE KIT	1	98089	95371	60608	2-Speed Only Includes Items 19 (LH), 22, 32 (LH), 35
22	Sliding Clutch	1	113599	113629	113596	2-Speed Only
	SUN GEAR SERVICE KIT	1	-----	99552	62040	PDR Only Includes Items 19 (LH), 23, 32 (LH), 35
23	Sun Gear	1	113601	113631	113598	PDR Only
24	Sun Gear Retainer	1	45615	45325	43178	PDR Only
25	Shift Unit Opening Cover	1	45521	45521	45521	PDR Only
26	Capscrew	2	20807	20807	20807	PDR Only
27	Lockwasher	2	90415	90415	90415	PDR Only
28	Gear Support Case (RH)	1	20759	126009	110148	
	Gear Support Case (LH)	1	13385	27859	27838	
29	RING GEAR & DRIVE PINION SET	1	MATCHED PARTS: (SEE SEPARATE LISTING ON PAGE 12)			
	RING GEAR BOLT & NUT KIT	1	121448	121449	87955	Includes Items 30-31
30	Bolt	8	44355	44356	44358	+6 Bolts
31	Nut	8	60597	67592	60599	+6 Bolts
32	Gear Support Thrust Washer (RH)	1	20850	126004	27827	
	Gear Support Thrust Washer (LH)	1	43268	43269	43270	
33	Idler Pinion Pin	4	20821	126008	27861	
34	Idler Pinion	4	74057	27875	27835	
35	High Speed Clutch Plate	1	74056	74023	56931	
	WHEEL DIFF. CASE KIT	1	52112	121807	101878	Includes Items 41-42
36	Side Gear Thrust Washer	2	20850	126004	27827	
37	Diff. Side Gear	2				
	34 Involute Splines		110522			
	36 Involute Splines			126000		
	39 Involute Splines				110525	19055T/19055P
	41 Involute Splines				110527	21065T/P, 22065T/P

NSS = Not Sold Separately

PARTS LISTED IN THIS CATALOG ARE NOT NECESSARILY MANUFACTURED BY THE ORIGINAL EQUIPMENT MANUFACTURER AND ANY REFERENCE TO THE TRADEMARKS OR PART NUMBERS OF OTHERS ARE FOR CROSS REFERENCE INFORMATIONAL PURPOSES ONLY. THE TRADEMARKS OF OTHERS REFERRED TO HEREIN ARE OWNED BY THEIR RESPECTIVE COMPANIES AND ARE NOT AFFILIATED IN ANY WAY WITH MIDWEST TRUCK & AUTO PARTS, INC.® MOTIVE GEAR® AND WORLD AMERICAN® ARE THE REGISTERED TRADEMARKS OF MIDWEST TRUCK & AUTO PARTS, INC.® USE OF THE ® IN CONNECTION WITH A MARK OF MIDWEST TRUCK & AUTO PARTS, INC.® INDICATES THAT THE MARK IS REGISTERED IN AT LEAST THE UNITED STATES. NO REPRESENTATION IS MADE WITH RESPECT TO THE SOURCE OF MANUFACTURE OF ANY PARTICULAR PART. © 2005, MIDWEST TRUCK & AUTO PARTS, INC.® ALL RIGHTS RESERVED.

EATON®

MODELS: 15040T/P - 19050T/P - 19055T/P - 21065T/P - 22065T/P (Cont'd)

ITEM NO.	PART NAME	QTY PER AXLE	15040T 15040P	19050T 19050P	19055T, 19055P 21065T, 21065P 22065T, 22065P	REMARKS
	WHEEL DIFF. KIT	1	114467	121748	114469 114470	Includes Items 36-40 19055T/19055P 21065T/P, 22065T/P
38	Side Pinion Thrust Washer	4	25968	126003	27810	
39	Side Pinion	4	102512	126001	104139	
40	Spider	1	20766	126002	38289	
41	Diff. Case w/Clutchplate Pin	1	408237	126006	98182	NSS
	Diff. Case (LH)		71880	126005	96278	NSS
	Diff. Case (RH)	1	71881	126007	96279	NSS
42	Diff. Case Capscrew	8	109237	-----	96283	
	(Short)	4	-----	118739	-----	
	(Long)	8	-----	109238	-----	
	WHEEL DIFF. LESS SIDE GEAR KIT	1	118746	121749	118748	Includes Items 36, 38-40
43	Pinion Pilot Bearing	1	MU1305TDM	MU1305TDM	MUS1307UM	
44	Pinion Bearing Cone (Inner)	1	LM903249	55175C	72200C	
	Pinion Bearing Cone (Outer)	1	LM903249	55175C	55200C	
45	Pinion Bearing Spacer	AR	CALL YOUR SALES REP			
46	Pinion Bearing Cup (Inner)	1	HM903210	55437	72487	
	Pinion Bearing Cup (Outer)	1	HM903210	55437	55437	
47	Pinion Bearing Cage & Cup Assy	1	76897	75110	107496	Includes Item 46 & 48
	Case (NSS)		76896	75109	107495	
48	Bearing Cage Dowel Pin	1	90654	-----	-----	
49	Pinion Bearing Cage Shim	AR				
	.003"		75968	107567	107567	
	.005"		75969	107568	107568	
	.010"		75970	107569	107569	
	.020"		75971	107570	107570	
	.030"		75972	NLA	NLA	
50	Bearing Cage Capscrew	6	113325	113325	113325	
	OIL SEAL & SHIM KIT	1	121800	114104	115552	Includes Items 15, 49, 51 & RTV
51	Pinion Oil Seal	1	9773	9773	9773	
52	Input Yoke	1	CALL YOUR SALES REP			
53	Washer	1	210114	210114	210090	
54	Pinion Nut	1	210133	210133	210089	
	Gasket Compound	AR	107276	107276	107276	

RING GEAR & PINION KITS

MODEL: 15040T Drive Pinion Spline - 34, 1.750" Dia.

RATIO	PART#	TEETH COUNT
4.56/6.34	122011	(41-9)
5.14/7.16	121801	(36-7)
5.57/7.75	121802	(39-7)
5.86/8.15	121803	(41-7)
6.29/8.75	121804	(44-7)

MODEL: 19050T Drive Pinion Spline - 34, 1.750" Dia.

RATIO	PART#	TEETH COUNT
4.56/6.34	121545	(41-9)
4.88/6.78	121546	(39-8)
5.29/7.35	121547	(37-7)
5.57/7.75	121548	(39-7)
6.14/8.55	121549	(43-7)
6.57/9.14	121550	(46-7)
7.17/9.97	121551	(43-6)

MODEL: 19055T - 19055P - 21065T 21065P - 22065T - 22065P Drive Pinion Spline - 39, 2.000" Dia.

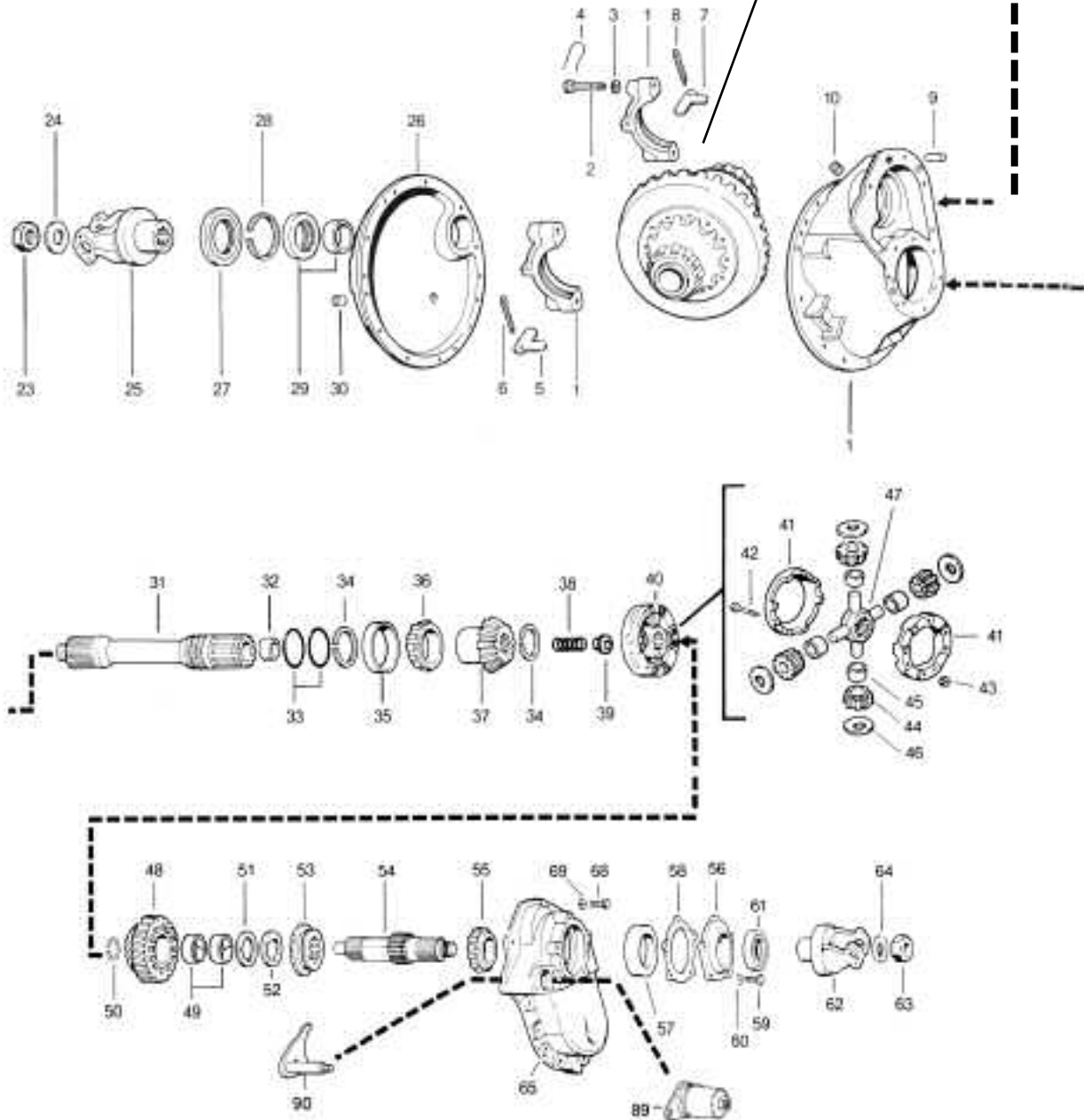
RATIO	PART#	TEETH COUNT
3.90/5.32	121956	(39-10)
4.11/5.61	121957	(37-9)
4.33/5.91	121810	(39-9)
4.63/6.31	122146	(37-8)
4.88/6.65	121811	(39-8)
5.29/7.21	121812	(37-7)
5.57/7.60	121813	(39-7)
6.17/8.41	121814	(37-6)
6.50/8.86	121815	(39-6)
7.17/9.77	121816	(43-6)

NLA = No Longer Available
NSS = Not Sold Separately

PARTS LISTED IN THIS CATALOG ARE NOT NECESSARILY MANUFACTURED BY THE ORIGINAL EQUIPMENT MANUFACTURER AND ANY REFERENCE TO THE TRADEMARKS OR PART NUMBERS OF OTHERS ARE FOR CROSS REFERENCE INFORMATIONAL PURPOSES ONLY. THE TRADEMARKS OF OTHERS REFERRED TO HEREIN ARE OWNED BY THEIR RESPECTIVE COMPANIES AND ARE NOT AFFILIATED IN ANY WAY WITH MIDWEST TRUCK & AUTO PARTS, INC.® MOTIVE GEAR® AND WORLD AMERICAN® ARE THE REGISTERED TRADEMARKS OF MIDWEST TRUCK & AUTO PARTS, INC.® USE OF THE ® IN CONNECTION WITH A MARK OF MIDWEST TRUCK & AUTO PARTS, INC.® INDICATES THAT THE MARK IS REGISTERED IN AT LEAST THE UNITED STATES. NO REPRESENTATION IS MADE WITH RESPECT TO THE SOURCE OF MANUFACTURE OF ANY PARTICULAR PART. © 2005, MIDWEST TRUCK & AUTO PARTS, INC.® ALL RIGHTS RESERVED.

EATON®

MODELS: DS341, DS402(P), DS451-P, DS381(P), DS401-P, DS340, DS380(P),
DS400-P, 34DS, 38DS

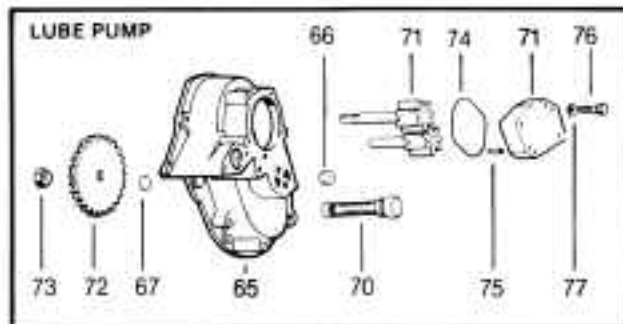
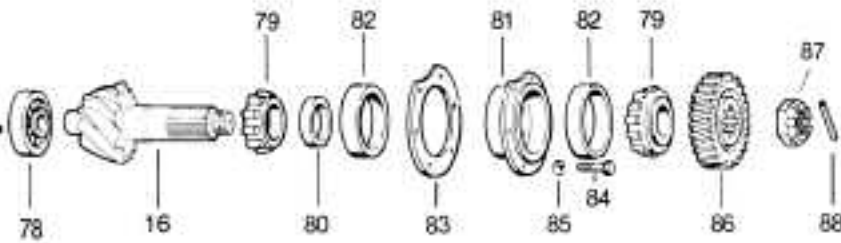
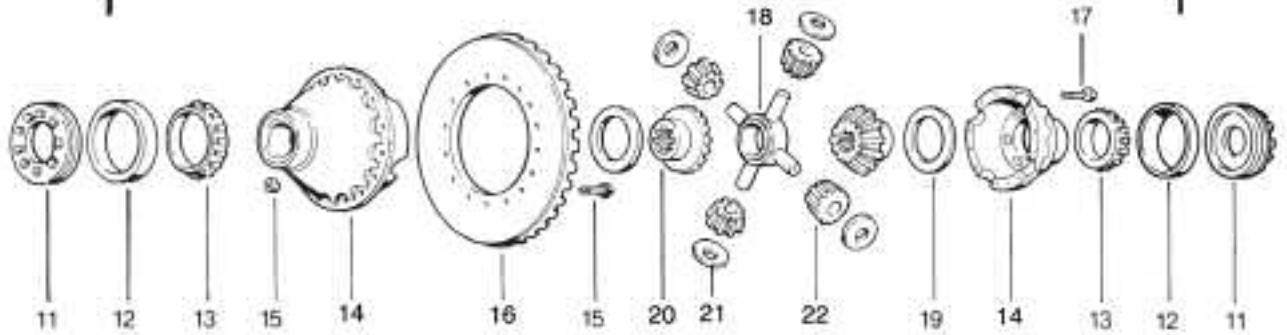


PARTS LISTED IN THIS CATALOG ARE NOT NECESSARILY MANUFACTURED BY THE ORIGINAL EQUIPMENT MANUFACTURER AND ANY REFERENCE TO THE TRADEMARKS OR PART NUMBERS OF OTHERS ARE FOR CROSS REFERENCE INFORMATIONAL PURPOSES ONLY. THE TRADEMARKS OF OTHERS REFERRED TO HEREIN ARE OWNED BY THEIR RESPECTIVE COMPANIES AND ARE NOT AFFILIATED IN ANY WAY WITH MIDWEST TRUCK & AUTO PARTS, INC.® MOTIVE GEAR® AND WORLD AMERICAN® ARE THE REGISTERED TRADEMARKS OF MIDWEST TRUCK & AUTO PARTS, INC.® USE OF THE ® IN CONNECTION WITH A MARK OF MIDWEST TRUCK & AUTO PARTS, INC.® INDICATES THAT THE MARK IS REGISTERED IN AT LEAST THE UNITED STATES. NO REPRESENTATION IS MADE WITH RESPECT TO THE SOURCE OF MANUFACTURE OF ANY PARTICULAR PART. © 2005, MIDWEST TRUCK & AUTO PARTS, INC.® ALL RIGHTS RESERVED.

EATON®

MODELS: DS341, DS402(P), DS451-P, DS381(P), DS401-P, DS340, DS380(P), DS400-P, 34DS, 38DS

DIFFERENTIAL & RING GEAR



PARTS LISTED IN THIS CATALOG ARE NOT NECESSARILY MANUFACTURED BY THE ORIGINAL EQUIPMENT MANUFACTURER AND ANY REFERENCE TO THE TRADEMARKS OR PART NUMBERS OF OTHERS ARE FOR CROSS REFERENCE INFORMATIONAL PURPOSES ONLY. THE TRADEMARKS OF OTHERS REFERRED TO HEREIN ARE OWNED BY THEIR RESPECTIVE COMPANIES AND ARE NOT AFFILIATED IN ANY WAY WITH MIDWEST TRUCK & AUTO PARTS, INC.® MOTIVE GEAR® AND WORLD AMERICAN® ARE THE REGISTERED TRADEMARKS OF MIDWEST TRUCK & AUTO PARTS, INC.® USE OF THE ® IN CONNECTION WITH A MARK OF MIDWEST TRUCK & AUTO PARTS, INC.® INDICATES THAT THE MARK IS REGISTERED IN AT LEAST THE UNITED STATES. NO REPRESENTATION IS MADE WITH RESPECT TO THE SOURCE OF MANUFACTURE OF ANY PARTICULAR PART. © 2005, MIDWEST TRUCK & AUTO PARTS, INC.® ALL RIGHTS RESERVED.

EATON®

**MODELS: DS341, DS402(P), DS451-P, DS381(P), DS401-P, DS340, DS380(P),
DS400-P, 34DS, 38DS**

ITEM NO.	PART NAME	QTY PER AXLE	DS341, DS402(P), DS451-P BUILT AFTER 4/6/89	DS381(P), DS402(P), DS401-P, DS451-P BUILT BEFORE 4/6/89	DS340, DS3L80(P), DS400-P NOTE 1	34DS 38DS
	Bearing, Seal & Gasket Kit	1	RA222FR	RA196R	RA193R	RA64FDR
1	Diff. Carrier & Bearing Caps Carrier Casting No. (NSS) 115690 includes Items 2-4, 9-10 120923, 120924 include Items 2-4, 9-10, 35-37	1	115690 128107	115690 128107	120924 128107 NOTE 2	120923 128107 NOTE 2
2	Bearing Capscrew	4	127179	127179	127179	127179
3	Flat Washer	4	26772	26772	26772	26772
4	Lockwire	4	-----	-----	90538	90538
5	Bearing Adjuster Lock (RH)	1	14275	14275	14275	14275
6	Cotter Pin (RH)	1	90876	90876	90876	90876
7	Bearing Adjuster Lock (LH)	1	13377	13377	13377	13377
8	Cotter Pin (LH)	1	90873	90873	90873	90873
9	Carrier Cover Dowel Pin	2	7641	7641	7641	7641
10	Filler Plug	1	90325	90325	90325	90325
11	Diff. Bearing Adjuster (RH)	1	31562	31562	31562	31562
	Diff. Bearing Adjuster (LH)	1	110243	110243	27842	27842
12	Diff. Bearing Cup (RH)	1	563	563	563	563
	Diff. Bearing Cup (LH)	1	493	493	493	493
13	Diff. Bearing Cone (RH)	1	567	567	567	567
	Diff. Bearing Cone (LH)	1	497	497	497	497
14	Diff. Case (Plain Half) (NSS)	1	210017	210017	210017	210017
	Diff. Case (Flanged Half) (NSS)	1				
	Ratios 3.08 & 3.25		127823	-----	-----	-----
	Ratios 3.36-5.29		103865	103865	103865	-----
	Ratios 5.57-7.17		88677	88677	88677	
	WHEEL DIFF. CASE KIT					
	Ratios 3.08 & 3.25	1	212202	-----	-----	-----
	Ratios 3.36 - 5.29	1	106397	106397	106397	-----
	Ratios 5.57 - 7.17	1	124374	124374	124374	-----
	Includes Items 16, 17 & 110243					
	Adjuster					
	12" O.D. - 1/2" Bolt	1	-----	-----	-----	96794
	Flanged Half 91114					
	11-1/2" O.D. - 1/2" Bolt	1	-----	-----	-----	96795
	Flanged Half 91116					
	5/8" Bolt	1	-----	-----	-----	124374
	Flanged Half 88677					
15	RING GEAR BOLT & NUT KIT (5/8")	1	70745	70745	70745	70745
	BOLT	16	67586	67586	67586	67586
	NUT	16	60600	60600	60600	60600
	RING GEAR BOLT & NUT KIT (1/2")	1	-----	-----	-----	69957
	Bolt	16	-----	-----	-----	69117
	Nut					
16	RING GEAR & DRIVE PINION SET		MATCHED PARTS: (SEE SEPARATE LISTING ON PAGE 19)			
17	Diff. Case Capscrew	12	96271	96271	96271	96271
18	Spider	1	38289	38289	38289	38289

NSS = Not Sold Separately

PARTS LISTED IN THIS CATALOG ARE NOT NECESSARILY MANUFACTURED BY THE ORIGINAL EQUIPMENT MANUFACTURER AND ANY REFERENCE TO THE TRADEMARKS OR PART NUMBERS OF OTHERS ARE FOR CROSS REFERENCE INFORMATIONAL PURPOSES ONLY. THE TRADEMARKS OF OTHERS REFERRED TO HEREIN ARE OWNED BY THEIR RESPECTIVE COMPANIES AND ARE NOT AFFILIATED IN ANY WAY WITH MIDWEST TRUCK & AUTO PARTS, INC.® MOTIVE GEAR® AND WORLD AMERICAN® ARE THE REGISTERED TRADEMARKS OF MIDWEST TRUCK & AUTO PARTS, INC.® USE OF THE ® IN CONNECTION WITH A MARK OF MIDWEST TRUCK & AUTO PARTS, INC.® INDICATES THAT THE MARK IS REGISTERED IN AT LEAST THE UNITED STATES. NO REPRESENTATION IS MADE WITH RESPECT TO THE SOURCE OF MANUFACTURE OF ANY PARTICULAR PART. © 2005, MIDWEST TRUCK & AUTO PARTS, INC.® ALL RIGHTS RESERVED.

EATON®

**MODELS: DS341, DS402(P), DS451-P, DS381(P), DS401-P, DS340, DS380(P),
DS400-P, 34DS, 38DS (Cont'd)**

ITEM NO.	PART NAME	QTY PER AXLE	DS341, DS402(P), DS451-P BUILT AFTER 4/6/89	DS381(P), DS402(P), DS401-P, DS451-P BUILT BEFORE 4/6/89	DS340, DS3L80(P), DS400-P NOTE 1	34DS 38DS
	WHEEL DIFF. SIDE GEAR, PINION KIT Includes Items 18-22 Models: 34, 340, 341 38, 380, 381, 402 400, 401, 451	1	114469 114470 98853	114469 114470 98853	98850 85358 98853	98850 85358 -----
	WHEEL DIFF. KIT LESS SIDE GEARS Includes Items 18-19, 21-22	1	118748	118748	118748	118748
19	Side Gear Thrust Washer	2	27827	27827	27827	27827
20	Diff. Side Gear Models:34, 340, 341 38, 380, 381, 402 400, 401, 451	2	110525 110527 85486	110525 110527 85486	37072 37069 85486	37072 37069 -----
21	Side Pinion Thrust Washer	4	27810	27810	27810	27810
		----- 16				
22	Side Pinion 104139 replaces 37071	4	104139	104139	104139	104139
23	Output Shaft Nut	1	127589*	95205	95205	95205
24	Flat Washer	1	4327	4327	4327	4327
25	Output Yoke	1		CALL YOUR SALES REP		
26	Axle Housing Cover Assy Includes Items 27-30 (Casting# 127708) Cover (127781 (NSS) 3/4" (Cover 127874) 1" (Cover 7749 (NSS) Rear Bearing Retaining Washer Not Illustrated	1	107320	107320	75336 46683	75336 77750 46583
27	Output Shaft Oil Seal	1	475003N	475003N		
28	Bearing Snap Ring	1	45516	45516	45516	45516
29	Output Shaft Bearing Bearing - Inner Race (NSS) Bearing - Outer Race (NSS)	1 1 1	MA1209EL 118789 118790	MA1209EL 118789 118790	MA1209EL 118789 118790	MA1209EL 118789 118790
30	Magnetic Filler Plug 3/4" 1" 1" Optional Hole Plug	1 1 1 1	----- 75130 77944 90898	----- 75130 77944 90898	54254 ----- ----- -----	54254 75130 ----- -----
31	OUTPUT SHAFT, NUT & BUSHING KIT Includes Items 23, 32-33; 115123 also includes Items 38-39 Shaft (NSS) 34 splines, 1.750" dia. Shaft (NSS) 10 splines, 1.750" dia.	1	115123 110818	115123 110818	98603 85441	98603 85441
32	Output Shaft Bushing	1	48922	48922	48922	48922
33	Output Shaft "O" Ring	2	46526	46526	46526	46526
34	Output Washer	1	85429	85429	85429	85429
35	Output Shaft Bearing Cup (Inner)	1	29620	29620	34492A	34492A
36	Output Shaft Bearing Cone (Inner)	1	29675	29675	34274	34274
37	Output Shaft Side Gear	1	110810	110810	85436	85909
38	Output Shaft Spring	1	51238	-----	-----	-----
39	Output Shaft Spring Thrust Bearing	1	51228	-----	-----	-----
40	Inter-axle Diff. Assy w/o Lube Pump w/Lube Pump Includes Items 41-47	1	104509** 213608	104509** 213608	104509** 213608	95213 -----

* Late Style - Use 127589 Metric Nut

** All Have Been Replaced by 213608

NSS = Not Sold Separately

PARTS LISTED IN THIS CATALOG ARE NOT NECESSARILY MANUFACTURED BY THE ORIGINAL EQUIPMENT MANUFACTURER AND ANY REFERENCE TO THE TRADEMARKS OR PART NUMBERS OF OTHERS ARE FOR CROSS REFERENCE INFORMATIONAL PURPOSES ONLY. THE TRADEMARKS OF OTHERS REFERRED TO HEREIN ARE OWNED BY THEIR RESPECTIVE COMPANIES AND ARE NOT AFFILIATED IN ANY WAY WITH MIDWEST TRUCK & AUTO PARTS, INC.® MOTIVE GEAR® AND WORLD AMERICAN® ARE THE REGISTERED TRADEMARKS OF MIDWEST TRUCK & AUTO PARTS, INC.® USE OF THE ® IN CONNECTION WITH A MARK OF MIDWEST TRUCK & AUTO PARTS, INC.® INDICATES THAT THE MARK IS REGISTERED IN AT LEAST THE UNITED STATES. NO REPRESENTATION IS MADE WITH RESPECT TO THE SOURCE OF MANUFACTURE OF ANY PARTICULAR PART. © 2005, MIDWEST TRUCK & AUTO PARTS, INC.® ALL RIGHTS RESERVED.

EATON®

MODELS: DS341, DS402(P), DS451-P, DS381(P), DS401-P, DS340, DS380(P),

ITEM NO.	PART NAME	QTY PER AXLE	DS341, DS402(P), DS451-P BUILT AFTER 4/6/89	DS381(P), DS402(P), DS401-P, DS451-P BUILT BEFORE 4/6/89	DS340, DS3L80(P), DS400-P NOTE 1	34DS 38DS
41	DIFF. CASE KIT	1				
	w/o Lube Pump	(NLA)	Order #40	Order #40	94810	91850
	w/Lube Pump	(NLA)	Order #40	Order #40	Order #40	-----
	Case Half (NSS)	2				
	w/o Lube Pump		102621	102621	102621	88029
	w/Lube Pump		127784	102621	102621	-----
42	Bolt*	8	85438	85438	85438	85438
43	Nut*	8	57637	57637	57637	57637
	DIFF SIDE PINION & SPIDER* Kit (Includes Items 44-47)	1				
	w/o Lube Pump		96381	96381	96381	96380
	w/Lube Pump		-----	96381	96381	-----
44	Side Pinion*	4				
	w/o Lube Pump		95214	95214	95214	95210
	w/Lube Pump		95214	95414	95214	-----
45	Side Pinion Bushing*	4				
	w/o Lube Pump		95215	95215	95215	95211
	w/Lube Pump		-----	95215	95215	-----
46	Side Pinion Thrust Washer*	4				
	w/o Lube Pump		85437	85437	85437	25968
	w/Lube Pump		127785	85437	85437	-----
47	Spider*	1				
	w/o Lube Pump		95216	95216	95216	95212
	w/Lube Pump		127783	95216	95216	-----
48	Helical Side Gear & Bushing Assy Includes Item 49	1	128042	128042	85432	45476
	Side Gear (NSS)		128028	128018	85431	45474
49	Helical Side Gear Bushing	2	85991	85991	85991	48921
50	Helical Side Gear Snap Ring	1	85997	85997	85997	46983
51	Helical Side Gear Thrust Washer	1	85429	85429	85429	45477
52	Helical Side Gear "D" Washer	1	45478	45478	45478	45478
53	Lockout Sliding Clutch	1	128016	128016	128016	128016
54	INPUT SHAFT, WASHER & NUT KIT Includes Items 52 & 63					
	Models w/o Lube Pump	1	115122	115122	103289	98693
	Shaft (NSS) 44 splines, 2.250" dia.		110823	110823		
	Shaft (NSS) 16 splines, 2.125" dia.				103283	
	Shaft (NSS) 10 splines, 1.969" dia.					88285
	Models w/Lube Pump	1	115126	115126	106709	-----
	Shaft (NSS) 44 splines, 2.250" dia.		110805	110805		
	Shaft (NSS) 16 splines, 2.125" dia.				102608	-----
55	Input Shaft Bearing Cone	1	3979	3979	JH307749	JM207049
56	Input Bearing Cover, Cup & Seal Assy Includes Items 57 & 61					
	Models w/o Lube Pump	1	211634	110826	85423	86813
	Cover (NSS)		110824	110824	85421	86811
	Models w/Lube Pump	1	211888	110808	102629	-----
	Cover (NSS)		110807	110807	102614	
57	Input Bearing Cup	1	JM511910	JM511910	JH307710	JM207010
58	Input Bearing Cover Shim	AR				
	.003		45498	45498	45498	45498
	.005		70709	70709	70709	70709
	.010		45499	45499	45499	45499
	.020		85406	85406	85406	86506
59	Bearing Cover Capscrew	5	113324	113324	113324	113324
60	Lockwasher	5	90414	90414	-----	-----
	OIL SEAL & SHIM KIT Includes Items 27, 58, 61, 83 & RV	1	114465	114465	114465	114465

* = PD kit has been updated use complete PD Kit 213608

** = Use Helical Conversion Kit 113561

NSS = Not Sold Separately

NLA = No Longer Available

PARTS LISTED IN THIS CATALOG ARE NOT NECESSARILY MANUFACTURED BY THE ORIGINAL EQUIPMENT MANUFACTURER AND ANY REFERENCE TO THE TRADEMARKS OR PART NUMBERS OF OTHERS ARE FOR CROSS REFERENCE INFORMATIONAL PURPOSES ONLY. THE TRADEMARKS OF OTHERS REFERRED TO HEREIN ARE OWNED BY THEIR RESPECTIVE COMPANIES AND ARE NOT AFFILIATED IN ANY WAY WITH MIDWEST TRUCK & AUTO PARTS, INC.® MOTIVE GEAR® AND WORLD AMERICAN® ARE THE REGISTERED TRADEMARKS OF MIDWEST TRUCK & AUTO PARTS, INC.® USE OF THE ® IN CONNECTION WITH A MARK OF MIDWEST TRUCK & AUTO PARTS, INC.® INDICATES THAT THE MARK IS REGISTERED IN AT LEAST THE UNITED STATES. NO REPRESENTATION IS MADE WITH RESPECT TO THE SOURCE OF MANUFACTURE OF ANY PARTICULAR PART. © 2005, MIDWEST TRUCK & AUTO PARTS, INC.® ALL RIGHTS RESERVED.

EATON®

**MODELS: DS341, DS402(P), DS451-P, DS381(P), DS401-P, DS340, DS380(P),
DS400-P, 34DS, 38DS (Cont'd)**

ITEM NO.	PART NAME	QTY PER AXLE	DS341, DS402(P), DS451-P BUILT AFTER 4/6/89	DS381(P), DS402(P), DS401-P, DS451-P BUILT BEFORE 4/6/89	DS340, DS3L80(P), DS400-P NOTE 1	34DS 38DS
61	Oil Seal - Input Bearing Spacer Not illustrated	1 1	127719 -----	127719 -----	127719 85427	127720 -----
62	Input Yoke			CALL YOUR SALES REP		
63	Input Shaft Nut	1	128049*	95207	95207	95206
64	Flat Washer	1	85404	85404	85404	56864
65	Diff. Carrier Cover Assy Models w/o Lube Pump	1	45481	45481	45481	45481
	Models w/Lube Pump Includes Items 66-67 Cover (NSS)	1	102627 102606	102627 102606	102627 102606	----- -----
66	Pipe Plug 1" Models w/Lube Pump	1	90325	90325	90325	-----
67	Expansion Plug Models w/Lube Pump	1	9797	9797	9797	-----
68	Carrier Cover Capscrew Models w/o Lube Pump (Long)	5	12063	12063	12063	12063
	(Short)	4	90069	90069	90069	90069
	Models w/Lube Pump (Long)	4	12063	12063	12063	-----
	(Short)	4	90069	90069	90069	-----
	(12 pt)	1	81855	81855	102605	-----
69	Lockwasher	9	90417	90417	90417	90417
70	Magnetic Filter Screen Models w/Lube Pump	1	102611	102611	102511	-----
71	LUBE PUMP REPLACEMENT KIT Models w/Lube Pump Includes Items 72-77	1	106368	106368	106368	-----
72	Pump Drive Gear	1	111448	111448	102609	-----
73	Drive Gear Locknut	1	111451	111451	63028	-----
	Drive Gear Woodruff Key Not Illustrated	1	-----	-----	81471	-----
74	Cover "O" Ring	1	102620	102620	102620	-----
75	Cover Dowel Pin	2	102617	102617	102617	-----
76	Cover Capscrew	4	102618	102618	102618	-----
77	Lockwasher	4	90419	90419	90419	-----
78	Pinion Pilot Bearing	1	MUSB7307UM	MUS1307UM	MUS1307UM	
79	Pinion Bearing Cone (Inner)	1	72218C	72218C	72218C	72200C
	Pinion Bearing Cone (Outer)	1	HM807049	HM807049	72200C	72200C
80	Pinion Bearing Spacer	AR		CALL YOUR SALES REP		
81	Pinion Bearing Cage & Cup Assy Includes Item 82	1				
	Ratios 3.55 & 3.70		110731	110731	107322	107322
	Cage (NSS)		110730	110730	107321	107321
	Ratios 3.08, 3.25, 3.35, 3.90-7.17		110733	110733	107324	107324
	Cage (NSS)		110732	110732	107323	107323
82	Pinion Bearing Cup (Inner)	1	72487	72487	72487	72487
	Pinion Bearing Cup (Outer)	1	HM807010	HM807010	72487	72487
83	Pinion Bearing Cage Shim	AR				
	.003"		45461	45461	45461	45461
	.005"		62829	62829	52829	62829
	.010"		45462	45462	45462	45462
	.020"		62830	62830	61830	62830
	.030"		45463	45463	45463	45463
84	Bearing Cage Capscrew	6	62158	62158	62158	62158
85	Lockwasher	6	37207	37207	37207	37207
86	Pinion Helical Gear	1	110845	110845		
	Ratios 3.70		-----	-----	46977	-----
	Other Ratios		-----	-----	74991	-----
	34/38DSB, C		-----	-----	-----	46977
	34/38DSD, E		-----	-----	-----	74991

* = Late Style - Use 128049 Metric Nut

NSS = Not Sold Separately

PARTS LISTED IN THIS CATALOG ARE NOT NECESSARILY MANUFACTURED BY THE ORIGINAL EQUIPMENT MANUFACTURER AND ANY REFERENCE TO THE TRADEMARKS OR PART NUMBERS OF OTHERS ARE FOR CROSS REFERENCE INFORMATIONAL PURPOSES ONLY. THE TRADEMARKS OF OTHERS REFERRED TO HEREIN ARE OWNED BY THEIR RESPECTIVE COMPANIES AND ARE NOT AFFILIATED IN ANY WAY WITH MIDWEST TRUCK & AUTO PARTS, INC.® MOTIVE GEAR® AND WORLD AMERICAN® ARE THE REGISTERED TRADEMARKS OF MIDWEST TRUCK & AUTO PARTS, INC.® USE OF THE ® IN CONNECTION WITH A MARK OF MIDWEST TRUCK & AUTO PARTS, INC.® INDICATES THAT THE MARK IS REGISTERED IN AT LEAST THE UNITED STATES. NO REPRESENTATION IS MADE WITH RESPECT TO THE SOURCE OF MANUFACTURE OF ANY PARTICULAR PART. © 2005, MIDWEST TRUCK & AUTO PARTS, INC.® ALL RIGHTS RESERVED.

EATON®

MODELS: DS341, DS402(P), DS451-P, DS381(P), DS401-P, DS340, DS380(P),
DS400-P, 34DS, 38DS (Cont'd)

ITEM NO.	PART NAME	QTY PER AXLE	DS341, DS402(P), DS451-P BUILT AFTER 4/6/89	DS381(P), DS402(P), DS401-P, DS451-P BUILT BEFORE 4/6/89	DS340, DS3L80(P), DS400-P NOTE 1	34DS 38DS
87	Slotted Pinion Nut	1	118806	118806	-----	-----
88	Roll Pin	1	118807	118807	-----	-----
	Slotted Nut	1	-----		95206	95206
89	Air-Operated Lockout Assy					
	Models w/Lube Pump	1		CALL YOUR SALES REP		
	Models w/o Lube Pump	1		CALL YOUR SALES REP		
90	Shift Fork & Push Rod Assy					
	Models w/Lube Pump	1	102613	102613	102613	-----
	Models w/o Lube Pump	1	45859	45859	45859	45859
	Gasket Compound	AR	107276	107276	107276	107276

* = Before 4/6/89 Use Late Style R & P & Late Pilot Bearing MUSB7307UM

RING GEAR & PINION KITS

34/38DS PINION SPLINE: 1 5/8" 10 SPLINE

RATIO	PART#	TEETH COUNT
3.70	95536	(37-10)
4.11	95537	(37-9)
4.33	95538	(39-9)
4.56	95539	(41-9)
4.88	95540	(39-8)
5.29	95541	(37-7)
5.57	95542	(39-7)
6.14	95543	(43-7)
6.50	95544	(39-6)
7.17	95545	(43-6)

FORWARD AXLES: DS341, 401, 402-P, 451-P. PINION SPLINE 41, 2.100" DIA.

RATIO	*BEFORE 4/6/89 PART#	AFTER 4/6/89 PART #	TEETH COUNT
	3.36	120761	
3.55	111174	127266	(39-11)
3.70	111175	127267	(37-10)
3.90	111176	127268	(39-10)
4.11	111177	127269	(37-9)
4.33	111178	127270	(39-9)
4.56	111179	127271	(41-9)
4.88	111180	127272	(39-8)
5.29	111181	127273	(37-7)
5.57	111182	127274	(39-7)
6.14	111183	127275	(43-7)
6.50	111184	127276	(39-6)
7.17	111185	127277	(43-6)

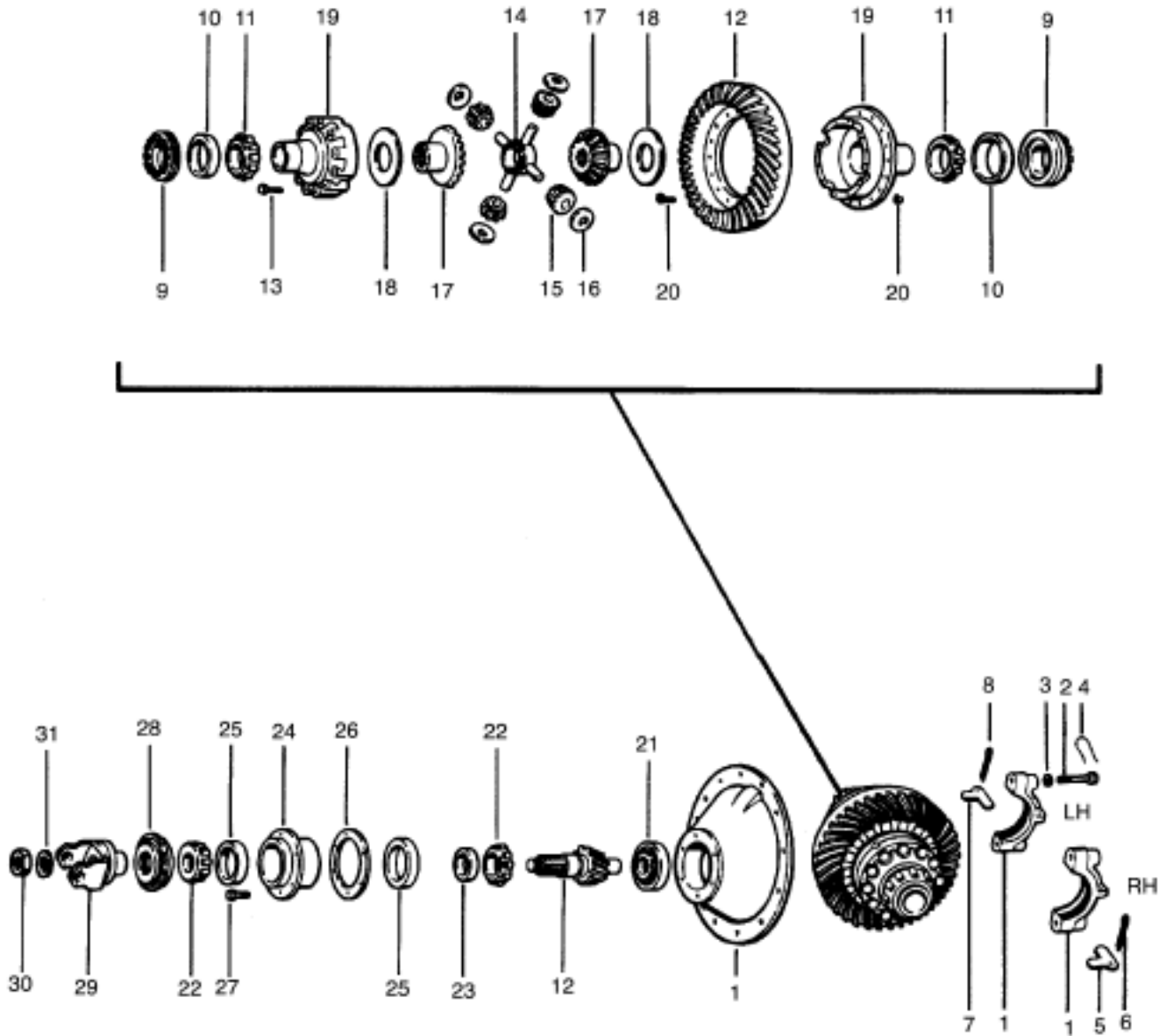
DS 340, 380, 400. PINION SPLINE: 1 5/8" 10 SPLINE

RATIO	PART#	TEETH COUNT
3.55	110862	(39-11)
3.70	95557	(37-10)
3.90	99745	(39-10)
4.11	95558	(37-9)
4.33	95559	(39-9)
4.56	95560	(41-9)
4.88	95561	(39-8)
5.29	95562	(37-7)
5.57	95563	(39-7)
6.14	95564	(43-7)
6.50	95565	(39-6)
7.17	95566	(43-6)

PARTS LISTED IN THIS CATALOG ARE NOT NECESSARILY MANUFACTURED BY THE ORIGINAL EQUIPMENT MANUFACTURER AND ANY REFERENCE TO THE TRADEMARKS OR PART NUMBERS OF OTHERS ARE FOR CROSS REFERENCE INFORMATIONAL PURPOSES ONLY. THE TRADEMARKS OF OTHERS REFERRED TO HEREIN ARE OWNED BY THEIR RESPECTIVE COMPANIES AND ARE NOT AFFILIATED IN ANY WAY WITH MIDWEST TRUCK & AUTO PARTS, INC.® MOTIVE GEAR® AND WORLD AMERICAN® ARE THE REGISTERED TRADEMARKS OF MIDWEST TRUCK & AUTO PARTS, INC.® USE OF THE ® IN CONNECTION WITH A MARK OF MIDWEST TRUCK & AUTO PARTS, INC.® INDICATES THAT THE MARK IS REGISTERED IN AT LEAST THE UNITED STATES. NO REPRESENTATION IS MADE WITH RESPECT TO THE SOURCE OF MANUFACTURE OF ANY PARTICULAR PART. © 2005, MIDWEST TRUCK & AUTO PARTS, INC.® ALL RIGHTS RESERVED.

EATON®

MODELS: RS341, 402(P), 451-P, 381(P), 401-P, 340, 380(P),
400-P, 34PS, 38PS



PARTS LISTED IN THIS CATALOG ARE NOT NECESSARILY MANUFACTURED BY THE ORIGINAL EQUIPMENT MANUFACTURER AND ANY REFERENCE TO THE TRADEMARKS OR PART NUMBERS OF OTHERS ARE FOR CROSS REFERENCE INFORMATIONAL PURPOSES ONLY. THE TRADEMARKS OF OTHERS REFERRED TO HEREIN ARE OWNED BY THEIR RESPECTIVE COMPANIES AND ARE NOT AFFILIATED IN ANY WAY WITH MIDWEST TRUCK & AUTO PARTS, INC.® MOTIVE GEAR® AND WORLD AMERICAN® ARE THE REGISTERED TRADEMARKS OF MIDWEST TRUCK & AUTO PARTS, INC.® USE OF THE ® IN CONNECTION WITH A MARK OF MIDWEST TRUCK & AUTO PARTS, INC.® INDICATES THAT THE MARK IS REGISTERED IN AT LEAST THE UNITED STATES. NO REPRESENTATION IS MADE WITH RESPECT TO THE SOURCE OF MANUFACTURE OF ANY PARTICULAR PART. © 2005, MIDWEST TRUCK & AUTO PARTS, INC.® ALL RIGHTS RESERVED.

EATON®

MODELS: RS341, RS402, RS451, RS381, RS401, RS340, RS380, RS400, 34RS, 38RS (Cont'd)

ITEM NO.	PART NAME	QTY PER AXLE	RS341, RS402, RS451 BUILT AFTER 4/6/89	RS341, RS381, RS401, RS402, RS451 BUILT BEFORE 4/6/89	RS340, RS380, RS400	34RS 38RS
20	RING GEAR NUT & BOLT KIT (1/2")	1	-----	-----	-----	69957
	Bolt	16	-----	-----	-----	69117
	Nut	16	-----	-----	-----	67592
21	Pinion Pilot Bearing	1	MUSB7307UM	MUS1307UM	MUS1307UM	MUS1307UM
22	Pinion Bearing Cone (Inner)	1	72218C	55200C	55200C	55200C
	Pinion Bearing Cone (Outer)	1	55200C	55200C	55200C	55200C
23	Pinion Bearing Spacer	AR		CALL YOUR SALES REP		
24	Pinion Bearing Cage & Cup Assy					
	Includes Item 25					
	Ratios 3.55 & 3.70	1	127039	75108	75108	-----
	Cage (NSS)		127038	75107	75107	-----
	Ratios 3.08, 3.25, 3.36, 3.90-7.17	1	107496	75110	75110	-----
	Cage (NSS)		107495	75109	75109	-----
	34/38RSB, C	1	-----	-----	-----	75108
	34/38RRD, E		-----	-----	-----	75110
25	Pinion Bearing Cup (Inner)	1	72487	55437	55437	55437
	Pinion Bearing Cup (Outer)	1	55437	55437	55437	55437
	OIL SEAL & SHIM KIT	1	213763	213764	213764	213764
	Includes Items 26, 28 & RTV					
26	Pinion Bearing Cage Shim	AR				
	.003"		107567	43588	43588	43588
	.005"		107568	107568	107568	107568
	.010"		107569	43589	43589	43589
	.020"		107570	107570	107570	107570
	.030"		-----	43590	43590	43590
27	Bearing Cage Capscrew	6	113325	113325	113325	113325
28	Pinion Seal	1	475012N	475012N	475012N	475012N
29	Pinion Yoke			CALL YOUR SALES REP		
30	Pinion Nut	1	95206	95206	95206	-----
	Ratio 3.70-4.33 (1-31/32" Spline)	1	-----	-----	-----	95206
	4.33-7.17 (1-3/4" Spline)	1	-----	-----	-----	95205
31	Flat Washer	1	56864	56864	56864	4327
	Gasket Compound	AR	107276	107276	107276	107276

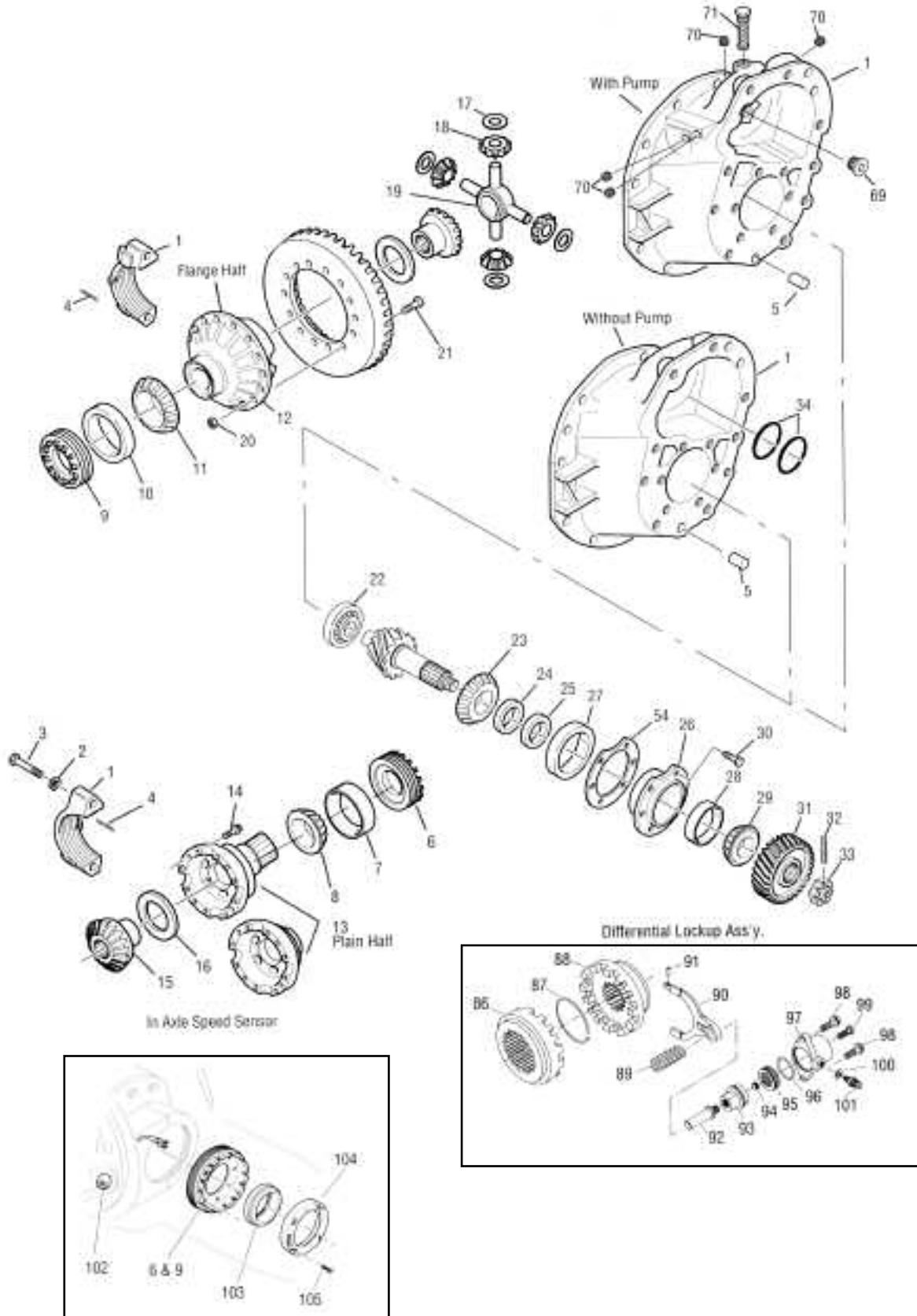
NSS = Not Sold Separately

REAR AXLES AFTER 4/6/89 RS401, 402, 451 LONG PINION SHAFT		
RATIO	PART#	TEETH COUNT
3.36	217996	(37-11)
3.55	217997	(39-11)
3.70	217998	(37-10)
3.90	217999	(39-10)
4.11	218000	(37-9)
4.33	218001	(39-9)
4.56	218002	(41-9)
4.88	218003	(39-8)
5.29	218004	(37-7)
5.57	218005	(39-7)
6.14	218006	(43-7)
6.50	218007	(39-6)
7.17	218008	(43-6)

INCLUDES PINION YOKE
SPACER 129169

REAR AXLES BEFORE 4/6/89 RS341, 381, 401		
RATIO	PART#	TEETH COUNT
3.36	120763	(37-11)
3.55	111501	(39-11)
3.70	111502	(37-10)
3.90	111503	(39-10)
4.11	111504	(37-9)
4.33	111505	(39-9)
4.56	111506	(41-9)
4.88	111507	(39-8)
5.29	111508	(37-7)
5.57	111509	(39-7)
6.14	111510	(43-7)
6.50	111511	(39-6)
7.17	111512	(43-6)

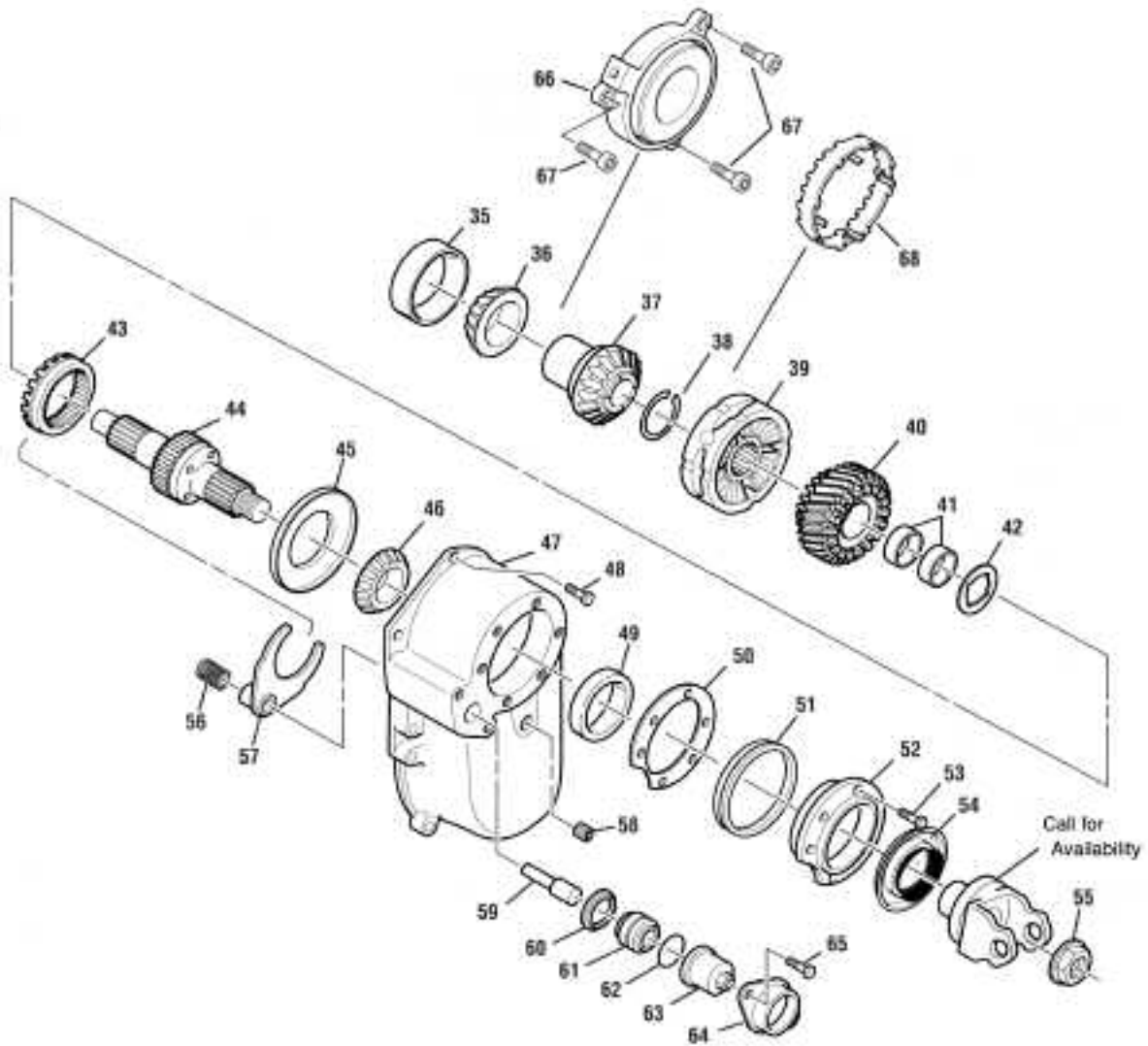
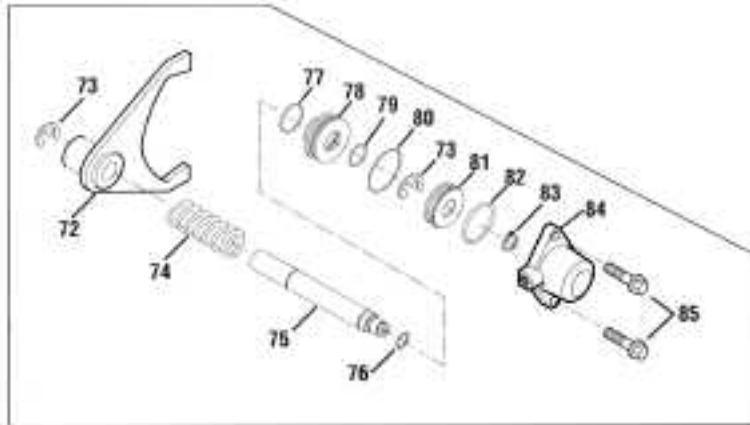
PARTS LISTED IN THIS CATALOG ARE NOT NECESSARILY MANUFACTURED BY THE ORIGINAL EQUIPMENT MANUFACTURER AND ANY REFERENCE TO THE TRADEMARKS OR PART NUMBERS OF OTHERS ARE FOR CROSS REFERENCE INFORMATIONAL PURPOSES ONLY. THE TRADEMARKS OF OTHERS REFERRED TO HEREIN ARE OWNED BY THEIR RESPECTIVE COMPANIES AND ARE NOT AFFILIATED IN ANY WAY WITH MIDWEST TRUCK & AUTO PARTS, INC.® MOTIVE GEAR® AND WORLD AMERICAN® ARE THE REGISTERED TRADEMARKS OF MIDWEST TRUCK & AUTO PARTS, INC.® USE OF THE ® IN CONNECTION WITH A MARK OF MIDWEST TRUCK & AUTO PARTS, INC.® INDICATES THAT THE MARK IS REGISTERED IN AT LEAST THE UNITED STATES. NO REPRESENTATION IS MADE WITH RESPECT TO THE SOURCE OF MANUFACTURE OF ANY PARTICULAR PART. © 2005, MIDWEST TRUCK & AUTO PARTS, INC.® ALL RIGHTS RESERVED.



PARTS LISTED IN THIS CATALOG ARE NOT NECESSARILY MANUFACTURED BY THE ORIGINAL EQUIPMENT MANUFACTURER AND ANY REFERENCE TO THE TRADEMARKS OR PART NUMBERS OF OTHERS ARE FOR CROSS REFERENCE INFORMATIONAL PURPOSES ONLY. THE TRADEMARKS OF OTHERS REFERRED TO HEREIN ARE OWNED BY THEIR RESPECTIVE COMPANIES AND ARE NOT AFFILIATED IN ANY WAY WITH MIDWEST TRUCK & AUTO PARTS, INC.® MOTIVE GEAR® AND WORLD AMERICAN® ARE THE REGISTERED TRADEMARKS OF MIDWEST TRUCK & AUTO PARTS, INC.® USE OF THE ® IN CONNECTION WITH A MARK OF MIDWEST TRUCK & AUTO PARTS, INC.® INDICATES THAT THE MARK IS REGISTERED IN AT LEAST THE UNITED STATES. NO REPRESENTATION IS MADE WITH RESPECT TO THE SOURCE OF MANUFACTURE OF ANY PARTICULAR PART. © 2005, MIDWEST TRUCK & AUTO PARTS, INC.® ALL RIGHTS RESERVED.

EATON®

DS344 - 404 - 454



PARTS LISTED IN THIS CATALOG ARE NOT NECESSARILY MANUFACTURED BY THE ORIGINAL EQUIPMENT MANUFACTURER AND ANY REFERENCE TO THE TRADEMARKS OR PART NUMBERS OF OTHERS ARE FOR CROSS REFERENCE INFORMATIONAL PURPOSES ONLY. THE TRADEMARKS OF OTHERS REFERRED TO HEREIN ARE OWNED BY THEIR RESPECTIVE COMPANIES AND ARE NOT AFFILIATED IN ANY WAY WITH MIDWEST TRUCK & AUTO PARTS, INC.® MOTIVE GEAR® AND WORLD AMERICAN® ARE THE REGISTERED TRADEMARKS OF MIDWEST TRUCK & AUTO PARTS, INC.® USE OF THE ® IN CONNECTION WITH A MARK OF MIDWEST TRUCK & AUTO PARTS, INC.® INDICATES THAT THE MARK IS REGISTERED IN AT LEAST THE UNITED STATES. NO REPRESENTATION IS MADE WITH RESPECT TO THE SOURCE OF MANUFACTURE OF ANY PARTICULAR PART. © 2005, MIDWEST TRUCK & AUTO PARTS, INC.® ALL RIGHTS RESERVED.

EATON®

DS344 - 404 - 454

ITEM	DESCRIPTION	QUANTITY	DS344, DA404(P) DS404(P) DS454-P	DD404(P) DD454-P	NOTES
	Bearing, Seal & Gasket Kit		RA404FR	217463	
1	Diff. Carrier & Bearing Caps Kit (Includes Items 1-3, 5, 62)	1	216222 217360 217536	217361 217537	Non-Pump Models Models with Pump DA404 Model Only
2	Flat Washer	4	210288	210288	
3	Capscrew	4	210095	210095	
4	Cotter Pin	2	126156	126156	
5	Dowel Pin	2	7641	7641	
6	Diff. Bearing Adjuster - Plain Half	1	127412 128429	128616	DA404(P) Model Only
7	Bearing Cup - Plain Half	1	493	42584	
8	Bearing Cone - Plain Half	1	497	42362	
9	Diff. Bearing Adjuster - Flange Half	1	127410 128428	127410	DA404(P) Model Only
10	Bearing Cup - Flange Half	1	563	563	
11	Bearing Cone - Flange Half	1	567	567	
	WHEEL DIFF. CASE KITS				
12	Diff. Case-RH (Flg. Half) - (NSS) 127585 Diff. Case-RH (Flg. Half) - (NSS) 127586 Diff. Case-RH (Flg. Half) - (NSS) 127574 Diff. Case-RH (Flg. Half) - (NSS) 127575 (Includes Items 13-14)	1	508653 508654 508655 508656	508724 508725 508726 508727	Ratios 2.64 to 3.25 Ratios 3.36 to 3.90 Ratios 4.11 to 4.88 Ratios 5.29 to 6.50 Use 508652 Belt Kit
13	Diff. Case-LF (Plain Half) - (NSS)	1	127498	128607	Order kits listed above
14	Capscrew	12	127465	128619	Included in Case Kits
	WHEEL DIFF. SIDE GEAR KIT (Includes Items 15-19)		217461 216229 217462	216229	All 344 Models All 404 & DS454-P Models DD454P Models Only
	WHEEL DIFF. W/O SIDE GEARS (Includes Items 16-19)		216228	216228	
15	Diff. Spider	1	127359	127359	
	RING GEAR NUT & BOLT KIT (Includes Items 20-21) Ring Gear & Pinion Drive Set (NSS)		121753	121753	
			MATCHED PARTS: (SEE SEPARATE LISTING ON PAGE 27)		
16	Side Pinion	4	127364	127364	
17	Side Pinion Thrust Washer	4	129305	129305	
18	Side Gear - 39 Inv. Spline 41 Inv. Spline 33 Inv. Spline	2	127367 127368	127368 127366	All 344 Models All 404 & DS454-P Models DD454-P Models Only
19	Side Gear Thrust Washer	2	127386	127386	
20	Nut	16	126216	126216	
21	Bolt	16	126219	126219	
22	Pinion Pilot Bearing	1	MUB1307UM	MUB1307UM	
23	Pinion Bearing Cone - Inner	1	72218C	72218C	
24	Spacer Washer	1	127565	127565	
25	Pinion Bearing Spacer	AR			
26	Pinion Bearing Cage & Cup Assy Cage # 127488C (NSS) (Includes Items 26-28)	1	127601	127601	Includes Item 26-28
27	Pinion Bearing Cup - Inner	1	72487	72487	
28	Pinion Bearing Cup - Outer	1	55437	55437	
29	Pinion Bearing Cone - Outer	1	72218C	72218C	
30	Capscrew	6	210115	210115	
31	Pinion Helical Gear	1	127523	127523	

NSS = Not Sold Separately

PARTS LISTED IN THIS CATALOG ARE NOT NECESSARILY MANUFACTURED BY THE ORIGINAL EQUIPMENT MANUFACTURER AND ANY REFERENCE TO THE TRADEMARKS OR PART NUMBERS OF OTHERS ARE FOR CROSS REFERENCE INFORMATIONAL PURPOSES ONLY. THE TRADEMARKS OF OTHERS REFERRED TO HEREIN ARE OWNED BY THEIR RESPECTIVE COMPANIES AND ARE NOT AFFILIATED IN ANY WAY WITH MIDWEST TRUCK & AUTO PARTS, INC.® MOTIVE GEAR® AND WORLD AMERICAN® ARE THE REGISTERED TRADEMARKS OF MIDWEST TRUCK & AUTO PARTS, INC.® USE OF THE ® IN CONNECTION WITH A MARK OF MIDWEST TRUCK & AUTO PARTS, INC.® INDICATES THAT THE MARK IS REGISTERED IN AT LEAST THE UNITED STATES. NO REPRESENTATION IS MADE WITH RESPECT TO THE SOURCE OF MANUFACTURE OF ANY PARTICULAR PART. © 2005, MIDWEST TRUCK & AUTO PARTS, INC.® ALL RIGHTS RESERVED.

EATON®

DS344 - 404 - 454 (Cont'd)

ITEM	DESCRIPTION	QUANTITY	DS344, DA404(P) DS404(P) DS454-P	DD404(P) DD454-P	NOTES
32	Roll Pin	1	118807	118807	
33	Slotted Pinion Nut	1	126182	126182	
34	Output Shaft O-Ring	2	127545	127545	
35	Output Shaft Bearing Cup	1	29630	29630	
36	Output Shaft Bearing Cone	1	29675	29675	
37	Output Shaft Side Gear	1	127645	127645	
38	Snap Ring	1	85997	85997	
39	Inter-Axle Diff. Assy	1	128634	128634	Use For Non-Pump & Pump Models
40	Helical Side Gear & Bushing Assy Gear #127494 - (NSS) Includes Item 41)	1	127495	127495	
41	Helical Gear Bushing - (NSS)	2	(NSS)	(NSS)	
42	Helical Gear Thrust Washer	2	128702	128702	
43	Lockout Sliding Clutch	1	127510	127510	
44	Input Shaft Kit - Shaft #128704 (NSS)	1	216226	216226	Includes Items 42, 44, 55
45	Oil Retainer	1	128700	128700	
46	Input Shaft Bearing Cone	1	552A	552A	
47	PDU Cover	1	127605	127605	
48	Capscrew	5	210091	210091	Long
		4	210115	210115	Short
49	Bearing Cup	1	555S	555S	
	OIL SEAL & SHIM KIT	1	216224	216224	Incl.Items 50,54 &127592 Oil Seal
50	Shim .003	AR	127595	127595	
	Shim .005		127596	127596	
	Shim .010		127597	127597	
	Shim .020		127598	127598	
	Shim .030		127599	127599	
51	Oil Seal-V-Ring	1	401300	401300	
52	Input Brg. Cover Assy - Cover #127490C	1	127602	127602	Includes Item 49
53	Bearing Cover Capscrew	6	210115	210115	
54	Oil Seal	1	127591	127591	
55	Locknut	1	128049	128049	Included in 216226 Kit
56	Compression Spring	1	127474	127474	
57	Shift Fork Assy	1	129783	129783	
58	Plug	1	90325	90325	
59	Push Rod	1	127477	127477	
	AIR-OPERATED LOCKOUT ASSY	1	121905	121905	Includes Items 60-64
60	Shoulder Washer	1	210452	210452	
61	Piston	1	210278	210278	
62	O-Ring	1	210180	210180	
63	Shift Cylinder Body	1	210276	210276	
64	Mounting Bracket	1	127675	127675	
65	Capscrew	2	210182	210182	
66	Lube Pump Assembly	1	127534	127534	Pump Models Only
67	Capscrew	3	127551	127551	Pump Models Only
68	Drive Coupling - Service	1	128628	128628	Pump Models Only (Prod#127648)
69	Poppet Valve Plug	1	19411	19411	Pump Models Only
70	Pipe Plug	4	X12603	X12603	Pump Models Only
71	Filter Screen Assy	1	127649	127649	Pump Models Only
	NAVISTAR® REVERSE-AIR LOCKOUT KIT	1	216048	216048	Includes Items 73-85

NSS = Not Sold Separately

PARTS LISTED IN THIS CATALOG ARE NOT NECESSARILY MANUFACTURED BY THE ORIGINAL EQUIPMENT MANUFACTURER AND ANY REFERENCE TO THE TRADEMARKS OR PART NUMBERS OF OTHERS ARE FOR CROSS REFERENCE INFORMATIONAL PURPOSES ONLY. THE TRADEMARKS OF OTHERS REFERRED TO HEREIN ARE OWNED BY THEIR RESPECTIVE COMPANIES AND ARE NOT AFFILIATED IN ANY WAY WITH MIDWEST TRUCK & AUTO PARTS, INC.® MOTIVE GEAR® AND WORLD AMERICAN® ARE THE REGISTERED TRADEMARKS OF MIDWEST TRUCK & AUTO PARTS, INC.® USE OF THE ® IN CONNECTION WITH A MARK OF MIDWEST TRUCK & AUTO PARTS, INC.® INDICATES THAT THE MARK IS REGISTERED IN AT LEAST THE UNITED STATES. NO REPRESENTATION IS MADE WITH RESPECT TO THE SOURCE OF MANUFACTURE OF ANY PARTICULAR PART. © 2005, MIDWEST TRUCK & AUTO PARTS, INC.® ALL RIGHTS RESERVED.

EATON®

DS344 - 404 - 454 (Cont'd)

ITEM	DESCRIPTION	QUANTITY	DS344, DA404(P) DS404(P) DS454-P	DD404(P) DD454-P	NOTES
72	Shift Fork	1	CALL YOUR SALES REP		
73	Snap Ring	2	128725	128725	
74	Compression Spring	1	128731	128731	
75	Push Rod	1	128730	128730	
76	O-Ring	1	128331	128331	
77	O-Ring	1	128727	128727	
78	Pilot Plate	1	128726	128726	
79	O-Ring	1	128729	128729	
80	O-Ring	1	128728	128728	
81	Piston	1	128724	128724	
82	O-Ring	1	210180	210180	
83	Snap Ring	1	128734	128734	
84	Piston Cover	1	128733	128733	
85	Capscrew - Fig Head Hex	2	128744	128744	
86	Fixed Curvic Clutch Gear	1	N/A	128627	
87	Snap Ring	1	N/A	210299	
88	SI Curvic Clutch Gear	1	N/A	126840	DD404(P)
			N/A	128926	DD454-P
89	Compression Spring	1	N/A	128614	
90	Shift Fork - (NSS)	1	N/A	128609	
91	Spring Pin	1	N/A	210020	
92	Push Rod	1	N/A	128617	
93	Piston Driver	1	N/A	128640	
94	Set Screw	1	N/A	128618	
95	Piston	1	N/A	128624	
96	O-Ring	1	N/A	210180	
97	Piston Cover	1	N/A	128612	
98	Capscrew - Fix Head Hex	2	N/A	128744	
99	Capscrew	1	N/A	128274	
100	Washer	1	N/A	126618	
101	Switch	1	N/A	210280	
102	Sensor Connector	2	128713	N/A	DA404(P) Models Only
103	Rotor Assembly - 41 Spline	2	128081	N/A	DA404(P) Models Only
104	Sensor Assembly	2	128082	N/A	DA404(P) Models Only
105	Fasteners	4	128074	N/A	DA404(P) Models Only
106	RTV - Sealant	1	107276	107276	

NSS = Not Sold Separately

RING GEAR & PINION KITS

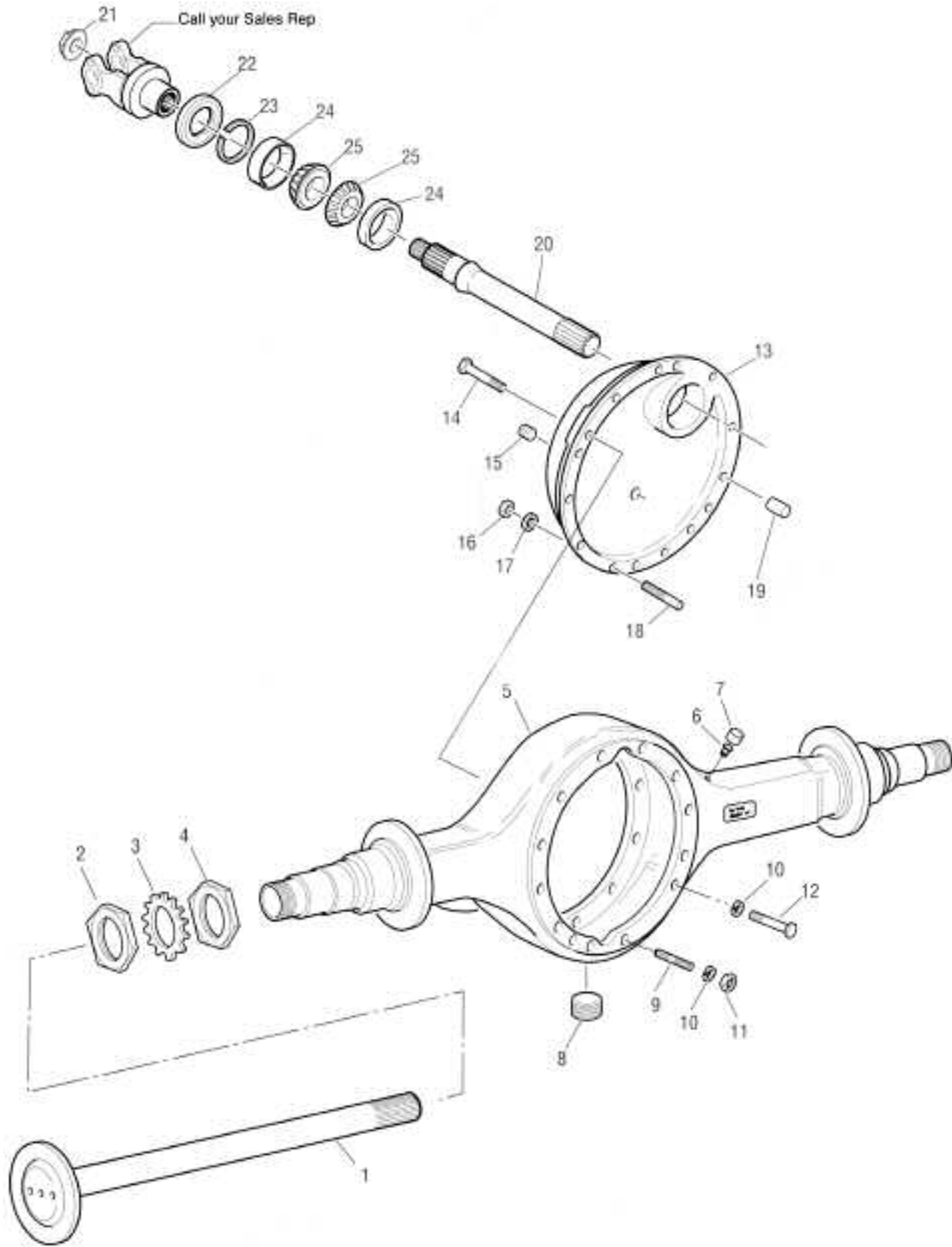
KITS & ASSEMBLIES

**D344/404(P) SINGLE REDUCTION AXLES
DD404(P)/454-P SINGLE REDUCTION AXLES W/DIFF. LOCK
15" HYOPOID GEARING**

RATIO	PART#	TEETH COUNT	RATIO	PART #	TEETH COUNT
2.64	211462	(37-14)	4.11	211470	(37-9)
2.85	211463	(37-13)	4.33	211471	(39-9)
3.08	211464	(37-12)	4.63	211472	(37-8)
3.25	211465	(39-12)	4.88	211473	(39-8)
3.36	211466	(37-11)	5.29	211474	(37-7)
3.55	211467	(39-11)	5.57	211475	(39-7)
3.70	211468	(37-10)	6.17	211476	(37-6)
3.90	211469	(39-10)	6.50	211477	(39-6)

Ring Gear Nut & Bolt Kit	508652	Includes Items 20-21
Oil Seal & Shim Kit	216224	Includes 50, 54 & 127592 Seal
Lockout Cylinder Assy	121905	Includes 64-68
Reverse Air Lockout Assy (IHC)	216048	Includes 72, 74-85
Input Shaft Kit	216226	Includes 42, 44, 55

PARTS LISTED IN THIS CATALOG ARE NOT NECESSARILY MANUFACTURED BY THE ORIGINAL EQUIPMENT MANUFACTURER AND ANY REFERENCE TO THE TRADEMARKS OR PART NUMBERS OF OTHERS ARE FOR CROSS REFERENCE INFORMATIONAL PURPOSES ONLY. THE TRADEMARKS OF OTHERS REFERRED TO HEREIN ARE OWNED BY THEIR RESPECTIVE COMPANIES AND ARE NOT AFFILIATED IN ANY WAY WITH MIDWEST TRUCK & AUTO PARTS, INC.® MOTIVE GEAR® AND WORLD AMERICAN® ARE THE REGISTERED TRADEMARKS OF MIDWEST TRUCK & AUTO PARTS, INC.® USE OF THE ® IN CONNECTION WITH A MARK OF MIDWEST TRUCK & AUTO PARTS, INC.® INDICATES THAT THE MARK IS REGISTERED IN AT LEAST THE UNITED STATES. NO REPRESENTATION IS MADE WITH RESPECT TO THE SOURCE OF MANUFACTURE OF ANY PARTICULAR PART. © 2005, MIDWEST TRUCK & AUTO PARTS, INC.® ALL RIGHTS RESERVED.

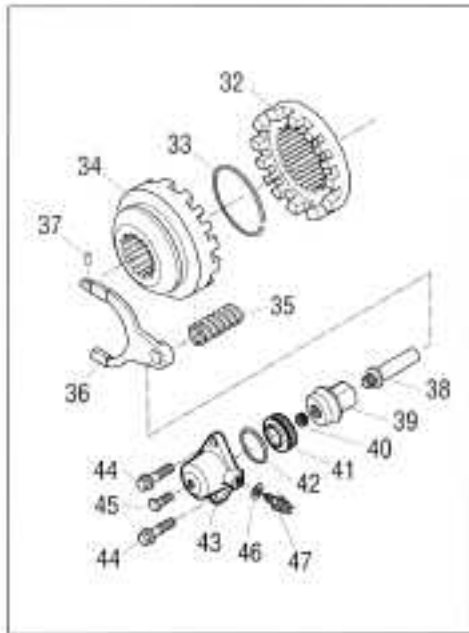


PARTS LISTED IN THIS CATALOG ARE NOT NECESSARILY MANUFACTURED BY THE ORIGINAL EQUIPMENT MANUFACTURER AND ANY REFERENCE TO THE TRADEMARKS OR PART NUMBERS OF OTHERS ARE FOR CROSS REFERENCE INFORMATIONAL PURPOSES ONLY. THE TRADEMARKS OF OTHERS REFERRED TO HEREIN ARE OWNED BY THEIR RESPECTIVE COMPANIES AND ARE NOT AFFILIATED IN ANY WAY WITH MIDWEST TRUCK & AUTO PARTS, INC.® MOTIVE GEAR® AND WORLD AMERICAN® ARE THE REGISTERED TRADEMARKS OF MIDWEST TRUCK & AUTO PARTS, INC.® USE OF THE ® IN CONNECTION WITH A MARK OF MIDWEST TRUCK & AUTO PARTS, INC.® INDICATES THAT THE MARK IS REGISTERED IN AT LEAST THE UNITED STATES. NO REPRESENTATION IS MADE WITH RESPECT TO THE SOURCE OF MANUFACTURE OF ANY PARTICULAR PART. © 2005, MIDWEST TRUCK & AUTO PARTS, INC.® ALL RIGHTS RESERVED.

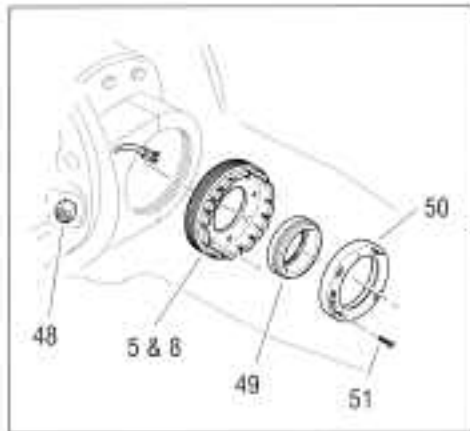
ITEM	DESCRIPTION	QTY	PART NO.	NOTES
1	Axle Shaft	2	A/R	CALL YOUR SALES REP
2	Outer Bearing Adjuster Nut	2	119881	All D/R Models
3	Bearing Adjuster Lockwasher	2	119883	All D/R Models
4	Inner Bearing Adjuster Nut	2	119882	All D/R Models
5	Axle Housing Assy	1		See Your OEM Catalog
6	Breather	1	809560	
7	Plastic Snap Cap	1	126980	
8	Magnetic Drain Plug - 3/4"	1	54254	All D/R Models
9	Stud - Carrier to Housing	4	127641	DS/RS344/404/454
		2	127641	DD/RD404/454
10	Lockwasher - Carrier to Housing	12	90422	All D/R Models
11	Nut - Carrier to Housing	4	127567	RS344/404/454
		2	127567	DD/RD404/454
12	Capscrew (short) - Carrier to Housing	8	210173	All D/R Models (was 127590)
	Capscrew (long)	2	128639	DD/RD404/454
13	Axle Housing Cover Assy	1	217520	Includes (1) Item #24
	Cover casting # 127486C - (NSS)			Forward Axle
14	Capscrew - Housing Cover to Head Assy	8	210135	All Forward Axles
15	Magnetic Plug - 1"	1	127572	
16	Nut - Housing Cover to Head Assy	4	127569	All Forward Axles
17	Lockwasher - Housing Cover to Head Assy	12	210140	All Forward Axles
18	Stud - Housing Cover	4	127568	All Forward Axles
19	Dowel Pin - Housing Cover	1	7641	All Forward Axles
20	OUTPUT SHAFT KIT	1	216227	Includes Items 20-21
	Output Shaft #127646- (NSS)		216227	
21	Locknut - Hex	1	127588	
22	Oil Seal	1	127592	
23	Snap Ring			
	.103	1	127538	
	.109	1	127537	
24	Bearing Cup	2	55437	
25	Bearing Cone	2	55212C	

KITS AND ASSEMBLIES

PARTS LISTED IN THIS CATALOG ARE NOT NECESSARILY MANUFACTURED BY THE ORIGINAL EQUIPMENT MANUFACTURER AND ANY REFERENCE TO THE TRADEMARKS OR PART NUMBERS OF OTHERS ARE FOR CROSS REFERENCE INFORMATIONAL PURPOSES ONLY. THE TRADEMARKS OF OTHERS REFERRED TO HEREIN ARE OWNED BY THEIR RESPECTIVE COMPANIES AND ARE NOT AFFILIATED IN ANY WAY WITH MIDWEST TRUCK & AUTO PARTS, INC.® MOTIVE GEAR® AND WORLD AMERICAN® ARE THE REGISTERED TRADEMARKS OF MIDWEST TRUCK & AUTO PARTS, INC.® USE OF THE ® IN CONNECTION WITH A MARK OF MIDWEST TRUCK & AUTO PARTS, INC.® INDICATES THAT THE MARK IS REGISTERED IN AT LEAST THE UNITED STATES. NO REPRESENTATION IS MADE WITH RESPECT TO THE SOURCE OF MANUFACTURE OF ANY PARTICULAR PART. © 2005, MIDWEST TRUCK & AUTO PARTS, INC.® ALL RIGHTS RESERVED.



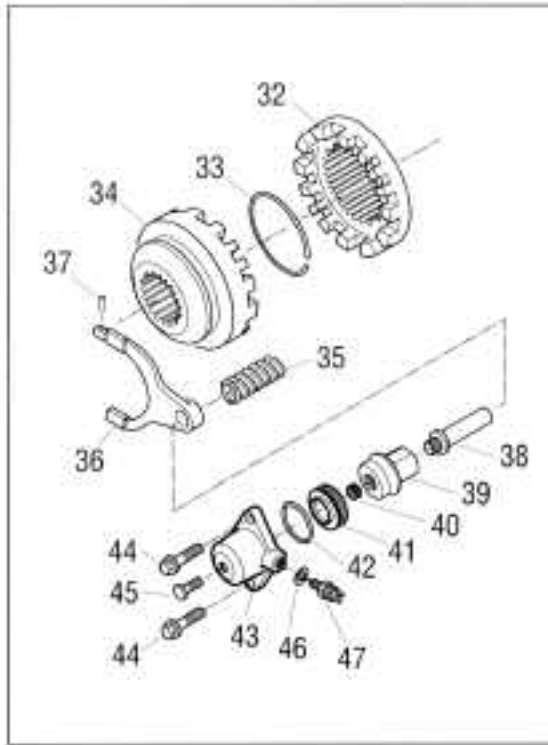
DIFFERENTIAL LOCKUP ASS'Y.



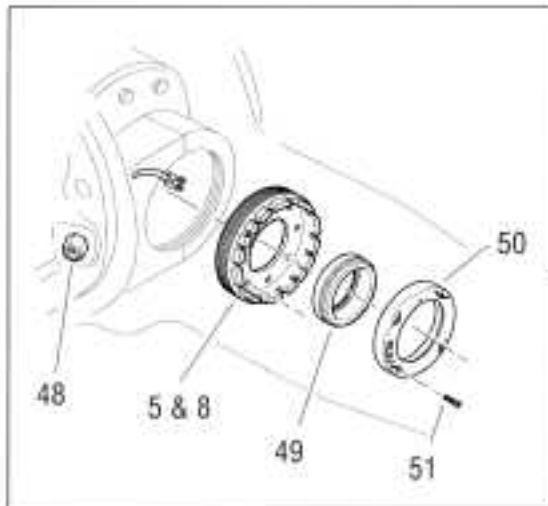
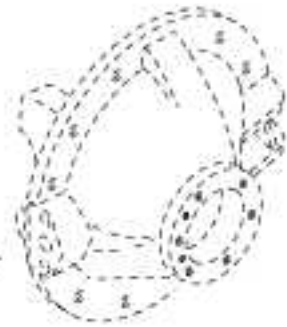
IN AXLE SPEED SENSOR



PARTS LISTED IN THIS CATALOG ARE NOT NECESSARILY MANUFACTURED BY THE ORIGINAL EQUIPMENT MANUFACTURER AND ANY REFERENCE TO THE TRADEMARKS OR PART NUMBERS OF OTHERS ARE FOR CROSS REFERENCE INFORMATIONAL PURPOSES ONLY. THE TRADEMARKS OF OTHERS REFERRED TO HEREIN ARE OWNED BY THEIR RESPECTIVE COMPANIES AND ARE NOT AFFILIATED IN ANY WAY WITH MIDWEST TRUCK & AUTO PARTS, INC.® MOTIVE GEAR® AND WORLD AMERICAN® ARE THE REGISTERED TRADEMARKS OF MIDWEST TRUCK & AUTO PARTS, INC.® USE OF THE ® IN CONNECTION WITH A MARK OF MIDWEST TRUCK & AUTO PARTS, INC.® INDICATES THAT THE MARK IS REGISTERED IN AT LEAST THE UNITED STATES. NO REPRESENTATION IS MADE WITH RESPECT TO THE SOURCE OF MANUFACTURE OF ANY PARTICULAR PART. © 2005, MIDWEST TRUCK & AUTO PARTS, INC.® ALL RIGHTS RESERVED.



DIFFERENTIAL LOCKUP ASS'Y.



IN AXLE SPEED SENSOR



PARTS LISTED IN THIS CATALOG ARE NOT NECESSARILY MANUFACTURED BY THE ORIGINAL EQUIPMENT MANUFACTURER AND ANY REFERENCE TO THE TRADEMARKS OR PART NUMBERS OF OTHERS ARE FOR CROSS REFERENCE INFORMATIONAL PURPOSES ONLY. THE TRADEMARKS OF OTHERS REFERRED TO HEREIN ARE OWNED BY THEIR RESPECTIVE COMPANIES AND ARE NOT AFFILIATED IN ANY WAY WITH MIDWEST TRUCK & AUTO PARTS, INC.® MOTIVE GEAR® AND WORLD AMERICAN® ARE THE REGISTERED TRADEMARKS OF MIDWEST TRUCK & AUTO PARTS, INC.® USE OF THE ® IN CONNECTION WITH A MARK OF MIDWEST TRUCK & AUTO PARTS, INC.® INDICATES THAT THE MARK IS REGISTERED IN AT LEAST THE UNITED STATES. NO REPRESENTATION IS MADE WITH RESPECT TO THE SOURCE OF MANUFACTURE OF ANY PARTICULAR PART. © 2005, MIDWEST TRUCK & AUTO PARTS, INC.® ALL RIGHTS RESERVED.

EATON®

RS344 - 404 - 454 (Cont'd)

ITEM	DESCRIPTION	QUANTITY	RS344, RA404 RS404 RS454	RD404 RD454	NOTES
Bearing, Seal & Gasket Kit					
1	Diff. Carrier & Bearing Caps (Includes Items 1-3)	1	RA404RR 216223 217538	217464 217362	RA404 Models Only
2	Flat Washer	4	210288	210288	
3	Capscrew	4	210095	210095	
4	Cotter Pin	2	126156	126156	
5	Diff. Bearing Adjuster - Plain Half	1	127412 128429	128615	RA404 Models Only
6	Bearing Cone - Plain Half	1	497	42362	
7	Bearing Cup - Plain Half	1	493	42584	
8	Diff. Bearing Adjuster - Flange Half	1	127410 128428	127410	RA404 Models Only
9	Bearing Cup - Flange Half	1	563	563	
10	Bearing Cone - Flange Half	1	567	567	
WHEEL DIFF. CASE KITS					
11	Diff. Case-LH (Fig. Half) - (NSS) 127585	1	508653	217166	Ratios 2.64 to 3.25
	Diff. Case-LH (Fig. Half) - (NSS) 127586		508654	217167	Ratios 3.36 to 3.90
	Diff. Case-LH (Fig. Half) - (NSS) 127587		508655	217168	Ratios 4.11 to 4.88
	Diff. Case-LH (Fig. Half) - (NSS) 216233		508656	217169	Ratios 5.29 to 6.50
	(Includes Items 11-13)				
12	Capscrew	12	127465	128619	
13	Diff. Case-RH (Plain Half) - (NSS)	1	127408	128607	Order Kits Listed on Next Page
	WHEEL DIFF. SIDE GEAR KIT		217461		All 344 Models
	(Includes Items 14-18)		216229	216229	All 404 & RS454 Models
				217462	RD454 Models Only
14	Diff. Spider	1	127359	127359	
	RING GEAR NUT & BOLT KIT		121753	121753	Includes Items 19-20
15	Side Pinion	4	127364	127364	
	WHEEL DIFF. KIT W/O SIDE GEARS		216228	216228	
	(INCLUDES ITEMS 15-18)				
16	Side Pinion Thrust Washer	4	127369	127369	
17	Side Gear - 39 Inv. Spline	2		127367	All 344 Models
	41 Inv. Spline		127368	127368	All 404 & RS454 Models
	33 Inv. Spline			127366	RD454 Models Only
18	Side Gear Thrust Washer	2	127386	127386	
19	Nut	16	126216	126216	
20	Bolt	16	126219	126219	
21	Pinion Pilot Bearing	1	MUB7307UM	MUB7307UM	
22	Pinion Bearing Cone - Inner	1	72212C	72212C	
23	Pinion Bearing Spacer	AR	CALL YOUR SALES REP		
24	Pinion Bearing Cage & Cup Assy (Cage #127481C (NSS))	1	127600	127600	Includes Item 24-26
25	Pinion Bearing Cup - Inner	1	72487	72487	
26	Pinion Bearing Cup - Outer	1	55437	55437	
27	Pinion Bearing Cone - Outer	1	55200C	55212C	
28	Capscrew	6	210115	210115	
	OIL SEAL & SHIM KIT		216225	216225	Includes Items 29-30, 52
29	Shim .003	AR	127595	127595	
	Shim .005		127596	127596	
	Shim .010		127597	127597	
	Shim .020		127598	127598	
	Shim .030		127599	127599	
30	Oil Seal	1	127591	127591	

NSS = Not Sold Separately

PARTS LISTED IN THIS CATALOG ARE NOT NECESSARILY MANUFACTURED BY THE ORIGINAL EQUIPMENT MANUFACTURER AND ANY REFERENCE TO THE TRADEMARKS OR PART NUMBERS OF OTHERS ARE FOR CROSS REFERENCE INFORMATIONAL PURPOSES ONLY. THE TRADEMARKS OF OTHERS REFERRED TO HEREIN ARE OWNED BY THEIR RESPECTIVE COMPANIES AND ARE NOT AFFILIATED IN ANY WAY WITH MIDWEST TRUCK & AUTO PARTS, INC.® MOTIVE GEAR® AND WORLD AMERICAN® ARE THE REGISTERED TRADEMARKS OF MIDWEST TRUCK & AUTO PARTS, INC.® USE OF THE ® IN CONNECTION WITH A MARK OF MIDWEST TRUCK & AUTO PARTS, INC.® INDICATES THAT THE MARK IS REGISTERED IN AT LEAST THE UNITED STATES. NO REPRESENTATION IS MADE WITH RESPECT TO THE SOURCE OF MANUFACTURE OF ANY PARTICULAR PART. © 2005, MIDWEST TRUCK & AUTO PARTS, INC.® ALL RIGHTS RESERVED.

ITEM	DESCRIPTION	QUANTITY	RS344, RA404		NOTES
			RS404 RS454	RD404 RD454	
31	Pinion Nut	1	127589	127589	
32	Fixed Curvic Clutch Gear	1	N/A	128627	
33	Snap Ring	1	N/A	210299	
34	SL Curvic Clutch Gear	1	N/A	126840	RD404
			N/A	128926	RD454
35	Compression Spring SHIFT FORK ASSY	1	N/A	128614	
36	Shift Fork - 128611C (NSS)	1	N/A	217465	Includes Items 36-37
37	Spring Pin	1	N/A	128609	
38	Push Rod	1	N/A	210020	
39	Piston Driver	1	N/A	128617	
40	Set Screw	1	N/A	128640	
41	Piston	1	N/A	128618	
42	O-Ring	1	N/A	128624	
43	Piston Cover	1	N/A	210180	
44	Capscrew - Flg. Head	1	N/A	128612	
45	Capscrew	2	N/A	128744	
46	Washer	1	N/A	128274	
47	Switch	1	N/A	126618	
48	Sensor Connector	1	N/A	210280	
49	Sensor Assembly	2	128713	N/A	RA404 Models Only
50	Rotor Assembly - 41 Spline	2	128081	N/A	RA404 Models Only
51	Sensor Assembly	2	128082	N/A	RA404 Models Only
52	Fasteners	4	128074	N/A	RA404 Models Only
52	RTV - Sealant	1	107276	107276	Not Illustrated

NSS = Not Sold Separately

RING GEAR & PINION KITS

**R344/404/454 SINGLE REDUCTION AXLES
RD404/454 SINGLE REDUCTION AXLES W/DIFF. LOCK
15" HYPOID GEARING**

RATIO	PART#	TEETH COUNT	RATIO	PART #	TEETH COUNT
2.64	211478	(37-14)	4.11	211486	(37-9)
2.85	211479	(37-13)	4.33	211487	(39-9)
3.08	211480	(37-12)	4.63	211488	(37-8)
3.25	211481	(39-12)	4.88	211489	(39-8)
3.36	211482	(37-11)	5.29	211490	(37-7)
3.55	211483	(39-11)	5.57	211491	(39-7)
3.70	211484	(37-10)	6.17	211492	(37-6)
3.90	211485	(39-10)	6.50	211493	(39-6)

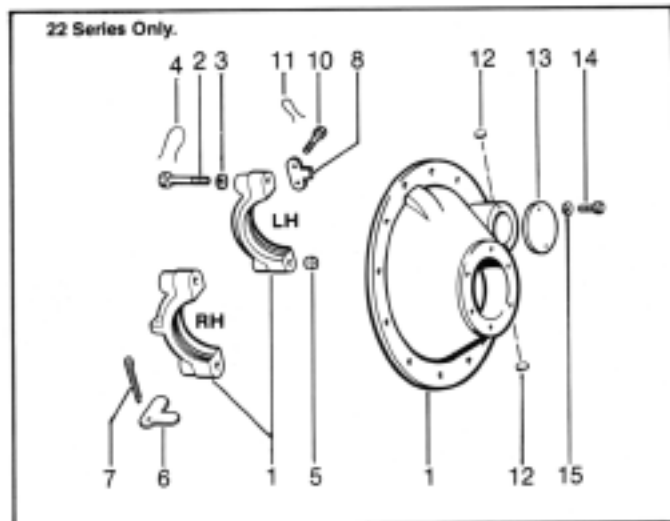
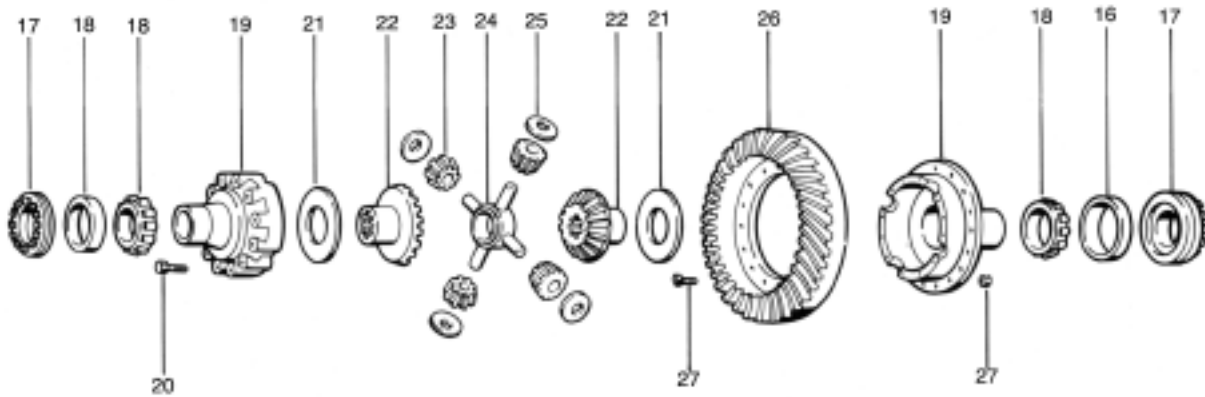
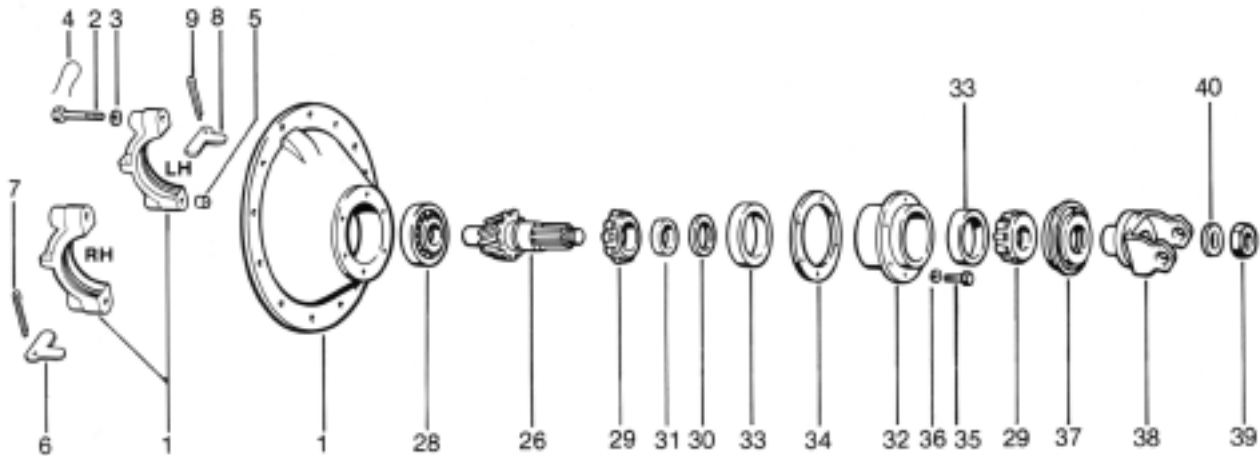
KITS & ASSEMBLIES

Basic Overhaul Kit - RS & RA Models	RA404RR	Contents Identified With #
Basic Overhaul Kit - RD Models	217464	Contents Identified With #
Oil Seal & Shim Kit	216225	Includes Items 29-30, 52
Ring Gear Nut & Bolt Kit	508652	Includes Items 19-20

PARTS LISTED IN THIS CATALOG ARE NOT NECESSARILY MANUFACTURED BY THE ORIGINAL EQUIPMENT MANUFACTURER AND ANY REFERENCE TO THE TRADEMARKS OR PART NUMBERS OF OTHERS ARE FOR CROSS REFERENCE INFORMATIONAL PURPOSES ONLY. THE TRADEMARKS OF OTHERS REFERRED TO HEREIN ARE OWNED BY THEIR RESPECTIVE COMPANIES AND ARE NOT AFFILIATED IN ANY WAY WITH MIDWEST TRUCK & AUTO PARTS, INC.® MOTIVE GEAR® AND WORLD AMERICAN® ARE THE REGISTERED TRADEMARKS OF MIDWEST TRUCK & AUTO PARTS, INC.® USE OF THE ® IN CONNECTION WITH A MARK OF MIDWEST TRUCK & AUTO PARTS, INC.® INDICATES THAT THE MARK IS REGISTERED IN AT LEAST THE UNITED STATES. NO REPRESENTATION IS MADE WITH RESPECT TO THE SOURCE OF MANUFACTURE OF ANY PARTICULAR PART. © 2005, MIDWEST TRUCK & AUTO PARTS, INC.® ALL RIGHTS RESERVED.

EATON®

SINGLE AXLE DIFFERENTIAL - SINGLE REDUCTION 17, 18101, 21, 22, 23-26121



PARTS LISTED IN THIS CATALOG ARE NOT NECESSARILY MANUFACTURED BY THE ORIGINAL EQUIPMENT MANUFACTURER AND ANY REFERENCE TO THE TRADEMARKS OR PART NUMBERS OF OTHERS ARE FOR CROSS REFERENCE INFORMATIONAL PURPOSES ONLY. THE TRADEMARKS OF OTHERS REFERRED TO HEREIN ARE OWNED BY THEIR RESPECTIVE COMPANIES AND ARE NOT AFFILIATED IN ANY WAY WITH MIDWEST TRUCK & AUTO PARTS, INC.® MOTIVE GEAR® AND WORLD AMERICAN® ARE THE REGISTERED TRADEMARKS OF MIDWEST TRUCK & AUTO PARTS, INC.® USE OF THE ® IN CONNECTION WITH A MARK OF MIDWEST TRUCK & AUTO PARTS, INC.® INDICATES THAT THE MARK IS REGISTERED IN AT LEAST THE UNITED STATES. NO REPRESENTATION IS MADE WITH RESPECT TO THE SOURCE OF MANUFACTURE OF ANY PARTICULAR PART. © 2005, MIDWEST TRUCK & AUTO PARTS, INC.® ALL RIGHTS RESERVED.



SINGLE AXLE DIFFERENTIAL - SINGLE REDUCTION

ITEM NO.	PART NAME	QTY PER AXLE	17101-21	18101-21	23121
			21121	22121	26121
	Bearing, Seal & Gasket Kit	1	RA1AR	110634	RA18ER
1	Diff. Carrier & Bearing Caps Carrier Casting No. (NSS) 67804 (Includes Items 1-4) 109364 (Includes Items 1-5, 12-13 plus (2) 20807 Capscrews and (2) 90415 lockwashers). 98593 (Includes Items 1-5)	1	67804 106402	109364 107493	98593 98493
2	Bearing Capscrew	4	67811	32732	32732
3	Flat Washer	4	26772	32912	31912
4	Lockwire	4	90538	-----	12563
	Lockwire	2	-----	90538	-----
	Lockwire	2	-----	12563	-----
5	Dowel Bushing	2	-----	32730	32730
6	Bearing Cap Adjuster Lock (RH)	1	13377	13377	14275
7	Cotter Pin (RH)	1	90873	90873	90876
8	Bearing Cap Adjuster Lock (LH)	1	14275	45448	14275
9	Cotter Pin (LH)	1	90876	-----	90876
10	Capscrew (LH)	2	-----	12562	-----
11	Lockwire	1	-----	-----	-----
12	Upper Expansion Plug	1	-----	30703	-----
	Lower Expansion Plug	1	-----	9797	-----
13	Shift Fork Opening Cover	1	-----	45521	-----
14	Stud/Screw	2	-----	119863	-----
15	Flat Washer	2	-----	119857	-----
17	Diff. Bearing Adjuster (RH) 17, 21 Series 18 Series	1	----- 110243 27842	----- ----- -----	----- ----- -----
	Diff. Bearing Adjuster (LH) (106694 includes 90943 Cup)	1	31562	106694	39448
16	Diff. Bearing Cup (RH)	1	493	493	42584
	Diff. Bearing Cup (LH)	1	563	563	653
18	Diff. Bearing Cone (RH)	1	467	497	42381
	Diff. Bearing Cone (LH)	1	567	567	665
	WHEEL DIFF. CASE KIT (Includes Items 19-20) To service axles with 88678 case: 1/2" Bolt 5/8" Bolt	1 1 1	----- 96794 94799	----- ----- -----	----- ----- -----
	To service axles with 110138 case: Ratios 3.36-5.29 Ratios 5.57-7.17 (Above kits include 110243 adjuster)	1 1 1	106397 94799	106397 94799	----- ----- -----
	Ratios 3.55-4.11 Ratios 4.33-6.67	1 1	----- -----	----- -----	98610 98611
19	Diff. Case (Plain Half) (NSS)	1	110138	110138	86777
	Diff. Case (Flanged Half) (NSS)	1	-----	-----	-----
	1/2" Bolt	1	91114	-----	-----
	5/8" Bolt	1	88677	-----	-----
	Ratios 3.36-5.29	1	193865	193865	-----
	Ratios 5.57-7.17	1	88677	88677	-----
	Ratios 3.55-4.11	1	-----	-----	88501
	Ratios 4.33-6.67	1	-----	-----	88776
20	Diff. Case Capscrew	12	96271	96271	88503
	WHEEL DIFF. KIT (Contains Items 21-25 including required side gear)	1	-----	114470	114472
	17 Series	1	114469	-----	-----
	18, 21 Series	1	114470	-----	-----

NSS = Not Sold Separately

PARTS LISTED IN THIS CATALOG ARE NOT NECESSARILY MANUFACTURED BY THE ORIGINAL EQUIPMENT MANUFACTURER AND ANY REFERENCE TO THE TRADEMARKS OR PART NUMBERS OF OTHERS ARE FOR CROSS REFERENCE INFORMATIONAL PURPOSES ONLY. THE TRADEMARKS OF OTHERS REFERRED TO HEREIN ARE OWNED BY THEIR RESPECTIVE COMPANIES AND ARE NOT AFFILIATED IN ANY WAY WITH MIDWEST TRUCK & AUTO PARTS, INC. MOTIVE GEAR® AND WORLD AMERICAN® ARE THE REGISTERED TRADEMARKS OF MIDWEST TRUCK & AUTO PARTS, INC. USE OF THE ® IN CONNECTION WITH A MARK OF MIDWEST TRUCK & AUTO PARTS, INC. INDICATES THAT THE MARK IS REGISTERED IN AT LEAST THE UNITED STATES. NO REPRESENTATION IS MADE WITH RESPECT TO THE SOURCE OF MANUFACTURE OF ANY PARTICULAR PART. © 2005, MIDWEST TRUCK & AUTO PARTS, INC. ALL RIGHTS RESERVED.

EATON®

SINGLE AXLE DIFFERENTIAL - SINGLE REDUCTION (Cont'd)

ITEM NO.	PART NAME	QTY PER AXLE	17101-21	18101-21	23121
			21121	22121	26121
21	Side Gear Thrust Washer	2	27827	27827	27274
	WHEEL DIFF. KIT LESS SIDE GEARS (Includes Items 21, 23-25)	1	118748	118748	118749
22	Diff. Side Gear				
	Straight Splines	2	37072	37069	-----
	Involute Splines	2	-----	110527	-----
	17 Series	2	110525	-----	-----
	18 & 21 Splines	2	110527	-----	-----
	Involute Splines 22	2	-----	-----	86784
	Involute Splines 36	2	-----	-----	93401
23	Side Pinion	4	104139	104139	86780
24	Spider	1	38289	38289	86778
25	Side Pinion Thrust Washer	4	27810	27810	86781
26	RING GEAR & DRIVE PINION SET (NSS)	1			
			MATCHED PARTS: (SEE SEPARATE LISTING ON PAGE 38)		
27	RING GEAR BOLT & NUT KIT				
	1/2" Fasteners	1	69957	-----	-----
	Bolts	16	69117	-----	-----
	Nuts	16	67592	-----	-----
	5/8" Fasteners	1	70745	70745	70745
	Bolts	16	110686	110686	110686
	Nuts	16	60606	60600	60600
	For use with 5/8" drive gear and 1/2" diff. case holes	1	120780	-----	-----
	Bolts	16	119865	-----	-----
	Nuts	16	67592	-----	-----
28	Pinion Pilot Bearing	1	MUS1307UM	MUS1307UM	MUS1308UM
29	Pinion Bearing Cone (Inner)	1	55200C	72200C	78215C
	Pinion Bearing Cone (Outer)	1	55200C	55200C	72212C
30	Pinion Bearing Spacer	AR			
31	Pinion Bearing Spacer Washer	1	-----	-----	31366
32	Pinion Bearing Cage & Cup Assy (Includes Item 33)	1			
	Ratios 3.55-3.70 (Cage 75107)	1	75108	-----	-----
	Other Ratios (Cage 75109)	1	75110	-----	-----
	(Cage 107495)	1	-----	107496	-----
	(Cage 79245)	1	-----	-----	79246
33	Pinion Bearing Cup (Inner)	1	55437	72487	78551
	Pinion Bearing Cup (Outer)	1	55437	55437	72487
	OIL SEAL & SHIM KITS (Includes Items 34 & 37 & Sealant)	1	114165	115551	115581
34	Pinion Bearing Cage Shims	AR			
	.003"		43588	107567	67920
	.005"		61993	107568	67921
	.010"		43589	107569	67922
	.020"		61994	107570	67923
35	Bearing Cage Capscrew	6	113325	113325	113327
36	Lockwasher	6	-----	-----	90422
37	Oil Seal & Retainer Assy.	1	119427	119427	119432
38	Input Yoke	1	-----	-----	-----
				CALL YOUR SALES REP	
39	Pinion Nut	1	-----	95206	95262
	Ratios 3.55-4.33	1	95206	-----	-----
	Ratios 4.56-7.17	1	95205	-----	-----
40	Flat Washer	1	-----	56864	-----
	(With #95206 Nut)	1	56864	-----	-----
	(With #95205 Nut)	1	4327	-----	-----
	Gasket Compound	1	107276	107276	107276

NSS = Not Sold Separately

PARTS LISTED IN THIS CATALOG ARE NOT NECESSARILY MANUFACTURED BY THE ORIGINAL EQUIPMENT MANUFACTURER AND ANY REFERENCE TO THE TRADEMARKS OR PART NUMBERS OF OTHERS ARE FOR CROSS REFERENCE INFORMATIONAL PURPOSES ONLY. THE TRADEMARKS OF OTHERS REFERRED TO HEREIN ARE OWNED BY THEIR RESPECTIVE COMPANIES AND ARE NOT AFFILIATED IN ANY WAY WITH MIDWEST TRUCK & AUTO PARTS, INC.® MOTIVE GEAR® AND WORLD AMERICAN® ARE THE REGISTERED TRADEMARKS OF MIDWEST TRUCK & AUTO PARTS, INC.® USE OF THE ® IN CONNECTION WITH A MARK OF MIDWEST TRUCK & AUTO PARTS, INC.® INDICATES THAT THE MARK IS REGISTERED IN AT LEAST THE UNITED STATES. NO REPRESENTATION IS MADE WITH RESPECT TO THE SOURCE OF MANUFACTURE OF ANY PARTICULAR PART. © 2005, MIDWEST TRUCK & AUTO PARTS, INC.® ALL RIGHTS RESERVED.

RING GEAR & PINION KITS

MODEL 17101, 18101
GEAR: 16" WITH 5/8" BOLT

<u>GEAR RATIO</u>	<u>GEAR SET</u>	<u>TEETH COUNT</u>
3.70	96619	(37-10)
4.11	95520	(37-9)
4.33	96621	(39-9)
4.33	99930	(39-9)

(SERVICE FOR 1-3/4" DIA. PINION SPLINE)

4.56	96622	(41-9)
4.88	96623	(39-9)
5.29	96624	(37-7)
5.57	96625	(39-7)

MODEL 17121, 18121
GEAR: 16 -1/2" WITH 5/8" BOLT

<u>GEAR RATIO</u>	<u>GEAR SET</u>	<u>TEETH COUNT</u>
5.57	96626	(39-7)
6.14	96627	(43-7)
6.57	113466	(46-7)
7.17	119239	(43-6)

MODEL 21121
GEAR: 3.36-3.70 16";
OTHERS 16-1/2"

<u>GEAR RATIO</u>	<u>GEAR SET</u>	<u>TEETH COUNT</u>
3.36	120763	(37-11)
3.55	111501	(39-11)
3.70	111502	(37-10)
3.90	111503	(39-10)
4.11	111504	(37-9)
4.33	111505	(39-9)
4.56	111506	(41-9)
4.88	111507	(39-8)
5.29	111508	(37-7)
5.57	111509	(39-7)
6.14	111510	(43-7)
6.50	111511	(39-6)
7.17	111512	(43-6)

MODEL 22121
GEAR: 17"

<u>GEAR RATIO</u>	<u>GEAR SET</u>	<u>TEETH COUNT</u>
3.90	107537	(39-10)
4.11	107538	(37-9)
4.33	107539	(39-9)
4.62	107540	(37-8)
4.88	107541	(39-8)
5.29	107542	(37-7)
5.57	107543	(39-7)
6.17	107544	(37-6)
6.50	107545	(39-6)
7.17	107546	(43-6)

All gear sets with 1/2" bolts have been superseded to current product 5/8" bolt gear sets. When making replacements, a nut and bolt kit P/N 120780 must be used.

When replacing 16" gears with 16-1/2" gear sets, cage and cup 75110 is also required.

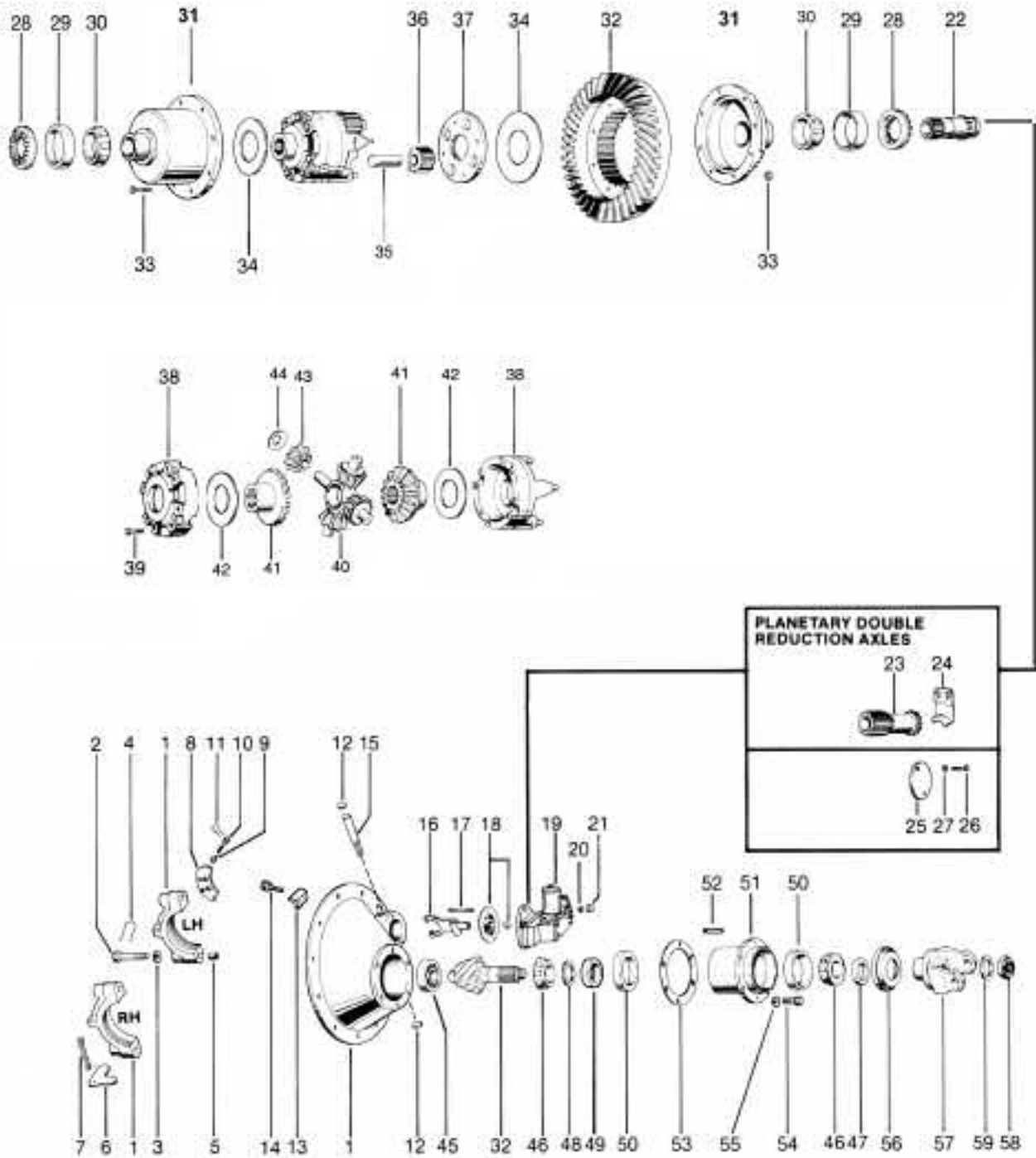
MODEL 23121, 26121 (LATE)
GEAR: 18"

<u>GEAR RATIO</u>	<u>GEAR SET</u>	<u>TEETH COUNT</u>
3.55	111352	(39-11)
3.70	98264	(37-10)
3.90	99899	(39-10)
4.11	98265	(37-9)
4.33	98101	(39-9)
4.56	98102	(41-9)
4.88	98103	(39-8)
5.43	98104	(38-7)
6.17	98105	(37-6)
6.67	98106	(40-6)

PARTS LISTED IN THIS CATALOG ARE NOT NECESSARILY MANUFACTURED BY THE ORIGINAL EQUIPMENT MANUFACTURER AND ANY REFERENCE TO THE TRADEMARKS OR PART NUMBERS OF OTHERS ARE FOR CROSS REFERENCE INFORMATIONAL PURPOSES ONLY. THE TRADEMARKS OF OTHERS REFERRED TO HEREIN ARE OWNED BY THEIR RESPECTIVE COMPANIES AND ARE NOT AFFILIATED IN ANY WAY WITH MIDWEST TRUCK & AUTO PARTS, INC.® MOTIVE GEAR® AND WORLD AMERICAN® ARE THE REGISTERED TRADEMARKS OF MIDWEST TRUCK & AUTO PARTS, INC.® USE OF THE ® IN CONNECTION WITH A MARK OF MIDWEST TRUCK & AUTO PARTS, INC.® INDICATES THAT THE MARK IS REGISTERED IN AT LEAST THE UNITED STATES. NO REPRESENTATION IS MADE WITH RESPECT TO THE SOURCE OF MANUFACTURE OF ANY PARTICULAR PART. © 2005, MIDWEST TRUCK & AUTO PARTS, INC.® ALL RIGHTS RESERVED.

EATON®

SINGLE AXLE 2-SPEED GEAR SETS



PARTS LISTED IN THIS CATALOG ARE NOT NECESSARILY MANUFACTURED BY THE ORIGINAL EQUIPMENT MANUFACTURER AND ANY REFERENCE TO THE TRADEMARKS OR PART NUMBERS OF OTHERS ARE FOR CROSS REFERENCE INFORMATIONAL PURPOSES ONLY. THE TRADEMARKS OF OTHERS REFERRED TO HEREIN ARE OWNED BY THEIR RESPECTIVE COMPANIES AND ARE NOT AFFILIATED IN ANY WAY WITH MIDWEST TRUCK & AUTO PARTS, INC.® MOTIVE GEAR® AND WORLD AMERICAN® ARE THE REGISTERED TRADEMARKS OF MIDWEST TRUCK & AUTO PARTS, INC.® USE OF THE ® IN CONNECTION WITH A MARK OF MIDWEST TRUCK & AUTO PARTS, INC.® INDICATES THAT THE MARK IS REGISTERED IN AT LEAST THE UNITED STATES. NO REPRESENTATION IS MADE WITH RESPECT TO THE SOURCE OF MANUFACTURE OF ANY PARTICULAR PART. © 2005, MIDWEST TRUCK & AUTO PARTS, INC.® ALL RIGHTS RESERVED.

SINGLE AXLE 2-SPEED GEAR SETS

ITEM NO.	PART NAME	QTY. PER AXLE	17201-21						35327
			15201	16244	17301-21	18201-21	18301-21	23221	
			15301	16344	21221	22221	26221	26321	
	Bearing, Seal & Gasket Kit	1	RA24R	RA23DR	RA1R	110635	RA72AR	110604	
		1	-----	-----	-----	-----	110572	-----	
		1	-----	-----	-----	-----	110598	-----	
1	Diff. Carrier & Bearing Caps Carrier Casting No. (NSS) 76929 (Includes Items 1-4, 12, 15, 17, 20, 21, 25 and Sealant) 76930 (Includes Items 1-4, 12, 15, 20, 21, 25) 67759 (Includes Items 1-5, 12, 15, 17, 20, 21, 25 and Sealant) 109365 (Includes Items 1-5, 12, 15, 17, 18, 20, 21, 25 and Sealant) 98590 (Includes Items 1-5, 9, 12, 15, 17, 18, 20, 21, 25 and Sealant)	1	76929 113641	76930 113643	67759 119856	109365 107493	98590 98496	98590 98496	
2	Bearing Capscrew	4	90036	14970	32732	32732	32732	32732	
3	Flat Washer	4	-----	-----	32912	32912	32912	32912	
4	Lockwire	2	12563	90536	90538	90538	12563	12563	
5	Dowel Bushing	2	-----	-----	32730	32730	32730	32730	
6	Bearing Cup Adjuster Lock (RH)	1	90186	13377	13377	13377	14275	14275	
7	Cotter Pin (RH)	1	90873	90873	90873	90873	90876	90876	
8	Bearing Cap Adjuster Lock (LH)	1	10602	14949	37745	37745	78926	78926	
9	Dowel Bushing (LH)	2	-----	-----	37746	37746	37746	37746	
10	Capscrew (LH)	2	126076	9820	37747	37747	12562	12562	
11	Lockwire (LH)	2	12563	90533	12563	12563	12563	12563	
12	Upper Expansion Plug	1	9797	9797	30703	30703	30703	30703	
	Lower Expansion Plug	1	9797	9797	9797	9797	9797	9797	
13	Oil Scraper (Not in 110598)	1	67814	67814	67814	-----	67814	-----	
14	Scraper Capscrew (Not in 110598)	2	67815	67815	67815	-----	67815	-----	
	2-SPEED ONLY PARTS								
15	Shift Fork Shaft Assembly	1	113800	113800	113801	113801	113801	-----	
	'O' Ring		113140	113140	113140	113140	113140	-----	
16	Shift Fork & Roller Assy	1	32326	32425	32613	32613	32679	-----	
17	Shift Fork Mounting Stud	2	119863	119863	119863	119863	119863	-----	
18	Shift Fork Seal & Spring Assy	1	119855	119855	119855	119855	119855	-----	
19	Shift Unit Assy.	1	CALL YOUR SALES REP						
20	Flat Washer	2	119857	119857	119857	119857	119857	-----	
21	Stud Nut	2	63028	63028	63028	63028	63028	-----	
	SLIDING CLUTCH SERVICE KIT (Includes Items 22, 28-LH, 34-LH, 37)	1	98089	95371	60608	60608	60609	-----	
22	Sliding Clutch	1	113599	113629	113596	113596	113593	-----	
	PDR ONLY PARTS								
	SUN GEAR SERVICE KIT (Includes Items 23-28-LH, 34-LH, 37)	1	-----	99552	62040	62040	62041	62041	
23	Sun Gear	6	113601	113631	113598	113598	113595	113595	
24	Sun Gear Retainer	1	45615	45325	43178	43178	43178	43178	
25	Shift Fork Opening Cover	1	45521	45521	45521	45521	45521	45521	
26	Stud/Screw	2	20807	20807	20807	119863	20807	20807	
27	Flat Washer	2	90415	90415	90415	119857	90415	90415	
28	Diff. Bearing Adjuster (RH)	1	10524	110243	110243	110243	21637	21637	
	Diff. Bearing Adjuster (LH)	1	74055	74022	56932	56932	56929	56929	
29	Diff. Bearing Cup (RH)	1	33472	493	493	439	42584	42584	
	Diff. Bearing Cup (LH)	1	493	42584	56650	56650	68712	68712	
30	Diff. Bearing Cone (RH)	1	33275	495A	497	497	42346	42381	
	Diff. Bearing Cone (LH)	1	498	42381	56425	56425	-----	-----	
	(W/Support Case 103537)	1	-----	-----	-----	-----	102660	102660	
	(W/Support Case 27950 NOTE 2)	1	-----	-----	-----	-----	21633	21633	

NSS = Not Sold Separately

PARTS LISTED IN THIS CATALOG ARE NOT NECESSARILY MANUFACTURED BY THE ORIGINAL EQUIPMENT MANUFACTURER AND ANY REFERENCE TO THE TRADEMARKS OR PART NUMBERS OF OTHERS ARE FOR CROSS REFERENCE INFORMATIONAL PURPOSES ONLY. THE TRADEMARKS OF OTHERS REFERRED TO HEREIN ARE OWNED BY THEIR RESPECTIVE COMPANIES AND ARE NOT AFFILIATED IN ANY WAY WITH MIDWEST TRUCK & AUTO PARTS, INC.® MOTIVE GEAR® AND WORLD AMERICAN® ARE THE REGISTERED TRADEMARKS OF MIDWEST TRUCK & AUTO PARTS, INC.® USE OF THE ® IN CONNECTION WITH A MARK OF MIDWEST TRUCK & AUTO PARTS, INC.® INDICATES THAT THE MARK IS REGISTERED IN AT LEAST THE UNITED STATES. NO REPRESENTATION IS MADE WITH RESPECT TO THE SOURCE OF MANUFACTURE OF ANY PARTICULAR PART. © 2005, MIDWEST TRUCK & AUTO PARTS, INC.® ALL RIGHTS RESERVED.

EATON®

SINGLE AXLE 2-SPEED GEAR SETS (Cont'd)

ITEM NO.	PART NAME	QTY. PER AXLE	17201-21 17301-21 18201-21 18301-21 21221 22221 21321 22321 23221 23321 26221 26321 35327						
			15201 15301	16244 16344	17201-21 17301-21 18201-21 18301-21	21221 22221 21321	22221 22321	23221 23321 26221 26321	35327
31	Gear Support Case (RH)	1	20759	27860	110148	110148	21619	108138	
	Gear Support Case (LH)	1	13385	27859	27838	27838	106471	106471	
	(106471 includes 102660 Cone)								
32	RING GEAR & DRIVE PINION SET (NSS)		MATCHED PARTS: (SEE SEPARATE LISTING ON PAGE 43)						
33	RING GEAR BOLT & NUT KIT	1	121448	121449	87955	87955	87955	87955	
	Bolt	8	44355	44356	44358	44358	44358	44358	
	Nut	8	60597	60598	60599	60599	60599	60599	
	Kit 121448 contains 6 each bolts and nuts								
34	Gear Support Thrust Washer (RH)	1	20850	18346	27827	27827	18198	83726	
	Gear Support Thrust Washer (LH)	1	43268	43269	43270	43270	43271	43271	
35	Idler Pinion Pin	4	20821	14935	27861	27861	27953	106144	
36	Idler Pinion	4	74057	27875	27835	27835	27952	27952	
37	High-Speed Clutch Plate	1	74056	74023	56931	56931	56928	56928	
	WHEEL DIFF. CASE KIT	1	52112	NOTE 1	101878	101878	98584	109270	
	(Includes Items 38-39)								
38	Diff. Case w/clutch plate pin	1	408237	NOTE 1	98182	98182	98183	108146	
	Diff. Case (LH)		71880	NOTE 1	96278	96278	96280	108139	
	Diff. Case (RH)		71881	NOTE 1	96279	96279	96281	108140	
39	Diff. Case Capscrew	8	109237	109238	96283	96283	96284	96284	
	Diff. Case Capscrew	4	-----	-----	-----	-----	96285	96285	
	WHEEL DIFF. KIT (Includes Items 40-44)								
	Involute Side Gear	1	114467	114242	-----	114470	114474	109267	
	17 Series	1	-----	-----	114469	-----	-----	-----	
	18, 21 Series	1	-----	-----	114470	-----	-----	-----	
40	Spider	1	20766	25971	38289	38289	107371	108141	
41	Diff. Side Gear								
	22 Involute Splines	2	-----	-----	-----	-----	98257	-----	
	34 Involute Splines	2	110522	-----	-----	-----	110528	-----	
	36 Involute Splines	2	-----	110524	-----	-----	110528	-----	
	39 Involute Splines	2	-----	-----	110525	-----	-----	108143	
	41 Involute Splines	2	-----	-----	110527	110527	-----	-----	
	16 Straight Splines								
	(IHC 15 Series Only)	2	110510	102497	37072	-----	-----	-----	
	16 Angular Splines								
	(Chrysler® 15 Series Only)	2	110509	102498	-----	-----	-----	-----	
	19 Angular Splines	2	102511	-----	-----	-----	-----	-----	
42	Side Gear Thrust Washer	2	20850	18346	27827	27827	18198	83726	
43	Side Pinion	4	102512	102500	104139	104139	96900	108142	
44	Side Pinion Thrust Washer	4	25968	64467	27810	27810	18199	108145	
	WHEEL DIFF. KIT LESS SIDE GEARS								
	(Includes Items 42-44)	1	118746	118747	118748	118748	118750	118751	
45	Pinion Pilot Bearing	1	MU1305TDM	MUS1307UM	MUS1307UM	MUS1307UM	MUS1308UM	MUS1308UM	
46	Pinion Bearing Cone (Inner)	1	HM903249	55175C	55200C	72200C	78215C	78215C	
	Pinion Bearing Cone (Outer)	1	HM903249	55175C	55200C	55200C	72212C	72212C	
47	Flat Washer	1	12904	-----	-----	-----	-----	-----	
48	Pinion Bearing Spacer	AR							
	CALL YOUR SALES REP								
49	Spacer Washer	1	-----	-----	-----	-----	31366	31366	
50	Pinion Bearing Cup (Inner)	1	HM903210	55437	55437	72487	78551	78551	
	Pinion Bearing Cup (Outer)	1	HM903210	55437	55437	75487	72487	72487	
51	Pinion Bearing Cage & Cup Assy	1							
	(Cage 76896)	1	76897	-----	-----	-----	-----	-----	
	(Cage 75107) 16" Ring Gear	1	-----	-----	75108	-----	-----	-----	
	(Cage 75109) 16-1/2" Ring Gear	1	-----	75110	75110	-----	-----	-----	
	(Cage 107495)	1	-----	-----	-----	107496	-----	-----	
	(Cage 79245)	1	-----	-----	-----	-----	79246	79246	
52	Dowel Pin	1	90654	-----	-----	-----	-----	-----	

NSS = Not Sold Separately

PARTS LISTED IN THIS CATALOG ARE NOT NECESSARILY MANUFACTURED BY THE ORIGINAL EQUIPMENT MANUFACTURER AND ANY REFERENCE TO THE TRADEMARKS OR PART NUMBERS OF OTHERS ARE FOR CROSS REFERENCE INFORMATIONAL PURPOSES ONLY. THE TRADEMARKS OF OTHERS REFERRED TO HEREIN ARE OWNED BY THEIR RESPECTIVE COMPANIES AND ARE NOT AFFILIATED IN ANY WAY WITH MIDWEST TRUCK & AUTO PARTS, INC.® MOTIVE GEAR® AND WORLD AMERICAN® ARE THE REGISTERED TRADEMARKS OF MIDWEST TRUCK & AUTO PARTS, INC.® USE OF THE ® IN CONNECTION WITH A MARK OF MIDWEST TRUCK & AUTO PARTS, INC.® INDICATES THAT THE MARK IS REGISTERED IN AT LEAST THE UNITED STATES. NO REPRESENTATION IS MADE WITH RESPECT TO THE SOURCE OF MANUFACTURE OF ANY PARTICULAR PART. © 2005, MIDWEST TRUCK & AUTO PARTS, INC.® ALL RIGHTS RESERVED.

EATON®

2-SPEED GEAR SETS (Cont'd)

ITEM NO.	PART NAME	QTY. PER AXLE	17201-21 17301-21 18201-21 18301-21						23221 23321 26221 26321	35327
			15201 15301	16244 16344	21221 21321	22221 22321	11552	11582		
	OIL SEAL & SHIM KITS	1	115450 OR 114265	114104	114104	11552	11582	11582		
53	Pinion Bearing Cage Shims .003" .005" .010" .020"	AR	75968 75969 75970 75971	43588 61991 43589 61994	43588 61991 43589 61994	107567 107568 107569 107570	67920 67921 67922 67923	67920 67821 67922 67923		
54	Bearing Cage Capscrew	6	113325	113325	113325	113325	113327	113327		
55	Lockwasher	6	-----	-----	-----	-----	90422	90422		
56	Oil Seal	1	722250	9773	9773	9773	712937	712937		
57	Input Yoke (Call Your Sales Rep)	1	-----	-----	-----	-----	-----	-----		
58	Pinion Nut Ratios 3.55-4.33 Ratios 4.56-7.17	1 1 1	95203 ----- -----	95204 ----- -----	----- 95206 95205	----- 95206 -----	95262 ----- -----	95262 ----- -----		
59	Flat Washer (With #95206 Nut) (With #95206 Nut)	1 1 1	23991 ----- -----	14354 ----- -----	----- 56864 4327	56864 ----- -----	----- ----- -----	----- ----- -----		
	Gasket Compound	1	107276	107276	107276	107276	107276	107276		

NOTE 1: Wheel Diff. Kit **51559** may be updated. If the diff. case needs replacement, the entire wheel diff. assembly may be upgraded. Upgraded kits vary by side gear.

UPGRADE

KIT NO.

121962

121963

121964

121965

SIDE GEAR

126000 (36 Involute)

210386 (30 Involute)

210387 (16 Angular)

210388 (16 Straight)

VEHICLE MFG.

Ford®, Navistar®, GMC®

Mack® Midliner®

Ford® (Before 2/1/86)

Navistar®, GMC® (Before 2/1/86)

The above kits contain the side gear specified, plus:

- 126001 Side Pinion
- 126002 Spider
- 126003 Side Pinion Thrust Washer
- 126004 Side Gear & Support Case Thrust Washer
- 126006 Diff. Case with Clutch Plate Pin
- 126007 Diff. Case
- 126008 Idler Pinion Pin
- 126009 Gear Support Case
- 126075 Capscrew
- 109238 Capscrew

NOTE 2: Earlier models used a 27950 case. This case is no longer available and has been superseded by 103527. However, the 103527 case does not have to be used when converting to the larger differential parts. Continue using the 27950 case and 21633 bearing if serviceable. If the 27950 case is unserviceable, order Parts Kit 106471. Kit 106471 contains the 103537 case and 102660 bearing, which must be used together.

PARTS LISTED IN THIS CATALOG ARE NOT NECESSARILY MANUFACTURED BY THE ORIGINAL EQUIPMENT MANUFACTURER AND ANY REFERENCE TO THE TRADEMARKS OR PART NUMBERS OF OTHERS ARE FOR CROSS REFERENCE INFORMATIONAL PURPOSES ONLY. THE TRADEMARKS OF OTHERS REFERRED TO HEREIN ARE OWNED BY THEIR RESPECTIVE COMPANIES AND ARE NOT AFFILIATED IN ANY WAY WITH MIDWEST TRUCK & AUTO PARTS, INC.® MOTIVE GEAR® AND WORLD AMERICAN® ARE THE REGISTERED TRADEMARKS OF MIDWEST TRUCK & AUTO PARTS, INC.® USE OF THE ® IN CONNECTION WITH A MARK OF MIDWEST TRUCK & AUTO PARTS, INC.® INDICATES THAT THE MARK IS REGISTERED IN AT LEAST THE UNITED STATES. NO REPRESENTATION IS MADE WITH RESPECT TO THE SOURCE OF MANUFACTURE OF ANY PARTICULAR PART. © 2005, MIDWEST TRUCK & AUTO PARTS, INC.® ALL RIGHTS RESERVED.

EATON®

2-SPEED AND PLANETARY DOUBLE REDUCTION

RING GEAR & PINION SETS

MODEL 15201, 15301 GEAR: 14-1/4"

GEAR RATIO	GEAR SET	TEETH COUNT
4.46/6.34	98754	(41-9)
5.14/7.16	98755	(36-7)
5.57/7.75	110180	(39-7)
5.86/8.15	113450	(41-7)
6.29/8.74	113451	(44-7)

MODEL 16244, 16344 GEAR: 15-1/2"

GEAR RATIO	GEAR SET	TEETH COUNT
4.11/5.72	107947	(37-9)
4.56/6.34	96797	(41-9)
4.88/6.78	96798	(39-8)
5.29/7.36	118928	(37-7)
5.57/7.75	96799	(39-7)
6.14/8.55	111395	(43-7)
6.57/9.14	113455	(46-7)
7.17/9.97	96802	(43-6)



MODEL 17201, 17301, 18201, 18301 GEAR: 16"

GEAR RATIO	GEAR SET	TEETH COUNT
3.70/5.05	96833	(37-10)
4.11/5.61	96834	(37-9)
4.33/5.91	96835	(39-9)
4.56/6.21	96836	(41-9)
4.88/6.65	96837	(39-8)
5.29/7.21	96838	(37-7)
5.57/7.60	96839	(39-7)

MODEL 17221, 17321, 18221, 18321 GEAR: 16-1/2"

GEAR RATIO	GEAR SET	TEETH COUNT
5.57/7.60	96840	(39-7)
6.14/8.38	96841	(43-7)
6.57/8.96	113467	(46-7)
7.17/9.77	96843	(43-6)

MODEL 21221, 21321 GEAR: 3.55/4.84-3.70/5.05 16" OTHERS: 16-1/2"

GEAR RATIO	GEAR SET	TEETH COUNT
3.55/4.84	111513	(39-11)
3.70/5.05	111514	(37-10)
3.90/5.31	111526	(39-10)
4.11/5.61	111515	(37-9)
4.33/5.91	111516	(39-9)
4.56/6.21	111517	(41-9)
4.88/6.65	111518	(39-8)
5.29/7.21	111519	(37-7)
5.57/7.60	111520	(39-7)
6.14/8.38	111521	(43-7)
6.50/8.86	111522	(39-6)
7.17/9.77	111523	(43-6)

MODEL: 22221, 22321 GEAR: 17"

GEAR RATIO	GEAR SET	TEETH COUNT
3.90/5.32	107557	(39-10)
4.11/5.61	107558	(37-9)
4.33/5.91	107559	(39-9)
4.62/6.31	107560	(37-8)
4.88/6.65	107561	(39-8)
5.29/7.21	107562	(37-7)
5.57/7.60	107563	(39-7)
6.17/8.40	107564	(37-6)
6.50/8.86	107565	(39-6)
7.17/9.77	107566	(43-6)

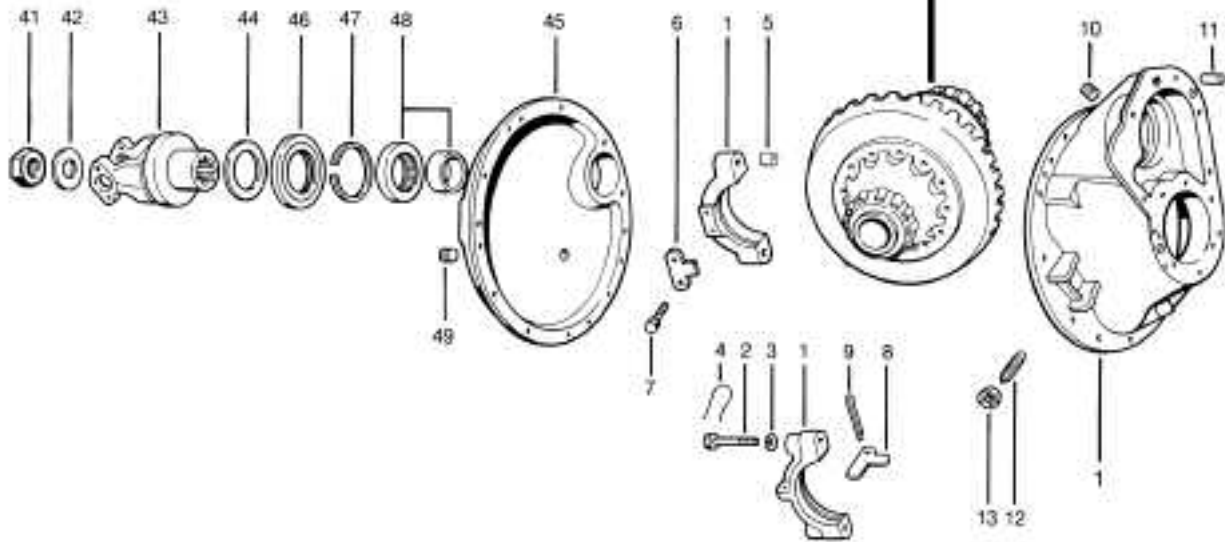
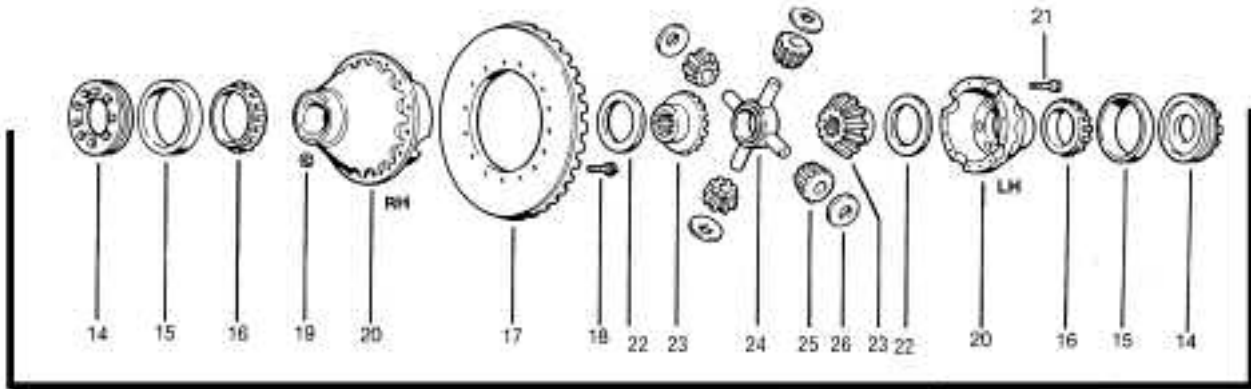
MODEL: 23221, 23321, 26221, 26321, 35327 GEAR: 18"

GEAR RATIO	GEAR SET	TEETH COUNT
3.70/5.04	98107	(37-10)
4.11/5.60	98108	(37-9)
4.33/5.90	98109	(39-9)
4.56/6.21	98110	(41-9)
4.88/6.64	98111	(39-8)
5.43/7.39	98112	(38-7)
6.17/8.40	98113	(37-6)
6.67/9.08	98114	(40-6)

PARTS LISTED IN THIS CATALOG ARE NOT NECESSARILY MANUFACTURED BY THE ORIGINAL EQUIPMENT MANUFACTURER AND ANY REFERENCE TO THE TRADEMARKS OR PART NUMBERS OF OTHERS ARE FOR CROSS REFERENCE INFORMATIONAL PURPOSES ONLY. THE TRADEMARKS OF OTHERS REFERRED TO HEREIN ARE OWNED BY THEIR RESPECTIVE COMPANIES AND ARE NOT AFFILIATED IN ANY WAY WITH MIDWEST TRUCK & AUTO PARTS, INC.® MOTIVE GEAR® AND WORLD AMERICAN® ARE THE REGISTERED TRADEMARKS OF MIDWEST TRUCK & AUTO PARTS, INC.® USE OF THE ® IN CONNECTION WITH A MARK OF MIDWEST TRUCK & AUTO PARTS, INC.® INDICATES THAT THE MARK IS REGISTERED IN AT LEAST THE UNITED STATES. NO REPRESENTATION IS MADE WITH RESPECT TO THE SOURCE OF MANUFACTURE OF ANY PARTICULAR PART. © 2005, MIDWEST TRUCK & AUTO PARTS, INC.® ALL RIGHTS RESERVED.

EATON®

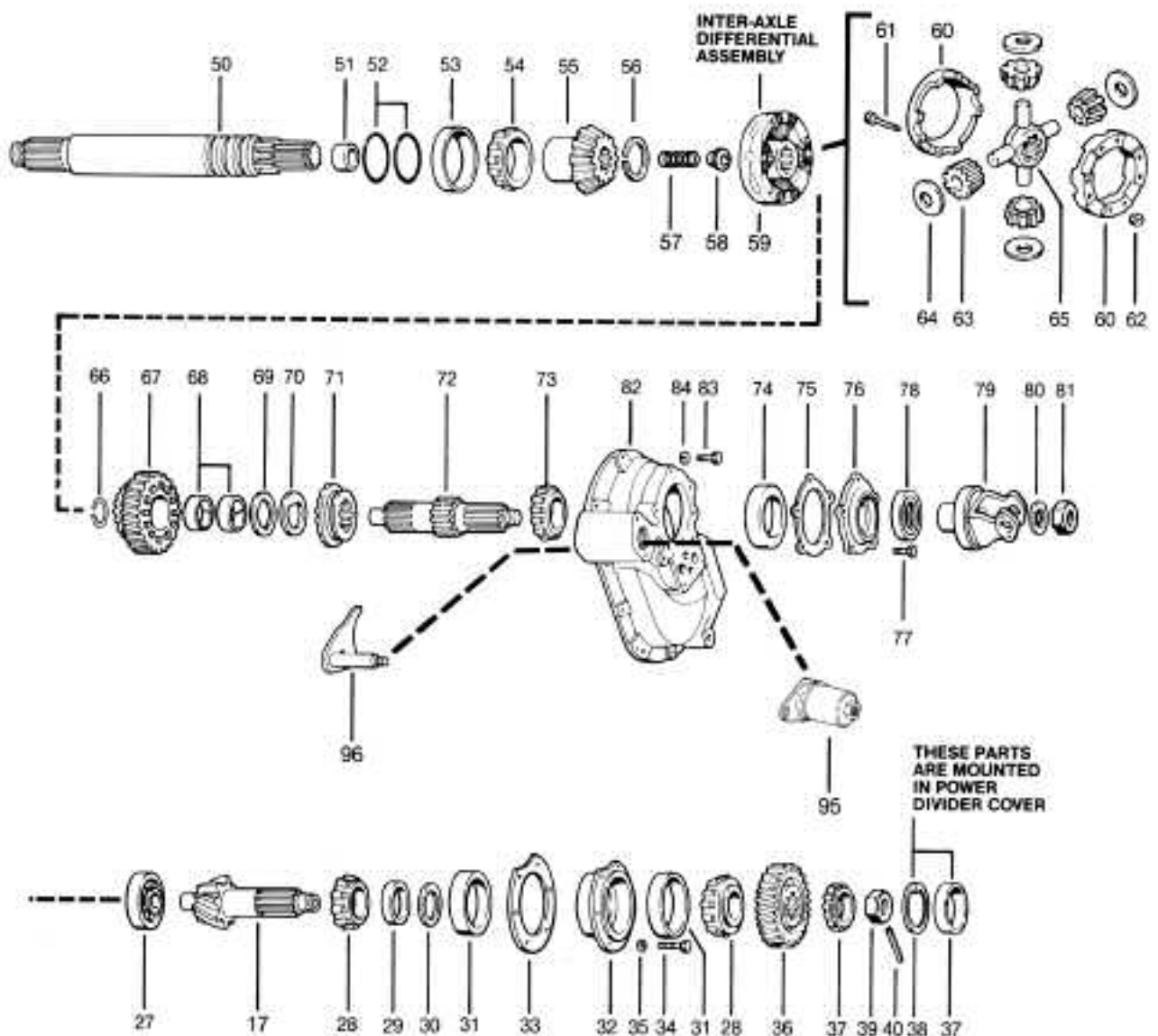
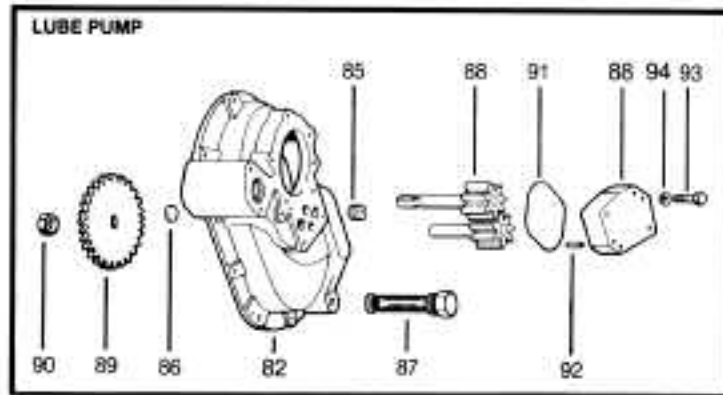
MODELS: DSS461-P, DS521, DS581-P



PARTS LISTED IN THIS CATALOG ARE NOT NECESSARILY MANUFACTURED BY THE ORIGINAL EQUIPMENT MANUFACTURER AND ANY REFERENCE TO THE TRADEMARKS OR PART NUMBERS OF OTHERS ARE FOR CROSS REFERENCE INFORMATIONAL PURPOSES ONLY. THE TRADEMARKS OF OTHERS REFERRED TO HEREIN ARE OWNED BY THEIR RESPECTIVE COMPANIES AND ARE NOT AFFILIATED IN ANY WAY WITH MIDWEST TRUCK & AUTO PARTS, INC.® MOTIVE GEAR® AND WORLD AMERICAN® ARE THE REGISTERED TRADEMARKS OF MIDWEST TRUCK & AUTO PARTS, INC.® USE OF THE ® IN CONNECTION WITH A MARK OF MIDWEST TRUCK & AUTO PARTS, INC.® INDICATES THAT THE MARK IS REGISTERED IN AT LEAST THE UNITED STATES. NO REPRESENTATION IS MADE WITH RESPECT TO THE SOURCE OF MANUFACTURE OF ANY PARTICULAR PART. © 2005, MIDWEST TRUCK & AUTO PARTS, INC.® ALL RIGHTS RESERVED.

EATON®

MODELS: DS461-P, DS521-P, DS581-P (Cont'd)



PARTS LISTED IN THIS CATALOG ARE NOT NECESSARILY MANUFACTURED BY THE ORIGINAL EQUIPMENT MANUFACTURER AND ANY REFERENCE TO THE TRADEMARKS OR PART NUMBERS OF OTHERS ARE FOR CROSS REFERENCE INFORMATIONAL PURPOSES ONLY. THE TRADEMARKS OF OTHERS REFERRED TO HEREIN ARE OWNED BY THEIR RESPECTIVE COMPANIES AND ARE NOT AFFILIATED IN ANY WAY WITH MIDWEST TRUCK & AUTO PARTS, INC.® MOTIVE GEAR® AND WORLD AMERICAN® ARE THE REGISTERED TRADEMARKS OF MIDWEST TRUCK & AUTO PARTS, INC.® USE OF THE ® IN CONNECTION WITH A MARK OF MIDWEST TRUCK & AUTO PARTS, INC.® INDICATES THAT THE MARK IS REGISTERED IN AT LEAST THE UNITED STATES. NO REPRESENTATION IS MADE WITH RESPECT TO THE SOURCE OF MANUFACTURE OF ANY PARTICULAR PART. © 2005, MIDWEST TRUCK & AUTO PARTS, INC.® ALL RIGHTS RESERVED.

EATON®

MODELS: DS461-P, DS521-P, DS581-P

ITEM NO.	PART NAME	QTY PER AXLE	DS461-P DS521-P DS581-P	REMARKS
	Bearing, Seal & Gasket Kit	1	RA208R	
1	Diff. Carrier & Bearing Caps Carrier Casting No. 126070 (NSS)	1	122474	Includes Items 2-5, 10-13
2	Bearing Capscrew	4	32732	
3	Flat Washer	4	32912	
4	Lockwire	4	12563	
5	Dowel Bushing	2	32730	
6	Bearing Cap Adjuster Lock (RH)	1	45448	
7	Capscrew (RH)	2	210601	
8	Bearing Cap Adjuster Lock (LH)	1	14275	
9	Cotter Pin (LH)	1	90876	
10	Filler Plug	1	90325	
11	Carrier Cover Dowel Pin	2	7641	
12	Ring Gear Thrust Screw	1	126193	
13	Thrust Screw Jam Nut	1	210184	
14	Diff. Bearing Adjuster & Cup Assy (RH) (Adjuster 78940) (NSS)	1	79898	Includes Items 15 (RH Only)
	Diff. Bearing Adjuster (LH)	1	21637	
15	Diff. Bearing Cup (RH)	1	653	
	Diff. Bearing Cup (LH)	1	42584	
16	Diff. Bearing Cone (RH)	1	665	
	Diff. Bearing Cone (LH)	1	42381	
17	RING GEAR & DRIVE PINION SET	1	MATCHED PARTS: (SEE SEPARATE LISTING ON PAGE 49)	
	RING GEAR BOLT & NUT KIT	1	70745	Includes Items 18-19
18	Bolt	16	67586	
19	Nut	16	60600	
	WHEEL DIFF. CASE KIT	1	98610	Ratios 3.55-4.11
	Includes Items 20-21	1	121845	Ratios 4.33-6.17
20	Diff. Case (Flanged Half) (NSS)	1	88501	Ratios 3.55-4.11
			126234	Ratios 4.33-6.17
	Diff Case (RH) (NSS)	1	86777	
21	Diff. Case Capscrew	12	85503	
	WHEEL DIFF. SIDE GEAR & PINION KIT	1	114472	Includes Items 22-26
	WHEEL DIFF. KIT LESS SIDE GEARS	1	118749	Includes Items 22, 24-26
22	Side Gear Thrust Washer	2	27247	
23	Diff. Side Gear (36 Involute)	2	93401	
24	Spider	1	86778	
25	Side Pinion	4	86780	
26	Side Pinion Thrust Washer	4	86781	
27	Pinion Pilot Bearing	1	MUS1308UM	
28	Pinion Bearing Cone	2	72212C	
29	Pinion Bearing Spacer Washer	1	78904	
30	Pinion Bearing Spacer	AR		CALL YOUR SALES REP
31	Pinion Bearing Cup	2	72487	
32	Pinion Bearing Cage & Cup Assy Includes Item 31	1	78914	Case (78932)
33	Pinion Bearing Cage Shim	AR		
	.003"		45461	
	.005"		62829	
	.010"		45462	
	.020"		62830	
34	Bearing Cage Capscrew	6	62158	
35	Lockwasher	6	37207	
36	Pinion Helical Gear	1	119995	
37	Outer Pinion Support Bearing & Race	1		MU1309CV
38	Outer Pinion Bearing Snap Ring	1	78937	
39	Pinion Shaft End Nut	1	126182	
40	Pinion Nut Spring Pin	1	118807	

NSS = Not Sold Separately

PARTS LISTED IN THIS CATALOG ARE NOT NECESSARILY MANUFACTURED BY THE ORIGINAL EQUIPMENT MANUFACTURER AND ANY REFERENCE TO THE TRADEMARKS OR PART NUMBERS OF OTHERS ARE FOR CROSS REFERENCE INFORMATIONAL PURPOSES ONLY. THE TRADEMARKS OF OTHERS REFERRED TO HEREIN ARE OWNED BY THEIR RESPECTIVE COMPANIES AND ARE NOT AFFILIATED IN ANY WAY WITH MIDWEST TRUCK & AUTO PARTS, INC.® MOTIVE GEAR® AND WORLD AMERICAN® ARE THE REGISTERED TRADEMARKS OF MIDWEST TRUCK & AUTO PARTS, INC.® USE OF THE ® IN CONNECTION WITH A MARK OF MIDWEST TRUCK & AUTO PARTS, INC.® INDICATES THAT THE MARK IS REGISTERED IN AT LEAST THE UNITED STATES. NO REPRESENTATION IS MADE WITH RESPECT TO THE SOURCE OF MANUFACTURE OF ANY PARTICULAR PART. © 2005, MIDWEST TRUCK & AUTO PARTS, INC.® ALL RIGHTS RESERVED.

EATON®

MODELS: DS461-P, DS521-P, DS581-P (Cont'd)

ITEM NO.	PART NAME	QTY PER AXLE	DS461-P DS521-P DS581-P	REMARKS
41	Output Shaft Nut	1	210508	
42	Output Shaft Washer	1	210509	
43	Output Yoke	1		CALL YOUR SALES REP
44	Rear Bearing Retaining Washer	1	78922	
45	Axle Housing Cover Assy (Cover 84546) (NSS)	1	107863	Includes Items 46-49
	OIL SEAL & SHIM KIT	1	118111	Includes Items 33, 46, 75, 78 & RTV
46	Output Shaft Oil Seal	1	475012N	
47	Bearing Snap Ring	1	78937	
48	Output Shaft Bearing & Sleeve Assy (Matched Parts)	1	MA1211EL	
49	Magnetic Filler Plug	1	75130	
	Temperature Plug	1	90898	
50	Output Shaft Nut & Snap Ring (Shaft 119991, 41 Splines 2.100" dia.) (NSS)	1	122419	Includes Items 41-42, 51-52, 56
51	Output Shaft Bushing	1	48922	
52	Output Shaft "O" Ring	2	78931	
53	Output Shaft Bearing Cup (Inner)	1	33472	
54	Output Shaft Bearing Cone (Inner)	1	33275	
55	Output Shaft Side Gear	1	78911	
56	Side Gear Snap Ring	1	85994	
57	Output Shaft Compression Spring	1	127095	
58	Output Shaft Thrust Bearing	1	51228	
59	Inter-axle Diff. Assy	1	121681	Includes Items 60-65
	Inter-axle Diff. Case Kit	1	211252	Includes 60-62
60	Case Half (NSS)	2	126151	
61	Case Bolt	8	57636	
62	Case Nut	8	57637	
63	Side Pinion	4	95218	
64	Side Pinion Thrust Washer	4	126180	
65	Spider	1	126152	
66	Helical Side Gear Snap Ring	1	78909	
67	Helical Side Gear & Bushing Assy (Side Gear 113328) (NSS)	1	113331	Includes Item 68
68	Helical Side Gear Bushing	2	75063	
69	Helical Side Gear Thrust Washer	1	79034	
70	Helical Side Gear "D" Washer	1	56360	
71	Lockout Sliding Clutch	1	119948	
72	Input Shaft Kit (Shaft 119990, 46 Splines 2.350" dia.) (NSS)	1	122418	Includes Item 81
73	Input Shaft Bearing Cone	1	JM511946	
74	Input Shaft Bearing Cup	1	JM511910	
75	Input Bearing Cover Shim	AR		
	.003"		78918	
	.005"		78919	
	.010"		78920	
	.020"		113130	
76	Input Bearing Cover, Cup & Oil Seal Assy (Cover 111690) (NSS)	1	111691	Includes Items 74, 78
77	Bearing Cover Capscrew	6	126243	
78	Input Shaft Oil Seal	1	415164N	
79	Input Yoke & Slinger	1		CALL YOUR SALES REP
80	Input Shaft Nut Washer	1	126242	
81	Input Shaft Nut	1	126155	
82	Diff. Carrier Cover Assy (Cover 103526) (NSS)	1	103536	Includes Items 85-86
83	Carrier Cover Capscrew	8	90069	(Short)
		1	9309	(Long)
		1	81855	(Socket Head)
84	Lockwasher	10	90417	

NSS = Not Sold Separately

PARTS LISTED IN THIS CATALOG ARE NOT NECESSARILY MANUFACTURED BY THE ORIGINAL EQUIPMENT MANUFACTURER AND ANY REFERENCE TO THE TRADEMARKS OR PART NUMBERS OF OTHERS ARE FOR CROSS REFERENCE INFORMATIONAL PURPOSES ONLY. THE TRADEMARKS OF OTHERS REFERRED TO HEREIN ARE OWNED BY THEIR RESPECTIVE COMPANIES AND ARE NOT AFFILIATED IN ANY WAY WITH MIDWEST TRUCK & AUTO PARTS, INC.® MOTIVE GEAR® AND WORLD AMERICAN® ARE THE REGISTERED TRADEMARKS OF MIDWEST TRUCK & AUTO PARTS, INC.® USE OF THE ® IN CONNECTION WITH A MARK OF MIDWEST TRUCK & AUTO PARTS, INC.® INDICATES THAT THE MARK IS REGISTERED IN AT LEAST THE UNITED STATES. NO REPRESENTATION IS MADE WITH RESPECT TO THE SOURCE OF MANUFACTURE OF ANY PARTICULAR PART. © 2005, MIDWEST TRUCK & AUTO PARTS, INC.® ALL RIGHTS RESERVED.

EATON®

MODELS: DS461-P, DS521-P, DS581-P (Cont'd)

ITEM NO.	PART NAME	QTY PER AXLE	DS461-P DS521-P DS581-P	REMARKS
85	Pipe Plug	1	90325	
86	Expansion Plug	1	9797	
87	Magnetic Filter Screen	1	102611	
88	LUBE PUMP REPLACEMENT KIT	1	121302	Includes Items 89-94
89	Pump Drive Gear	1	119946	
90	Drive Gear Lockout	1	111451	
91	Cover "O" Ring	1	102620	
92	Cover Dowel Pin	2	102617	
93	Cover Capscrew	4	102618	
94	Lockwasher	4	90419	
95	Air-Operated Lockout Assy	1	123218	CALL YOUR SALES REP
96	Shift Fork & Push Rod Assy	1	103529	CALL YOUR SALES REP
	Gasket Compound	AR	107276	

RING GEAR & PINION SETS



FORWARD AXLE MODEL: DS461-P, DS521-P, DS581-P

RATIO	PART#	TEETH COUNT
3.55	122667	(39-11)
3.70	122334	(37-10)
3.90	123333	(39-10)
4.11	122335	(37-9)
4.33	122336	(39-9)
4.56	122337	(41-9)
4.88	122338	(39-8)
5.29	211333	(37-7)
5.43	122339	(38-7)
6.17	122340	(37-6)
6.50	212890	(39-6)

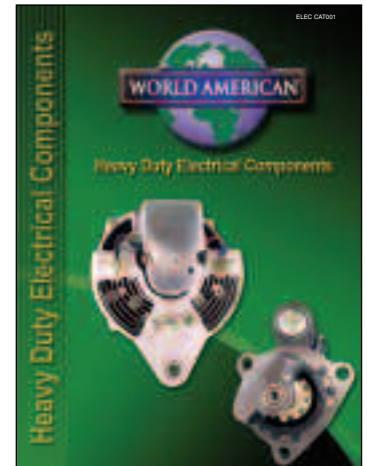
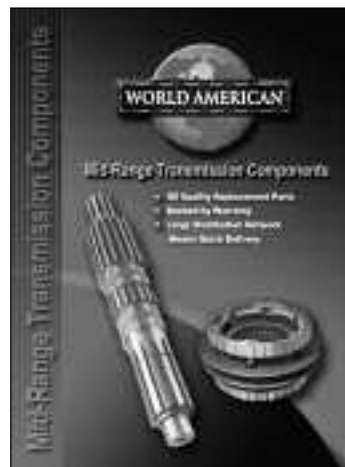
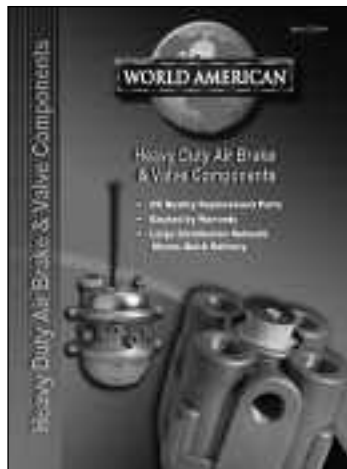
PARTS LISTED IN THIS CATALOG ARE NOT NECESSARILY MANUFACTURED BY THE ORIGINAL EQUIPMENT MANUFACTURER AND ANY REFERENCE TO THE TRADEMARKS OR PART NUMBERS OF OTHERS ARE FOR CROSS REFERENCE INFORMATIONAL PURPOSES ONLY. THE TRADEMARKS OF OTHERS REFERRED TO HEREIN ARE OWNED BY THEIR RESPECTIVE COMPANIES AND ARE NOT AFFILIATED IN ANY WAY WITH MIDWEST TRUCK & AUTO PARTS, INC.® MOTIVE GEAR® AND WORLD AMERICAN® ARE THE REGISTERED TRADEMARKS OF MIDWEST TRUCK & AUTO PARTS, INC.® USE OF THE ® IN CONNECTION WITH A MARK OF MIDWEST TRUCK & AUTO PARTS, INC.® INDICATES THAT THE MARK IS REGISTERED IN AT LEAST THE UNITED STATES. NO REPRESENTATION IS MADE WITH RESPECT TO THE SOURCE OF MANUFACTURE OF ANY PARTICULAR PART. © 2005, MIDWEST TRUCK & AUTO PARTS, INC.® ALL RIGHTS RESERVED.

Did You Know...

This Catalog can be downloaded in
PDF format at:

www.worldamerican.com

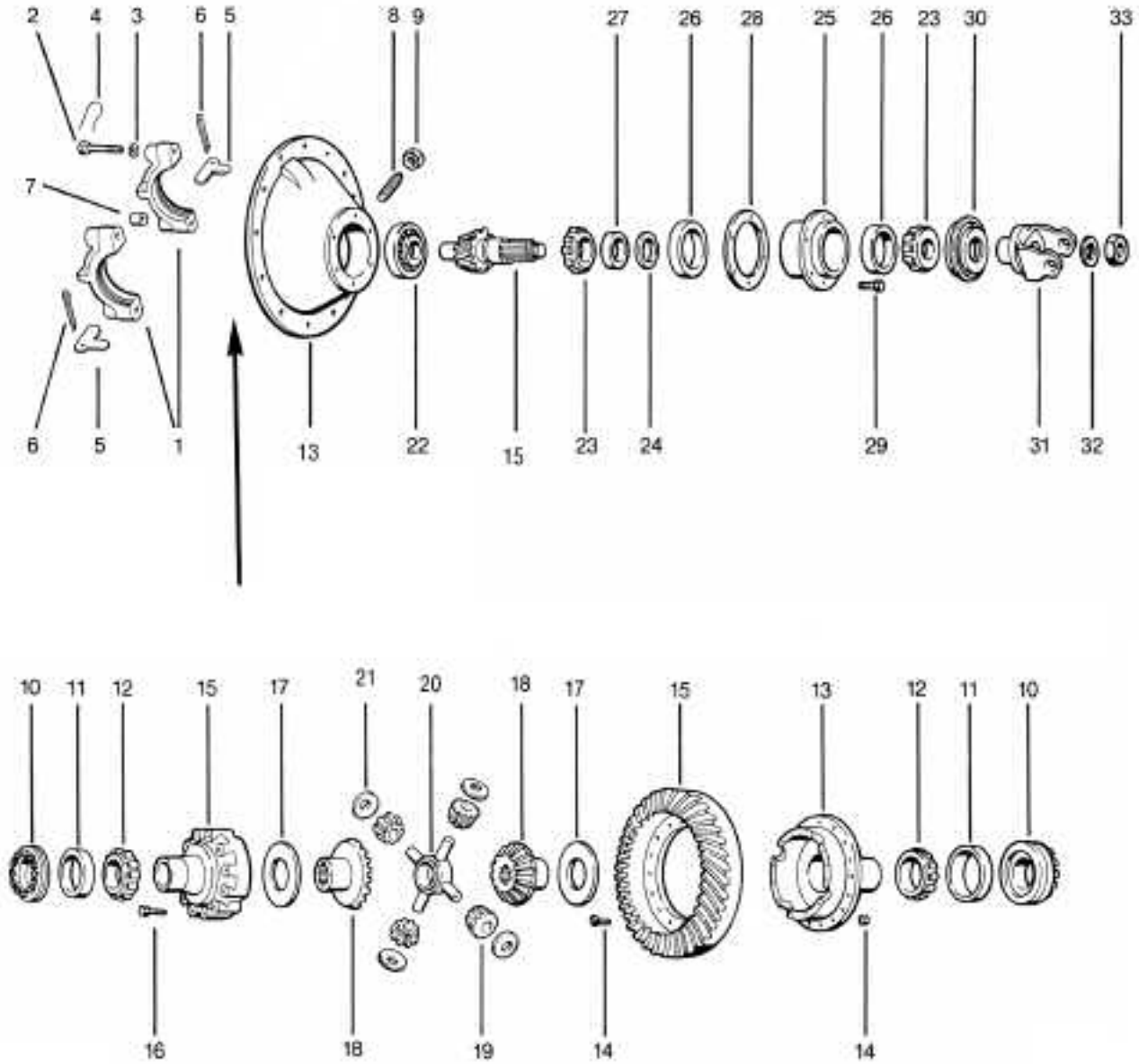
Make sure to obtain these valuable
resources as well:



PARTS LISTED IN THIS CATALOG ARE NOT NECESSARILY MANUFACTURED BY THE ORIGINAL EQUIPMENT MANUFACTURER AND ANY REFERENCE TO THE TRADEMARKS OR PART NUMBERS OF OTHERS ARE FOR CROSS REFERENCE INFORMATIONAL PURPOSES ONLY. THE TRADEMARKS OF OTHERS REFERRED TO HEREIN ARE OWNED BY THEIR RESPECTIVE COMPANIES AND ARE NOT AFFILIATED IN ANY WAY WITH MIDWEST TRUCK & AUTO PARTS, INC.® MOTIVE GEAR® AND WORLD AMERICAN® ARE THE REGISTERED TRADEMARKS OF MIDWEST TRUCK & AUTO PARTS, INC.® USE OF THE ® IN CONNECTION WITH A MARK OF MIDWEST TRUCK & AUTO PARTS, INC.® INDICATES THAT THE MARK IS REGISTERED IN AT LEAST THE UNITED STATES. NO REPRESENTATION IS MADE WITH RESPECT TO THE SOURCE OF MANUFACTURE OF ANY PARTICULAR PART. © 2005, MIDWEST TRUCK & AUTO PARTS, INC.® ALL RIGHTS RESERVED.

EATON®

MODELS: RS461, RS521, RS581



PARTS LISTED IN THIS CATALOG ARE NOT NECESSARILY MANUFACTURED BY THE ORIGINAL EQUIPMENT MANUFACTURER AND ANY REFERENCE TO THE TRADEMARKS OR PART NUMBERS OF OTHERS ARE FOR CROSS REFERENCE INFORMATIONAL PURPOSES ONLY. THE TRADEMARKS OF OTHERS REFERRED TO HEREIN ARE OWNED BY THEIR RESPECTIVE COMPANIES AND ARE NOT AFFILIATED IN ANY WAY WITH MIDWEST TRUCK & AUTO PARTS, INC.® MOTIVE GEAR® AND WORLD AMERICAN® ARE THE REGISTERED TRADEMARKS OF MIDWEST TRUCK & AUTO PARTS, INC.® USE OF THE ® IN CONNECTION WITH A MARK OF MIDWEST TRUCK & AUTO PARTS, INC.® INDICATES THAT THE MARK IS REGISTERED IN AT LEAST THE UNITED STATES. NO REPRESENTATION IS MADE WITH RESPECT TO THE SOURCE OF MANUFACTURE OF ANY PARTICULAR PART. © 2005, MIDWEST TRUCK & AUTO PARTS, INC.® ALL RIGHTS RESERVED.

EATON®

MODELS: RS461, RS521, RS581

ITEM NO.	PART NAME	QTY PER AXLE	RS461 RS521 RS581	REMARKS
	Bearing, Seal & Gasket Kit	1	RA18ER	
1	Diff. Carrier & Bearing Caps Carrier Casting No. 98493 (NSS)	1	122432	Includes Items 2-4, 7-9
2	Bearing Capscrew	4	32732	
3	Flat Washer	4	32912	
4	Lockwire	4	12563	
5	Bearing Cap Adjuster Lock	2	14275	
6	Cotter Pin	2	90876	
7	Dowel Bushing	2	32730	
8	Ring Gear Thrust Screw	1	126193	
9	Thrust Screw Jam Nut	1	210184	
10	Diff. Bearing Adjuster (RH)	1	21637	
	Diff. Bearing Adjuster (LH)	1	39448	
11	Diff. Bearing Cup (RH)	1	42384	
	Diff. Bearing Cup (LH)	1	42653	
12	Diff. Bearing Cone (RH)	1	42381	
	Diff. Bearing Cone (LH)	1	42652	
13	Diff. Case (Flanged Half) (NSS)	1	88501	Ratios 3.55-4.11
			126234	Ratios 4.33-6.17
	Diff. Case (RH) (NSS)	1	86777	
14	RING GEAR BOLT & NUT KIT	1	70745	Includes Item 14
	Bolt	16	67586	
	Nut	15	60600	
15	RING GEAR & DRIVE PINION SET	1	MATCHED PARTS: (SEE SEPARATE LISTING ON PAGE 53)	
	WHEEL DIFF. CASE KIT	1	98610	Ratios 3.55-4.11
	Includes Items 15-16	1	121845	Ratios 4.33-6.17
16	Diff. Case Capscrew	12	88503	
	WHEEL DIFF. SIDE GEAR & PINION KIT	1	114472	Includes Items 17-21
	WHEEL DIFF. KIT LESS SIDE GEARS	1	118749	Includes Items 17, 19-21
17	Side Gear Thrust Washer	2	27274	
18	Diff. Side Gear (36 Involute)	2	93401	
19	Side Pinion	4	86780	
20	Spider	1	86778	
21	Side Pinion Thrust Washer	4	86781	
22	Pinion Pilot Bearing	1	MUSB1308UM	
23	Pinion Bearing Cone (Inner)	1	78215C	
	Pinion Bearing Cone (Outer)	1	72212C	
24	Pinion Bearing Spacer	AR		CALL YOUR SALES REP
25	Pinion Bearing Cage & Cup Assy Includes Item 26	1	210592	Case (210591)
26	Pinion Bearing Cup (Inner)	1	78551	
	Pinion Bearing Cup (Outer)	1	72487	
27	Pinion Bearing Spacer Washer	1	31366	
28	Pinion Bearing Cage Shim	AR		
	.003"		67920	
	.005"		67921	
	.010"		67922	
	.020"		67923	
	.030"		67924	
29	Bearing Cage Capscrew	6	113327	
	OIL SEAL & SHIM KIT	1	122436	Includes Items 28, 30 & RTV
30	Oil Seal & Retainer	1	712937	
31	Input Yoke (Call your Sales Rep)	1		
32	Flat Washer	1	210509	
33	Pinion Nut	1	210508	
	Gasket Compound	AR	107276	

NSS = Not Sold Separately

PARTS LISTED IN THIS CATALOG ARE NOT NECESSARILY MANUFACTURED BY THE ORIGINAL EQUIPMENT MANUFACTURER AND ANY REFERENCE TO THE TRADEMARKS OR PART NUMBERS OF OTHERS ARE FOR CROSS REFERENCE INFORMATIONAL PURPOSES ONLY. THE TRADEMARKS OF OTHERS REFERRED TO HEREIN ARE OWNED BY THEIR RESPECTIVE COMPANIES AND ARE NOT AFFILIATED IN ANY WAY WITH MIDWEST TRUCK & AUTO PARTS, INC.® MOTIVE GEAR® AND WORLD AMERICAN® ARE THE REGISTERED TRADEMARKS OF MIDWEST TRUCK & AUTO PARTS, INC.® USE OF THE ® IN CONNECTION WITH A MARK OF MIDWEST TRUCK & AUTO PARTS, INC.® INDICATES THAT THE MARK IS REGISTERED IN AT LEAST THE UNITED STATES. NO REPRESENTATION IS MADE WITH RESPECT TO THE SOURCE OF MANUFACTURE OF ANY PARTICULAR PART. © 2005, MIDWEST TRUCK & AUTO PARTS, INC.® ALL RIGHTS RESERVED.

EATON®

MODELS: RS461, RS521, RS581

RING GEAR & PINION SETS

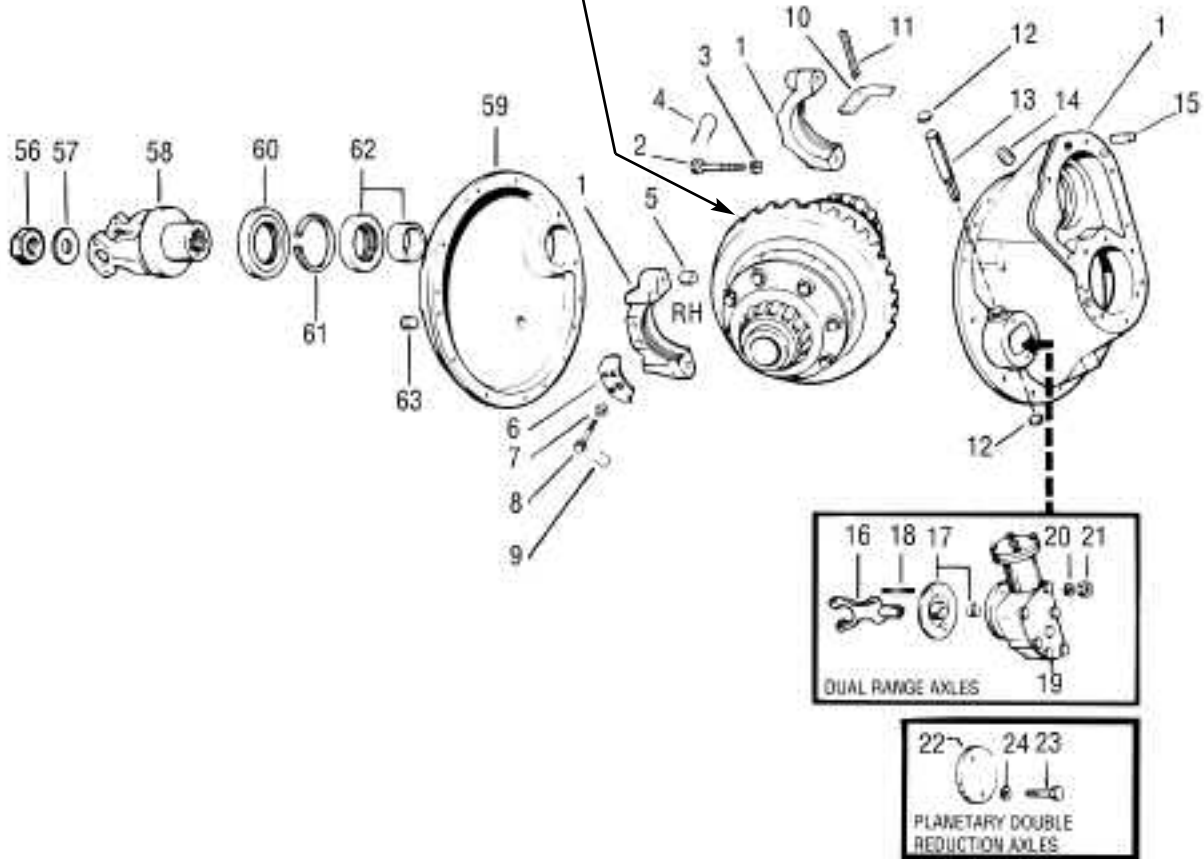
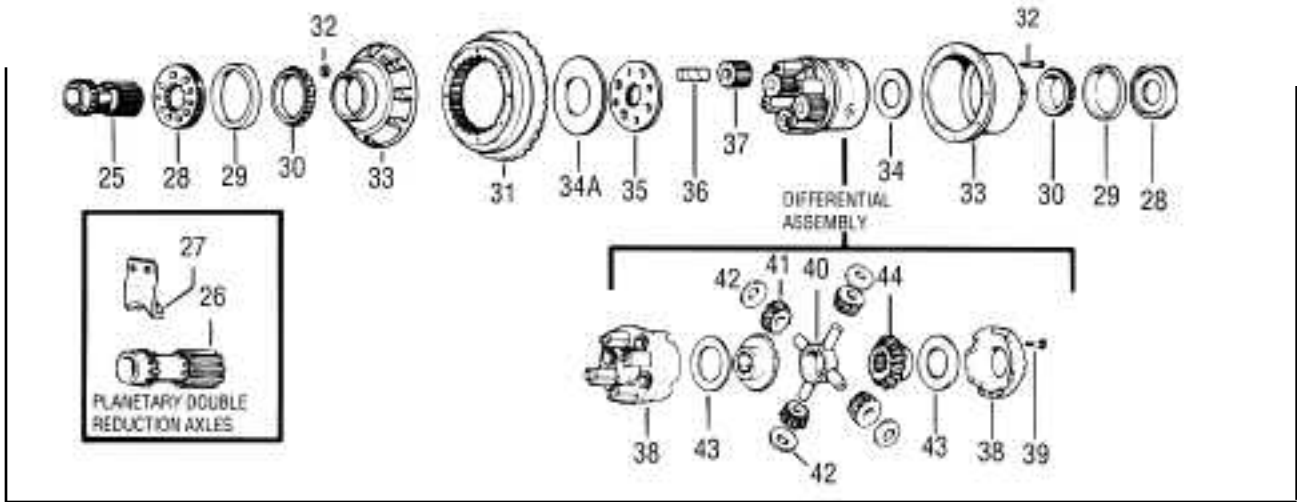
REAR AXLE
MODEL: RS461, RS521, RS581

<u>RATIO</u>	<u>PART#</u>	<u>TEETH COUNT</u>
3.55	122668	(39-11)
3.70	121887	(37-10)
3.90	123334	(39-10)
4.11	121888	(37-9)
4.33	121889	(39-9)
4.56	121890	(41-9)
4.88	121891	(39-8)
5.29	211335	(37-7)
5.43	121892	(38-7)
6.17	121893	(37-6)
6.50	212891	(39-6)

PARTS LISTED IN THIS CATALOG ARE NOT NECESSARILY MANUFACTURED BY THE ORIGINAL EQUIPMENT MANUFACTURER AND ANY REFERENCE TO THE TRADEMARKS OR PART NUMBERS OF OTHERS ARE FOR CROSS REFERENCE INFORMATIONAL PURPOSES ONLY. THE TRADEMARKS OF OTHERS REFERRED TO HEREIN ARE OWNED BY THEIR RESPECTIVE COMPANIES AND ARE NOT AFFILIATED IN ANY WAY WITH MIDWEST TRUCK & AUTO PARTS, INC.® MOTIVE GEAR® AND WORLD AMERICAN® ARE THE REGISTERED TRADEMARKS OF MIDWEST TRUCK & AUTO PARTS, INC.® USE OF THE ® IN CONNECTION WITH A MARK OF MIDWEST TRUCK & AUTO PARTS, INC.® INDICATES THAT THE MARK IS REGISTERED IN AT LEAST THE UNITED STATES. NO REPRESENTATION IS MADE WITH RESPECT TO THE SOURCE OF MANUFACTURE OF ANY PARTICULAR PART. © 2005, MIDWEST TRUCK & AUTO PARTS, Inc.™ ALL RIGHTS RESERVED.

EATON®

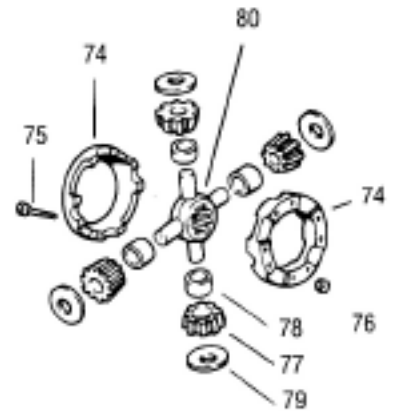
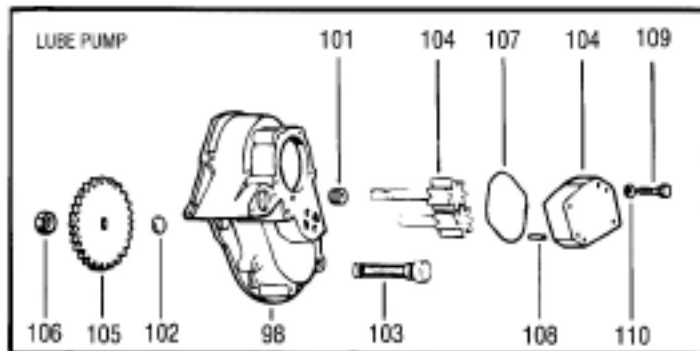
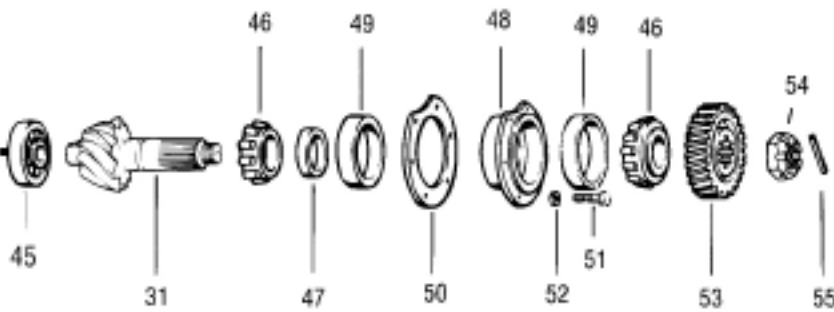
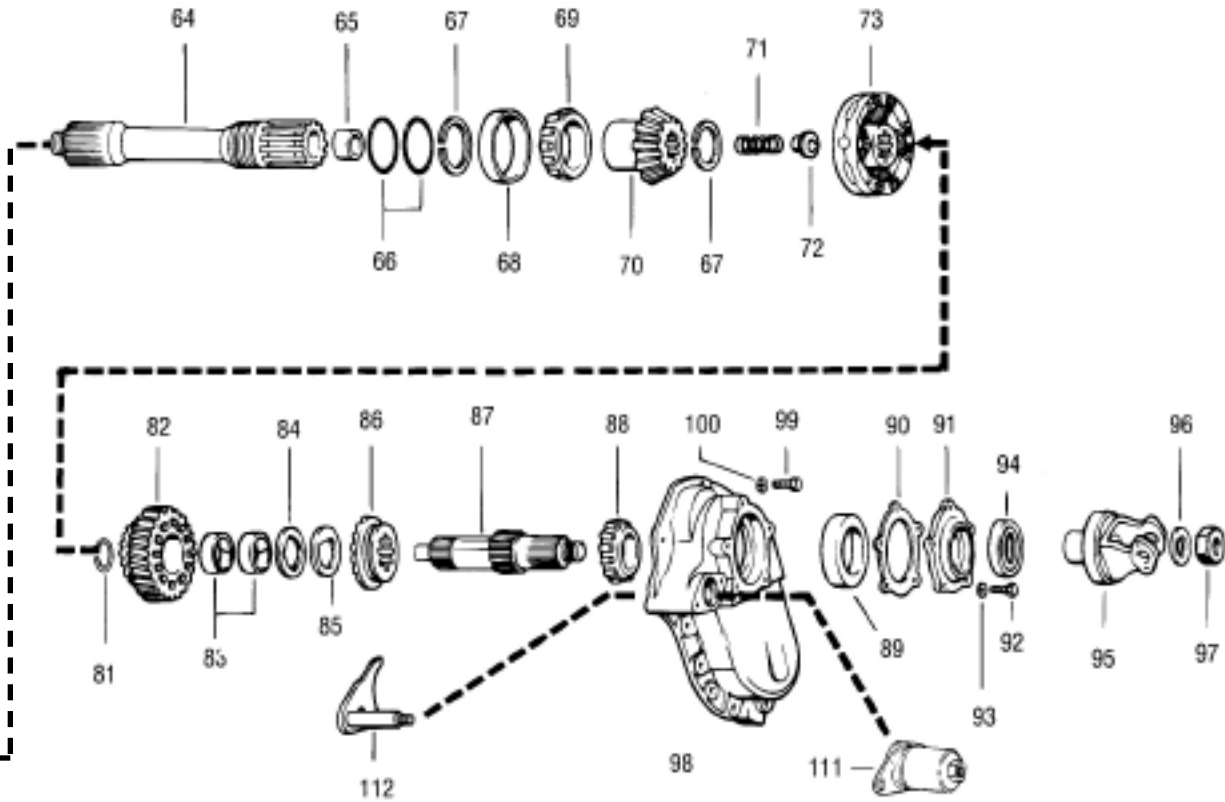
MODELS: DT/DP340, DT/DP341, DT/DP380(P), DT/DP381(P), DT/DP400-P, DT/DP401-P, DT/DP402(P), DT/DP451-P, 34DT/DP, 38DT/DP



PARTS LISTED IN THIS CATALOG ARE NOT NECESSARILY MANUFACTURED BY THE ORIGINAL EQUIPMENT MANUFACTURER AND ANY REFERENCE TO THE TRADEMARKS OR PART NUMBERS OF OTHERS ARE FOR CROSS REFERENCE INFORMATIONAL PURPOSES ONLY. THE TRADEMARKS OF OTHERS REFERRED TO HEREIN ARE OWNED BY THEIR RESPECTIVE COMPANIES AND ARE NOT AFFILIATED IN ANY WAY WITH MIDWEST TRUCK & AUTO PARTS, INC.® MOTIVE GEAR® AND WORLD AMERICAN® ARE THE REGISTERED TRADEMARKS OF MIDWEST TRUCK & AUTO PARTS, INC.® USE OF THE ® IN CONNECTION WITH A MARK OF MIDWEST TRUCK & AUTO PARTS, INC.® INDICATES THAT THE MARK IS REGISTERED IN AT LEAST THE UNITED STATES. NO REPRESENTATION IS MADE WITH RESPECT TO THE SOURCE OF MANUFACTURE OF ANY PARTICULAR PART. © 2005, MIDWEST TRUCK & AUTO PARTS, INC.® ALL RIGHTS RESERVED.

EATON®

MODELS: DT/DP340, DT/DP341, DT/DP380(P), DT/DP381(P), DT/DP400-P, DT/DP401-P, DT/DP402(P), DT/DP451-P, 34DT/DP, 38DT/DP (Cont'd)



PARTS LISTED IN THIS CATALOG ARE NOT NECESSARILY MANUFACTURED BY THE ORIGINAL EQUIPMENT MANUFACTURER AND ANY REFERENCE TO THE TRADEMARKS OR PART NUMBERS OF OTHERS ARE FOR CROSS REFERENCE INFORMATIONAL PURPOSES ONLY. THE TRADEMARKS OF OTHERS REFERRED TO HEREIN ARE OWNED BY THEIR RESPECTIVE COMPANIES AND ARE NOT AFFILIATED IN ANY WAY WITH MIDWEST TRUCK & AUTO PARTS, INC.® MOTIVE GEAR® AND WORLD AMERICAN® ARE THE REGISTERED TRADEMARKS OF MIDWEST TRUCK & AUTO PARTS, INC.® USE OF THE ® IN CONNECTION WITH A MARK OF MIDWEST TRUCK & AUTO PARTS, INC.® INDICATES THAT THE MARK IS REGISTERED IN AT LEAST THE UNITED STATES. NO REPRESENTATION IS MADE WITH RESPECT TO THE SOURCE OF MANUFACTURE OF ANY PARTICULAR PART. © 2005, MIDWEST TRUCK & AUTO PARTS, INC.® ALL RIGHTS RESERVED.

EATON®

**MODELS: DT/DP340, DT/DP341, DT/DP380(P), DT/DP381(P), DT/DP400-P, DT/DP401-P,
DT/DP402(P), DT/DP451-P, 34DT/DP, 38DT/DP**

ITEM NO.	PART NAME	QTY	DT/DP341 DT/DP381(P) DT/DP402(P) DT/DP401-P DT/DP451-P			REMARKS
			DT/DP340 DT/DP380(P) DT/DP400-P	34DT/DP 38DT/DP		
	Bearing, Seal & Gasket Kit	1	RA207R	RA193R	RA64FER	
1	Diff. Carrier & Bearing Cap Kit Carrier Casting No. (NSS)	1	115825 110816	120926 110816	120925 110816	
2	Bearing Capscrew	4	32732	32732	32732	
3	Flat Washer	4	32912	32912	32912	
4	Lockwire	4	90538	90538	90538	
5	Dowel Bushing	2	32730	32730	32730	
6	Bearing Adjuster Lock (RH)	1	37745	37745	37745	
7	Adjuster Lock Dowel Bushing (RH)	2	37746	37746	37746	
8	Capscrew (RH)	2	37747	37747	37747	
9	Lockwire	2	12563	12563	12563	
10	Bearing Adjuster Lock (LH)	1	13377	13377	13377	
11	Cotter Pin (LH)	1	90873	90873	90873	
12	Expansion Plug (Upper) Expansion Plug (Lower)	1 1	30703 9797	30703 9797	30703 9797	
13	Shift Fork Shaft & "O" Ring Assy	1	113801	113801	113801	
14	Filler Plug	1	90325	90325	90325	
15	Carrier Cover Dowel Pin	2	7641	7641	7641	
16	Shift Fork & Roller Assy	1	32613	32613	32613	
17	Shift Fork Seal & Spring Assy	1	119855	119855	119855	DT ONLY
18	Shift Unit Mounting Stud	2	119863	119863	119863	DT ONLY
19	Shift Unit Assy	1	73503	7303	73503	DT ONLY
20	Lockwasher	1	119857	119857	119857	DT ONLY
21	Stud Nut	2	63028	63028	63028	DT ONLY
22	Shift Unit Opening Cover	1	45521	45521	45521	DP ONLY
23	Capscrew	2	20807	20807	20807	DP ONLY
24	Lockwasher	2	90415	90415	90415	DP ONLY
25	Sliding Clutch Gear	1	113596	113596	113596	DT ONLY 60808 SLIDING CLUTCH KIT
26	Sun Gear	1	113598	113598	113598	DP ONLY
27	Sun Gear Retainer	1	43178	43178	43178	DP ONLY
28	Diff. Bearing Adjuster (RH) Diff. Bearing Adjuster (LH)	1 1	56932 110243	56932 27842	56932 27842	60608 SLIDING CLUTCH KIT
29	Diff. Bearing Cup (RH) Diff. Bearing Cup (LH)	1 1	56650 493	56650 493	56650 493	
30	Diff. Bearing Cone (RH) Diff. Bearing Cone (LH)	1 2	56425 497	56425 497	56425 497	
31	RING GEAR & DRIVE PINION SET Includes Item 54-55		MATCHED PARTS: (SEE SEPARATE LISTING ON PAGE 61)			
32	RING GEAR BOLT & NUT KIT	1	87955	87955	87966	
	Bolt	8	44358	44358	44358	
	Nut	8	60599	60599	60599	
33	Gear Support Case (RH) Gear Support Case (LH)	1 1	27838 110148	27838 116568	27838 116568	116568 replaces 27839 & 27842
34	Gear Support Thrust Washer	1	43270	43270	43270	
34A	Gear Support Thrust Washer	1	27827	27827	27827	
35	High-Speed Clutch Plate	1	56931	56931	56931	60608 SLIDING CLUTCH KIT
36	Idler Pinion Pin	4	27861	27861	27861	
37	Idler Pinion	4	27835	27835	27835	
	WHEEL DIFF. CASE KIT Includes Items 38-39	1	101878	101878	101878	
38	Diff. Case w/Clutch Plate Pin (Casting 96278)	1	98182	98182	98182	Flange Half
	Diff. Case (RH) (NSS)	1	96279	96279	96279	Plain Half
39	Diff. Case Capscrew	8	96283	96283	96283	

NSS = Not Sold Separately

PARTS LISTED IN THIS CATALOG ARE NOT NECESSARILY MANUFACTURED BY THE ORIGINAL EQUIPMENT MANUFACTURER AND ANY REFERENCE TO THE TRADEMARKS OR PART NUMBERS OF OTHERS ARE FOR CROSS REFERENCE INFORMATIONAL PURPOSES ONLY. THE TRADEMARKS OF OTHERS REFERRED TO HEREIN ARE OWNED BY THEIR RESPECTIVE COMPANIES AND ARE NOT AFFILIATED IN ANY WAY WITH MIDWEST TRUCK & AUTO PARTS, INC.® MOTIVE GEAR® AND WORLD AMERICAN® ARE THE REGISTERED TRADEMARKS OF MIDWEST TRUCK & AUTO PARTS, INC.® USE OF THE ® IN CONNECTION WITH A MARK OF MIDWEST TRUCK & AUTO PARTS, INC.® INDICATES THAT THE MARK IS REGISTERED IN AT LEAST THE UNITED STATES. NO REPRESENTATION IS MADE WITH RESPECT TO THE SOURCE OF MANUFACTURE OF ANY PARTICULAR PART. © 2005, MIDWEST TRUCK & AUTO PARTS, INC.® ALL RIGHTS RESERVED.

EATON®

**MODELS: DT/DP340, DT/DP341, DT/DP380(P), DT/DP381(P), DT/DP400-P, DT/DP401-P,
DT/DP402(P), DT/DP451-P, 34DT/DP, 38DT/DP (Cont'd)**

ITEM NO.	PART NAME	QTY	DT/DP341 DT/DP381(P) DT/DP402(P) DT/DP401-P DT/DP451-P	DT/DP340 DT/DP380(P) DT/DP400-P	34DT/DP 38DT/DP	REMARKS	
	WHEEL DIFF. SIDE GEAR & PINION KIT	1					
	Includes Items 40-44						
	Models: 34, 340, 341		114469	98850	98850		
	38, 380, 381, 402		114470	85358	85358		
	400, 401, 451		98853	98853			
	WHEEL DIFF. KIT LESS SIDE GEARS	1	118748	118748	118748		
	Includes Items 40-43						
40	Spider	1	38289	38289	38289		
41	Side Pinion	4	104139	104139	104139	104139 replaces 37071	
42	Side Pinion Thrust Washer	4	27810	27810	27810		
43	Side Gear Thrust Washer	2	27827	27827	27827		
44	Diff. Side Gear	2					
	Models: 34, 340, 341		110525	37072	37072		
	38, 380, 381, 402		110527	37069	37069		
	400, 401, 451		85486	85486			
45	Pinion Pilot Bearing	1	MUS1307UM	MUS1307UM	MUS1307UM		
46	Pinion Bearing Cone (Inner)	1	72218C	72218C	72200C		
	Pinion Bearing Cone (Outer)	1	HM807049	72200C	72200C		
47	Pinion Bearing Spacer	AR					
48	Pinion Bearing Cage & Cup Assy	1					
	Includes Item 49						
	Ratio 3.55-3.70	1	110731	107322	-----	110731 Cast = 110730	
	Other Ratios	1	110733	107324	-----	110733 Cast = 110732	
	34/38DTB, C, 34/38DPB, C	1	-----	-----	107322	107322 Cast = 107321	
	34/38DTD, E, 34/38DPD, E	1	-----	-----	107324	107324 Cast = 107323	
49	Pinion Bearing Cup (Inner)	1	72487	72487	72487		
	Pinion Bearing Cup (Outer)	1	HM807010	72487	72487		
50	Pinion Bearing Cage Shim	AR					
	.003"		45461	45461	45461		
	.005"		62829	62829	62929		
	.010"		45462	45462	45462		
	.020"		62830	62830	62830		
	.030"		45463	45463	45463		
51	Bearing Cage Capscrew	6	62158	62158	62158		
52	Lockwasher	6	37207	37207	37207		
53	Pinion Helical Gear	1	110845	74991	-----		
	34/38DTB, C & DPB, C		-----	-----	46977		
	34/38DTD, E & DPD, E		-----	-----	74991		
54	Slotted Nut	1	118806	118854	118854		
	Pinion Nut		NOTE 2	NOTE 8	9520		
55	Roll Pin	1	118807	118855	118855		
56	Output Shaft Nut	1	95205	95205	95205		
57	Flat Washer	1	4327	4327	4327		
58	Output Yoke		CALL YOUR SALES REP				
59	Axle Housing Cover Assy	1					
	Includes Items 60-63						
	(Cover 127781) (NSS)		107320	-----	-----		
	3/4" (Cover 127874) (NSS)		-----	75336	75336		
	1" (Cover 77749) (NSS)		-----	-----	77750		
	Rear Bearing Retaining Washer (Not Illustrated)	1	-----	46583	46583		
60	Output Shaft Oil Seal	1	475003N	475003N	475003N		
61	Bearing Snap Ring	1	45516	45516	45516		
62	Output Shaft Bearing & Sleeve Assy		46584	46584	MA1209EL		
62	Output Shaft Bearing & Sleeve Assy		46584	46584	46584		
	Inner Bearing Race	1	72487	72487	72487		
	Outer Bearing Race	1	HM807010	HM807010	HM807010		

NSS = Not Sold Separately

PARTS LISTED IN THIS CATALOG ARE NOT NECESSARILY MANUFACTURED BY THE ORIGINAL EQUIPMENT MANUFACTURER AND ANY REFERENCE TO THE TRADEMARKS OR PART NUMBERS OF OTHERS ARE FOR CROSS REFERENCE INFORMATIONAL PURPOSES ONLY. THE TRADEMARKS OF OTHERS REFERRED TO HEREIN ARE OWNED BY THEIR RESPECTIVE COMPANIES AND ARE NOT AFFILIATED IN ANY WAY WITH MIDWEST TRUCK & AUTO PARTS, INC.® MOTIVE GEAR® AND WORLD AMERICAN® ARE THE REGISTERED TRADEMARKS OF MIDWEST TRUCK & AUTO PARTS, INC.® USE OF THE ® IN CONNECTION WITH A MARK OF MIDWEST TRUCK & AUTO PARTS, INC.® INDICATES THAT THE MARK IS REGISTERED IN AT LEAST THE UNITED STATES. NO REPRESENTATION IS MADE WITH RESPECT TO THE SOURCE OF MANUFACTURE OF ANY PARTICULAR PART. © 2005, MIDWEST TRUCK & AUTO PARTS, INC.® ALL RIGHTS RESERVED.

EATON®

**MODELS: DT/DP340, DT/DP341, DT/DP380(P), DT/DP381(P), DT/DP400-P, DT/DP401-P,
DT/DP402(P), DT/DP451-P, 34DT/DP, 38DT/DP (Cont'd)**

ITEM NO.	PART NAME	QTY	DT/DP341 DT/DP381(P) DT/DP402(P) DT/DP401-P DT/DP451-P	DT/DP340 DT/DP380(P) DT/DP400-P	34DT/DP 38DT/DP	REMARKS
63	Magnetic Filler Plug	1	----- 75130	54254 75130	54254 75130	3/4"
		1	77944	77944	77944	7/8"
	Hole Plug	1	90898	90898	90898	1"
64	OUTPUT SHAFT, NUT & BUSHING KIT	1	115123	98603	98603	
	(Shaft - NSS) 34 Splines, 1.750" dia.	1	128736			128736 replaces old #110818
	(Shaft - NSS) 10 Splines, 1.750" dia.	1		85441	85441	
65	Output Shaft Bushing	1	48922	48922	48922	
66	Output Shaft "O" Ring	2	46526	46526	46526	
67	Side Gear Snap Ring	2	85994	85994	85994	
					NOTE 4	
68	Output Shaft Bearing Cup (Inner)	1	29620	34492A	34492A	
69	Output Shaft Bearing Cone (Inner)	1	29675	34274	34274	
70	Output Shaft Side Gear	1	110810			
71	Output Shaft Spring	1	51238	-----	-----	
72	Output Shaft Spring Thrust Bearing	1	51228	-----	-----	
73	Inter-axle Diff. Assy	1	213608	213608	95213	
	Includes Items 74-80					
74	DIFF. CASE KIT	1	ORDER 213608			
	Case Half (NSS)					
75	Bolt	8	85438	85438	85438	
76	Nut	8	57637	57637	57637	
	DIFF. SIDE PINION & SPIDER KIT	1	-----	96381	96380	
	Includes Items 77-80					
77	Side Pinion	4	95214	95214	95210	
78	Side Pinion Bushing	4	95215	95215	95211	
79	Side Pinion Thrust Washer	4	127785	85437	25968	
80	Spider	1	127783	95216	95212	
81	Helical Side Gear Snap Ring	1	85997	85997	46983	
82	Helical Side Gear & Bushing Assy	1	128042	85432	45476	
	Includes Item 83			NOTE 5		
	Side Gear (NSS)		128018	85431	45474	
83	Helical Side Gear Bushing	2	85991	85991	48921	
84	Helical Side Gear Thrust Washer	1	85429	85429	45477	
85	Helical Side Gear "D" Washer	1	45478	45478	45478	
86	Lockout Sliding Clutch	1	128016	128016	45480	
87	INPUT SHAFT, WASHER & NUT KIT				NOTE 6	
	Includes Items 85 & 97					
	Models w/o Lube Pump	1	115122	103289	98693	
	(Shaft - NSS) 44 Splines, 2.250" dia.	1	128740			128740 replaces old #110823
	(Shaft - NSS) 16 Splines, 2.125" dia.	1		103283		
	(Shaft - NSS) 10 Splines, 1.969" dia.	1			88285	
	Models w/Lube Pump	1	115126	106709	-----	
	(Shaft - NSS) 44 Splines, 2.250" dia.	1	128739			128739 replaces old #110805
	(Shaft - NSS) 16 Splines, 2.125" dia.	1		102608	-----	
88	Input Shaft Bearing Cone	1	3979	JH307749	JM207049	
89	Input Shaft Bearing Cup	1	JM511910	JH307710	JM207010	
90	Input Bearing Cover Shim	AR				
	.003"		45498	45498	45498	
	.005"		70709	70709	70709	
	.010"		45499	45499	45499	
	.020"		85406	85406	85406	
91	Input Bearing Cover, Cup & Oil Assy	1				
	Includes Items 89 & 94					
	Models w/Lube Pump		211888	102629	-----	
	(Cover - NSS)		110806	102614		
	Models w/o Lube Pump		211634	85423	86813	
	(Cover - NSS)		110824	85421	86811	
92	Bearing Cover Capscrew	5	113324	113324	113324	
93	Lockwasher	5	90414	-----	-----	

NSS = Not Sold Separately

PARTS LISTED IN THIS CATALOG ARE NOT NECESSARILY MANUFACTURED BY THE ORIGINAL EQUIPMENT MANUFACTURER AND ANY REFERENCE TO THE TRADEMARKS OR PART NUMBERS OF OTHERS ARE FOR CROSS REFERENCE INFORMATIONAL PURPOSES ONLY. THE TRADEMARKS OF OTHERS REFERRED TO HEREIN ARE OWNED BY THEIR RESPECTIVE COMPANIES AND ARE NOT AFFILIATED IN ANY WAY WITH MIDWEST TRUCK & AUTO PARTS, INC.® MOTIVE GEAR® AND WORLD AMERICAN® ARE THE REGISTERED TRADEMARKS OF MIDWEST TRUCK & AUTO PARTS, INC.® USE OF THE ® IN CONNECTION WITH A MARK OF MIDWEST TRUCK & AUTO PARTS, INC.® INDICATES THAT THE MARK IS REGISTERED IN AT LEAST THE UNITED STATES. NO REPRESENTATION IS MADE WITH RESPECT TO THE SOURCE OF MANUFACTURE OF ANY PARTICULAR PART. © 2005, MIDWEST TRUCK & AUTO PARTS, INC.® ALL RIGHTS RESERVED.

EATON®

**MODELS: DT/DP340, DT/DP341, DT/DP380(P), DT/DP381(P), DT/DP400-P, DT/DP401-P,
DT/DP402(P), DT/DP451-P, 34DT/DP, 38DT/DP (Cont'd)**

ITEM NO.	PART NAME	QTY	DT/DP341 DT/DP381(P) DT/DP402(P) DT/DP401-P DT/DP451-P	DT/DP340 DT/DP380(P) DT/DP400-P	34DT/DP 38DT/DP	REMARKS
	OIL SEAL & SHIM KIT Includes Items 17, 50, 60, 90, 94 & RTV	1	114395			
	Input Shaft Spacer Washer (Not Illustrated)	1	-----	85427	-----	
94	Input Shaft Oil Seal	1	475012N	475012N	475003N	
95	Input Yoke		CALL YOUR SALES REP			
96	Flat Washer	1	85404	85404	56864	
97	Input Shaft Nut	1	95207	95207	95206	
98	Diff. Carrier Cover Assy Models w/o Lube Pump	1	45481	45481	45481	
	Models w/Lube Pump	1	102627	102627	-----	
	Includes Items 101-102 Cover (NSS)		102606	102606	-----	
99	Carrier Cover Capscrew					
	Long	4	12063	12063	12063	
	Short	5	90069	90069	90069	
100	Lockwasher	9	90417	90417	90417	
101	Pipe Plug	1	90325	90325	-----	
102	Expansion Plug	1	9797	9797	-----	
103	Magnetic Filter Screen Models w/Lube Pump	1	102611	102611	-----	
104	LUBE PUMP REPLACEMENT KIT Models w/Lube Pump Includes Items 105-110	1	106368	106368	-----	
105	Pump Drive Gear	1	111448	102609-NOTE 7	-----	
106	Drive Gear Locknut	1	111451	63028	-----	
	Drive Gear Woodruff® Key (Not Illustrated)	1	-----	81471	-----	
107	Cover "O" Ring	1	102620	102620	-----	
108	Cover Dowel Pin	2	102617	102617	-----	
109	Cover Capscrew	4	102618	102618	-----	
110	Lockwasher	4	90419	90419	-----	
111	Air-Operated Lockout Assy Lockout Assembly					
112	Shift Fork & Push Rod Assy					
	Models w/Lube Pump	1	102613	102613	-----	
	Models w/o Lube Pump	1	45859	45859	45859	
	Gasket Compound	AR	107276	107276	107276	

NSS = Not Sold Separately

PARTS LISTED IN THIS CATALOG ARE NOT NECESSARILY MANUFACTURED BY THE ORIGINAL EQUIPMENT MANUFACTURER AND ANY REFERENCE TO THE TRADEMARKS OR PART NUMBERS OF OTHERS ARE FOR CROSS REFERENCE INFORMATIONAL PURPOSES ONLY. THE TRADEMARKS OF OTHERS REFERRED TO HEREIN ARE OWNED BY THEIR RESPECTIVE COMPANIES AND ARE NOT AFFILIATED IN ANY WAY WITH MIDWEST TRUCK & AUTO PARTS, INC.® MOTIVE GEAR® AND WORLD AMERICAN® ARE THE REGISTERED TRADEMARKS OF MIDWEST TRUCK & AUTO PARTS, INC.® USE OF THE ® IN CONNECTION WITH A MARK OF MIDWEST TRUCK & AUTO PARTS, INC.® INDICATES THAT THE MARK IS REGISTERED IN AT LEAST THE UNITED STATES. NO REPRESENTATION IS MADE WITH RESPECT TO THE SOURCE OF MANUFACTURE OF ANY PARTICULAR PART. © 2005, MIDWEST TRUCK & AUTO PARTS, INC.® ALL RIGHTS RESERVED.

EATON®

MODELS: DT/DP340, DT/DP341, DT/DP380(P), DT/DP381(P), DT/DP400-P, DT/DP401-P, DT/DP402(P), DT/DP451-P, 34DT/DP, 38DT/DP

- NSS** - NOT SOLD SEPARATELY
- NOTE 1** - 120926 is interchangeable with 115825 by also using 110810 Output Shaft Side Gear. This conversion can be applied to 34/38D if power divider is also converted to D340/400 or D341/381/401.
- NOTE 2** - Axles built prior to May 1, 1982 use 95207 self-locking nut. Later models use 118806 slotted nut plus 118807 roll pin.
- NOTE 3** - Output Shaft Kit 115123 now contains shaft p/n 128736 which doesn't use an output shaft bushing. Refer to Technical Information Bulletin #93-06.
- NOTE 4** - For earlier style Output Shafts 46647 and 98603, use 44178 Snap Ring.
- NOTE 5** - Order Helical Gear Conversion Kit 113561.
- NOTE 6** - Early model axles use a ball bearing on input shaft. To convert ball bearing to taper bearing, use Kit 86987 which contains items 88, 90 & 91.
- NOTE 7** - 102609 remains available for early pump models built with Woodruff keys.
- NOTE 8** - Production Axles used 95206 self-locking nut; service gear sets now use 118854 slotted nut plus 118855 roll pin.
- NOTE 9** - Refer to Technical Information Bulletin #93-04 for more details.

RING GEAR & PINION SETS - FORWARD AXLES

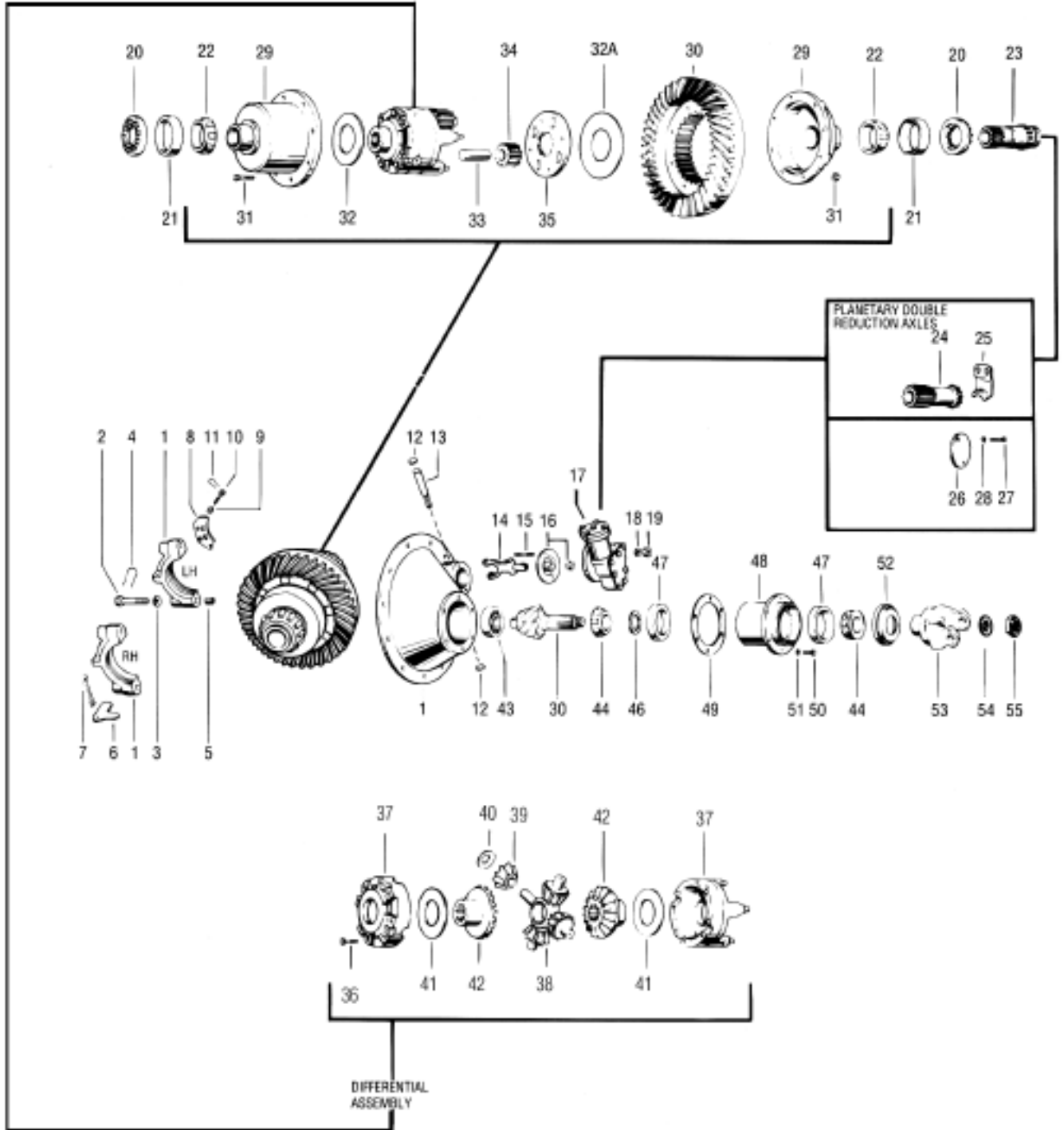
MODEL 34/38DTB/DPB-C & DTD/DPD-E			MODEL DT/DP341/381/401/402/451			MODEL DT/DP341, 381, 401		
GEAR RATIO	GEAR SET	TEETH COUNT	GEAR RATIO	GEAR SET	TEETH COUNT	GEAR RATIO	GEAR SET	TEETH COUNT
3.70/5.05*	95547	(37-10)	3.55/4.83	218998	(39-11)	3.55/4.83*	111186	(39-11)
4.11/5.61*	95548	(37-9)	3.70/5.05	218999	(37-10)	3.70/5.05*	111187	(37-10)
4.33/5.91*	95549	(39-9)	3.90/5.32	219000	(39-10)	4.11/5.61	111188	(37-9)
4.56/6.21*	95550	(41-9)	4.11/5.61	219001	(37-9)	4.33/5.91	111189	(39-9)
4.88/6.65*	95551	(39-8)	4.33/5.91	219002	(39-9)	4.56/6.21	111190	(41-9)
5.29/7.21*	95552	(37-7)	4.56/6.21	219003	(41-9)	4.88/6.65	111191	(39-8)
5.57/7.60*	95553	(39-7)	4.88/6.65	219004	(39-8)	5.29/7.21	111192	(37-7)
6.14/8.38	95554	(43-7)	5.29/7.21	219005	(37-7)	5.57/7.60	111193	(39-7)
6.50/8.86	95555	(39-6)	5.57/7.60	219006	(39-7)	6.14/8.38	111194	(43-7)
7.17/9.77	95556	(43-6)	6.14/8.38	219007	(43-7)	6.50/8.86	111195	(39-6)
			6.50/8.86	218511	(39-6)	7.17/9.77	111196	(43-6)
			7.17/9.77	219008	(43-6)			
1/2" BOLT HOLES IN RING GEAR								
6.14/8.38	99662	(43-7)						
6.50/8.86	99663	(39-6)						
7.17/9.77	99664	(43-6)						

* 16" GEARING - ALL OTHERS 16-1/2" GEARING

PARTS LISTED IN THIS CATALOG ARE NOT NECESSARILY MANUFACTURED BY THE ORIGINAL EQUIPMENT MANUFACTURER AND ANY REFERENCE TO THE TRADEMARKS OR PART NUMBERS OF OTHERS ARE FOR CROSS REFERENCE INFORMATIONAL PURPOSES ONLY. THE TRADEMARKS OF OTHERS REFERRED TO HEREIN ARE OWNED BY THEIR RESPECTIVE COMPANIES AND ARE NOT AFFILIATED IN ANY WAY WITH MIDWEST TRUCK & AUTO PARTS, INC.® MOTIVE GEAR® AND WORLD AMERICAN® ARE THE REGISTERED TRADEMARKS OF MIDWEST TRUCK & AUTO PARTS, INC.® USE OF THE ® IN CONNECTION WITH A MARK OF MIDWEST TRUCK & AUTO PARTS, INC.® INDICATES THAT THE MARK IS REGISTERED IN AT LEAST THE UNITED STATES. NO REPRESENTATION IS MADE WITH RESPECT TO THE SOURCE OF MANUFACTURE OF ANY PARTICULAR PART. © 2005, MIDWEST TRUCK & AUTO PARTS, INC.® ALL RIGHTS RESERVED.

EATON®

MODELS: RT/RP340, RT/RP341, RT/RP 380, RT/RP381, RT/RP 400, RT/RP401, RT/RP402, RT/RP451, 34RT/RP, 38RT/RP



PARTS LISTED IN THIS CATALOG ARE NOT NECESSARILY MANUFACTURED BY THE ORIGINAL EQUIPMENT MANUFACTURER AND ANY REFERENCE TO THE TRADEMARKS OR PART NUMBERS OF OTHERS ARE FOR CROSS REFERENCE INFORMATIONAL PURPOSES ONLY. THE TRADEMARKS OF OTHERS REFERRED TO HEREIN ARE OWNED BY THEIR RESPECTIVE COMPANIES AND ARE NOT AFFILIATED IN ANY WAY WITH MIDWEST TRUCK & AUTO PARTS, INC.® MOTIVE GEAR® AND WORLD AMERICAN® ARE THE REGISTERED TRADEMARKS OF MIDWEST TRUCK & AUTO PARTS, INC.® USE OF THE ® IN CONNECTION WITH A MARK OF MIDWEST TRUCK & AUTO PARTS, INC.® INDICATES THAT THE MARK IS REGISTERED IN AT LEAST THE UNITED STATES. NO REPRESENTATION IS MADE WITH RESPECT TO THE SOURCE OF MANUFACTURE OF ANY PARTICULAR PART. © 2005, MIDWEST TRUCK & AUTO PARTS, INC.® ALL RIGHTS RESERVED.

EATON®

**MODELS: RT/RP341, RT/RP381(P), RT/RP402(P), RT/RP401-P, RT/RP451-P, RT/RP340,
RT/RP380(P)RT/RP400-P, 34RT/RP, 38RT/RP**

ITEM NO.	PART NAME	QTY PER AXLE	RT/RP341			REMARKS
			RT/RP381 (P)	RT/RP402 (P)	RT/RP340	
			RT/RP401-P	RT/RP380 (P)	34RT/RP	
			RT/RP451-P	RT/RP400 -P	38RT/RP	
	Bearing, Seal & Gasket Kit	1	RAIR	RAIR	RAIR	
1	Diff. Carrier & Bearing Caps	1	67759	67759	67759	
	Carrier Casting No. (NSS))	1	119856	119856	119856	
2	Bearing Capscrew	4	32732	32732	32732	
3	Flat Washer	4	32912	32912	32912	
4	Lockwire	4	90538	90538	90538	
5	Dowel Bushing	2	32730	32730	32730	
6	Bearing Cap Adjuster Lock (RH)	1	13377	13377	13377	
7	Cotter Pin (RH)	1	90873	90873	90873	
8	Bearing Cap Adjuster Lock (LH)	1	37745	37745	37745	
9	Dowel Bushing (LH)	2	37746	37746	37746	
10	Cap Screw (LH)	2	37747	37747	37747	
11	Lockwire (LH)	2	12563	12563	12563	
12	Expansion Plug (Upper)	1	30703	30703	30703	
	Expansion Plug (Lower)	1	9797	9797	9797	
13	Shift Fork Shaft & "O" Ring Assy	1	113801	113801	113801	RT ONLY
14	Shift Fork & Roller Assy	1	32613	32613	32425	RT ONLY
15	Shift Unit Mounting Stud	2	119863	119863	119863	RT ONLY
16	Shift Fork Seal & Spring Assy	1	119855	119855	119855	RT ONLY
17	Shift Unit Assy	1	73507	73507	73507	RT ONLY
18	Lockwasher	2	119857	119857	119857	RT ONLY
19	Stud Nut	2	63028	63028	63028	RT ONLY
20	Diff. Bearing Adjuster (RH)	1	110243	27842	27842	
	Diff. Bearing Adjuster (LH)	1	56932	56932	56932	
21	Diff. Bearing Cup (RH)	1	493	493	493	
	Diff. Bearing Cup (LH)	1	56650	56650	56650	
22	Diff. Bearing Cup (RH)	1	497	497	497	
	Diff. Bearing Cup (LH)	1	56425	56425	56425	
23	Sliding Clutch	1	113596	113596	113596	RT ONLY
24	Sun Gear	1	113598	113598	113598	RP ONLY
25	Sun Gear Retainer	1	43178	43178	43178	RP ONLY
26	Shift Unit Opening Cover	1	45521	45521	45521	RP ONLY
27	Cap Screw	2	20807	20807	20807	RP ONLY
28	Lockwasher	2	90415	90415	90415	RP ONLY
29	Gear Support Case (RH)	1	110148	116568	116568	
	Gear Support Case (LH)	1	27838	27838	27838	
	Includes 27817 Cone (LH)					
30	Ring Gear & Drive Pinion Set	1	MATCHED PARTS: (SEE SEPARATE LISTING ON PAGE 65)			
	Includes Item 55					
31	Ring Gear Nut & Bolt Kit	1	87955	87955	87955	
	Bolt	8	44358	44358	44358	
	Nut	8	60599	60599	60599	
32	Gear Support Thrust Washer (RH)	1	27827	27827	27827	
	Gear Support Thrust Washer (LH)	1	43270	43270	43270	
33	Idler Pinion Pin	4	27861	27861	27861	
34	Idler Pinion	4	27835	27835	27835	
35	High-Speed Clutch Plate	1	56931	56931	56931	
	WHEEL DIFF. CASE KIT	1	101878	101878	101878	
	Includes Items 36-37					
36	Diff. Case Capscrew					
37	Diff. Case w/clutch plate pin					
	(Casting 96268) (LH) (NSS)	1	98182	98182	98182	FLANGE HALF
	Diff. Case (RH) (NSS)	1	96279	96279	96279	PLAIN HALF

NSS = Not Sold Separately

PARTS LISTED IN THIS CATALOG ARE NOT NECESSARILY MANUFACTURED BY THE ORIGINAL EQUIPMENT MANUFACTURER AND ANY REFERENCE TO THE TRADEMARKS OR PART NUMBERS OF OTHERS ARE FOR CROSS REFERENCE INFORMATIONAL PURPOSES ONLY. THE TRADEMARKS OF OTHERS REFERRED TO HEREIN ARE OWNED BY THEIR RESPECTIVE COMPANIES AND ARE NOT AFFILIATED IN ANY WAY WITH MIDWEST TRUCK & AUTO PARTS, INC.® MOTIVE GEAR® AND WORLD AMERICAN® ARE THE REGISTERED TRADEMARKS OF MIDWEST TRUCK & AUTO PARTS, INC.® USE OF THE ® IN CONNECTION WITH A MARK OF MIDWEST TRUCK & AUTO PARTS, INC.® INDICATES THAT THE MARK IS REGISTERED IN AT LEAST THE UNITED STATES. NO REPRESENTATION IS MADE WITH RESPECT TO THE SOURCE OF MANUFACTURE OF ANY PARTICULAR PART. © 2005, MIDWEST TRUCK & AUTO PARTS, INC.® ALL RIGHTS RESERVED.

EATON®

**MODELS: RT/RP341, RT/RP381(P), RT/RP402(P), RT/RP401-P, RT/RP451-P, RT/RP340,
RT/RP380(P)RT/RP400-P, 34RT/RP, 38RT/RP (Cont'd)**

ITEM NO.	PART NAME	QTY PER AXLE	RT/RP341 RT/RP381 (P) RT/RP402 (P) RT/RP401-P RT/RP451-P	RT/RP340 RT/RP380 (P) RT/RP400 -P	34RT/RP 38RT/RP	REMARKS
	WHEEL DIFF. SIDE GEAR & PINION KIT Includes Items 38-42					
	Models 34, 340,341	1	114469	98850	98850	
	38, 380, 381, 402	1	114470	85358	85358	
	400, 401, 451	1	98853	98853	-	
	WHEEL DIFF. KIT LESS SIDE GEARS Includes Items 38-41	1	118748	118748	118748	
38	Spider	1	38289	38289	38289	
39	Side Pinion	4	104139	104139	104139	
40	Side Pinion Thrust Washer	4	27810	27810	27810	
41	Side Gear Thrust Washer	2	27827	27827	27827	
42	Side Gear 2 Models: 34, 340, 341		110525	37072	37072	
	38, 380, 381, 402		110527	37069	37069	
	400, 401, 451		85486	85486	-	
43	Pinion Pilot Bearing	1	MUS1307UM	MUS1307UM	MUS1307UM	
44	Pinion Bearing Cone	2	55200C	55200C	55200C	
45	Pinion Bearing Spacer Washer	-	-	-	-	
46	Pinion Bearing Spacer	AR				
47	Pinion Bearing Cup	2	55437	55437	55437	
48	Pinion Bearing Cage & Cup Assy Ratios 3.55/4.83 & 3.70/5.05 (Cage 75107 (NSS) Other Ratios (Cage 75109 (NSS) 34/38RTB, C, 34/38RPB, C 34/38RTD, E, 34/38RPD, E	1	75108	75108	-	
			75110	75110	-	
			-	-	75108	
			-	-	75110	
49	Pinion Bearing Cage Shim .003" .005" .010" .020" .030"	AR	107567 107568 107569 107570 107571	107567 107568 107569 107570 107571	107567 107568 107569 107570 107571	
50	Capscrew	6	113325	113325	113325	
51	Lockwasher	6	37207	37207	37207	
	OIL SEAL & SHIM KIT Includes Items 16, 49, 52 & RTV	1	114104	114104	114104	
52	Oil Seal	1	9773	9773	9773	
53	Input Yoke	1	CALL YOUR SALES REP			
54	Flat Washer	1	56864	56864	4327	
55	Pinion Nut Ratios 3.70-4.33 (1-31/32" spline) Ratios 4.33-7.17 (1-3/4" spline)	1 - -	95206 - -	95206 - -	- 95206 95205	
	Gasket Compound	AR	107276	107276	107276	

NSS = Not Sold Separately

PARTS LISTED IN THIS CATALOG ARE NOT NECESSARILY MANUFACTURED BY THE ORIGINAL EQUIPMENT MANUFACTURER AND ANY REFERENCE TO THE TRADEMARKS OR PART NUMBERS OF OTHERS ARE FOR CROSS REFERENCE INFORMATIONAL PURPOSES ONLY. THE TRADEMARKS OF OTHERS REFERRED TO HEREIN ARE OWNED BY THEIR RESPECTIVE COMPANIES AND ARE NOT AFFILIATED IN ANY WAY WITH MIDWEST TRUCK & AUTO PARTS, INC.® MOTIVE GEAR® AND WORLD AMERICAN® ARE THE REGISTERED TRADEMARKS OF MIDWEST TRUCK & AUTO PARTS, INC.® USE OF THE ® IN CONNECTION WITH A MARK OF MIDWEST TRUCK & AUTO PARTS, INC.® INDICATES THAT THE MARK IS REGISTERED IN AT LEAST THE UNITED STATES. NO REPRESENTATION IS MADE WITH RESPECT TO THE SOURCE OF MANUFACTURE OF ANY PARTICULAR PART. © 2005, MIDWEST TRUCK & AUTO PARTS, INC.® ALL RIGHTS RESERVED.

EATON®

RING GEAR AND PINION SETS - REAR AXLES

MODEL RT/RP341/381/401/402/451

GEAR RATIO	GEAR SET	SUPERSEDED BY	TEETH COUNT
3.55/4.83	111513	219009	(39-11)
3.70/5.05	111514	219010	(37-10)
3.90/5.32	113526	219011	(39-10)
4.11/5.61	111515	219012	(37-9)
4.33/5.91	111516	219013	(39-9)
4.56/6.21	111517	219014	(41-9)
4.88/6.65	111518	219015	(39-8)
5.29/7.21	111519	219016	(37-7)
5.57/7.60	111520	219017	(39-7)
6.14/8.38	111521	219018	(43-7)
6.50/8.86	111522	218587	(39-6)
7.17/9.77	111523	219019	(43-6)

MODEL RT/RP340, 380, 400

GEAR RATIO	GEAR SET	TEETH COUNT
3.70/5.05	96833	(37-10)
4.11/5.61	98115	(37-9)
4.33/5.91	98116	(39-9)
4.56/6.21	98117	(41-9)
4.88/6.65	98118	(39-8)
5.29/7.21	98119	(37-7)
5.57/7.60	98120	(38-7)
6.14/8.38	98121	(43-7)
6.50/8.86	98122	(39-6)
7.17/9.77	98123	(43-6)

MODEL 34/38 RTB/RPB-C & RTD/RPD-E

GEAR RATIO	GEAR SET	TEETH COUNT
3.70/5.05	96833	(37-10)
4.11/5.61	96834	(37-9)
4.33/5.91	96835	(39-9)
4.56/6.21	96836	(41-9)
4.88/6.65	96837	(39-8)
5.29/7.21	96838	(37-7)
5.57/7.60	96839	(39-7)
5.57/7.60	96840	(39-7)
6.14/8.38	96841	(43-7)
6.50/8.86	96842	(39-6)
7.17/9.77	96843	(43-6)

1/2" BOLT HOLES IN RING GEAR

6.14/8.38	99666	(43-7)
6.50/8.86	99667	(39-6)
7.17/9.77	99668	(43-6)

PARTS LISTED IN THIS CATALOG ARE NOT NECESSARILY MANUFACTURED BY THE ORIGINAL EQUIPMENT MANUFACTURER AND ANY REFERENCE TO THE TRADEMARKS OR PART NUMBERS OF OTHERS ARE FOR CROSS REFERENCE INFORMATIONAL PURPOSES ONLY. THE TRADEMARKS OF OTHERS REFERRED TO HEREIN ARE OWNED BY THEIR RESPECTIVE COMPANIES AND ARE NOT AFFILIATED IN ANY WAY WITH MIDWEST TRUCK & AUTO PARTS, INC.® MOTIVE GEAR® AND WORLD AMERICAN® ARE THE REGISTERED TRADEMARKS OF MIDWEST TRUCK & AUTO PARTS, INC.® USE OF THE ® IN CONNECTION WITH A MARK OF MIDWEST TRUCK & AUTO PARTS, INC.® INDICATES THAT THE MARK IS REGISTERED IN AT LEAST THE UNITED STATES. NO REPRESENTATION IS MADE WITH RESPECT TO THE SOURCE OF MANUFACTURE OF ANY PARTICULAR PART. © 2005, MIDWEST TRUCK & AUTO PARTS, INC.® ALL RIGHTS RESERVED.



**The Heavy Duty Division of
MIDWEST TRUCK & AUTO PARTS, INC.™**

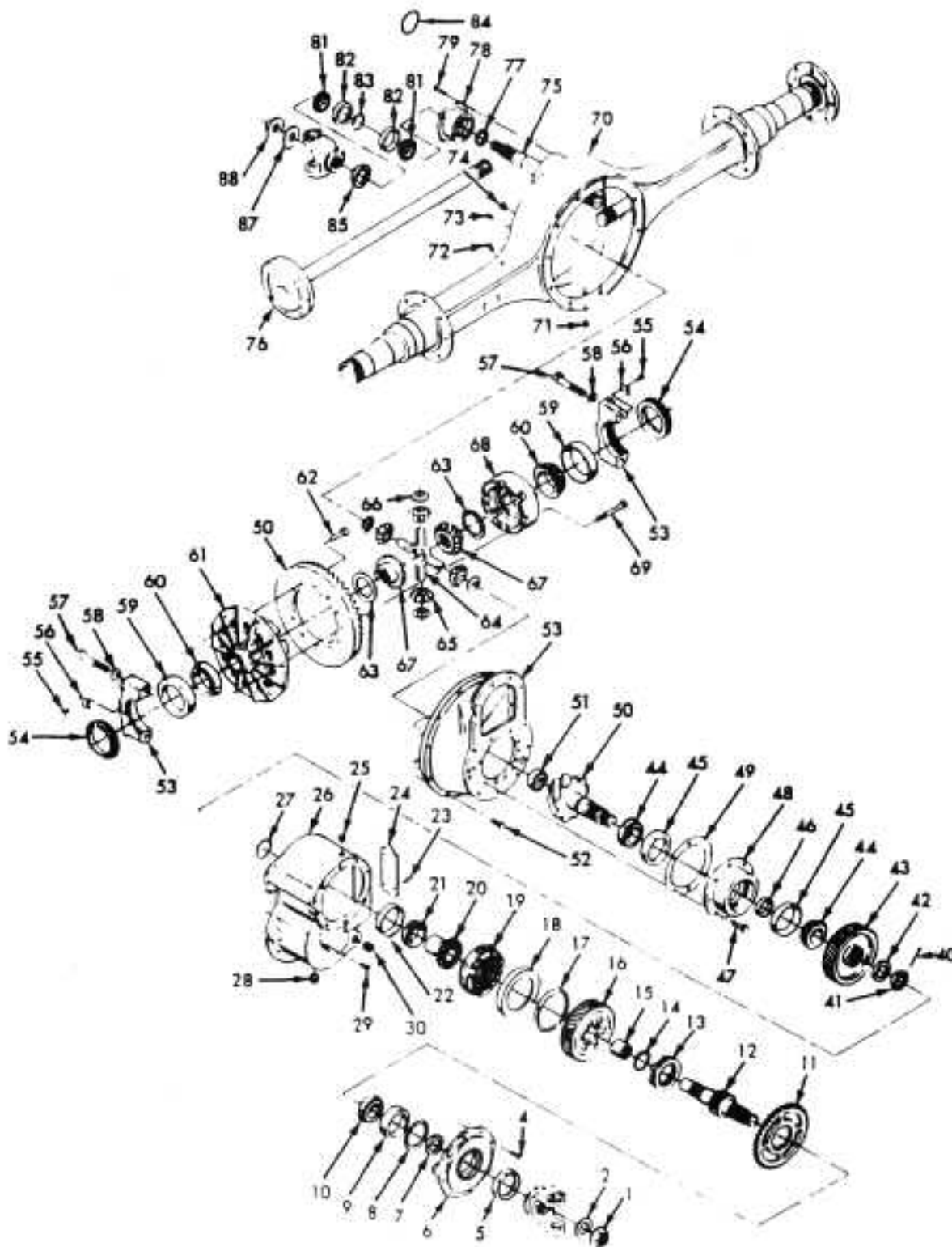
EVERY WORLD AMERICAN PRODUCT

- Meets or exceeds OS/QS requirements
- Backed by a comprehensive warranty
- Competitively priced
- Can be electronically ordered for shipment within 24 hours

PARTS LISTED IN THIS CATALOG ARE NOT NECESSARILY MANUFACTURED BY THE ORIGINAL EQUIPMENT MANUFACTURER AND ANY REFERENCE TO THE TRADEMARKS OR PART NUMBERS OF OTHERS ARE FOR CROSS REFERENCE INFORMATIONAL PURPOSES ONLY. THE TRADEMARKS OF OTHERS REFERRED TO HEREIN ARE OWNED BY THEIR RESPECTIVE COMPANIES AND ARE NOT AFFILIATED IN ANY WAY WITH MIDWEST TRUCK & AUTO PARTS, INC.® MOTIVE GEAR® AND WORLD AMERICAN® ARE THE REGISTERED TRADEMARKS OF MIDWEST TRUCK & AUTO PARTS, INC.® USE OF THE ® IN CONNECTION WITH A MARK OF MIDWEST TRUCK & AUTO PARTS, INC.® INDICATES THAT THE MARK IS REGISTERED IN AT LEAST THE UNITED STATES. NO REPRESENTATION IS MADE WITH RESPECT TO THE SOURCE OF MANUFACTURE OF ANY PARTICULAR PART. © 2005, MIDWEST TRUCK & AUTO PARTS, INC.® ALL RIGHTS RESERVED.

INTERNATIONAL[®]

N400 FRONT - REAR AXLE



PARTS LISTED IN THIS CATALOG ARE NOT NECESSARILY MANUFACTURED BY THE ORIGINAL EQUIPMENT MANUFACTURER AND ANY REFERENCE TO THE TRADEMARKS OR PART NUMBERS OF OTHERS ARE FOR CROSS REFERENCE INFORMATIONAL PURPOSES ONLY. THE TRADEMARKS OF OTHERS REFERRED TO HEREIN ARE OWNED BY THEIR RESPECTIVE COMPANIES AND ARE NOT AFFILIATED IN ANY WAY WITH MIDWEST TRUCK & AUTO PARTS, INC.[®] MOTIVE GEAR[®] AND WORLD AMERICAN[®] ARE THE REGISTERED TRADEMARKS OF MIDWEST TRUCK & AUTO PARTS, INC.[®] USE OF THE [®] IN CONNECTION WITH A MARK OF MIDWEST TRUCK & AUTO PARTS, INC.[®] INDICATES THAT THE MARK IS REGISTERED IN AT LEAST THE UNITED STATES. NO REPRESENTATION IS MADE WITH RESPECT TO THE SOURCE OF MANUFACTURE OF ANY PARTICULAR PART. © 2005, MIDWEST TRUCK & AUTO PARTS, INC.[®] ALL RIGHTS RESERVED.

INTERNATIONAL®

N400 FRONT - REAR AXLE

ITEM NO.	PART NO.	DESCRIPTION	QTY	ITEM NO.	PART NO.	DESCRIPTION	QTY
		AXLE, FWD REAR DANA® N400I 40000 LB. SGL - RED					
1	1696474C1	NUT, FLG INPUT SHAFT	1	30		PLUG, FRT. INTERAXLE DIFF. COVER	
2	390362R1	WASHER, INPUT SHAFT NUT	1		586045C1	W/O CODE 14WLE	1
4	1691240C1	BOLT, HEX-HD 1/2 - 13 UNC X 1-1/4 IN. FRT. BRG. RET.	8		2035618C1	W/CODE 14WLE	1
5	415013N	▲ SEAL, INPUT SHAFT OIL PRIOR TO 7/15/91 7/15/91 AND LATER	1 1	40	19415R1	PIN, PINION NUT ROLL	1
6	1691153C91	RETAINER, FRT. BRG. REPLACEMENT FLANGE FOR TRUCKS BUILT AFTER 7/15/91	1	41	83799	NUT, HEX PINION SHAFT	1
	1693855C1	GASKET ELIMINATOR, 6ML	AR	42	1665324C1	SPACER, PINION NUT	1
7	1665324C1	SPACER, INPUT FLANGE	1	43	1665380C1	GEAR, HELICAL DRIVEN 44T	1
8		SHIM, INTERAXLE DIFF. BRG. .003 IN. THK .005 IN. THK .010 IN. THK .030 IN. THK	AR AR AR AR	44	72225C	▲ BEARING, CONE PINION	2
9	HM 807010	▲ BEARING, CUP INPUT SHAFT	1	45	72487	▲ BEARING, CUP PINION	2
10	HM807049	▲ BEARING, CONE INPUT SHAFT	1	46		SPACER, PINION BRG .718 IN. THK .722 IN. THK .726 IN. THK .730 IN. THK .734 IN. THK .738 IN. THK .742 IN. THK	AR AR AR AR AR AR AR
11	1665308C1	GEAR, OIL PUMP DR	1	47	1691152C1	BOLT, HEX-HD PINION BRG. CAGE	8
12		SHAFT, INPUT W/NUT PRIOR TO 9/1/91 (SN 24591A) 9-1-91 AND LATER (SN 24591A)	1 1	48	1665303C91	CAGE, W/CUPS, PINION BRG.	1
13	1665332C1	COLLAR, SHIFT	1	49		SHIM, PINION BRG. CAGE .003 IN. THK .005 IN. THK .010 IN. THK .030 IN. THK	AR AR AR AR
14	2501605C91	WASHER, THRUST	1	50		// GEAR SET, RING AND PINION 3.06-1 RATIO 3.21-1 RATIO 3.42-1 RATIO 3.54-1 RATIO 3.73-1 RATIO 3.91-1 RATIO 4.10-1 RATIO 4.44-1 RATIO 4.56-1 RATIO 4.78-1 RATIO 4.89-1 RATIO 5.11-1 RATIO 5.25-1 RATIO 5.38-1 RATIO 5.63-1 RATIO 6.14-1 RATIO	1 1 1 1 1 1 1 1 1 1 1 1 1 1 1 1 1 1 1
15	B3624	▲ BEARING, HELICAL DR GEAR NEEDLE	1	51	RU1570UM	▲ BEARING PINION PILOT	1
16	1665309C91	▶ GEAR, HELICAL DR W/BRG 44T	1	52	1691152C1	BOLT, HEX-HD 9/16 - 12UNC X 1-1/2 IN. DIFF. CARRIER	12
17		NOT USED		53	1665304C91	CARRIER W/CAPS, DIFF.	1
18	1665312C1	▶ SLINGER, OIL	1		1693856C1	GASKET ELIMINATOR, 50ML	AR
19	1665307C91	▶ CASE, INTERAXLE DIFF.	1	54	1665313C91	ADJUSTER, DIFF. BRG.	2
20	1665300C1	▶ GEAR, INTERAXLE DIFF. REAR SIDE	1	55	26310R1	BOLT, HEX-HD 3/8 - 16UNC X 1 IN. BRG. ADJ. LK	2
21	JLM710949	▲ BEARING, CONE REAR INPUT SHAFT FOR SERVICE ORDER JLM710949	1	56	1665314C1	LOCK. DIFF. BRG ADJ	2
22	JLM710910	▲ BEARING, CUP REAR INPUT SHAFT FOR SERVICE ORDER JLM710910	1	57	1691245C1	BOLT, HEX-HD, BRG CAP	4
23	26678R1	BOLT, HEX-HD 5/16-18 X 1 IN. OIL PUMP COVER	5	58	25712R1	WASHER, FL 3/4 IN. BRG CAP BOLT	4
24	1665306C1	COVER, OIL PUMP	1	59	495	▲ BEARING, CUP DIFF.	2
25		PLUG, FILLER W/O CODE 14WLE W/CODE 14WLE	1 1	60	493	▲ BEARING, CONE DIFF.	2
26	1665301C91	COVER, INTERAXLE DIFF. HELICAL GEAR	1	61		# CASE, DIFF. FLG HALF	1
27	21003R1	▲ RING, O, INTERAXLE DIFF.	1				
28	1665376C1	PLUG, DRAIN MAGNETIC	1				
29	1691240C1	BOLT, HEX-HD 1/2 - 13UNC X 1-1/4 IN. DIFF. COVER	12				

PARTS LISTED IN THIS CATALOG ARE NOT NECESSARILY MANUFACTURED BY THE ORIGINAL EQUIPMENT MANUFACTURER AND ANY REFERENCE TO THE TRADEMARKS OR PART NUMBERS OF OTHERS ARE FOR CROSS REFERENCE INFORMATIONAL PURPOSES ONLY. THE TRADEMARKS OF OTHERS REFERRED TO HEREIN ARE OWNED BY THEIR RESPECTIVE COMPANIES AND ARE NOT AFFILIATED IN ANY WAY WITH MIDWEST TRUCK & AUTO PARTS, INC.® MOTIVE GEAR® AND WORLD AMERICAN® ARE THE REGISTERED TRADEMARKS OF MIDWEST TRUCK & AUTO PARTS, INC.® USE OF THE ® IN CONNECTION WITH A MARK OF MIDWEST TRUCK & AUTO PARTS, INC.® INDICATES THAT THE MARK IS REGISTERED IN AT LEAST THE UNITED STATES. NO REPRESENTATION IS MADE WITH RESPECT TO THE SOURCE OF MANUFACTURE OF ANY PARTICULAR PART. © 2005, MIDWEST TRUCK & AUTO PARTS, INC.® ALL RIGHTS RESERVED.

INTERNATIONAL®

N400 FRONT - REAR AXLE

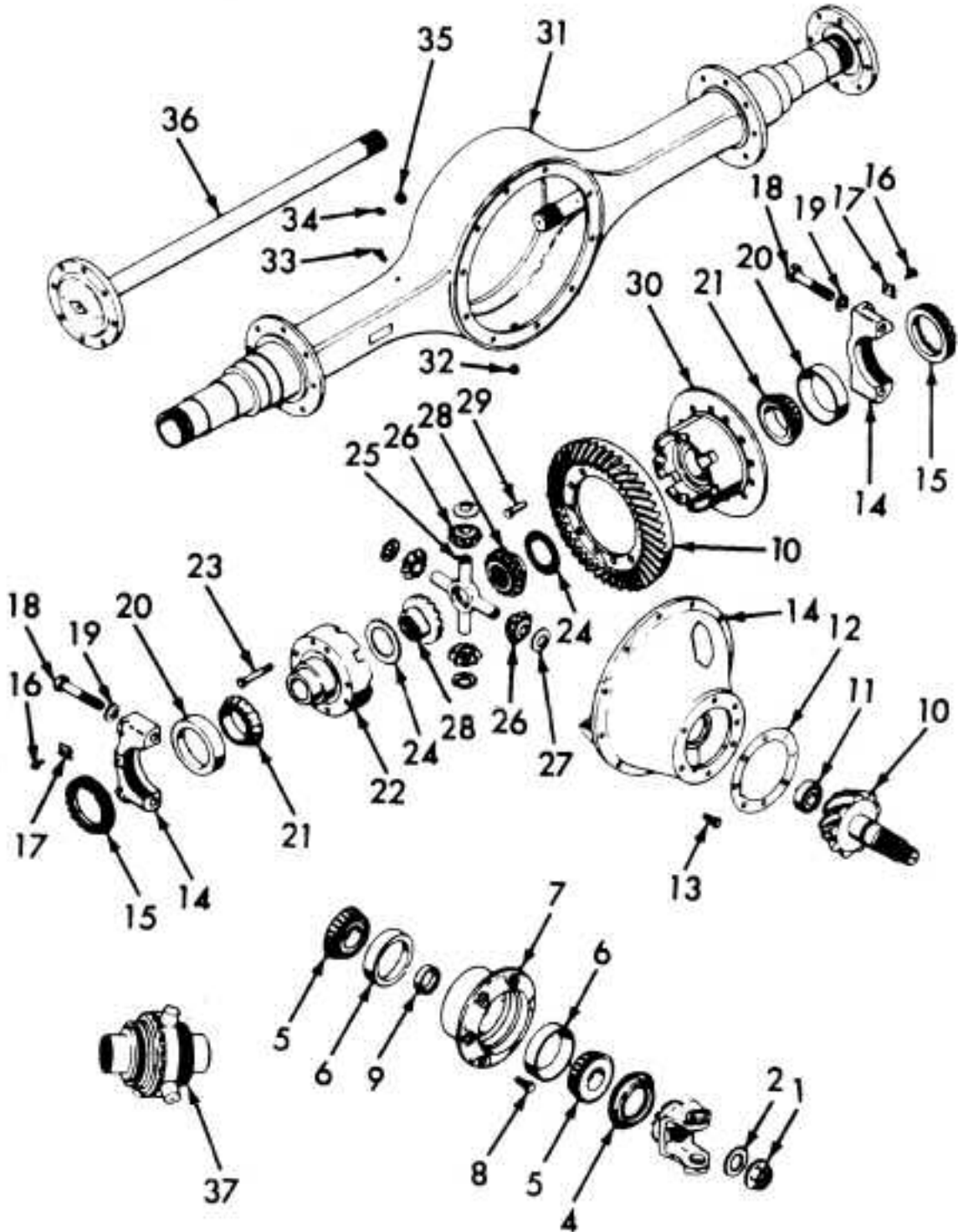
ITEM NO.	PART NO.	DESCRIPTION	QTY
62	157490R1	☉ RIVET, RING GEAR	12
63	157494R1	@ WASHER, SIDE GEAR THRUST	2
64	864356R2	@ SPIDER, DIFF.	
65	864357R2	@ GEAR, PINION DIFF.	4
66	864360R1	@ WASHER, PINION GEAR THRUST	4
67	571354C1	@ GEAR, DIFF. SIDE - 41 SPL	2
	571357C1	@ GEAR, DIFF. SIDE - 39 SPL	2
68		# CASE, DIFF. PLN HALF	1
69	1691252C1	# BOLT, HEX-HD 9/16 - 12UNC X 3-3/4 IN. DIFF. CASE	8
70		HOUSING, AXLE	
	2660840C1	HEND® AIR SUSP INTL SUSP 4-SPG EXC LOW PROFILE SUSP.	1
	1686124C1	W/O ABS	1
	1686124C1	W/ABS	1
	1680593C1	FOR LOW PROFILE SUSP AIR	1
	1660840C1	EXC. LOW PROFILE SUSP FOR LOW PROFILE SUSP	1
	1672319C2	W/O ABS REORDER 2007984C1 HSG AND 1668708C1 TTR-BRKT W/ABS	1
	2018802C1		1
71	586049C1	PLUG, MAGNETIC DRAIN	1
72	91916R91	BREATHER, AXLE HSG	1
73	586046C1	PLUG, TEMP SENDER HOLE	1
74		PLUG, FILLER	
	586045C1	W/O CODE 14WLE	1
	2035618C1	W/CODE 14WLE	1
75	1665379C91	SHAFT, W/NUT, OUTPUT	1
76		SHAFT, AXLE	
	571350C2	W/O CODES 844004, 844006	2
	1615350C1	W/CODE 844004	2
	1694307C1	W/CODE 844006	2
	895493R2	GASKET, AXLE SHAFT FLG W/O CODES 844004, 844006	2
	56152R2	W/CODE 844004	2
	297336C1	W/CODE 844006	2
77	1665378C1	SPACER, OUTPUT SHAFT	1
78	1692929C91	CAGE, OUTPUT SHAFT BRG	1
79	26310R1	BOLT, HEX-HD, BRG CAGE 3/8 - 16UNC X 1 IN.	4
80		NOT USED	
81	A1400	/ CONE, OUTPUT SHAFT BRG	2
82	A1400	/ CUP, OUTPUT SHAFT BRG	2
83		/ RING, SNAP, INNER	1
84		/ RING, SNAP, OUTER	1
85	4624V	▲ SEAL, OIL, OUTPUT SHAFT	1
87	597194C1	WASHER, OUTPUT SHAFT NUT	1
88	1696471C1	NUT, OUTPUT SHAFT FLG	1
89	LF689	FILTER, PUMP	1
	1665311C91	W/CODE 14WAC	
90	1665373C91	SCREEN, PUMP W/CODE 14WAC	1
91	1660842C91	PUMP, LUBE W/CODE 14WAC	1

ITEM NO.	PART NO.	DESCRIPTION	QTY
92		DIFFERENTIAL, NO-SPIN™ NOTE: ITEM 92 REPLACES ITEMS 63 THRU 67 WHEN NO-SPIN™ DIFF IS USED.	1
		DIFFERENTIAL, STD	
	1665224C92	3.06-1 RATIO	
	1665225C92	3.21-1 RATIO	
	1665226C92	3.42-1 RATIO	
	1665227C92	3.54-1 RATIO	
	1665228C92	3.73-1 RATIO	
	1665229C92	3.91-1 RATIO	
	1665230C92	4.10-1 RATIO	
	1665231C92	4.44-1 RATIO	
	1665232C92	4.56-1 RATIO	
	1665233C92	4.78-1 RATIO	
	1665234C92	4.89-1 RATIO	
	1665235C92	5.11-1 RATIO	
	1665236C92	5.25-1 RATIO	
	1665237C92	5.38-1 RATIO	
	1665238C92	5.63-1 RATIO	
	1665239C92	6.14-1 RATIO	
	554204C1	* GASKET, SILICONE, 3 OZ. TUBE	
		* NON-ILLUSTRATED // SEE DIFF. CASE LISTING WHEN CHANGING RATIOS	
	1696994C91	☉ BOLT KIT # CASE, DIFF W/BOLTS	
	1665327C91	3.06 THRU 4.44-1 RATIO	
	1665328C91	4.78 THRU 6.14-1 RATIO	
	1665325C91	▶ KIT, INTERAXLE DIFF. W/GEARS	
	1677057C91	/ KIT, OUTPUT SHAFT BRG	
	585705C91	@ MAIN DIFF KIT - 39 SPL.	
	585706C91	@ MAIN DIFF KIT - 41 SPL. RA223FR	
	▲	BRG AND SEAL KIT	

PARTS LISTED IN THIS CATALOG ARE NOT NECESSARILY MANUFACTURED BY THE ORIGINAL EQUIPMENT MANUFACTURER AND ANY REFERENCE TO THE TRADEMARKS OR PART NUMBERS OF OTHERS ARE FOR CROSS REFERENCE INFORMATIONAL PURPOSES ONLY. THE TRADEMARKS OF OTHERS REFERRED TO HEREIN ARE OWNED BY THEIR RESPECTIVE COMPANIES AND ARE NOT AFFILIATED IN ANY WAY WITH MIDWEST TRUCK & AUTO PARTS, INC.® MOTIVE GEAR® AND WORLD AMERICAN® ARE THE REGISTERED TRADEMARKS OF MIDWEST TRUCK & AUTO PARTS, INC.® USE OF THE ☉ IN CONNECTION WITH A MARK OF MIDWEST TRUCK & AUTO PARTS, INC.® INDICATES THAT THE MARK IS REGISTERED IN AT LEAST THE UNITED STATES. NO REPRESENTATION IS MADE WITH RESPECT TO THE SOURCE OF MANUFACTURE OF ANY PARTICULAR PART. © 2005, MIDWEST TRUCK & AUTO PARTS, INC.® ALL RIGHTS RESERVED.

INTERNATIONAL[®]

N400 FRONT - REAR AXLE



PARTS LISTED IN THIS CATALOG ARE NOT NECESSARILY MANUFACTURED BY THE ORIGINAL EQUIPMENT MANUFACTURER AND ANY REFERENCE TO THE TRADEMARKS OR PART NUMBERS OF OTHERS ARE FOR CROSS REFERENCE INFORMATIONAL PURPOSES ONLY. THE TRADEMARKS OF OTHERS REFERRED TO HEREIN ARE OWNED BY THEIR RESPECTIVE COMPANIES AND ARE NOT AFFILIATED IN ANY WAY WITH MIDWEST TRUCK & AUTO PARTS, INC.[®] MOTIVE GEAR[®] AND WORLD AMERICAN[®] ARE THE REGISTERED TRADEMARKS OF MIDWEST TRUCK & AUTO PARTS, INC.[®] USE OF THE [®] IN CONNECTION WITH A MARK OF MIDWEST TRUCK & AUTO PARTS, INC.[®] INDICATES THAT THE MARK IS REGISTERED IN AT LEAST THE UNITED STATES. NO REPRESENTATION IS MADE WITH RESPECT TO THE SOURCE OF MANUFACTURE OF ANY PARTICULAR PART. © 2005, MIDWEST TRUCK & AUTO PARTS, INC.[®] ALL RIGHTS RESERVED.

INTERNATIONAL[®]

N400 REAR - REAR AXLE

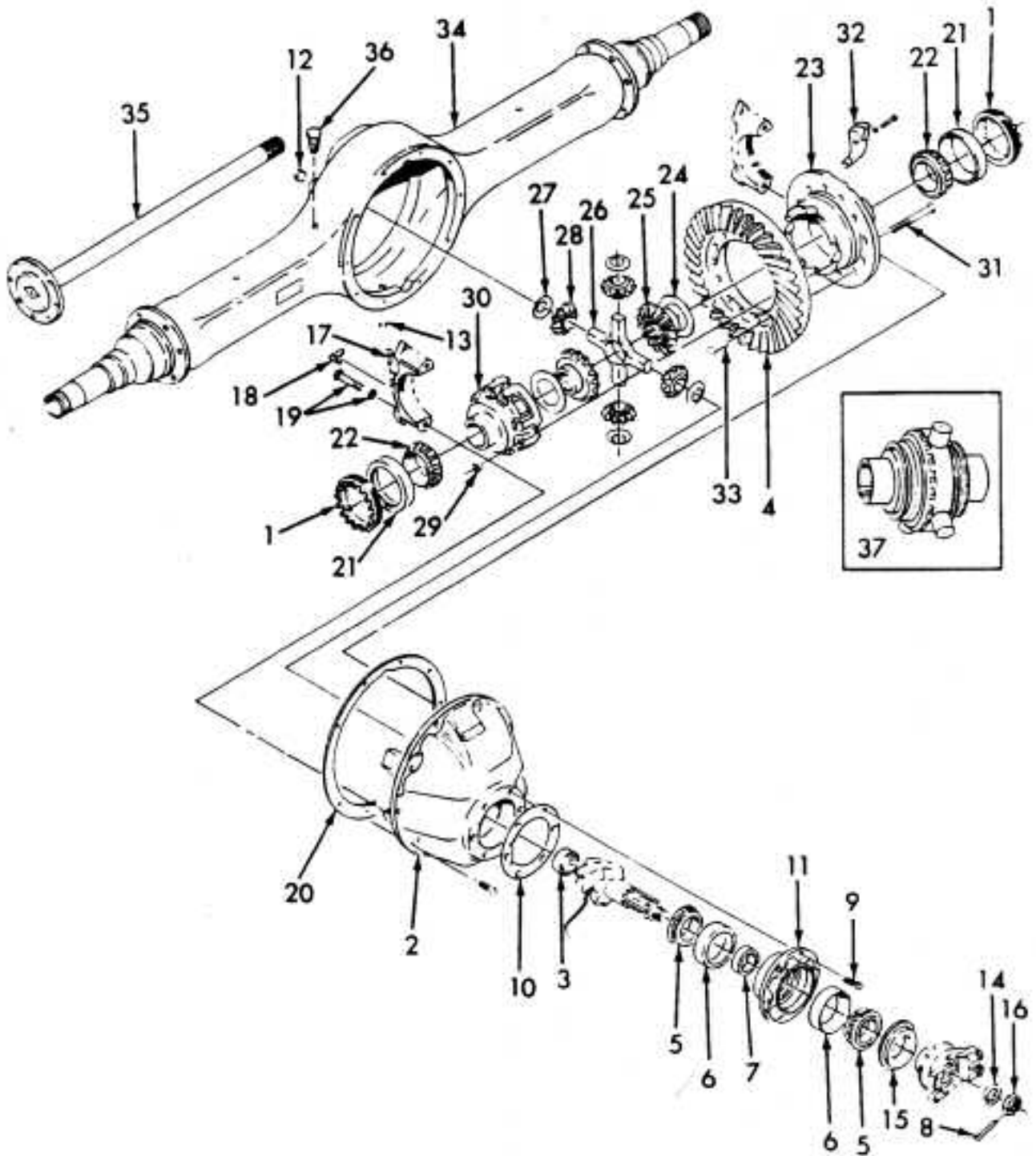
ITEM NO.	PART NO.	DESCRIPTION	QTY
		AXLE, REAR REAR DANA [®] N400 40000 LB. SGL-RED	
1	1696474C1	NUT, HEX PINION SHAFT	1
2	390362R1	WASHER, PINION SHAFT NUT	1
4	710008	SEAL, OIL PINION @ PRIOR TO 7/15/91	1
	1691143C91	7/15/91 AND LATER	1
5	72225C	@ BEARING CONE PINION	2
6	72487	@ BEARING CUP PINION	2
7	454719C91	CAGE, PINION BRG W/CUPS	1
8	1691152C1	BOLT, PINION BRG CAGE	8
9		SPACER, PINION BRG	
	360453C1	.718 IN. THK	AR
	350457C1	.722 IN. THK	AR
	360461C1	.726 IN. THK	AR
	360465C1	.730 IN. THK	AR
	360469C1	.734 IN. THK	AR
	393975C1	.738 IN. THK	AR
	393979C1	.742 IN. THK	AR
10		// GEAR SET, RING AND PINION	
	1665354C91	3.06-1 RATIO	1
	1665355C91	3.21-1 RATIO	1
	1665356C91	3.42-1 RATIO	1
	1665357C91	3.54-1 RATIO	1
	1665358C91	3.73-1 RATIO	1
	1665359C91	3.91-1 RATIO	1
	1665360C91	4.10-1 RATIO	1
	1665361C91	4.44-1 RATIO	1
	1665363C91	4.78-1 RATIO	1
	1665365C91	5.11-1 RATIO	1
	1665367C91	5.38-1 RATIO	1
	1665368C91	5.63-1 RATIO	1
	1665369C91	6.14-1 RATIO	1
11	RU1570UBM	@ BEARING, PILOT PINION	1
12		SHIM, PINION BRG CAGE	
	896612R1	.005 IN. THK	AR
	157566R1	.010 IN. THK	AR
	157567R1	.030 IN. THK	AR
13	1691152C1	BOLT, CARRIER TO HSG	12
14		CARRIER, DIFF. W/CAPS	
	1665305C91	3.06 THRU 6.14-1 RATIOS	1
	1681583C91	6.25 THRU 7.83-1 RATIOS	1
	1693856C1	GASKET, ELIMINATOR 50ML	1
15	1665313C1	ADJUSTER, DIFF. BRG	2
16	26310R1	BOLT, HEX-HD BRG ADJ. LK	2
17	1665314C1	LOCK, DIFF. BRG ADJ.	2
18	1691245C1	BOLT, HEX-HD BRG CAP	4
19	25712R1	WASHER, FL CAP BOLT	4
20	495	@ BEARING, CUP DIFF.	2
21	493	BEARING, CONE DIFF.	2
22		# CASE, DIFF. PL HALF	1
23	1691252C1	# BOLT, HEX-HD 9/16 X 3-3/4 IN. DIFF. CASE	8
24	157494R1	▶ WASHER, SIDE GEAR THRUST	2
25	864356R2	▶ SPIDER, DIFF.	1
26	864357R2	▶ GEAR, PINION DIFF.	4
27	864360R1	▶ WASHER, SIDE GEAR THRUST	4
28	571354C1	▶ GEAR, SIDE DIFF. 41 SPL.	2
	571357C1	▶ GEAR, SIDE DIFF. 39 SPL.	2

ITEM NO.	PART NO.	DESCRIPTION	QTY
29	157490R1	RIVET, RING GEAR TO DIFF. CASE	12
30		⊙# CASE, DIFF. FLG HALF	1
31		HOUSING, AXLE	
	1686125C1	HEND [®] AIR SUSP 4-SPG	1
	1697104C1	EXC LOW PROFILE	1
	1680594C1	FOR LOW PROFILE	1
		AIR	
		EXC LOW PROFILE	
	1686125C1	W/O ABS SENSOR	1
	1686125C1	W/ABS SENSOR	1
		FOR LOW PROFILE	
	1672320C2	W/O ABS SENSOR	1
		REORDER 2007985C1 HSG AND 1668708C1 TTR BKT	
	2018514C1	W/ABS SENSOR	1
		REORDER 2018513C1 HSG AND 1668708C1 TTR BKT	
32	586049C1	PLUG, MAGNETIC DRAIN	1
33	91916R91	BREATHER, AXLE HSG	1
34	586048C1	PLUG, TEMP	1
35		PLUG, FILLER	
	586045C1	W/O CODE 14WLE	1
	2035618C1	W/CODE 14WLE	1
36		SHAFT AXLE	
	571350C2	EXC CODE 844004	2
	1615350C1	FOR CODE 844004	2
		GASKET, AXLE SHAFT	
	895493R2	EXC CODE 844004	2
	56152R2	FOR CODE 844004	2
37		DIFFERENTIAL, NO-SPIN [™]	1
		NOTE: ITEM 37 REPLACES ITEMS 24 THRU 28 WHEN NO-SPIN[™] DIFF. IS USED.	
		DIFFERENTIAL, STD	
	1665281C92	3.06-1 RATIO	
	1665282C92	3.21-1 RATIO	
	1665283C92	3.42-1 RATIO	
	1665284C92	3.54-1 RATIO	
	1665285C92	3.73-1 RATIO	
	1665386C92	3.91-1 RATIO	
	1665287C92	4.10-1 RATIO	
	1665288C92	4.44-1 RATIO	
	1665290C92	4.78-1 RATIO	
	1665292C92	5.11-1 RATIO	
	1665294C92	5.38-1 RATIO	
	1665295C92	5.63-1 RATIO	
	1665296C92	6.14-1 RATIO	
		// DIFF. CASE LISTINGS WHEN CHANGING RATIOS	
	RA223RR	@ BRG AND SEAL KIT	
		# CASE, DIFF W/BOLTS	
	1665327C91	3.06 THRU 4.44-1 RATIO	
	1665328C91	4.78 THRU 6.14-1 RATIO	
	585705C91	▶ MAIN DIFF. KIT - 39 SPL.	
	585706C91	▶ MAIN DIFF. KIT - 41 SPL.	
	1696994C91	⊙ BOLT KIT	

PARTS LISTED IN THIS CATALOG ARE NOT NECESSARILY MANUFACTURED BY THE ORIGINAL EQUIPMENT MANUFACTURER AND ANY REFERENCE TO THE TRADEMARKS OR PART NUMBERS OF OTHERS ARE FOR CROSS REFERENCE INFORMATIONAL PURPOSES ONLY. THE TRADEMARKS OF OTHERS REFERRED TO HEREIN ARE OWNED BY THEIR RESPECTIVE COMPANIES AND ARE NOT AFFILIATED IN ANY WAY WITH MIDWEST TRUCK & AUTO PARTS, INC.[®] MOTIVE GEAR[®] AND WORLD AMERICAN[®] ARE THE REGISTERED TRADEMARKS OF MIDWEST TRUCK & AUTO PARTS, INC.[®] USE OF THE ⊙ IN CONNECTION WITH A MARK OF MIDWEST TRUCK & AUTO PARTS, INC.[®] INDICATES THAT THE MARK IS REGISTERED IN AT LEAST THE UNITED STATES. NO REPRESENTATION IS MADE WITH RESPECT TO THE SOURCE OF MANUFACTURE OF ANY PARTICULAR PART. © 2005, MIDWEST TRUCK & AUTO PARTS, INC.[®] ALL RIGHTS RESERVED.

INTERNATIONAL®

N400 REAR - REAR AXLE



PARTS LISTED IN THIS CATALOG ARE NOT NECESSARILY MANUFACTURED BY THE ORIGINAL EQUIPMENT MANUFACTURER AND ANY REFERENCE TO THE TRADEMARKS OR PART NUMBERS OF OTHERS ARE FOR CROSS REFERENCE INFORMATIONAL PURPOSES ONLY. THE TRADEMARKS OF OTHERS REFERRED TO HEREIN ARE OWNED BY THEIR RESPECTIVE COMPANIES AND ARE NOT AFFILIATED IN ANY WAY WITH MIDWEST TRUCK & AUTO PARTS, INC.® MOTIVE GEAR® AND WORLD AMERICAN® ARE THE REGISTERED TRADEMARKS OF MIDWEST TRUCK & AUTO PARTS, INC.® USE OF THE ® IN CONNECTION WITH A MARK OF MIDWEST TRUCK & AUTO PARTS, INC.® INDICATES THAT THE MARK IS REGISTERED IN AT LEAST THE UNITED STATES. NO REPRESENTATION IS MADE WITH RESPECT TO THE SOURCE OF MANUFACTURE OF ANY PARTICULAR PART. © 2005, MIDWEST TRUCK & AUTO PARTS, INC.® ALL RIGHTS RESERVED.

INTERNATIONAL[®]

RA30 - REAR AXLE

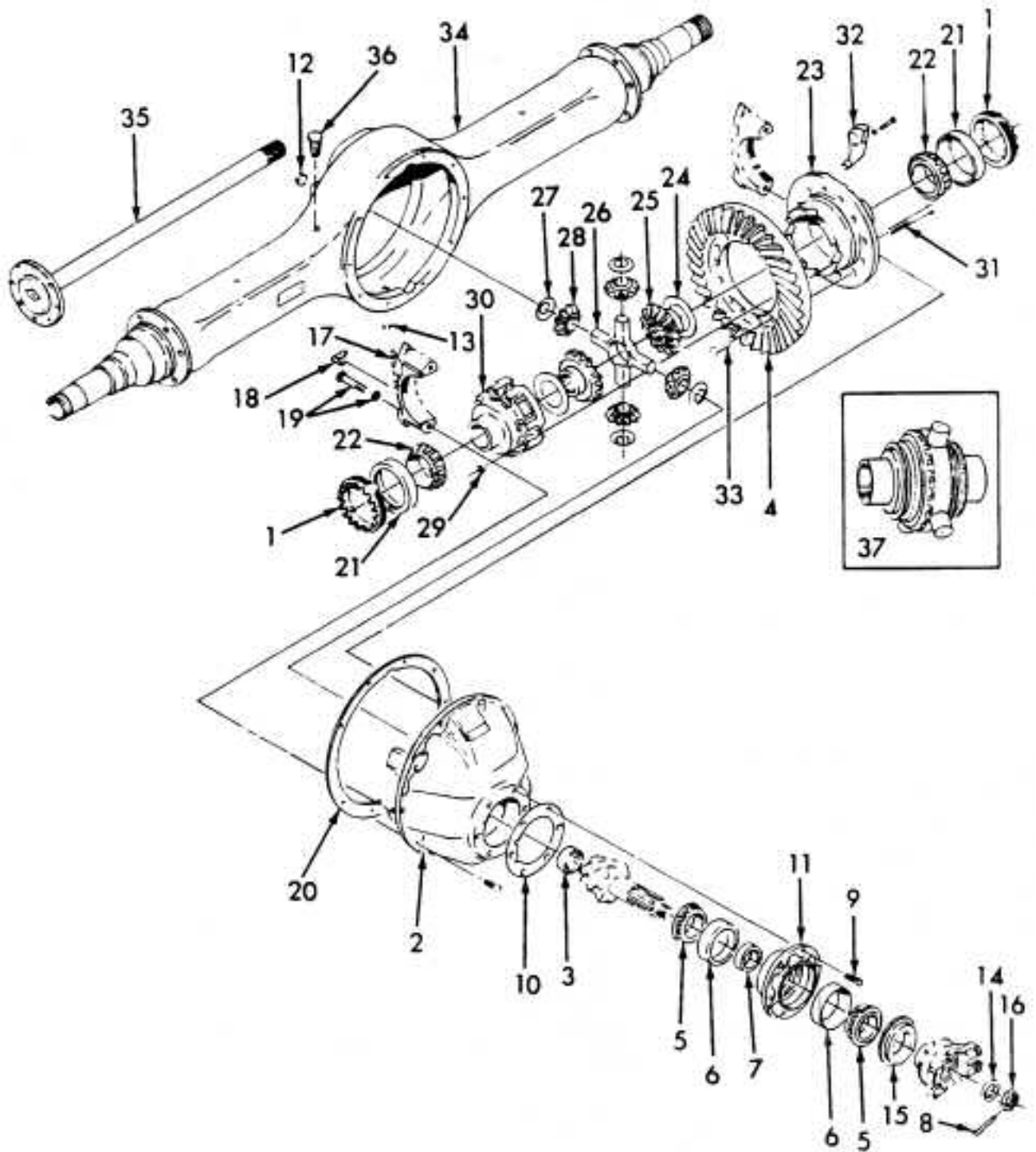
ITEM NO.	PART NO.	DESCRIPTION	QTY
		AXLE, REAR INTL/DANA [®] D135S 15500 LB. SGL-RED	
1	54528HA	ADJUSTER, DIFF. BRG	2
2	69016R93	CARRIER, DIFF. W/CAPS BOLT, CARRIER TO HSG HEX-HD	1
	590796C1	7/16NF X 1-1/4 IN.	6
	590797C1	7/16NF X 1-3/4 IN.	2
	24852R1	7/16NF X 2-1/4 IN.	2
3	MUB5205UM	& BEARING, PILOT PINION REAR	1
4		// GEAR SET, RING AND PINION	
	1653808C91	4.78-1 RATIO	
	69021R93	5.29-1 RATIO	1
	578793C91	5.38-1 RATIO	1
	69022R93	6.17-1 RATIO	1
	69014R93	6.67-1 RATIO	1
	69015R93	7.17-1 RATIO	1
	69017R1	RIVET, RING GEAR TO DIFF. CASE	14
5	HM903249A	& BEARING, CONE PINION FRT FOR SERVICE REORDER HM903249A	2
6	HM903210	& BEARING, CUP PINION FRT	2
7		SPACER, PINION FRT BRG	
	49413HA	.519 IN. THK	AR
	49415HA	.525 IN. THK	AR
	49417HA	.531 IN. THK	AR
	49419HA	.537 IN. THK	AR
	49421HA	.543 IN. THK	AR
8		NOT USED	
9	25293R1	BOLT, HEX-HD 1/2-13UNC X 5-1/2 IN.	8
10		SHIM, PINION BRG CAGE	
	683264R1	.003 IN. THK LOWER HALF	AR
	683264R1	.005 IN. THK	AR
	52748HA	.010 IN. THK	AR
	52749HA	.032 IN. THK	AR
11	454711C91	CAGE, PINION BRG W/CUPS	1
	83968R1	BOLT, CAGE TO CARRIER	6
12	586045C1	PLUG, FILLER	1
13	586049C1	PLUG, MAGNETIC DRAIN	1
14	54557H	WASHER, PINION SHAFT	1
15	711553	& SEAL, OIL PINION	1
16	117804H	NUT, COMPANION FLG	1
	54557H	WASHER, COMPANION FLG NUT	1
	1/8X 1-3 /4P	PIN, COTTER 1/8 X	1
17	3/16 X1 /P	PIN, COTTER 3/16 X 1 IN.	2
18	ETN0090186	LOCK, DIFF. BRG ADJ	2
19	69018R1	BOLT, DIFF. CARRIER BRG CAP	4
	25879R1	WASHER, BOLT DIFF. BRG CAP	AR
20	69177R1	& GASKET, DIFF. TO HSG	1
21	3925	& BEARING, CUP DIFF. CASE	2
22	3984	& BEARING, CONE DIFF. CASE	2
23		▶ CASE, DIFF. FLG HALF	
24	86233H	# WASHER, SIDE GEAR THRUST	2
25	571353C1	# GEAR, SIDE - 36 SPL.	2
26	436830C1	# SPIDER, DIFF.	1
27	88015H	# WASHER, PINION GEAR THRUST	4

ITEM NO.	PART NO.	DESCRIPTION	QTY
28	436831C1	# GEAR, PINION DIFF.	4
29	9412230	▶ NUT, HEX LK 1/2NF	8
30	493202C91	▶ CASE, DIFF. PL HALF	1
31	25293R	▶ BOLT, DIFF. CASE	8
32		SCOOP, OIL DIFF. CASE SHAFT	
	83420R91	PRE-AUTOMATED AXLE SHAFT	1
	83394R91	AUTOMATED AXLE SHAFT	1
		1/4 X 3/4 L	1
		1/4 R	1
33	69017R1	● RIVET, RING GR	14
34		HOUSING, AXLE	
	583207C92	PRE-AUTOMATED AXLE SHAFT	1
	589025C93	AUTOMATED AXLE SHAFT	1
35		SHAFT, AXLE	
	455460C1	1-3/4 IN. X 16 SPLINES PRE-AUTOMATED AXLE SHAFT	2
	571347C2	1-7/8 IN. X 36 SPLINES AUTOMATED AXLE SHAFT	2
	500016C1	GASKET, AXLE SHAFT FLG	2
36		STUD, WHEEL FLG	16
37		DIFFERENTIAL, NO-SPIN™ UNIT NOTE: ITEM 37 REPLACES ITEMS 24 THRU 28 WHEN NO-SPIN™ DIFF. IS USED.	
		DIFFERENTIAL, STD 1-3/4 IN. X 16 SPLINES PRE-AUTOMATED AXLE SHAFT STANDARD	
	577532C91	5.38-1 RATIO	
	436837C92	6.17-1 RATIO	
	436838C92	6.67-1 RATIO	
	436839C92	7.17 IN. X 36 SPLINES AUTOMATED AXLE SHAFT STANDARD	
	579422C91	5.38-1 RATIO	
	572199C91	6.17-1 RATIO	
	572200C91	6.67-1 RATIO	
	572201C91	7.17-1 RATIO	
		// SEE DIFF. CASE LISTING WHEN CHANGING RATIOS.	
	591934C91	▶ 4.78 RATIO ONLY	
	493202C91	▶ CASE, DIFF. W/BOLTS # GEAR SET, DIFF. SIDE AND PINION	
	493192C91	PRE-AUTOMATED AXLE SHAFT 1-3/4 IN. X 16 SPLINES	
	585703C91	AUTOMATED AXLE SHAFT 1-7/8 IN. X 36 SPLINES	
	RA202R	& BRG AND SEAL KIT	
	KIT 947	● BOLT KIT	

PARTS LISTED IN THIS CATALOG ARE NOT NECESSARILY MANUFACTURED BY THE ORIGINAL EQUIPMENT MANUFACTURER AND ANY REFERENCE TO THE TRADEMARKS OR PART NUMBERS OF OTHERS ARE FOR CROSS REFERENCE INFORMATIONAL PURPOSES ONLY. THE TRADEMARKS OF OTHERS REFERRED TO HEREIN ARE OWNED BY THEIR RESPECTIVE COMPANIES AND ARE NOT AFFILIATED IN ANY WAY WITH MIDWEST TRUCK & AUTO PARTS, INC.[®] MOTIVE GEAR[®] AND WORLD AMERICAN[®] ARE THE REGISTERED TRADEMARKS OF MIDWEST TRUCK & AUTO PARTS, INC.[®] USE OF THE [®] IN CONNECTION WITH A MARK OF MIDWEST TRUCK & AUTO PARTS, INC.[®] INDICATES THAT THE MARK IS REGISTERED IN AT LEAST THE UNITED STATES. NO REPRESENTATION IS MADE WITH RESPECT TO THE SOURCE OF MANUFACTURE OF ANY PARTICULAR PART. © 2005, MIDWEST TRUCK & AUTO PARTS, INC.[®] ALL RIGHTS RESERVED.

INTERNATIONAL[®]

RA39 - REAR AXLE



PARTS LISTED IN THIS CATALOG ARE NOT NECESSARILY MANUFACTURED BY THE ORIGINAL EQUIPMENT MANUFACTURER AND ANY REFERENCE TO THE TRADEMARKS OR PART NUMBERS OF OTHERS ARE FOR CROSS REFERENCE INFORMATIONAL PURPOSES ONLY. THE TRADEMARKS OF OTHERS REFERRED TO HEREIN ARE OWNED BY THEIR RESPECTIVE COMPANIES AND ARE NOT AFFILIATED IN ANY WAY WITH MIDWEST TRUCK & AUTO PARTS, INC.[®] MOTIVE GEAR[®] AND WORLD AMERICAN[®] ARE THE REGISTERED TRADEMARKS OF MIDWEST TRUCK & AUTO PARTS, INC.[®] USE OF THE [®] IN CONNECTION WITH A MARK OF MIDWEST TRUCK & AUTO PARTS, INC.[®] INDICATES THAT THE MARK IS REGISTERED IN AT LEAST THE UNITED STATES. NO REPRESENTATION IS MADE WITH RESPECT TO THE SOURCE OF MANUFACTURE OF ANY PARTICULAR PART. © 2005, MIDWEST TRUCK & AUTO PARTS, INC.[®] ALL RIGHTS RESERVED.

INTERNATIONAL®

RA39 - REAR AXLE

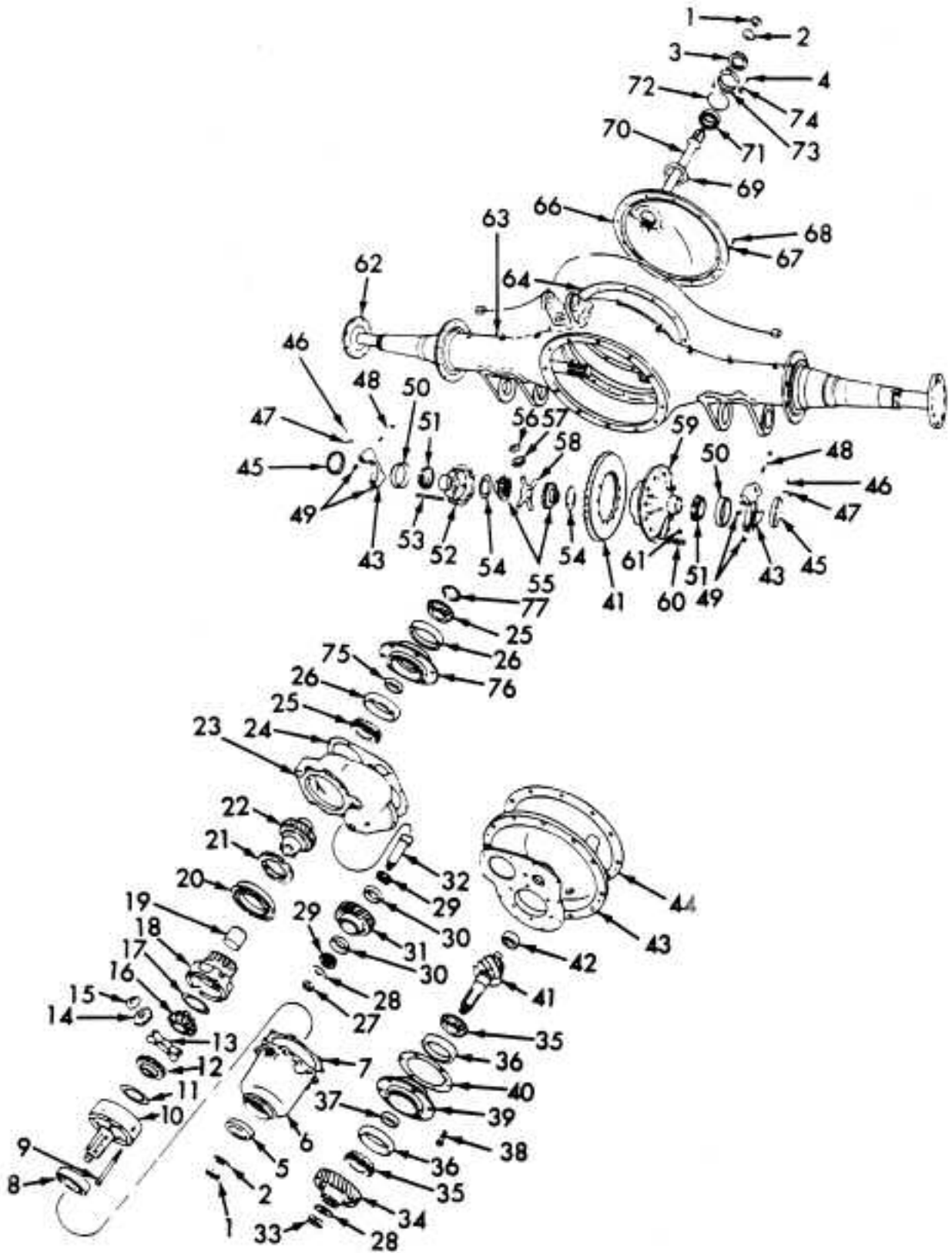
ITEM NO.	PART NO.	DESCRIPTION	QTY
		AXLE, REAR INTL/DANA® F170S 17000 LB SGL-RED	
1	52528HA	ADJUSTER, DIFF. BRG	2
2	115373R92	CARRIER, DIFF. W/CAPS BOLT, 1/2 - 13UNC X 1-3/8 IN.	1
	1691148C1	2-1/4 IN.	6
	1691149C1		8
3	MUB5206UM	& BEARING, PILOT PINION REAR	1
4		// GEAR SET, RING AND PINION W/O INVOLUTE SPLINES	
	586151C91	4.44-1 RATIO	1
	586152C91	4.78-1 RATIO	1
	586153C91	5.38-1 RATIO	1
	68906R94	5.57-1 RATIO	1
	68907R94	6.50-1 RATIO	1
	68908R94	7.17-1 RATIO	1
		W/INVOLUTE SPLINES	
	1658852C91	4.33-1 RATIO	1
	1669331C91	4.56-1 RATIO	1
	1654871C91	4.78-1 RATIO	1
	1654872C91	5.57-1 RATIO	1
	1654873C91	6.50-1 RATIO	1
	1654874C91	7.17-1 RATIO	1
5	55175C	& BEARING, CONE PINION	2
6	55437	& BEARING, CUP PINION	2
7		SPACER, PINION BRG	
	68914R2	.625 IN. THK	AR
	68916R2	.631 IN. THK	AR
	68918R2	.636 IN. THK	AR
	68920R2	.643 IN. THK	AR
	68923R2	.652 IN. THK	AR
8	1/8X 1-3 / 4P	PIN, COTTER 1/8 X 1-3/4	1
9	1691152C1	BOLT, PINION BRG CAGE	8
10		SHIM, PINION BRG CAGE	
	890091R1	.005 IN. THK	AR
	68929R2	.010 IN. THK	AR
	68930R2	.032 IN. THK	AR
11	454713C91	CAGE, PINION BRG W/CUPS	1
12	586045C1	PLUG, FILLER	1
13	586049C1	PLUG, MAGNETIC DRAIN	1
14	54557H	WASHER, COMPANION FLG NUT	1
15	710006	& SEAL, OIL PINION PRIOR TO 7/15/91 7/15/91 AND LATER	1 1
16	117804H	NUT, COMPANION FLG	1
17	3/16 X1 P	PIN, COTTER 3/16 X 1	2
18	ETN0090186	LOCK, DIFF. BRG ADJ	2
19	68924R1	BOLT, DIFF. BRG CAP	4
	25879R1	WASHER, DIFF. BRG CAP	AR
20		& GASKET, CARRIER TO HSG	1
21	3925	& BEARING, CUP DIFF. CASE	2
22	3984	& BEARING, CONE DIFF. CASE	2
23		▶ CASE, DIFF. FLG HALF	
	581550C1	4.33 THRU 5.38-1 RATIO	1
	241282R1	5.57 THRU 7.17-1 RATIO	1
24	86233H	# WASHER, SIDE GEAR THRUST	2
25	571352C1	# GEAR, SIDE DIFF.	2
26	241280R1	# SPIDER, DIFF.	1
27	241278R1	# WASHER, PINION GEAR THRUST	4

ITEM NO.	PART NO.	DESCRIPTION	QTY
28	241279R2	# GEAR, PINION DIFF.	4
29	414087C1	▶ NUT, DIFF. CASE	8
30	241281R1	▶ CASE, DIFF. PL HALF	1
31		▶ BOLT, DIFF. CASE	
	1691243C1	4.33 THRU 5.38-1 RATIO	8
	1691244C1	5.57 THRU 7.17-1 RATIO	8
32	113272R1	SCOOPE, OIL DIFF. CASE	1
	25485R1	BOLT, HEX-HD 1/4 - 20UNC X 1-1/4 IN. 1/4 R	1
		WASHER, LK 1/4 REGULAR	1
33	113271R1	● RIVET, RING GEAR TO DIFF. CASE	12
34		HOUSING AXLE	
		INTERNATIONAL® SUSP	
	589026C92	STL SPG	1
	1665468C1	AIR	1
35	455461C2	SHAFT, AXLE 1-7/8 IN X 16 SPLINES PRE-AUTOMATED AXLE SHAFT	2
	2502178C1	X 36 SPLINES AUTOMATED AXLE SHAFT	2
	500016C1	GASKET, AXLE SHAFT FLG	2
36		BREATHER, AXLE HSG	
	968936R91	1/8 IN.	1
	9196R91	3/8 IN.	1
37		DIFFERENTIAL, NO-SPIN™ UNIT 1-7/8 IN. X 36 SPLINES AUTOMATED AXLE SHAFT NOTE: ITEM 37 REPLACES ITEMS 24 THRU 28 WHEN NO-SPIN™ DIFF. IS USED.	1
		DIFFERENTIAL, STD 1-7/8 IN. X 16 SPLINES PRE-AUTOMATED AXLE SHAFT	
	113335R96	5.57-1 RATIO	
	113336R96	6.60-1 RATIO	
	113337R96	7.17-1 RATIO	
		X 36 SPLINES AUTOMATED AXLE SHAFT W/O INVOLUTE SPLINES	
	584308C91	4.44-1 RATIO	
	584309C91	4.78-1 RATIO	
	584310C91	5.38-1 RATIO	
	572172C91	5.57-1 RATIO	
	572173C91	6.50-1 RATIO	
	572174C91	7.17-1 RATIO	
		W/INVOLUTE SPLINES	
	1658822C92	4.33-1 RATIO	
	1668481C92	4.56-1 RATIO	
	1654863C92	4.78-1 RATIO	
	1654864C92	5.57-1 RATIO	
	1654865C92	6.50-1 RATIO	
	1654866C92	7.17-1 RATIO	
	592224C91	▶ CASE, DIFF W/BOLTS 4.33 THRU 5.38-1 RATIO	
	493203C91	5.57 THRU 7.17-1 RATIO	
	1651268C91	# GEAR SET, DIFF. SIDE AND PINION 1-7/8 IN. X 16 SPLINES PRE-AUTOMATED AXLE SHAFT	
	585703C91	X 36 SPLINES AUTOMATED AXLE SHAFT	
	RA191RR	& BRG AND SEAL KIT	
	1696994C91	● BOLT KIT	
		// SEE DIFF. CASE LISTING WHEN CHANGING RATIOS	

PARTS LISTED IN THIS CATALOG ARE NOT NECESSARILY MANUFACTURED BY THE ORIGINAL EQUIPMENT MANUFACTURER AND ANY REFERENCE TO THE TRADEMARKS OR PART NUMBERS OF OTHERS ARE FOR CROSS REFERENCE INFORMATIONAL PURPOSES ONLY. THE TRADEMARKS OF OTHERS REFERRED TO HEREIN ARE OWNED BY THEIR RESPECTIVE COMPANIES AND ARE NOT AFFILIATED IN ANY WAY WITH MIDWEST TRUCK & AUTO PARTS, INC.® MOTIVE GEAR® AND WORLD AMERICAN® ARE THE REGISTERED TRADEMARKS OF MIDWEST TRUCK & AUTO PARTS, INC.® USE OF THE ® IN CONNECTION WITH A MARK OF MIDWEST TRUCK & AUTO PARTS, INC.® INDICATES THAT THE MARK IS REGISTERED IN AT LEAST THE UNITED STATES. NO REPRESENTATION IS MADE WITH RESPECT TO THE SOURCE OF MANUFACTURE OF ANY PARTICULAR PART. © 2005, MIDWEST TRUCK & AUTO PARTS, INC.® ALL RIGHTS RESERVED.

INTERNATIONAL[®]

RA351 FRONT - REAR AXLE



PARTS LISTED IN THIS CATALOG ARE NOT NECESSARILY MANUFACTURED BY THE ORIGINAL EQUIPMENT MANUFACTURER AND ANY REFERENCE TO THE TRADEMARKS OR PART NUMBERS OF OTHERS ARE FOR CROSS REFERENCE INFORMATIONAL PURPOSES ONLY. THE TRADEMARKS OF OTHERS REFERRED TO HEREIN ARE OWNED BY THEIR RESPECTIVE COMPANIES AND ARE NOT AFFILIATED IN ANY WAY WITH MIDWEST TRUCK & AUTO PARTS, INC.[®] MOTIVE GEAR[®] AND WORLD AMERICAN[®] ARE THE REGISTERED TRADEMARKS OF MIDWEST TRUCK & AUTO PARTS, INC.[®] USE OF THE ® IN CONNECTION WITH A MARK OF MIDWEST TRUCK & AUTO PARTS, INC.[®] INDICATES THAT THE MARK IS REGISTERED IN AT LEAST THE UNITED STATES. NO REPRESENTATION IS MADE WITH RESPECT TO THE SOURCE OF MANUFACTURE OF ANY PARTICULAR PART. © 2005, MIDWEST TRUCK & AUTO PARTS, INC.[®] ALL RIGHTS RESERVED.

INTERNATIONAL[®]

RA351 FRONT - REAR AXLE

ITEM NO.	PART NO.	DESCRIPTION	QTY
AXLE, FWD REAR INTL/DANA [®] G340S 34000 LB. SGL-RED			
1	26244R1	@ NUT, COMPANION FLG	2
2	214757R2	@ WASHER, COMPANION FLG NUT	2
3	415013N	/ SEAL, OUTPUT SHAFT OIL	1
4	26310R1	BOLT, RET TO COVER	4
5	415147N	/ SEAL, INTER DIFF. HSG OIL	1
6	474015C1	@ HOUSING INTER DIFF.	1
	583164C1	@ SCREW, 12 PT HSG TO CASE	8
	586045C1	@ PLUG, PIPE SQ SOCKET 3/8	2
7	474517C2	GASKET, ELIMINATOR 50CC TUBE	1
8	310B	/@ BEARING, INTER DIFF. FRT FOR SERVICE ORDER FP6310VSP69 @ SHIM, INPUT BRG	1
	227331R1	.005 IN. THK	AR
	227332R1	.010 IN. THK	AR
9	227327R1	@ BOLT, INTER DIFF. SPIDER FWD HALF	8
10		@ CASE, INTER DIFF. SPIDER FWD HALF	
11	612686R1	@ WASHER, FRT SIDE GEAR THRUST	1
	463346C1	BEARING, FRT SIDE GEAR THRUST	1
12	417854C1	▲ @ GEAR INTER DIFF. FRT SIDE	1
13	436830C1	▲ @ SPIDER, INTER DIFF.	1
14	436831C1	▲ @ GEAR, INTER DIFF. PINION	4
15	88015H	▲ @ WASHER, PINION THRUST	4
16	441143C1	▲ @ GEAR, INTER DIFF. REAR SIDE	1
17	227279R1	▲ @ WASHER, REAR SIDE GEAR THRUST	1
18		@ CASE, W/BUSH. INTER DIFF. REAR HALF	
19	243496R1	@ BUSHING, INTER DIFF. CASE	1
20	122SL	/@ BEARING, INPUT SHAFT REAR	1
21	227283R3	RING, DIFF. CLUTCH	1
22	487526C1	GEAR, INPUT DR	1
23	474018C1	CASE, INTER DIFF. CARRIER	1
	583164C1	SCREW, FLG 12 PT 1/2 X 1-1/4 IN.	11
	20126R1	PIN, SHIFT FORK	1
	17158R1	PIN, SLT	1
	586049C1	PLUG, PIPE SQ-SOCKET 3/4 IN. DRAIN	1
24		GASKET, SILICONE 3 OZ. TUBE	1
25	L610549	/ BEARING, CONE INPUT GEAR REAR	2
26	L610510	/ BEARING, CUP INPUT GEAR REAR	2
27	19392R1	NUT, IDLER SHFT STOP 1-1/8NF	1
28		WASHER	
	227271R1	IDLER SHFT	1
	214757R2	DR PINION THRUST	1
29	25877	/ BEARING, CONE IDLER GEAR	2
30	25821	/ BEARING, CUP IDLER GEAR	2

ITEM NO.	PART NO.	DESCRIPTION	QTY
31	487524C91	GEAR, W/CUP, IDLER SPACER, IDLER GEAR BRG	1
	227420R2	.395 IN. THK	AR
	329579C2	.975 IN. THK	AR
	329580C2	.980 IN. THK	AR
	227415R2	.985 IN. THK	AR
	329581C2	.990 IN. THK	AR
	227416R2	.995 IN. THK	AR
	227417R2	1.000 IN. THK	AR
	227418R2	1.005 IN. THK	AR
	227419R2	1.010 IN. THK	AR
	227414R2	1.015 IN. THK	AR
32	227351R1	SHAFT, IDLER GEAR	1
33	83799	NUT, DR PINION	1
	19415R1	PIN, ROLL	1
34	487536C1	GEAR, PINION SHFT DR	1
35	72225C	/ BEARING, CONE PINION	2
36	72487	/ BEARING, CUP PINION	2
37		SPACER, PINION BRG	
	360453C1	.718 IN. THK	AR
	360457C1	.722 IN. THK	AR
	360461C1	.726 IN. THK	AR
	360465C1	.730 IN. THK	AR
	360469C1	.734 IN. THK	AR
	393975C1	.738 IN. THK	AR
	393979C1	.742 IN. THK	AR
38	1691152C1	BOLT, PINION BRG CAGE	6
39	359358C11	CAGE, W/CUPS BRG	1
40		SHIM, PINION BRG CAGE	
	255751C1	.003 IN. THK	AR
	255751C1	.005 IN. THK	AR
	227354R1	.010 IN. THK	AR
	227354R1	.030 IN. THK	AR
41		// GEAR SET, RING AND PINION	
	597237C91	3.73-1 RATIO	1
	597238C91	3.91-1 RATIO	1
	597239C91	4.10-1 RATIO	1
	597240C91	4.44-1 RATIO	1
	597241C91	4.78-1 RATIO	1
	597242C91	5.37-1 RATIO	1
	597243C91	6.14-1 RATIO	1
	597244C91	6.57-1 RATIO	1
	597245C91	7.17-1 RATIO	1
	597246C91	8.17-1 RATIO	1
42	MU1307TM	/ BEARING, PINION PILOT ROLLER	1
43	474020C92	CARRIER, W/CAPS DIFF.	1
	1691150C1	BOLT, CARR TO HSG	12
	181701	BOLT, HEX-HD 1/2NF X 1-5/8 IN.	2
	124934	NUT, HEX JAM 1/2NF	2
	5/8 R	WASHER, FL 5/8 IN.	12
44	161026R3	GASKET, ELIMINATOR 50CC TUBE	1
45	69208R1	ADJUSTER, DIFF. BRG	2
46	3/16 X 1 P	PIN, COTTER 3/16 X 1 IN.	2
47	157491R2	LOCK, DIFF. BRG ADJ	2
48	24895R1	BOLT, DIFF. BRG CAP	4
	25712R1	WASHER, DIFF. BRG CAP BOLT	4
49		NOT USED	
50	47820	/ BEARING, CUP DIFF.	2
51	47890	/ BEARING, CONE DIFF.	2

PARTS LISTED IN THIS CATALOG ARE NOT NECESSARILY MANUFACTURED BY THE ORIGINAL EQUIPMENT MANUFACTURER AND ANY REFERENCE TO THE TRADEMARKS OR PART NUMBERS OF OTHERS ARE FOR CROSS REFERENCE INFORMATIONAL PURPOSES ONLY. THE TRADEMARKS OF OTHERS REFERRED TO HEREIN ARE OWNED BY THEIR RESPECTIVE COMPANIES AND ARE NOT AFFILIATED IN ANY WAY WITH MIDWEST TRUCK & AUTO PARTS, INC.[®] MOTIVE GEAR[®] AND WORLD AMERICAN[®] ARE THE REGISTERED TRADEMARKS OF MIDWEST TRUCK & AUTO PARTS, INC.[®] USE OF THE [®] IN CONNECTION WITH A MARK OF MIDWEST TRUCK & AUTO PARTS, INC.[®] INDICATES THAT THE MARK IS REGISTERED IN AT LEAST THE UNITED STATES. NO REPRESENTATION IS MADE WITH RESPECT TO THE SOURCE OF MANUFACTURE OF ANY PARTICULAR PART. © 2005, MIDWEST TRUCK & AUTO PARTS, INC.[®] ALL RIGHTS RESERVED.

INTERNATIONAL®

RA351 FRONT - REAR AXLE

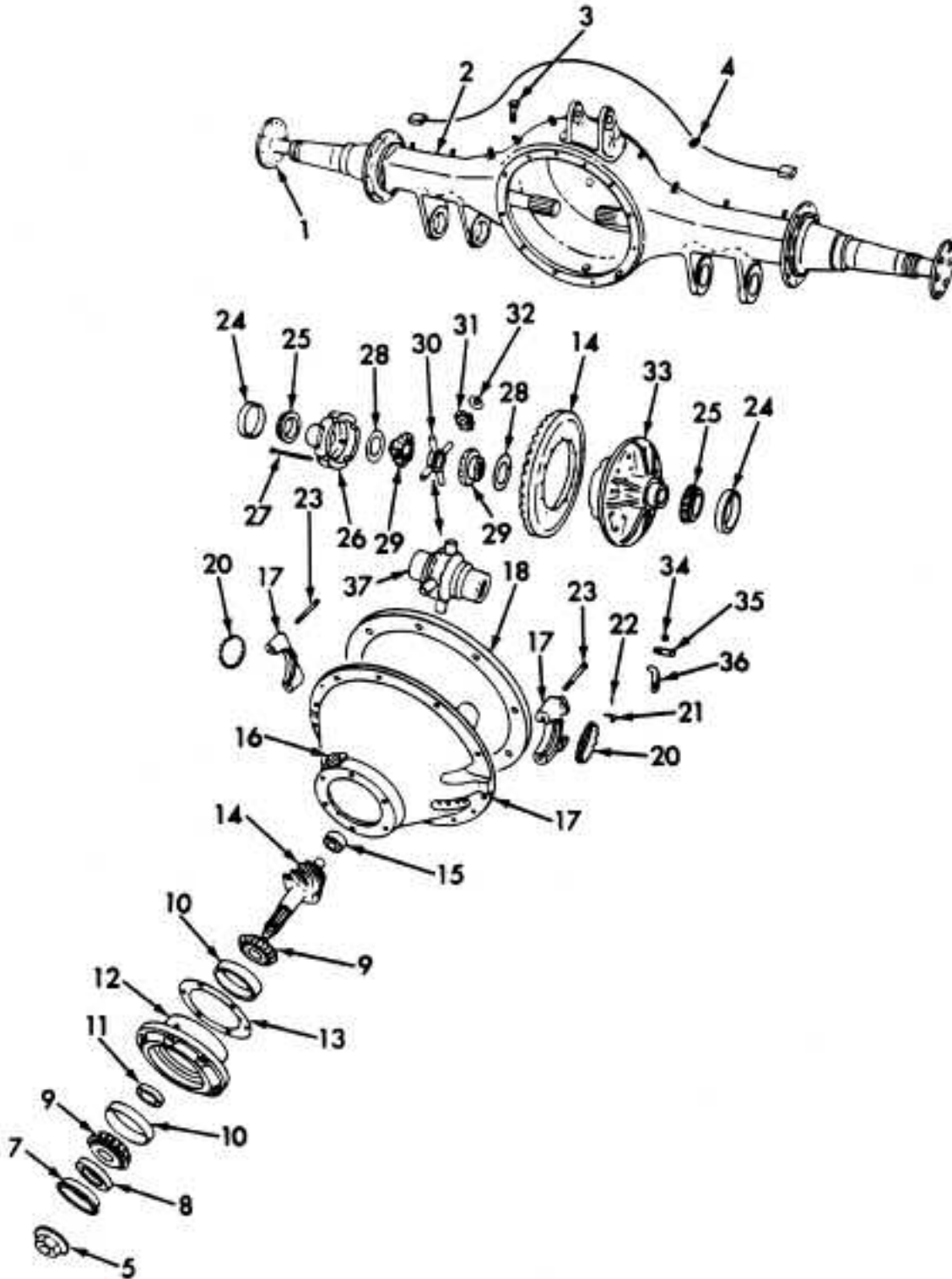
ITEM NO.	PART NO.	DESCRIPTION	QTY
52	864358R2	# CASE, DIFF. PL HALF	1
53		# BOLT, DIFF. CASE	
	1691256C1	3.73 THRU 4.44-1 RATIO	8
	1691255C1	4.78 THRU 8.17-1 RATIO	8
54	157494R1	&D WASHER, DIFF. SIDE GEAR THRUST	2
55	161027R2	&D GEAR, DIFF. SIDE - 16 SPL.	2
	571357C1	39 SPL.	
56	864360R1	&D WASHER, DIFF. PINION THRUST	4
57	864357R2	&D GEAR, DIFF. PINION	4
58	864356R2	&D SPIDER, DIFF.	1
59		# CASE, DIFF. FLG HALF	1
	505756C1	3.73 THRU 4.44-1 RATIO	1
	505757C1	4.78 THRU 8.17-1 RATIO	1
60	157490R1	⊙ RIVET, RING GEAR TO DIFF. CASE	12
61	27293R1	# NUT, DIFF. CASE BOLT	8
62	109389R1	SHAFT, AXLE 2 IN.	1
		X 16 SPLINES	
		PRE-AUTOMATED AXLE SHAFT	
	2502179C1	39 SPLINES	1
		AUTOMATED AXLE SHAFT	
		STUD, WHEEL FLG	16
	144423H	NUT, HEX LK 5/8NF	16
	895478R2	GASKET, AXLE SHAFT FLG	2
63		HOUSING AXLE	
	595573C1	HEND® SUSP	1
		INTL SUSP	
	595574C1	4-SPG AND REYCO®	1
	595575C1	AIR	1
		PLUG	
	586049C1	MAGNETIC DRAIN	1
	586048C1	TEMP SENDER HOLE	1
		BREATHER, AXLE HSG VENT	
	968936R91	1/8 IN.	1
	91916R91	3/8 IN.	1
64	474517C2	GASKET, ELIMINATOR 50CC TUBE	1
66		COVER, AXLE HSG REAR	1
		NOT SERVICED	
67		NOT USED	
68		NOT USED	
69	474517C2	GASKET, ELIMINATOR 50CC TUBE	1
70	227334R2	SHAFT, OUTPUT	1
71	210	/ BEARING, OUTPUT SHAFT	1
72	660433R1	/ RING, BRG RET SNAP	1
73	332678C2	RETAINER, OUTPUT SHFT BRG	1
74	25709R1	WASHER, FL 3/8 IN.	4
75		SPACER, BRG	
	344639C1	.185 IN. THK	AR
	344643C1	.189 IN. THK	AR
	344649C1	.195 IN. THK	AR
	344655C1	.201 IN. THK	AR
	344661C1	.207 IN. THK	AR
	366347C1	.213 IN. THK	AR
	366350C1	.219 IN. THK	AR
76	344618C21	RETAINER, W/CUPS REAR	1
		INPUT GEAR BRG	
	24840R1	BOLT, BRG RET	5
77	388355C1	NUT, INUT GEAR BRG RET	1

ITEM NO.	PART NO.	DESCRIPTION	QTY
77		DIFFERENTIAL, STD	
		2 IN. X 16 SPLINES	
		PRE-AUTOMATED AXLE SHAFT	
	468082C97	3.73-1 RATIO	
	493852C92	3.91-1 RATIO	
	468083C97	4.10-1 RATIO	
	468084C97	4.44-1 RATIO	
	468085C97	4.78-1 RATIO	
	468086C97	5.37-1 RATIO	
	468087C97	6.14-1 RATIO	
	468088C97	6.57-1 RATIO	
	468089C97	7.17-1 RATIO	
	468090C97	8.17-1 RATIO	
		2 IN. X 39 SPLINES	
		AUTOMATED AXLE SHAFT	
	572236C91	3.73-1 RATIO	
	572237C91	3.91-1 RATIO	
	572238C91	4.10-1 RATIO	
	572239C91	4.44-1 RATIO	
	572240C91	4.78-1 RATIO	
	572241C91	5.37-1 RATIO	
	572242C91	6.14-1 RATIO	
	572243C91	6.57-1 RATIO	
	572244C91	7.17-1 RATIO	
	572245C91	8.17-1 RATIO	
		NO-SPIN™	
		NO-SPIN™ DIFF. REPLACES	
		ITEMS 54 THRU 58	
		// SEE DIFF. CASE LISTING	
		WHEN CHANGING RATIOS	
		# CASE, DIFF. W/BOLTS	
		3.73 THRU 4.44-1 RATIO	
	493204C91	4.78 THRU 8.17-1 RATIO	
	493205C91		
		& GEAR SET, DIFF. SIDE AND PINION	
	493196C91	2 IN. X 16 SPLINES	
		PRE-AUTOMATED AXLE SHAFT	
	585705C91	2 IN. X 39 SPLINES	
		AUTOMATED AXLE SHAFT	
	493199C91	▲ GEAR SET, INTER AXLE DIFF.	
	493197C91	⊙ KIT, INTER AXLE DIFF. W/COVER	
	RA192FBR	/ BRG AND SEAL KIT	
	1651261C91	▶ KIT, INTER AXLE DIFF.	
	1696994C91	⊙ BOLT KIT	

PARTS LISTED IN THIS CATALOG ARE NOT NECESSARILY MANUFACTURED BY THE ORIGINAL EQUIPMENT MANUFACTURER AND ANY REFERENCE TO THE TRADEMARKS OR PART NUMBERS OF OTHERS ARE FOR CROSS REFERENCE INFORMATIONAL PURPOSES ONLY. THE TRADEMARKS OF OTHERS REFERRED TO HEREIN ARE OWNED BY THEIR RESPECTIVE COMPANIES AND ARE NOT AFFILIATED IN ANY WAY WITH MIDWEST TRUCK & AUTO PARTS, INC.® MOTIVE GEAR® AND WORLD AMERICAN® ARE THE REGISTERED TRADEMARKS OF MIDWEST TRUCK & AUTO PARTS, INC.® USE OF THE ® IN CONNECTION WITH A MARK OF MIDWEST TRUCK & AUTO PARTS, INC.® INDICATES THAT THE MARK IS REGISTERED IN AT LEAST THE UNITED STATES. NO REPRESENTATION IS MADE WITH RESPECT TO THE SOURCE OF MANUFACTURE OF ANY PARTICULAR PART. © 2005, MIDWEST TRUCK & AUTO PARTS, INC.® ALL RIGHTS RESERVED.

INTERNATIONAL[®]

RA351 REAR - REAR AXLE



PARTS LISTED IN THIS CATALOG ARE NOT NECESSARILY MANUFACTURED BY THE ORIGINAL EQUIPMENT MANUFACTURER AND ANY REFERENCE TO THE TRADEMARKS OR PART NUMBERS OF OTHERS ARE FOR CROSS REFERENCE INFORMATIONAL PURPOSES ONLY. THE TRADEMARKS OF OTHERS REFERRED TO HEREIN ARE OWNED BY THEIR RESPECTIVE COMPANIES AND ARE NOT AFFILIATED IN ANY WAY WITH MIDWEST TRUCK & AUTO PARTS, INC.[®] MOTIVE GEAR[®] AND WORLD AMERICAN[®] ARE THE REGISTERED TRADEMARKS OF MIDWEST TRUCK & AUTO PARTS, INC.[®] USE OF THE [®] IN CONNECTION WITH A MARK OF MIDWEST TRUCK & AUTO PARTS, INC.[®] INDICATES THAT THE MARK IS REGISTERED IN AT LEAST THE UNITED STATES. NO REPRESENTATION IS MADE WITH RESPECT TO THE SOURCE OF MANUFACTURE OF ANY PARTICULAR PART. © 2005, MIDWEST TRUCK & AUTO PARTS, INC.[®] ALL RIGHTS RESERVED.

INTERNATIONAL®

RA351 REAR - REAR AXLE

ITEM NO.	PART NO.	DESCRIPTION	QTY
		AXLE, REAR REAR	
		INTL/DANA® G340S, J340S, J380S 34000/38000 LB. SGL-RED	
1	109389R1	SHAFT, AXLE 2 IN. X 16 SPLINES PRE-AUTOMATED AXLE SHFT 39 SPLINES AUTOMATED AXLE SHAFT	2
	2502179C1		2
	1649262C1		2
	895478R2	STUD, WHEEL FLG	16
	144423H	GASKET, AXLE SHFT FLG TO HUB NUT, HEX LK 5/8NF	2
2		HOUSING, AXLE SPICER®	
	595577C1	HEND® SUSP INTL® SUSP	1
	595578C1	4-SPG AND REYCO®	1
	595579C1	AIR	1
	595601C1	HEND® SUSP INTL SUSP	1
	1697109C1	4-SPG AND REYCO®	1
	1686123C1	AIR	1
3	91916R91	BREATHER, AXLE HSG VENT	1
4	586049C1	PLUG, MAGNETIC DRAIN	1
5	1696474C1	NUT, COMPANION FLG HEX LK 1-3/4NF	1
	390362R1	WASHER, PINION SHAFT	1
7	710008	SEAL, PINION OIL	1
8		NOT USED	
9	72225C	BEARING, CONE PINION	2
10	72487	BEARING, CUP PINION	2
11		SPACER, PINION BRG	
	360453C1	.718 IN. THK	AR
	360457C1	.722 IN. THK	AR
	360461C1	.726 IN. THK	AR
	360465C1	.730 IN. THK	AR
	360469C1	.734 IN. THK	AR
	393975C1	.738 IN. THK	AR
	393979C1	.742 IN. THK	AR
12	454719C91	CAGE, W/CUPS, PINION BRG	1
	1691152C1	BOLT, CAGE TO CARR.	6
13		SHIM, PINION BRG CAGE	
	896612R1	.005 IN. THK	AR
	157566R1	.010 IN. THK	AR
	157567R1	.030 IN. THK	AR
14		// GEAR SET, RING AND PINION	
	597237C91	3.73-1 RATIO	1
	597238C91	3.91-1 RATIO	1
	597239C91	4.10-1 RATIO	1
	597240C91	4.44-1 RATIO	1
	597241C91	4.78-1 RATIO	1
	597242C91	5.37-1 RATIO	1
	597243C91	6.14-1 RATIO	1
	597244C91	6.57-1 RATIO	1
	597245C91	7.17-1 RATIO	1
	597246C91	8.17-1 RATIO	1
15	MU1307TM	BEARING, PINION PILOT ROLLER	1
16	586045C1	PLUG, PIPE SQ-HD 3/4	
17	161019R93	CARRIER, W/CAPS, DIFF.	1
	1691150C1	BOLT, CARR TO HSG	
	5/8 R	WASHER, FL 5/8	12
18		GASKET, SILICONE 3 OZ. TUBE	1
20	69208R1	ADJUSTER, DIFF. BRG	2
21	157491R2	LOCK, DIFF. BRG ADJ	2
22	3/16 X 1 P	PIN, COTTER 3/16 X 1	2
23	24895R1	BOLT, DIFF. BRG CAP	4

ITEM NO.	PART NO.	DESCRIPTION	QTY
	25712R1	WASHER, DIFF. BRG CAP BOLT	4
24	47820	BEARING, DIFF. CUP	2
25	47890	BEARING, DIFF. CONE	2
26	864358R2	CASE, DIFF. PL HALF	1
27		BOLT, DIFF. CASE	
	1691256C1	3.73 THRU 4.44-1 RATIO	8
	1691255C1	4.78 THRU 8.17-1 RATIO	8
28	157494R1	WASHER, SIDE GEAR THRUST	2
29	161027R2	GEAR, DIFF. SIDE - 16 SPL.	2
	571357C1	39 SPL.	
30	864356R2	SPIDER, DIFF.	1
31	864357R2	GEAR, DIFF. PINION	4
32	864360R1	WASHER, PINION THRUST	4
33		CASE, DIFF. FLG HALF	1
	505756C1	3.73 THRU 4.44-1 RATIOS	1
	505757C1	4.78 THRU 8.17-1 RATIOS	1
34	27293R1	NUT, DIFF. CASE BOLT, HEX 9/16NF	8
35	157490R1	RIVET, RING GEAR TO DIFF. CASE	12
36		NOT USED	
37		DIFFERENTIAL, NO-SPIN™ UNIT	1
		2 IN. X 39 SPLINES COMMON WHEEL END	
		NOTE: ITEM 37 REPLACES ITEMS 28 THRU 32 WHEN NO-SPIN™ DIFF. IS USED.	
		DIFFERENTIAL, STD 2 IN. X 16 SPLINES PRE-AUTOMATED AXLE SHFT	
	482866C91	3.73-1 RATIO	
	493850C91	3.91-1 RATIO	
	482867C91	4.10-1 RATIO	
	482868C91	4.44-1 RATIO	
	482869C91	4.78-1 RATIO	
	482870C91	5.37-1 RATIO	
	482871C91	6.14-1 RATIO	
	482872C91	6.57-1 RATIO	
	482873C91	7.17-1 RATIO	
	482874C91	8.17-1 RATIO	
		DIFFERENTIAL, STD 2 IN. X 39 SPLINES AUTOMATED AXLE SHFT	
	1651342C91	3.54-1 RATIO	
	571926C91	3.73-1 RATIO	
	571927C91	9.91-1 RATIO	
	571928C91	4.10-1 RATIO	
	571929C91	4.44-1 RATIO	
	571930C91	4.78-1 RATIO	
	571931C91	5.37-1 RATIO	
	571932C91	6.14-1 RATIO	
	571933C91	6.57-1 RATIO	
	571934C91	7.17-1 RATIO	
	571935C91	8.17-1 RATIO	
		// SEE DIFF. CASE LISTING WHEN CHANGING RATIOS	
	493204C91	# CASE, DIFF. W/BOLTS	
	493205C91	# 3.73 THRU 4.44-1 RATIO	
	493196C91	# 4.78 THRU 8.17-1 RATIO & GEAR SET, DIFF. SIDE AND PINION 2 IN. X	
	585705C91	& 16 SPLINES PRE-AUTOMATED AXLE SHFT & 39 SPLINES AUTOMATED AXLE SHFT	
	RA192RBR	BRG AND SEAL KIT	

PARTS LISTED IN THIS CATALOG ARE NOT NECESSARILY MANUFACTURED BY THE ORIGINAL EQUIPMENT MANUFACTURER AND ANY REFERENCE TO THE TRADEMARKS OR PART NUMBERS OF OTHERS ARE FOR CROSS REFERENCE INFORMATIONAL PURPOSES ONLY. THE TRADEMARKS OF OTHERS REFERRED TO HEREIN ARE OWNED BY THEIR RESPECTIVE COMPANIES AND ARE NOT AFFILIATED IN ANY WAY WITH MIDWEST TRUCK & AUTO PARTS, INC.® MOTIVE GEAR® AND WORLD AMERICAN® ARE THE REGISTERED TRADEMARKS OF MIDWEST TRUCK & AUTO PARTS, INC.® USE OF THE ® IN CONNECTION WITH A MARK OF MIDWEST TRUCK & AUTO PARTS, INC.® INDICATES THAT THE MARK IS REGISTERED IN AT LEAST THE UNITED STATES. NO REPRESENTATION IS MADE WITH RESPECT TO THE SOURCE OF MANUFACTURE OF ANY PARTICULAR PART. © 2005, MIDWEST TRUCK & AUTO PARTS, INC.® ALL RIGHTS RESERVED.

INTERNATIONAL[®]

RA355 FRONT - REAR AXLE



RA355 FRONT

PARTS LISTED IN THIS CATALOG ARE NOT NECESSARILY MANUFACTURED BY THE ORIGINAL EQUIPMENT MANUFACTURER AND ANY REFERENCE TO THE TRADEMARKS OR PART NUMBERS OF OTHERS ARE FOR CROSS REFERENCE INFORMATIONAL PURPOSES ONLY. THE TRADEMARKS OF OTHERS REFERRED TO HEREIN ARE OWNED BY THEIR RESPECTIVE COMPANIES AND ARE NOT AFFILIATED IN ANY WAY WITH MIDWEST TRUCK & AUTO PARTS, INC.[®] MOTIVE GEAR[®] AND WORLD AMERICAN[®] ARE THE REGISTERED TRADEMARKS OF MIDWEST TRUCK & AUTO PARTS, INC.[®] USE OF THE [®] IN CONNECTION WITH A MARK OF MIDWEST TRUCK & AUTO PARTS, INC.[®] INDICATES THAT THE MARK IS REGISTERED IN AT LEAST THE UNITED STATES. NO REPRESENTATION IS MADE WITH RESPECT TO THE SOURCE OF MANUFACTURE OF ANY PARTICULAR PART. © 2005, MIDWEST TRUCK & AUTO PARTS, INC.[®] ALL RIGHTS RESERVED.

INTERNATIONAL[®]

RA355 FRONT - REAR AXLE

ITEM NO.	PART NO.	DESCRIPTION	QTY
		AXLE, FWD REAR INTL/DANA [®] G380S 38000 LB. SGL-RED	
1	26244R1	@ NUT, COMPANION FLG	2
2	214757R2	@ WASHER, COMPANION FLG	2
3	415013N	▲ SEAL, OUTPUT SHAFT OIL	1
4	26311R1	BOLT, 3/8-16UNC X 1 IN.	4
5	415147N	▲ @SEAL, INTER DIFF. HSG OIL	1
6	474015C1	@ HOUSING, INTER DIFF.	1
	583164C1	@ SCREW, 12 PT HD 1/2-13UNC X 1-1/4 IN.	8
	417834C1	@ 3/8 HOLES	
	586045C1	@ PLUG, PIPE SQ-SOCKET 3/4	2
7		▶ GASKET, SILICONE 3 OZ. TUBE	1
8	310B	▶ @ BEARING, INTER DIFF. FRT FOR SERVICE, ORDER FP6310VSP69	1
		@ SHIM, INPUT BRG .005 IN. THK	AR
	227331R1	.010 IN. THK	AR
9	227327R1	# @ BOLT, INTER DIFF. SPIDER CASE	8
10		# @ CASE, INTER DIFF. FRT HALF	1
	463415C91	▶	
	438420C2	#	
11	612686R1	▶ # @ WASHER, SIDE GEAR FRT THRUST	1
	W2840	▶ # @ BEARING, FRT SIDE GEAR THRUST	1
12	417854C1	▶ # @ GEAR, INTER DIFF. FRT SIDE	1
13	436830C1	▶ # @ SPIDER, INTER DIFF.	1
14	436831C1	▶ # @ GEAR, INTER DIFF. PINION	1
15	88015H	▶ # @ WASHER, PINION GEAR THRUST	4
16	441143C1	▶ # @ GEAR, INTER DIFF. REAR SIDE	1
17	227279R1	▶ # @ WASHER, REAR SIDE GEAR THRUST	1
18		# @ CASE, W/BUSH., INTER DIFF. REAR HALF	1
	463404C91	▶	
	438422C1	#	
19	243496R1	@ BUSHING, INTER DIFF. CASE	1
20	122SL	▲ @ BEARING, INTER DIFF. REAR	1
21	227283R3	RING, DIFF. CLUTCH	1
22	487526C1	GEAR, INPUT DR	1
23	474018C1	CASE, ADAP INTER DIFF.	1
	583164C1	SCREW, 12 PT HD 1/2-13 UNC X 1-1/4 IN.	11
	17158R1	PIN, SLT	1
	20126R1	PIN, SHIFT FORK	1
	586045C1	PLUG, PIPE SQ- SOCKEET 3/4 DRAIN	1
24		▲ GASKET, SILICONE 3 OZ. TUBE	1
25	L610549	▲ BEARING, INPUT GEAR REAR CONE	2
26	L610510	▲ BEARING, INPUT GEAR REAR CUP	2
27	19392R1	NUT, IDLER SHAFT STOP	1
28		WASHER	
	227271R1	IDLER SHAFT	1
	214757R2	DR PINION THRUST	1
29	25877	▲ BEARING, IDLER GEAR CONE	2

ITEM NO.	PART NO.	DESCRIPTION	QTY
30	25821	▲ BEARING, IDLER GEAR CUP	2
31	487524C91	GEAR, W/CUPS, IDLER SPACER, IDLER GEAR BRG	1
	227420R2	.395 IN. THK	AR
	329579C2	.975 IN. THK	AR
	329580C2	.980 IN. THK	AR
	227415R2	.985 IN. THK	AR
	329581C2	.990 IN. THK	AR
	227416R2	.995 IN. THK	AR
	227417R2	1.000 IN. THK	AR
	227418R2	1.005 IN. THK	AR
	227419R2	1.010 IN. THK	AR
	227414R2	1.015 IN. THK	AR
32	227351R1	SHAFT, IDLER GEAR	1
33	83799	NUT, PINION SHAFT	1
	19415R1	PIN, ROLL	1
34	487536C1	GEAR, HELICAL DR	1
35	72225C	▲ BEARING, PINION CONE	2
36	72487	▲ BEARING, PINION CUP	2
37		SPACER, PINION BRG	
	360453C1	.718 IN. THK	AR
	360457C1	.722 IN. THK	AR
	360461C1	.726 IN. THK	AR
	360465C1	.730 IN. THK	AR
	360469C1	.734 IN. THK	AR
	393975C1	.738 IN. THK	AR
	393979C1	.742 IN. THK	AR
38	83968R1	BOLT, PINION BRG CAGE	6
39	359358C11	CAGE, W/CUPS, PINION BRG	1
40		SHIM, PINION BRG CAGE	
	896612R1	.005 IN. THK	AR
	157566R1	.010 IN. THK	AR
	157567R1	.030 IN. THK	AR
41		// GEAR SET, RING AND PINION INCLUDING 421913C1 CASTELLATED NUT AND 19415R1 SLT PINION	
	597237C91	3.73-1 RATIO	1
	597238C91	3.91-1 RATIO	1
	597239C91	4.10-1 RATIO	1
	597240C91	4.44-1 RATIO	1
	597241C91	4.78-1 RATIO	1
	597242C91	5.38-1 RATIO	1
	597243C91	6.14-1 RATIO	1
	597244C91	6.57-1 RATIO	1
	597245C91	7.17-1 RATIO	1
	597246C91	8.17-1 RATIO	1
42	MU1307TM	▲ BEARING, PINION PILOT	1
43	474020C92	CARRIER, W/CAPS, DIFF.	1
	1691150C1	BOLT, 5/8-11UNC X 1-3/4 IN.	12
	5/8 R	WASHER, FL 3/8	12
44	446839C1	▲ GASKET, SILICONE 4.7 OZ. TUBE	1
45	69208R1	ADJUSTER, DIFF.	2
46	3/16 X 1 P	PIN, COTTER 3/16 X 1 IN.	2
47	157491R2	LOCK, DIFF. BRG ADJ	2
48	24895R1	BOLT, DIFF. BRG CAP	4
	25712R1	WASHER, DIFF. BRG CAP	4
49		NOT USED	
50	47820	▲ BEARING, DIFF. CUP	2
51	47890	@ BEARING, DIFF. CONE	2
52	864358R2	@ @ CASE, DIFF. PL HALF	1
53		@ @ BOLT, DIFF. CASE	
	1691256C1	3.73, 3.91, 4.10, 4.44-1 RATIO	8
	1691255C1	4.78, 5.38, 6.14, 6.57, 7.17, 8.17-1 RATIO	

PARTS LISTED IN THIS CATALOG ARE NOT NECESSARILY MANUFACTURED BY THE ORIGINAL EQUIPMENT MANUFACTURER AND ANY REFERENCE TO THE TRADEMARKS OR PART NUMBERS OF OTHERS ARE FOR CROSS REFERENCE INFORMATIONAL PURPOSES ONLY. THE TRADEMARKS OF OTHERS REFERRED TO HEREIN ARE OWNED BY THEIR RESPECTIVE COMPANIES AND ARE NOT AFFILIATED IN ANY WAY WITH MIDWEST TRUCK & AUTO PARTS, INC.[®] MOTIVE GEAR[®] AND WORLD AMERICAN[®] ARE THE REGISTERED TRADEMARKS OF MIDWEST TRUCK & AUTO PARTS, INC.[®] USE OF THE ® IN CONNECTION WITH A MARK OF MIDWEST TRUCK & AUTO PARTS, INC.[®] INDICATES THAT THE MARK IS REGISTERED IN AT LEAST THE UNITED STATES. NO REPRESENTATION IS MADE WITH RESPECT TO THE SOURCE OF MANUFACTURE OF ANY PARTICULAR PART. © 2005, MIDWEST TRUCK & AUTO PARTS, INC.[®] ALL RIGHTS RESERVED.

INTERNATIONAL[®]

RA355 FRONT - REAR AXLE

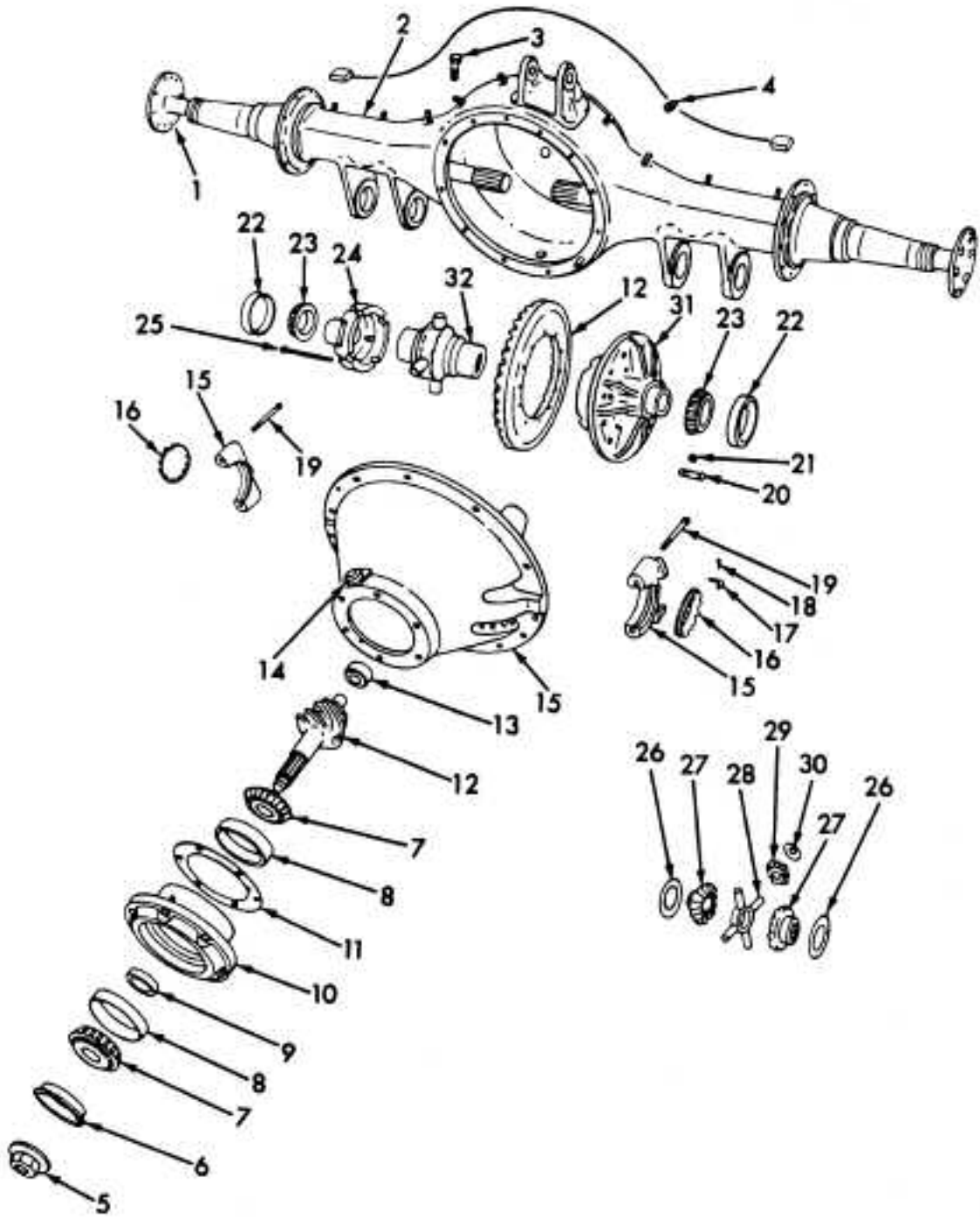
ITEM NO.	PART NO.	DESCRIPTION	QTY
54	157494R1	& WASHER, DIFF. SIDE GEAR THRUST	2
	157563R2	20 SPLINE	
55	571354C1	& GEAR, DIFF. SIDE - 41 SPL.	2
56	864360R1	& WASHER, DIFF. THRUST	4
57	864357R2	& GEAR, DIFF. PINION	4
58	864356R2	& SPIDER, DIFF.	1
59		@ @ CASE, DIFF. FLG HALF	
	505756C1	3.73 THRU 4.44-1 RATIO	1
	505757C1	4.78 THRU 8.17-1 RATIO	1
60	157490R1	● RIVET, RING GEAR TO DIFF. CASE	12
61	27293R1	@ @ NUT, DIFF. CASE BOLT	8
62		SHAFT, AXLE 2-1/8 IN. X 20 SPLINES	
	157518R2	PRE-COMMON WHEEL END	2
	571350C2	41 SPLINES COMMON WHEEL END	2
		STUD, WHEEL FLG	16
	9412368	NUT, HEX LK 3/4-16UNF	16
	895493R2	GASKET, AXLE SHAFT EXC CODE 844004	2
	56152R2	FOR CODE 844004	2
63		HOUSING, AXLE	
		PRE-COMMON WHEEL END	
		HEND [®] SUSP	
	334052C5	W/O TTR-BRKT FOR SERVICE ORDER	1
		1-1651833C1	
		2-FP594A	
	1651833C1	W/TTR-BRKT	1
		INTL SUSP	
	1651835C1	4-SPG	1
	497874C2	AIR	1
		COMMON WHEEL END	
	595593C1	HEND [®] SUSP	1
		INTL [®] SUSP	
	1686122C1	4-SPG AND REYCO [®]	1
	1697105C1	AIR	
		PLUG	
	586045C1	PIPE SQ-SOCKET 3/4 DRAIN AND FILLER	2
	586048C1	TEMP SEND HOLE	1
	586049C1	MAGNETIC DRAIN	1
	91916R91	BREATHER	1
	FP594A	BEARING	2
	595622C2	BRACKET, TORQUE ROD	1
64	446839C1	GASKET, SILICONE 4.7 OZ. TUBE	1
65		NOT USED	
66		NOT USED	
67		NOT USED	
68		NOT USED	
69		GASKET, SILICONE 3 OZ. TUBE	1
70	227334R2	SHAFT, OUTPUT	1
71	210	▲ BEARING, OUTPUT SHAFT	1
72	660433R1	▲ RING, SNAP, OUTPUT SHAFT BRG	1
73	332678C2	RETAINER, OUTPUT SHAFT BRG	1
74	25709R1	WASHER, FL 3/8	4
75		SPACER, REAR INPUT GEAR BRG	
	344639C1	.185 IN. THK	AR
	344643C1	.189 IN. THK	AR
	344649C1	.195 IN. THK	AR

ITEM NO.	PART NO.	DESCRIPTION	QTY
	344655C1	.201 IN. THK	AR
	344661C1	.207 IN. THK	AR
	366347C1	.213 IN. THK	AR
	366350C1	.219 IN. THK	AR
76	344618C21	RETAINER, W/CUPS, REAR INPUT GEAR BRG	1
	24840R1	BOLT, BRG RET	5
77	388355C1	NUT, GEAR BRG RET	1
		DIFFERENTIAL, STD	
		2-1/8 IN. X 20 SPLINES	
		PRE-COMMON WHEEL END	
	468091C97	3.73-1 RATIO	
	493853C92	3.91-1 RATIO	
	468092C97	4.10-1 RATIO	
	468093C97	4.44-1 RATIO	
	468094C97	4.78-1 RATIO	
	468095C97	5.37-1 RATIO	
	468096C97	6.14-1 RATIO	
	468097C97	6.57-1 RATIO	
	468098C97	7.17-1 RATIO	
	468099C97	8.17-1 RATIO	
		DIFFERENTIAL, STD	
		2-1/8 IN. X 41 SPLINES	
		COMMON WHEEL END	
	572261C91	3.73-1 RATIO	
	572262C91	3.91-1 RATIO	
	572263C91	4.10-1 RATIO	
	572264C91	4.44-1 RATIO	
	572265C91	4.78-1 RATIO	
	572266C91	5.37-1 RATIO	
	572267C91	6.14-1 RATIO	
	572268C91	6.57-1 RATIO	
	572269C91	7.17-1 RATIO	
	572270C91	8.17-1 RATIO	
		// SEE DIFF. CASE LISTING WHEN CHANGING RATIOS	
		@ @ CASE, DIFF. W/BOLTS	
	493204C91	3.73 THRU 4.44-1 RATIO	
	493205C91	4.78 THRU 8.17-1 RATIO	
	493197C91	& GEAR SET, DIFF. SIDE AND PINION 2-1/8 IN. X 20 SPLINES	
		PRE-COMMON WHEEL END	
	585706C91	& 41 SPLINES	
		COMMON WHEEL END	
	1651260C91	@ KIT, INTER DIFF. HSG CASE AND GEARS	
	578499C91	# KIT, INTER DIFF. CASE AND PINION GEARS	
	493199C91	▶ KIT, INTER DIFF. PINION AND SIDE GEARS	
	RA192FBR	▲ BRG & SEAL KIT	
	1696994C91	● BOLT KIT	

PARTS LISTED IN THIS CATALOG ARE NOT NECESSARILY MANUFACTURED BY THE ORIGINAL EQUIPMENT MANUFACTURER AND ANY REFERENCE TO THE TRADEMARKS OR PART NUMBERS OF OTHERS ARE FOR CROSS REFERENCE INFORMATIONAL PURPOSES ONLY. THE TRADEMARKS OF OTHERS REFERRED TO HEREIN ARE OWNED BY THEIR RESPECTIVE COMPANIES AND ARE NOT AFFILIATED IN ANY WAY WITH MIDWEST TRUCK & AUTO PARTS, INC.[®] MOTIVE GEAR[®] AND WORLD AMERICAN[®] ARE THE REGISTERED TRADEMARKS OF MIDWEST TRUCK & AUTO PARTS, INC.[®] USE OF THE [®] IN CONNECTION WITH A MARK OF MIDWEST TRUCK & AUTO PARTS, INC.[®] INDICATES THAT THE MARK IS REGISTERED IN AT LEAST THE UNITED STATES. NO REPRESENTATION IS MADE WITH RESPECT TO THE SOURCE OF MANUFACTURE OF ANY PARTICULAR PART. © 2005, MIDWEST TRUCK & AUTO PARTS, INC.[®] ALL RIGHTS RESERVED.

INTERNATIONAL®

RA355/472 REAR - REAR AXLE



PARTS LISTED IN THIS CATALOG ARE NOT NECESSARILY MANUFACTURED BY THE ORIGINAL EQUIPMENT MANUFACTURER AND ANY REFERENCE TO THE TRADEMARKS OR PART NUMBERS OF OTHERS ARE FOR CROSS REFERENCE INFORMATIONAL PURPOSES ONLY. THE TRADEMARKS OF OTHERS REFERRED TO HEREIN ARE OWNED BY THEIR RESPECTIVE COMPANIES AND ARE NOT AFFILIATED IN ANY WAY WITH MIDWEST TRUCK & AUTO PARTS, INC.® MOTIVE GEAR® AND WORLD AMERICAN® ARE THE REGISTERED TRADEMARKS OF MIDWEST TRUCK & AUTO PARTS, INC.® USE OF THE ® IN CONNECTION WITH A MARK OF MIDWEST TRUCK & AUTO PARTS, INC.® INDICATES THAT THE MARK IS REGISTERED IN AT LEAST THE UNITED STATES. NO REPRESENTATION IS MADE WITH RESPECT TO THE SOURCE OF MANUFACTURE OF ANY PARTICULAR PART. © 2005, MIDWEST TRUCK & AUTO PARTS, INC.® ALL RIGHTS RESERVED.

INTERNATIONAL®

RA355 REAR - REAR AXLE

ITEM NO.	PART NO.	DESCRIPTION	QTY
		AXLE, REAR REAR INTL/DANA® G380S, J400S 38/40000 LB. SGL-RED	
1	157518R2	SHAFT, AXLE 2-1/8 IN. X 20 SPLINES PRE-COMMON WHEEL END	2
	571350C2	2-1/8 IN. X 41 SPLINES COMMON WHEEL END	2
	1615350C1	W/O CODE 844004 W/CODE 844004	2
		STUD, WHEEL FLG	16
	144423H	NUT, AXLE SHAFT FLG 5/8-18UNF	AR
	9412368	3/4-16UNF	AR
	54700R1	DOWEL, AXLE SHAFT FLG W/CODE 844004	16
	895493R2	GASKET, AXLE SHAFT FLG W/O CODE 844004	2
	56152R2	W/CODE 844004	2
2		HOUSING, AXLE PRE-COMMON WHEEL END	
		HEND® SUSP REORDER 1-165183RC1 AND 2-ST2057	1
	1651834C1	HEND® SUSP W/TTR-BRKT	1
	487590C3	INTL 4-SPG SUSP	1
		INTL AIR SUSP REORDER 487590C2 AND 501687C1	1
		COMMON WHEEL END HEND® SUSP EXC AIR SUSP OR RT441 SUSP	
	595601C1	W/O 2-BOLT TTR-BRKT W/O 12.8 HI OR 15.5 HI TTR-BRKT	1
	595607C1	W/12.8 HI TTR-BRKT	1
	595606C2	W/15.5 HI TTR-BRKT W/2-BOLT TTR-BRKT W/O 2-BOLT BEAM HANGER BRKT	1
	1663956C1	W/O 12.8 HI TTR-BRKT	1
	1668715C1	W/12.8 HI TTR-BRKT W/2-BOLT BEAM HANGER BRKT W/O 12.8 HI TTR-BRKT W/O SENSOR BLOCKS	1
	1697465C1	W/SENSOR BLOCKS	1
	1697465C1	W/12.8 HI TTR-BRKT	1
	1683726C1	FOR AIR SUSP	1
	1686123C1	FOR RT441 SUSP	1
	1647670C1	INTL SUSP 4-SPG	
	1697109C1	W/O LOW MTD SUSP AND 40.75 IN.	1
	1652756C1	SPG CTR W/LOW MTD SUSP AND 40.75 IN. SPG CTR AIR SUSP	1

ITEM NO.	PART NO.	DESCRIPTION	QTY
2	1686123C1	EXC LOW PROFILE SUSP W/O ABS SENSOR	1
	1686123C1	W/ABS SENSOR	1
	2021633C1	FOR LOW PROFILE SUSP ORDER 595602C1 HSG AND 1672183C1 TTR-BRKT	1
	596820C91	NEWAY® AIR SUSP 12.8 TTR-BRKT W/O TAB REMOVED FROM FRONT HANGER BRKT	1
	1668755C2	W/TAB REMOVED FROM BEAM HANGER BRKT ORDER 1682914C1 HSG AND 595622C2 TTR-BRKT	1
	595603C1	13.3 TTR-BRKT	1
	1697109C1	REYCO® 101, 101A, 102, 102W SUSP	1
		RIDEWELL® SUSP W/12.8 HI TTR-BRKT PLUG, PATCH THD	1
	586048C1	1/2-14NPTF	1
	586045C1	3/4-14NPTF	1
	FP594A	BEARING, HSG AXLE	2
	595622C2	BRACKET, TORQUE ROD	1
3	91916R91	BREATHER, AXLE HSG VENT	1
4	586049C1	PLUG, PIPE MAGNETIC DRAIN	1
5		NUT, PINION SHAFT W/O 1480 YOKE	1
	1696474C1	W/1480 YOKE	AR
	501146C1	WASHER, PINION SHAFT	AR
	390362R1		AR
6	710008	@ SEAL, PINION OIL	1
7	72225C	@ BEARING, PINION CONE	2
8	72487	@ BEARING, PINION CUP	2
9		SPACER, PINION BRG	
	360463C1	.718 IN. THK	AR
	360457C1	.722 IN. THK	AR
	360461C1	.726 IN. THK	AR
	360465C1	.730 IN. THK	AR
	360469C1	.734 IN. THK	AR
	393975C1	.738 IN. THK	AR
	393979C1	.742 IN. THK	AR
10	454719C91	CAGE, W/CUPS, PINION BRG	1
	83968R1	BOLT, CAGE TO CARR 9/16-12 X 1-1/2 IN.	6
11		SHIM, PINION BRG CAGE	
	896612R1	.005 IN. THK	AR
	157566R1	.010 IN. THK	AR
	157567R1	.030 IN. THK	AR
12	//	GEAR SET, RING AND PINION INCLUDES 57881C1 LK NUT 390362R1 WASHER, 580449C91 SEALANT KIT	
	597236C91	3.54-1 RATIO	1
	597237C91	3.73-1 RATIO	1
	597238C91	3.91-1 RATIO	1
	597240C91	4.44-1 RATIO	1
	597241C91	4.78-1 RATIO	1
	1698173C91	5.11-1 RATIO	1
	597242C91	5.38-1 RATIO	1
	597243C91	6.14-1 RATIO	1

PARTS LISTED IN THIS CATALOG ARE NOT NECESSARILY MANUFACTURED BY THE ORIGINAL EQUIPMENT MANUFACTURER AND ANY REFERENCE TO THE TRADEMARKS OR PART NUMBERS OF OTHERS ARE FOR CROSS REFERENCE INFORMATIONAL PURPOSES ONLY. THE TRADEMARKS OF OTHERS REFERRED TO HEREIN ARE OWNED BY THEIR RESPECTIVE COMPANIES AND ARE NOT AFFILIATED IN ANY WAY WITH MIDWEST TRUCK & AUTO PARTS, INC.® MOTIVE GEAR® AND WORLD AMERICAN® ARE THE REGISTERED TRADEMARKS OF MIDWEST TRUCK & AUTO PARTS, INC.® USE OF THE ® IN CONNECTION WITH A MARK OF MIDWEST TRUCK & AUTO PARTS, INC.® INDICATES THAT THE MARK IS REGISTERED IN AT LEAST THE UNITED STATES. NO REPRESENTATION IS MADE WITH RESPECT TO THE SOURCE OF MANUFACTURE OF ANY PARTICULAR PART. © 2005, MIDWEST TRUCK & AUTO PARTS, INC.® ALL RIGHTS RESERVED.

INTERNATIONAL®

RA355 REAR - REAR AXLE

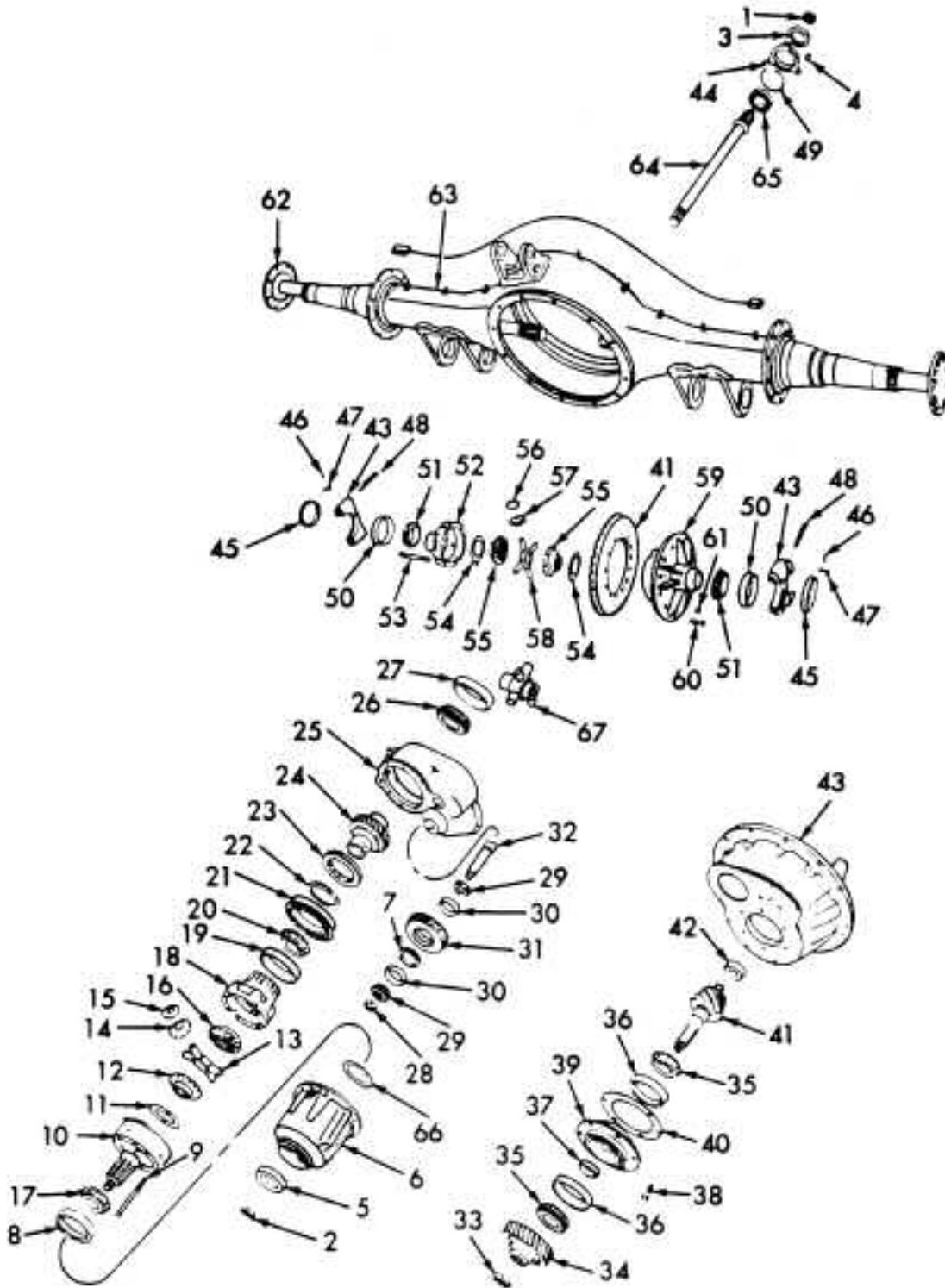
ITEM NO.	PART NO.	DESCRIPTION	QTY
	597244C91	6.51-1 RATIO	1
	597245C91	7.17-1 RATIO	1
13	MU1307TM	@ BEARING, PINION PILOT	1
14	586045C1	PLUG, PIPE SQ-SOC 3/4 IN. FILLER	1
15	16109R93	CARRIER, W/CAPS DIFF.	1
	1691150C1	BOLT, CARR. TO HSG	12
	5/8 R	WASHER12 GASKET, SILICONE	
	554204C1	@ 3 OZ. TUBE	1
	446839C1	4.7 OZ. TUBE	1
16	69208R1	ADJUSTER, DIFF. BRG	2
17	157491R2	LOCK, DIFF. BRG ADJ	2
18	3/16 X 1 P	PIN, COTTER 3/16 X 1 IN.	2
19	24895R1	BOLT, DIFF. BRG CAP	4
	25712R1	3/4-10 X 4-1/5 IN. WASHER, 3/4 IN. DIFF. BRG CAP BOLT	4
20	157490R1	☉ RIVET, RING GEAR TO DIFF. CASE	12
21	27293R1	# NUT, DIFF. CASE BOLT	8
22	47820	@ BEARING, DIFF. CUP	2
23	47890	@ BEARING, DIFF. CONE	2
24	864358R2	# CASE, DIFF. PL HALF	1
25		# BOLT, DIFF. CASE	
	1691257C1	3.54-1 RATIO	1
	1691256C1	3.73 THRU 4.44-1 RATIO	1
	1691255C1	4.78 THRU 8.17-1 RATIO	1
26	157494R1	▲ WASHER, SIDE GEAR THRUST	2
27	571354C1	▲ GEAR, DIFF. SIDE - 41 SPL.	2
	157563R1	20 SPLINE	
28	864356R2	▲ SPIDER, DIFF.	1
29	864357R2	▲ GEAR, DIFF. PINION	4
30	864360R1	▲ WASHER, PINION THRUST	4
31		# CASE, DIFF. FLG HALF	
	584281C1	3.54-1 RATIO	1
	505756C1	3.73-1 RATIO	1
	505757C1	4.78 THRU 7.17-1 RATIO	1
32		DIFFERENTIAL, NO SPIN™ NOTE: ITEM 32 REPLACES ITEMS 26 THRU 30 WHEN NO-SPIN™ DIFF. IS USED.	
		DIFFERENTIAL, STD PRE-COMMON WHEEL END 2-1/8 IN. X 20 SPLINES	
	991126C91	3.73-1 RATIO	
	991127C91	3.91-1 RATIO	
	991128C91	4.10-1 RATIO	
	991129C91	4.44-1 RATIO	
	991130C91	4.78-1 RATIO	
	991131C91	5.38-1 RATIO	
	991132C91	6.14-1 RATIO	
	991133C91	6.57-1 RATIO	
	991134C91	7.17-1 RATIO	
		COMMON WHEEL END 2-1/8 IN. X 41 SPLINES	
	584289C91	3.54-1 RATIO	
	571913C91	3.73-1 RATIO	
	571914C91	3.91-1 RATIO	
	571915C91	4.10-1 RATIO	

ITEM NO.	PART NO.	DESCRIPTION	QTY
	571916C91	4.44-1 RATIO	
	571917C91	4.78-1 RATIO	
32	1698172C91	5.11-1 RATIO	
	571918C91	5.38-1 RATIO	
	571919C91	6.14-1 RATIO	
	571920C91	6.57-1 RATIO	
	571921C91	7.17-1 RATIO	
		NO-SPIN™ PRE-COMMON WHEEL END 2-1/8 IN. X 20 SPLINES	
	484129C92	3.73-1 RATIO	
	494632C92	3.91-1 RATIO	
	484130C92	4.10-1 RATIO	
	484131C92	4.44-1 RATIO	
	484132C92	4.78-1 RATIO	
	484133C92	5.38-1 RATIO	
	991132C91	6.14-1 RATIO	
	484135C92	6.57-1 RATIO	
	484136C92	7.17-1 RATIO	
		COMMON WHEEL END 2-1/8 IN. X 41 SPLINES	
		NOTE: ORDER STD DIFF. AND ITEM 32	
		// SEE DIFF. CASE LISTING WHEN CHANGING RATIOS	
		# CASE, W/BOLTS AND NUTS, DIFF.	
	586702C91	3.54-1 RATIO	
	493204C91	3.73 THRU 4.44-1 RATIO	
	493205C91	4.78 THRU 8.17-1 RATIO	
	493197C91	▲ GEAR SET, DIFF. SIDE AND PINION 2-1/8 IN. X 20 SPLINES PRE-COMMON WHEEL END	
	585706C91	▲ 2-1/8 IN. X 41 SPLINES COMMON WHEEL END	
	RA192RBR	@ BRG AND SEAL KIT	
	1696994C91	☉ BOLT KIT	

PARTS LISTED IN THIS CATALOG ARE NOT NECESSARILY MANUFACTURED BY THE ORIGINAL EQUIPMENT MANUFACTURER AND ANY REFERENCE TO THE TRADEMARKS OR PART NUMBERS OF OTHERS ARE FOR CROSS REFERENCE INFORMATIONAL PURPOSES ONLY. THE TRADEMARKS OF OTHERS REFERRED TO HEREIN ARE OWNED BY THEIR RESPECTIVE COMPANIES AND ARE NOT AFFILIATED IN ANY WAY WITH MIDWEST TRUCK & AUTO PARTS, INC.® MOTIVE GEAR® AND WORLD AMERICAN® ARE THE REGISTERED TRADEMARKS OF MIDWEST TRUCK & AUTO PARTS, INC.® USE OF THE ® IN CONNECTION WITH A MARK OF MIDWEST TRUCK & AUTO PARTS, INC.® INDICATES THAT THE MARK IS REGISTERED IN AT LEAST THE UNITED STATES. NO REPRESENTATION IS MADE WITH RESPECT TO THE SOURCE OF MANUFACTURE OF ANY PARTICULAR PART. © 2005, MIDWEST TRUCK & AUTO PARTS, INC.® ALL RIGHTS RESERVED.

INTERNATIONAL[®]

RA472 FRONT - REAR AXLE



PARTS LISTED IN THIS CATALOG ARE NOT NECESSARILY MANUFACTURED BY THE ORIGINAL EQUIPMENT MANUFACTURER AND ANY REFERENCE TO THE TRADEMARKS OR PART NUMBERS OF OTHERS ARE FOR CROSS REFERENCE INFORMATIONAL PURPOSES ONLY. THE TRADEMARKS OF OTHERS REFERRED TO HEREIN ARE OWNED BY THEIR RESPECTIVE COMPANIES AND ARE NOT AFFILIATED IN ANY WAY WITH MIDWEST TRUCK & AUTO PARTS, INC.[®] MOTIVE GEAR[®] AND WORLD AMERICAN[®] ARE THE REGISTERED TRADEMARKS OF MIDWEST TRUCK & AUTO PARTS, INC.[®] USE OF THE [®] IN CONNECTION WITH A MARK OF MIDWEST TRUCK & AUTO PARTS, INC.[®] INDICATES THAT THE MARK IS REGISTERED IN AT LEAST THE UNITED STATES. NO REPRESENTATION IS MADE WITH RESPECT TO THE SOURCE OF MANUFACTURE OF ANY PARTICULAR PART. © 2005, MIDWEST TRUCK & AUTO PARTS, INC.[®] ALL RIGHTS RESERVED.

INTERNATIONAL[®]

RA472 FRONT - REAR AXLE

ITEM NO.	PART NO.	DESCRIPTION	QTY
		AXLE, FWD REAR INTL/DANA [®] J340S, J380S, J440S 34/38/40000 LB. SGL-RED	
1	1696473C1	NUT, COMPANION FLG OUTPUT	1
2		NUT, COMPANION FLG INPUT	
	440302C1	PRIOR TO 7/1/93	1
	1696474C1	/ 7/1/93 AND LATER	1
3		SEAL, OUTPUT SHAFT OIL	
	415013N	PRIOR TO 7/15/91	1
	1691147C2	7/15/91 AND LATER	1
4	26310R1	BOLT, RET TO HSG	4
	25709R1	WASHER, FL 3/8 IN.	4
5	415281N	@ SEAL, INTERAXLE DIFF. HSG OIL	1
6		HOUSING, INTERAXLE DIFF.	
	481119C2	PRIOR TO 7/1/93	1
		ORDER 1695386C1 HSG AND 1695385C91 BRG	
	1695386C1	▶ 7/1/93 AND LATER	1
		SCREW, 12 PT-HD	
		1/2-13UNC X	
	583164C1	1-1/4 IN.	6
	583165C1	2 IN.	1
	554204C1	SEALANT, SILICONE, 3 OZ. TUBE	1
		PLUG, INTERAXLE DIFF. HSG DRAIN	
		7/1/93 AND LATER	
	586045C1	W/O CODE 14WLD	1
	2035620C1	W/CODE 14WLD	1
7		SPACER, IDLER GEAR BRG	
		OLD DESIGN	
	463423C2	1.277 IN. THK	AR
	463424C2	1.282 IN. THK	AR
	463425C2	1.287 IN. THK	AR
	463426C2	1.292 IN. THK	AR
	463427C2	1.297 IN. THK	AR
	463428C2	1.302 IN. THK	AR
	463429C2	1.307 IN. THK	AR
	497865C1	1.312 IN. THK	AR
	497866C1	1.312 IN. THK	AR
		NEW DESIGN	
	1654953C1	1.632 IN. THK	AR
	1654954C1	1.637 IN. THK	AR
	1654955C1	1.642 IN. THK	AR
	1654956C1	1.647 IN. THK	AR
	1654957C1	1.652 IN. THK	AR
	1654958C1	1.657 IN. THK	AR
	1654959C1	1.662 IN. THK	AR
	1654960C1	1.665 IN. THK	AR
8	JLM710910	@ CUP, INTERAXLE DIFF. FRT BRG FOR SERVICE, ORDER JLM710910	1
9	27857R1	SCREW, 12 PT HD 1/2NC X 2-3/4 IN.	8
		PRIOR TO 7/1/93	
		▶ / RIVET, INTERAXLE DIFF. CASE	8
		7/1/93 AND LATER	

ITEM NO.	PART NO.	DESCRIPTION	QTY
10	463415C91	▶ / CASE, INTERAXLE DIFF. FRT	1
11	W4860	▶ /@& BEARING, FRT SIDE GEAR THRUST	1
12	463414C1	▶ /& GEAR, INTERAXLE DIFF FRT SIDE	1
13	463412C1	▶ /& SPIDER, INTERAXLE DIFF.	1
14	463419C1	▶ /& GEAR, INTERAXLE DIFF. PINION	4
15	463413C1	▶ /& WASHER, TRANSAXLE DIFF. PINION GEAR THRUST	4
16	463402C1	▶ /& GEAR, INTERAXLE DIFF. REAR SIDE	1
17	JLM710949	@ CONE, INTERAXLE DIFF. FRT BRG FOR SERVICE, ORDER JLM710949	1
18	463404C91	▶ / CASE, INTERAXLE DIFF. REAR	1
19	28921	@ CUP, INTERAXLE DIFF. REAR CASE BRG	1
20	28985	@ CONE, INTERAXLE DIFF. REAR CASE BRG	1
21	XLS5-1/8A	@ BEARING, INTERAXLE DIFF. REAR BALL	1
22	495024C1	RING, INTERAXLE DIFF. REAR BRG RET	1
23	463430C2	COLLAR, SHIFT CLUTCH	1
24	481108C1	GEAR, DIFF. INPUT	1
25	592535C1	CASE, INTERAXLE DIFF. SCREW, 12 PT-HD 1/2-13UNC X	1
		1-1/4 IN.	5
	583164C1	1-1/4 IN.	5
	583166C1	2-1/4 IN.	6
		PLUG, DRAIN	
	586045C1	W/O CODE 14WLD	1
	2035620C1	W/CODE 14WLD	1
	554204C1	SEALANT, SILICONE 3 OZ. TUBE	1
	592534C92	CYLINDER, DIFF. SHIFT LK	1
	378066R1	RING, SNAP	1
	584278C1	SPRING, COMPRESSION	1
26	JLM710949	@ CONE, INPUT GEAR BRG FOR SERVICE, ORDER JLM710949	1
27	JLM710910	@ CUP, INPUT GEAR BRG FOR SERVICE, ORDER JLM710910	1
28	1696472C1	NUT, IDLER GEAR SHAFT STOP	1
29		CONE, IDLER GEAR BRG	
	3877	@ OLD DESIGN	2
	M802048	@ NEW DESIGN	2
30		CUP, IDLER GEAR BRG	
	3820	@ OLD DESIGN	2
	M802011	@ NEW DESIGN	2
31		GEAR IDLER	1
	481107C91	LARGE BEARING (3.75")	
	1654949C91	SMALL BEARING (3.25")	
32	463420C2	SHAFT, IDLER GEAR	1
33	83799	NUT, PINION SHAFT CASTELLATED	1
	19415R1	PIN, SLT	1
34	483442C1	GEAR, PINION SHAFT DRIVEN	1
35	72225C	CONE, PINION BRG	2

PARTS LISTED IN THIS CATALOG ARE NOT NECESSARILY MANUFACTURED BY THE ORIGINAL EQUIPMENT MANUFACTURER AND ANY REFERENCE TO THE TRADEMARKS OR PART NUMBERS OF OTHERS ARE FOR CROSS REFERENCE INFORMATIONAL PURPOSES ONLY. THE TRADEMARKS OF OTHERS REFERRED TO HEREIN ARE OWNED BY THEIR RESPECTIVE COMPANIES AND ARE NOT AFFILIATED IN ANY WAY WITH MIDWEST TRUCK & AUTO PARTS, INC.[®] MOTIVE GEAR[®] AND WORLD AMERICAN[®] ARE THE REGISTERED TRADEMARKS OF MIDWEST TRUCK & AUTO PARTS, INC.[®] USE OF THE "®" IN CONNECTION WITH A MARK OF MIDWEST TRUCK & AUTO PARTS, INC.[®] INDICATES THAT THE MARK IS REGISTERED IN AT LEAST THE UNITED STATES. NO REPRESENTATION IS MADE WITH RESPECT TO THE SOURCE OF MANUFACTURE OF ANY PARTICULAR PART. © 2005, MIDWEST TRUCK & AUTO PARTS, INC.[®] ALL RIGHTS RESERVED.

INTERNATIONAL[®]

RA472 FRONT - REAR AXLE

ITEM NO.	PART NO.	DESCRIPTION	QTY
36	72487	CUP, PINION BRG	2
37		SPACER, PINION BRG	
	360453C1	.718 IN. THK	AR
	360457C1	.722 IN. THK	AR
	360461C1	.726 IN. THK	AR
	360465C1	.730 IN. THK	AR
	360469C1	.734 IN. THK	AR
	393975C1	.738 IN. THK	AR
	393979C1	.742 IN. THK	AR
38	1691152C1	BOLT, PINION BRG CAGE	8
39	482787C91	CAGE, PINION BRG, W/CUPS	1
40		SHIM, PINION BRG CAGE	
	463435C2	.003 IN. THK	AR
	463436C2	.005 IN. THK	AR
41	//	GEAR SET, RING AND PINION INCLUDES ETN0083799 CASTELLATED NUT AND 19415R1 SLT PIN	
	597236C91	3.54-1 RATIO	1
	597237C91	3.73-1 RATIO	1
	597238C91	3.91-1 RATIO	1
	597239C91	4.10-1 RATIO	1
	597240C91	4.44-1 RATIO	1
	597241C91	4.78-1 RATIO	1
	1694169C91	5.11-1 RATIO	1
	597242C91	5.37-1 RATIO	1
	597243C91	6.14-1 RATIO	1
	597244C91	6.57-1 RATIO	1
	597245C91	7.17-1 RATIO	1
	597246C91	8.17-1 RATIO	1
		BOLT, RING GEAR TO DIFF. CASE	AR
42	MU1307TM	@ BEARING, PINION PILOT	1
43	464253C92	CARRIER, DIFF. W/CAPS	1
	1691150C1	BOLT, CARR TO HSG	12
	5/8 R	WASHER, LK 5/8 IN.	12
		GASKET, ELIMINATOR	
	1693855C1	6 ML	1
	1693856C1	50 ML1	
44	481811C1	CAGE, OUTPUT SHAFT BRG	1
45	69208R1	ADJUSTER, DIFF.	2
46	3/16 X 1 P	PIN, COTTER 3/16 X 1 IN.	2
47	157491R2	LOCK, DIFF. BRG ADJ	2
48	24895R1	BOLT, DIFF. BRG CAP	4
	25712R1	WASHER, DIFF. BRG CAP BOLT	4
49	660433R1	RING, OUTPUT SHAFT BRG	1
		SNAP	
50	47820	@ CUP, DIFF. BRG	2
51	47890	@ CONE, DIFF. BRG	2
52	864358R2	# CASE, DIFF. PL HALF	1
53		# BOLT, DIFF. CASE	
	1691257C1	3.54-1 RATIO	8
	1691256C1	3.73 THRU 4.44-1 RATIO	8
	1691255C1	4.78 THRU 8.17-1 RATIO	8
54	157494R1	▲ WASHER, DIFF. SIDE GEAR THRUST	2
55		▲ GEAR, DIFF. SIDE	2
	157563R2	20 SPLINE	
	571354C1	41 SPLINE	
	571357C1	39 SPLINE	

ITEM NO.	PART NO.	DESCRIPTION	QTY
56	864360R1	▲ WASHER, DIFF. PINION GEAR THRUST	4
57	864357R2	▲ GEAR, DIFF. PINION	4
58	864356R2	▲ SPIDER, DIFF.	1
59		# CASE, DIFF. FLG HALF	
	584281C1	3.54-1 RATIO	1
	505756C1	3.73 THRU 4.44-1 RATIO	1
	505757C1	4.78 THRU 8.17-1 RATIO	1
60	157490R1	&& RIVET, RING GEAR TO DIFF. CASE	12
61	27293R1	# NUT, DIFF. CASE BOLT	8
62		SHAFT, AXLE	
	157518R2	PRE-COMMON WHEEL END 2-1/8 IN. X 20 SPLINE COMMON WHEEL END CODE 14472	2
		2-1/8 IN. X 41 SPLINE W/O CODE 844004	2
	571350C2	W/O CODE 844004	2
	1615350C1	W/CODE 844004	2
	2502179C1	CODE 14475	2
		2 IN. X 39 SPLINE	
	1649262C1	CODE 14476	2
		2 IN. X 39 SPLINE	
		STUD, WHEEL FLG	16
		NUT, HEX NY-LOCK [®]	
	9412368	EXC CODE 844004	16
		3/4-16UNF	
	144423H	FOR CODE 844004	16
		5/8-18UNF	
		GASKET, AXLE SHAFT FLG	
	895493R2	EXC CODE 844004	2
	56152R2	FOR CODE 844004	2
63		HOUSING, AXLE CODE 14472	
		HEND [®] SUSP EXC AIR SUSP W/O 2-BOLT TTR-BRKT	
	595593C1	W/O 12.8, 15.5 HI TTR-BRKT	1
	595599C1	W/12.8 HI TTR-BRKT	1
	595598C2	W/15.5 HI TTR-BRKT	1
		RE-ORDER 595593C1 HSG AND 591407C4 TTR-BRKT	
		W/2-BOLT TTR-BRKT W/O 2-BOLT BEAM HANGER BRKT	
	1663955C1	W/O 12.8 HI TTR-BRKT	1
	1668714C1	W/12.8 HI TTR-BRKT	1
		W/2-BOLT BEAM HANGER BRKT	
	1683723C1	W/O 12.8 HI TTR-BRKT	1
	1683725C1	W/12.8 HI TTR-BRKT	1
	1697105C1	FOR AIR SUSP	1
		INTL [®] SUSP 4-SPG EXC LOW PROFILE SUSP	

PARTS LISTED IN THIS CATALOG ARE NOT NECESSARILY MANUFACTURED BY THE ORIGINAL EQUIPMENT MANUFACTURER AND ANY REFERENCE TO THE TRADEMARKS OR PART NUMBERS OF OTHERS ARE FOR CROSS REFERENCE INFORMATIONAL PURPOSES ONLY. THE TRADEMARKS OF OTHERS REFERRED TO HEREIN ARE OWNED BY THEIR RESPECTIVE COMPANIES AND ARE NOT AFFILIATED IN ANY WAY WITH MIDWEST TRUCK & AUTO PARTS, INC.[®] MOTIVE GEAR[®] AND WORLD AMERICAN[®] ARE THE REGISTERED TRADEMARKS OF MIDWEST TRUCK & AUTO PARTS, INC.[®] USE OF THE [®] IN CONNECTION WITH A MARK OF MIDWEST TRUCK & AUTO PARTS, INC.[®] INDICATES THAT THE MARK IS REGISTERED IN AT LEAST THE UNITED STATES. NO REPRESENTATION IS MADE WITH RESPECT TO THE SOURCE OF MANUFACTURE OF ANY PARTICULAR PART. © 2005, MIDWEST TRUCK & AUTO PARTS, INC.[®] ALL RIGHTS RESERVED.

INTERNATIONAL®

RA472 FRONT - REAR AXLE

ITEM NO.	PART NO.	DESCRIPTION	QTY
63	1686122C1	W/O ABS/ATC	1
	1686122C1	W/ABS/ATC	1
	1652755C1	FOR LOW PROFILE SUSP AIR	1
	1697105C1	EXC LOW PROFILE SUSP	1
	2021632C1	FOR LOW PROFILE SUSP ORDER 595594C1 HSG AND 1672183C1 BRKT	1
	596819C91	NEWAY® AIR SUSP EXC LOW PROFILE SUSP 12.8 HI TTR-BRKT	1
	595595C1	13.3 HI TTR-BRKT	1
	1668754C2	FOR LOW PROFILE SUSP ORDER 1682913C1 HSG AND 595622C2 BRKT	1
	1686122C1	REYCO® 101, 101A, 102, 102W SUSP W/O ABS/ATC	1
	1686122C1	W/ABS/ATC	1
	1668714C1	RIDEWELL® SUSP W/O 2-BOLT BEAM HANGER BRKT	1
	1683725C1	W/2-BOLT BEAM HANGER BRKT	1
	2038767C1	CHALMERS® SUSP CODE 14475	1
	595573C1	HEND® SUSP INTL SUSP	1
	595574C1	4-SPG	1
	595575C1	AIR	1
	1654197C1	NEWAY® AIR SUSP ORDER 1654202C1 HSG AND 595622C2 BRKT	1
	595574C1	REYCO® SUSP CODE 14476 HEND® SUSP	1
	595593C1	W/O 12.8, 15.5 HI TTR-BRKT	1
	595599C1	W/12.8 HI TTR-BRKT	1
	595598C2	W/15.5 HI TTR-BRKT RE-ORDER 595593C1 HSG AND 591407C4 TTR-BRKT	1
	1686122C1	INTL SUSP 4-SPG	1
	1697105C1	AIR	1
	59595C1	NEWAY® AIR SUSP	1
	1686122C1	REYCO® SUSP BRACKET, TRANSVERSE TORQUE ROD	1
	595622C2	12.8 IN.	1
	591407C4	15.5 IN.	1
	91916R91	BREATHING, AXLE HSG PLUG, FILLER	1
	586045C1	W/O CODE 14WLD	1
	2035620C1	W/CODE 14WLD	1
	586049C1	PLUG, MAGNETIC PIPE DRAIN	1
	586048C1	PLUG, TEMP SENDER HOLE	1

ITEM NO.	PART NO.	DESCRIPTION	QTY
64	464238C2	SHAFT, OUTPUT	1
65	210	@ BEARING, OUTPUT SHAFT	1
66		SHIM, INTERAXLE DIFF. BRG	
	496276C1	.026 IN. THK	AR
	496277C1	.033 IN. THK	AR
	482040C1	.040 IN. THK	AR
	482041C1	.047 IN. THK	AR
	482042C1	.054 IN. THK	AR
	482043C1	.061 IN. THK	AR
	482044C1	.068 IN. THK	AR
	482045C1	.075 IN. THK	AR
67		DIFFERENTIAL, NO-SPIN™	1
		NOTE: ITEM 67 REPLACES ITEMS 54 THRU 58 WHEN NO-SPIN™ DIFF. IS USED.	
		DIFFERENTIAL, STD CODE 14472	
		PRE-COMMON WHEEL END	
		2-1/8 IN. X 20 SPLINE	
	991202C91	3.73-1 RATIO	
	991203C91	3.91-1 RATIO	
	991204C91	4.10-1 RATIO	
	991205C91	4.44-1 RATIO	
	991206C91	4.78-1 RATIO	
	991207C91	5.38-1 RATIO	
	991208C91	6.14-1 RATIO	
	991209C91	6.57-1 RATIO	
	991210C91	7.17-1 RATIO	
	991211C91	8.17-1 RATIO	
		COMMON WHEEL END	
		2-1/8 IN. X 41 SPLINE	
	1695364C91	3.54-1 RATIO	
	1695365C91	3.73-1 RATIO	
	1695366C91	3.91-1 RATIO	
	1695367C91	4.10-1 RATIO	
	1695368C91	4.44-1 RATIO	
	1695369C91	4.78-1 RATIO	
	1698171C91	5.11-1 RATIO	
	1695370C91	5.38-1 RATIO	
	1695371C91	6.14-1 RATIO	
	1695372C91	6.57-1 RATIO	
	1695373C91	7.17-1 RATIO	
	1695373C91	8.17-1 RATIO	
		CODES 14475, 14476	
		2 IN. X 39 SPLINE	
	1651282C91	3.54-1 RATIO	
	1651283C91	3.73-1 RATIO	
	1651284C91	3.91-1 RATIO	
	1651285C91	4.10-1 RATIO	
	1651286C91	4.44-1 RATIO	
	1651287C91	4.78-1 RATIO	
	1651288C91	5.38-1 RATIO	
	1651289C91	6.14-1 RATIO	
	1651290C91	6.57-1 RATIO	
	1651291C91	7.17-1 RATIO	
		FOR NO-SPIN™ APPLICATIONS, ORDER STD DIFF. AND ITEM 67	

PARTS LISTED IN THIS CATALOG ARE NOT NECESSARILY MANUFACTURED BY THE ORIGINAL EQUIPMENT MANUFACTURER AND ANY REFERENCE TO THE TRADEMARKS OR PART NUMBERS OF OTHERS ARE FOR CROSS REFERENCE INFORMATIONAL PURPOSES ONLY. THE TRADEMARKS OF OTHERS REFERRED TO HEREIN ARE OWNED BY THEIR RESPECTIVE COMPANIES AND ARE NOT AFFILIATED IN ANY WAY WITH MIDWEST TRUCK & AUTO PARTS, INC.® MOTIVE GEAR® AND WORLD AMERICAN® ARE THE REGISTERED TRADEMARKS OF MIDWEST TRUCK & AUTO PARTS, INC.® USE OF THE ® IN CONNECTION WITH A MARK OF MIDWEST TRUCK & AUTO PARTS, INC.® INDICATES THAT THE MARK IS REGISTERED IN AT LEAST THE UNITED STATES. NO REPRESENTATION IS MADE WITH RESPECT TO THE SOURCE OF MANUFACTURE OF ANY PARTICULAR PART. © 2005, MIDWEST TRUCK & AUTO PARTS, INC.® ALL RIGHTS RESERVED.

INTERNATIONAL[®]

RA472 FRONT - REAR AXLE

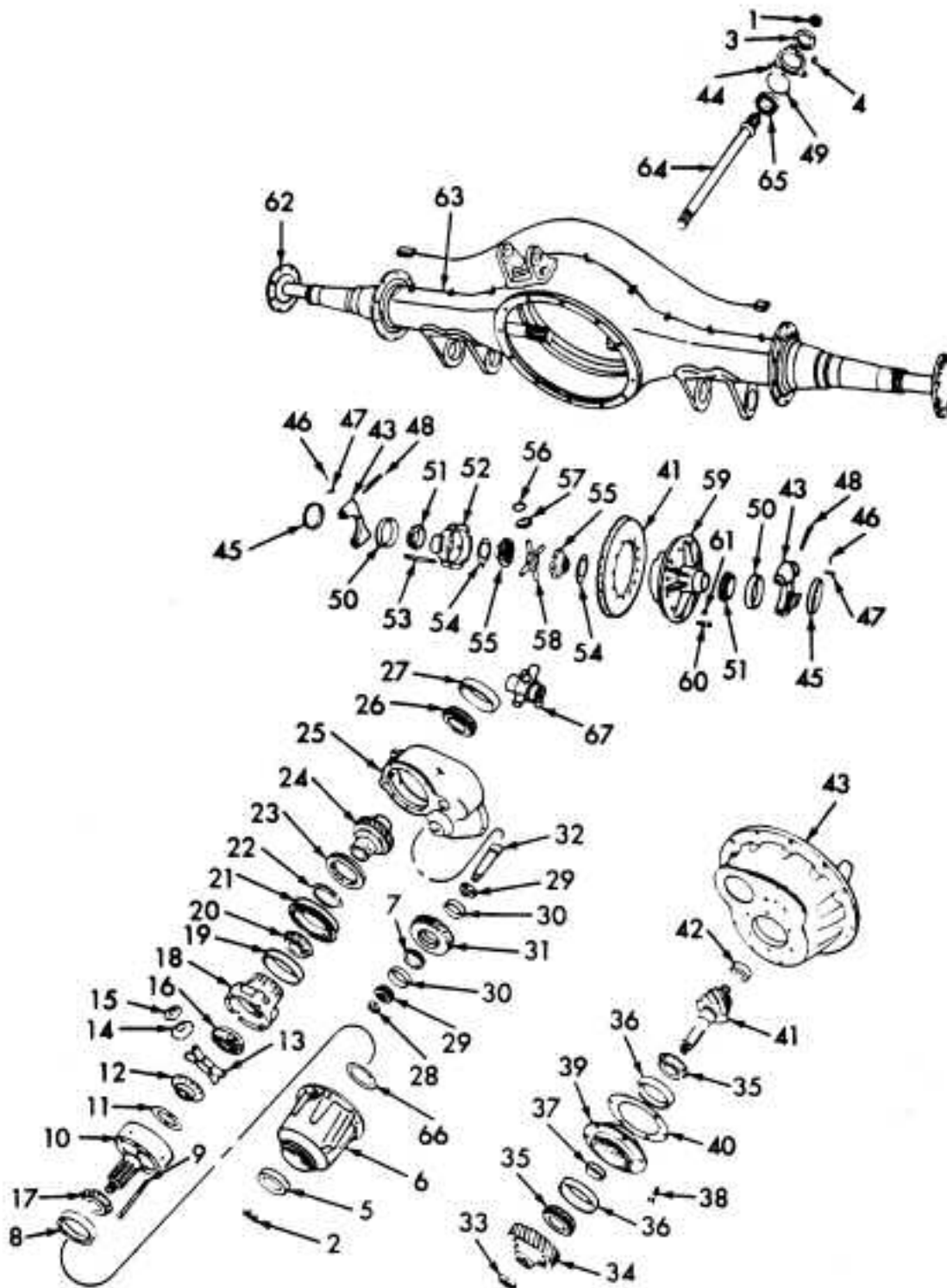
ITEM NO.	PART NO.	DESCRIPTION	QTY
		// SEE DIFF. CASE LISTING WHEN CHANGING RATIOS	
	#	CASE, W/BOLTS AND NUTS	
586702C91		3.54-1 RATIO	
493204C91	#	3.73 THRU 4.44-1 RATIO	
493205C91	#	4.78 THRU 8.17-1 RATIO	
493197C91	▲	GEAR SET, MAIN DIFF. SIDE AND PINION 2-1/8 IN. X 20 SPLINE PRE-COMMON WHEEL END	
565706C91	▲	2-1/8 IN. X 41 SPLINE COMMON WHEEL END CODES	
585705C91	▲	2 IN. X 39 SPLINE	
493200C91	&	GEAR SET, INTERAXLE DIFF. SIDE AND PINION	
578500C91	▶	KIT, INTERAXLE DIFF. W/HSG PRIOR TO 7/1/93	
1695389C91	/	KIT, INTERAXLE DIFF. 7/1/93 AND LATER	
RA200FR	@	BRG AND SEAL KIT	
1696994C91	&&	KIT, RING GEAR BOLT AND NUT	



PARTS LISTED IN THIS CATALOG ARE NOT NECESSARILY MANUFACTURED BY THE ORIGINAL EQUIPMENT MANUFACTURER AND ANY REFERENCE TO THE TRADEMARKS OR PART NUMBERS OF OTHERS ARE FOR CROSS REFERENCE INFORMATIONAL PURPOSES ONLY. THE TRADEMARKS OF OTHERS REFERRED TO HEREIN ARE OWNED BY THEIR RESPECTIVE COMPANIES AND ARE NOT AFFILIATED IN ANY WAY WITH MIDWEST TRUCK & AUTO PARTS, INC.[®] MOTIVE GEAR[®] AND WORLD AMERICAN[®] ARE THE REGISTERED TRADEMARKS OF MIDWEST TRUCK & AUTO PARTS, INC.[®] USE OF THE [®] IN CONNECTION WITH A MARK OF MIDWEST TRUCK & AUTO PARTS, INC.[®] INDICATES THAT THE MARK IS REGISTERED IN AT LEAST THE UNITED STATES. NO REPRESENTATION IS MADE WITH RESPECT TO THE SOURCE OF MANUFACTURE OF ANY PARTICULAR PART. © 2005, MIDWEST TRUCK & AUTO PARTS, INC.[®] ALL RIGHTS RESERVED.

INTERNATIONAL®

RA474 FRONT - REAR AXLE



PARTS LISTED IN THIS CATALOG ARE NOT NECESSARILY MANUFACTURED BY THE ORIGINAL EQUIPMENT MANUFACTURER AND ANY REFERENCE TO THE TRADEMARKS OR PART NUMBERS OF OTHERS ARE FOR CROSS REFERENCE INFORMATIONAL PURPOSES ONLY. THE TRADEMARKS OF OTHERS REFERRED TO HEREIN ARE OWNED BY THEIR RESPECTIVE COMPANIES AND ARE NOT AFFILIATED IN ANY WAY WITH MIDWEST TRUCK & AUTO PARTS, INC.® MOTIVE GEAR® AND WORLD AMERICAN® ARE THE REGISTERED TRADEMARKS OF MIDWEST TRUCK & AUTO PARTS, INC.® USE OF THE ® IN CONNECTION WITH A MARK OF MIDWEST TRUCK & AUTO PARTS, INC.® INDICATES THAT THE MARK IS REGISTERED IN AT LEAST THE UNITED STATES. NO REPRESENTATION IS MADE WITH RESPECT TO THE SOURCE OF MANUFACTURE OF ANY PARTICULAR PART. © 2005, MIDWEST TRUCK & AUTO PARTS, INC.® ALL RIGHTS RESERVED.

INTERNATIONAL[®]

RA474 FRONT - REAR AXLE

ITEM NO.	PART NO.	DESCRIPTION	QTY
		AXLE, FWD REAR INTL/DANA [®] W460S 46000 LB. SGL-RED	
1	1696473C1	NUT, COMPANION FLG OUTPUT	1
2	440302C1 1696474C1	NUT, COMPANION FLG INPUT PRIOR TO 7/1/93 / 7/1/93 AND LATER	1
3	415013N 1691147C2	@ SEAL, OUTPUT SHAFT OIL PRIOR TO 7/15/91 7/15/91 AND LATER	1 1
4	26310R1 25709R1	BOLT, RET TO HSG WASHER, FL 3/8 IN.	4 4
5	100495	@ SEAL, INTERAXLE DIFF. HSG OIL	1
6	481119C2 1695386C1	HOUSING, INTERAXLE DIFF. PRIOR TO 7/1/93 7/1/93 AND LATER	1 1
	583164C1 583165C1	SCREW, 12 PT HD 1/2NC X 1-1/4 IN. 2 IN.	7 1
	1693855C1	GASKET, ELIMINATOR 6 ML	1
	1693856C1	50 ML	1
		PLUG, INTERAXLE DIFF. HSG DRAIN 7/1/93 AND LATER	
	586045C1 2035620C1 554204C1	W/O CODE 14WLD W/CODE 14WLD SEALANT, SILICONE, 3 OZ. TUBE	1 1 1
7		SPACER, IDLER GEAR BRG OLD DESIGN	
	463423C2 463424C2 463425C2 463426C2 463427C2 463428C2 463429C2 497865C1 497866C1	1.277 IN. THK 1.282 IN. THK 1.287 IN. THK 1.292 IN. THK 1.297 IN. THK 1.302 IN. THK 1.307 IN. THK 1.312 IN. THK 1.317 IN. THK	AR AR AR AR AR AR AR AR AR
		NEW DESIGN	
	1654953C1 1654954C1 1654955C1 1654956C1 1654957C1 1654958C1 1654959C1 1654960C1	1.632 IN. THK 1.637 IN. THK 1.642 IN. THK 1.647 IN. THK 1.652 IN. THK 1.657 IN. THK 1.662 IN. THK 1.665 IN. THK	AR AR AR AR AR AR AR AR
8	JLM710910	CUP, INTERAXLE DIFF. FRT BRG FOR SERVICE, ORDER JLM710910	1
9	27857R1	SCREW, 12 PT HD 1/2NC X 2-3/4 IN. PRIOR TO 7/1/93 D/ RIVET, INTERAXLE DIFF. CASE 7/1/93 AND LATER	8 8
10		D/ CASE, INTERAXLE DIFF. FRT	1

ITEM NO.	PART NO.	DESCRIPTION	QTY
11	TRA4860 WA4860	D/@& RACE, FRT SIDE GEAR THRUST BRG D/@& BEARING, FRT SIDE GEAR THRUST	2 1
12	463414C1	D/ & GEAR, INTERAXLE DIFF. FRT SIDE	1
13	463412C1	D/ & SPIDER, INTERAXLE DIFF.	1
14	463419C1	D/ & GEAR, INTERAXLE DIFF. PINION	4
15	463413C1	D/ & WASHER, INTERAXLE DIFF. PINION GEAR THRUST	4
16	463402C1	D/ & GEAR, INTERAXLE DIFF. REAR SIDE	1
17	JLM710949	@ CONE, INTERAXLE DIFF. FRT BRG FOR SERVICE, ORDER JLM710949	1
18		D/ CASE, INTERAXLE DIFF. REAR	1
19	28921	@ CUP, INTERAXLE DIFF. REAR CASE BRG	1
20	28985	@ CONE, INTERAXLE DIFF. REAR CASE BRG	1
21	XLS5-1/8A	@ BEARING, INTERAXLE DIFF. REAR BALL	1
22	495024C1	RING, INTERAXLE DIFF. REAR BRG RET	1
23	463430C2	COLLAR, SHIFT CLUTCH	1
24	481108C1	GEAR, DIFF. INPUT	1
25	592535C1 592534C92 378066R1 584278C1	CASE, INTERAXLE DIFF. CYLINDER, SHIFT RING, RET SPRING, COMPRESSION SCREW, 12 PT HD 1/2NC X 1-1/4 IN. 2 IN.	1 1 1 1 5 6
	583164C1 583166C1	PLUG, DRAIN W/O CODE 14WLD W/CODE 14WLD	1 1
	1693855C1	GASKET, ELIMINATOR 6 ML	1
	1693856C1	50 ML	1
	554204C1 504810C91 504131C1 587212C1 463400C2	SEALANT, SILICONE, 3 OZ TUBE FORK, SHIFT W/INSERTS INSERT, SHIFT FORK SHAFT, CASE COVER, DIFF. CASE	1 1 1 1 1
26	JLM710949	@ CONE, INPUT GEAR BRG	1
27	JLM710910	@ CUP, INPUT GEAR BRG	1
28	1696472C1	NUT, IDLER GEAR SHAFT STOP	1
29	3877 M802048	@ CONE, IDLER GEAR BRG OLD DESIGN NEW DESIGN	2 2
30	3820 M802011	@ CUP, IDLER GEAR BRG OLD DESIGN NEW DESIGN	2 2
31	481107C91 1654949C91	LARGE BEARING 3.75" SMALL BEARING 3.25"	1

PARTS LISTED IN THIS CATALOG ARE NOT NECESSARILY MANUFACTURED BY THE ORIGINAL EQUIPMENT MANUFACTURER AND ANY REFERENCE TO THE TRADEMARKS OR PART NUMBERS OF OTHERS ARE FOR CROSS REFERENCE INFORMATIONAL PURPOSES ONLY. THE TRADEMARKS OF OTHERS REFERRED TO HEREIN ARE OWNED BY THEIR RESPECTIVE COMPANIES AND ARE NOT AFFILIATED IN ANY WAY WITH MIDWEST TRUCK & AUTO PARTS, INC.[®] MOTIVE GEAR[®] AND WORLD AMERICAN[®] ARE THE REGISTERED TRADEMARKS OF MIDWEST TRUCK & AUTO PARTS, INC.[®] USE OF THE ® IN CONNECTION WITH A MARK OF MIDWEST TRUCK & AUTO PARTS, INC.[®] INDICATES THAT THE MARK IS REGISTERED IN AT LEAST THE UNITED STATES. NO REPRESENTATION IS MADE WITH RESPECT TO THE SOURCE OF MANUFACTURE OF ANY PARTICULAR PART. © 2005, MIDWEST TRUCK & AUTO PARTS, INC.[®] ALL RIGHTS RESERVED.

INTERNATIONAL[®]

RA474 FRONT - REAR AXLE

ITEM NO.	PART NO.	DESCRIPTION	QTY
32	463420C2	SHAFT, IDLER GEAR	1
33	83799	NUT, PINION SHAFT CASTELLATED	1
	19415R1	PIN, SLT	1
34	482763C1	GEAR, PINION SHAFT DRIVEN	1
35	@	CONE, PINION BRG	
	H715343	INNER	1
	HM813844	OUTER	1
36	@	CUP, PINION BRG	
	H715311	INNER	1
	HM813810	OUTER	1
37		SPACER, PINION BRG INNER	
	1651818C1	.894 IN. THK	AR
	1651819C1	.896 IN. THK	AR
	1651820C1	.898 IN. THK	AR
	1651821C1	.900 IN. THK	AR
	1651822C1	.902 IN. THK	AR
	1651823C1	.904 IN. THK	AR
	1651824C1	.906 IN. THK	AR
	1651825C1	.908 IN. THK	AR
	1651826C1	.910 IN. THK	AR
	1693399C1	.911 IN. THK	AR
	1693400C1	.916 IN. THK	AR
	892790R1	OUTER .375 IN. THK	1
38		BOLT, PINION BRG CAGE	
	1691247C1	PRIOR TO 07/1/93	6
	1691152C1	7/1/93 AND LATER	8
39	482784C91	CAGE, PINION BRG, W/CUPS	1
40		SHIM, PINION, PINION BRG CAGE	
	463435C2	.005 IN. THK	AR
	463436C2	.010 IN. THK	AR
41	//	GEAR SET, RING AND PINION	
	597247C91	3.54-1 RATIO	1
	597248C91	3.73-1 RATIO	1
	597249C91	3.91-1 RATIO	1
	597250C91	4.10-1 RATIO	1
	597251C91	4.44-1 RATIO	1
	597252C91	4.78-1 RATIO	1
	597253C91	5.38-1 RATIO	1
	1698376C91	5.63-1 RATIO	1
	597254C91	6.14-1 RATIO	1
	597255C91	6.57-1 RATIO	1
	597256C91	7.17-1 RATIO	1
	& &	BOLT, RING GEAR TO DIFF. CASE	AR
42	MU1308UM	@ BEARING, PINION PILOT	1
43	463395C92	CARRIER, DIFF, W/CAPS	1
		SCREW, 12 PT HD 5/8NC X 1-3/4 IN.	6
		2-3/4 IN.	2
		GASKET, ELIMINATOR 50 ML	1
	@@	STUD, CARR TO HSG	4
	@@	WASHER, FL	4
	@@	NUT, STUD	4
44	481811C1	CAGE, OUTPUT SHAFT BRG	1
45	161066R2	ADJUSTER, DIFF. BRG	2
46	3/16 X 1 P	PIN, COTTER 3/16 X 1 IN.	2
47	157491R2	LOCK, DIFF. BRG ADJ	2
48		BOLT, DIFF. BRG CAP	
	24896R1	PRIOR TO 7/1/93	4

ITEM NO.	PART NO.	DESCRIPTION	QTY
	1691245C1	7/1/93 AND LATER	4
	25712R1	WASHER, DIFF. BRG CAP BOLT	4
49	660433R1	RING, OUTPUT SHAFT BRG SNAP	1
50	56650	@ CUP, DIFF. BRG	2
51	56425	@ CONE, DIFF. BRG	2
52	161080R3	# CASE, DIFF. PL HALF	1
53	#	BOLT, DIFF. CASE	
	1691250C1	3.54-1 RATIO	8
	1691249C1	3.73 THRU 4.44-1 RATIOS	8
	1691248C1	4.78 THRU 7.17-1 RATIOS	8
54	161064R1	▲ WASHER, DIFF. SIDE GEAR THRUST	2
	161078R2	22 SPLINE	
55	571356C1	▲ GEAR, DIFF. SIDE - 46 SPL.	2
56	161061R2	▲ WASHER, DIFF. PINION GEAR THRUST	4
57	161042R3	▲ GEAR, DIFF. PINION	4
58	161069R3	▲ SPIDER, DIFF.	1
59	#	CASE, DIFF. FLG HALF	1
	584284C1	3.54-1 RATIO	1
	208523R5	3.73 THRU 4.44-1 RATIOS	1
	161091R5	4.78 THRU 7.17-1 RATIOS	1
	336247C2	SCOOP, OIL, DIFF. CASE PRIOR TO 7/1/93	1
	25752R1	BOLT, OIL SCOOP PRIOR TO 7/1/93	6
60	161060R1	& & RIVET, RING GEAR TO DIFF. CASE	12
61	274639	NUT, DIFF. CASE BOLT	8
62		SHAFT, AXLE	
	161087R2	2-21/64 IN. X 22 SPLINES PRE-COMMON WHEEL END	2
		2-3/8 IN. X 46 SPLINES COMMON WHEEL END	
	571351C2	W/O CODE 844004	2
	1654168C1	W/CODE 844004	2
		STUD, WHEEL FLG	16
		NUT, HEX NY-LOCK [®] EXC CODE 844004	16
	9412368	3/4-16UNF	16
	144423H	FOR CODE 844004 5/8-18UNF	16
	54700R1	BUSHING, AXLE SHAFT STUD CODE 844004	16
		GASKET, AXLE SHAFT FLG	
	895493R2	EXC CODE 844004	2
	56152R2	FOR CODE 844004	2
63		HOUSING, AXLE	
		PRE-COMMON WHEEL END	
		HEND [®] SUSP	
	463465C92	W/O TTR-BRKT	1
	501172C93	W/TTR-BRKT	1
	572160C93	NEWAY [®] AIR SUSP COMMON WHEEL END	1
		HEND [®] SUSP	
		EXC AIR SUSP, RT441 SUSP	
		W/O 2-BOLT TTR-BRKT	
	595609C1	W/O 12.8, 15.5 HI TR-BRKT	1

PARTS LISTED IN THIS CATALOG ARE NOT NECESSARILY MANUFACTURED BY THE ORIGINAL EQUIPMENT MANUFACTURER AND ANY REFERENCE TO THE TRADEMARKS OR PART NUMBERS OF OTHERS ARE FOR CROSS REFERENCE INFORMATIONAL PURPOSES ONLY. THE TRADEMARKS OF OTHERS REFERRED TO HEREIN ARE OWNED BY THEIR RESPECTIVE COMPANIES AND ARE NOT AFFILIATED IN ANY WAY WITH MIDWEST TRUCK & AUTO PARTS, INC.[®] MOTIVE GEAR[®] AND WORLD AMERICAN[®] ARE THE REGISTERED TRADEMARKS OF MIDWEST TRUCK & AUTO PARTS, INC.[®] USE OF THE [®] IN CONNECTION WITH A MARK OF MIDWEST TRUCK & AUTO PARTS, INC.[®] INDICATES THAT THE MARK IS REGISTERED IN AT LEAST THE UNITED STATES. NO REPRESENTATION IS MADE WITH RESPECT TO THE SOURCE OF MANUFACTURE OF ANY PARTICULAR PART. © 2005, MIDWEST TRUCK & AUTO PARTS, INC.[®] ALL RIGHTS RESERVED.

INTERNATIONAL®

RA474 FRONT - REAR AXLE

ITEM NO.	PART NO.	DESCRIPTION	QTY
63	595614C1	W/12.8 HI TTR-BRKT	1
	595613C2	W/15.5 HI TTR-BRKT	1
	595613C2	ORDER 595609C1 HSG AND 591407C4 TR-BRKT	
		W/2-BOLT TTR-BRKT W/O 2-BOLT BEAM HANGER BRKT	
		EXC RT461 SUSP	
1663957C1		W/O 12.8 HI TTR-BRKT	1
1668716C1		W/12.8 HI TTR-BRKT ORDER 1663957C1 HSG AND 595622C	1
		TTR-BRKT	
1677769C1		FOR RT461 SUSP ORDER 1663957C1 HSG AND 4-683738R1 SPACER	1
		W/2-BOLT BEAM HANGER BRKT	
1683727C1		W/O 12.8 17 HI TTR-BRKT	1
1683729C1		W/12.8 HI TTR-BRKT ORDER 1683727C1 HSG AND 595622C2	1
		TTR-TRBK	
2032 096C1		W/17 HI TTR-BRKT	1
1697110C1		FOR AIR SUSP	1
595715C1		FOR RT441 SUSP ORDER 595609C1 HSG AND 4-683738R1 SPACER	1
		INTL SUSP	
		R-SPG	
2502412C1		W/O ABS, ATC	1
2502412C1		W/ABS, ATC	1
1697110C1		AIR	1
		NEWAY® AIR SUSP	
1660703C1		W/O 2-BOLT TTR-BRKT ORDER 595609C1 HSG AND 595622C2 TTR-BRKT	1
		W/2-BOLT TTR-BRKT W/O 2-BOLT BEAM HANGER BRKT	
2015525C1		ORDER 2015366C1 HSG AND 595622C2 TTR-BRKT	1
		W/2-BOLT BEAM HANGER BRKT	
2027660C1		ORDER 1683727C1 HSG AND 595622C2 TTR-BRKT	1
		CHALMERS® SUSP BRACKET, TRANSVERSE TORQUE ROD	1
		12.8 IN.	1
		15.5 IN.	1
		PLUG, FILLER	
		W/O CODE 14WLD	1
		W/CODE 14WLD	1

ITEM NO.	PART NO.	DESCRIPTION	QTY
		PLUG, AXLE HSG	
	586049C1	MAGNETIC DRAIN	1
	586048C1	TEMP SENDER HOLE	1
	91916R91	BREATHER, AXLE HSG	1
	446839C1	GASKET, SILICONE 4.7 OZ. TUBE	1
64	464237C2	SHAFT, OUTPUT	1
65	210	@ BEARING, OUTPUT SHAFT BALL	1
66		SHIM, INTERAXLE DIFF. BRG	
	496276C1	.026 IN. THK	AR
	496277C1	.033 IN. THK	AR
	482040C1	.040 IN. THK	AR
	482041C1	.047 IN. THK	AR
	482042C1	.054 IN. THK	AR
	482043C1	.061 IN. THK	AR
	482044C1	.068 IN. THK	AR
	482045C1	.075 IN. THK	AR
67		DIFFERENTIAL, NO-SPIN™ NOTE: ITEM 67 REPLACES ITEMS 54 THRU 58 WHEN NO-SPIN™ DIFF. IS USED.	
		DIFFERENTIAL, STD PRE-COMMON WHEEL END 2-21/64 IN. X 22 SPLINES	
	991233C91	3.73-1 RATIO	
	991234C91	3.91-1 RATIO	
	991235C91	4.10-1 RATIO	
	991236C91	4.44-1 RATIO	
	991237C91	4.78-1 RATIO	
	991238C91	5.38-1 RATIO	
	991239C91	6.14-1 RATIO	
	991240C91	6.57-1 RATIO	
	991241C91	7.17-1 RATIO	
		COMMON WHEEL END 2-3/8 IN. X 46 SPLINES	
	1695375C91	3.54-1 RATIO	
	1695376C91	3.73-1 RATIO	
	1695377C91	3.91-1 RATIO	
	1695378C91	4.10-1 RATIO	
	1695379C91	4.44-1 RATIO	
	1695380C91	4.78-1 RATIO	
	1695381C91	5.38-1 RATIO	
	1695382C91	6.14-1 RATIO	
	1695383C91	6.57-1 RATIO	
	1695384C91	7.17-1 RATIO	
	2500823C91	5.63-1 RATIO	
		FOR NO-SPIN™ APPLICATIONS, ORDER STD DIFF. AND ITEM NO. 67	

PARTS LISTED IN THIS CATALOG ARE NOT NECESSARILY MANUFACTURED BY THE ORIGINAL EQUIPMENT MANUFACTURER AND ANY REFERENCE TO THE TRADEMARKS OR PART NUMBERS OF OTHERS ARE FOR CROSS REFERENCE INFORMATIONAL PURPOSES ONLY. THE TRADEMARKS OF OTHERS REFERRED TO HEREIN ARE OWNED BY THEIR RESPECTIVE COMPANIES AND ARE NOT AFFILIATED IN ANY WAY WITH MIDWEST TRUCK & AUTO PARTS, INC.® MOTIVE GEAR® AND WORLD AMERICAN® ARE THE REGISTERED TRADEMARKS OF MIDWEST TRUCK & AUTO PARTS, INC.® USE OF THE ® IN CONNECTION WITH A MARK OF MIDWEST TRUCK & AUTO PARTS, INC.® INDICATES THAT THE MARK IS REGISTERED IN AT LEAST THE UNITED STATES. NO REPRESENTATION IS MADE WITH RESPECT TO THE SOURCE OF MANUFACTURE OF ANY PARTICULAR PART. © 2005, MIDWEST TRUCK & AUTO PARTS, INC.® ALL RIGHTS RESERVED.

INTERNATIONAL®

RA474 FRONT - REAR AXLE

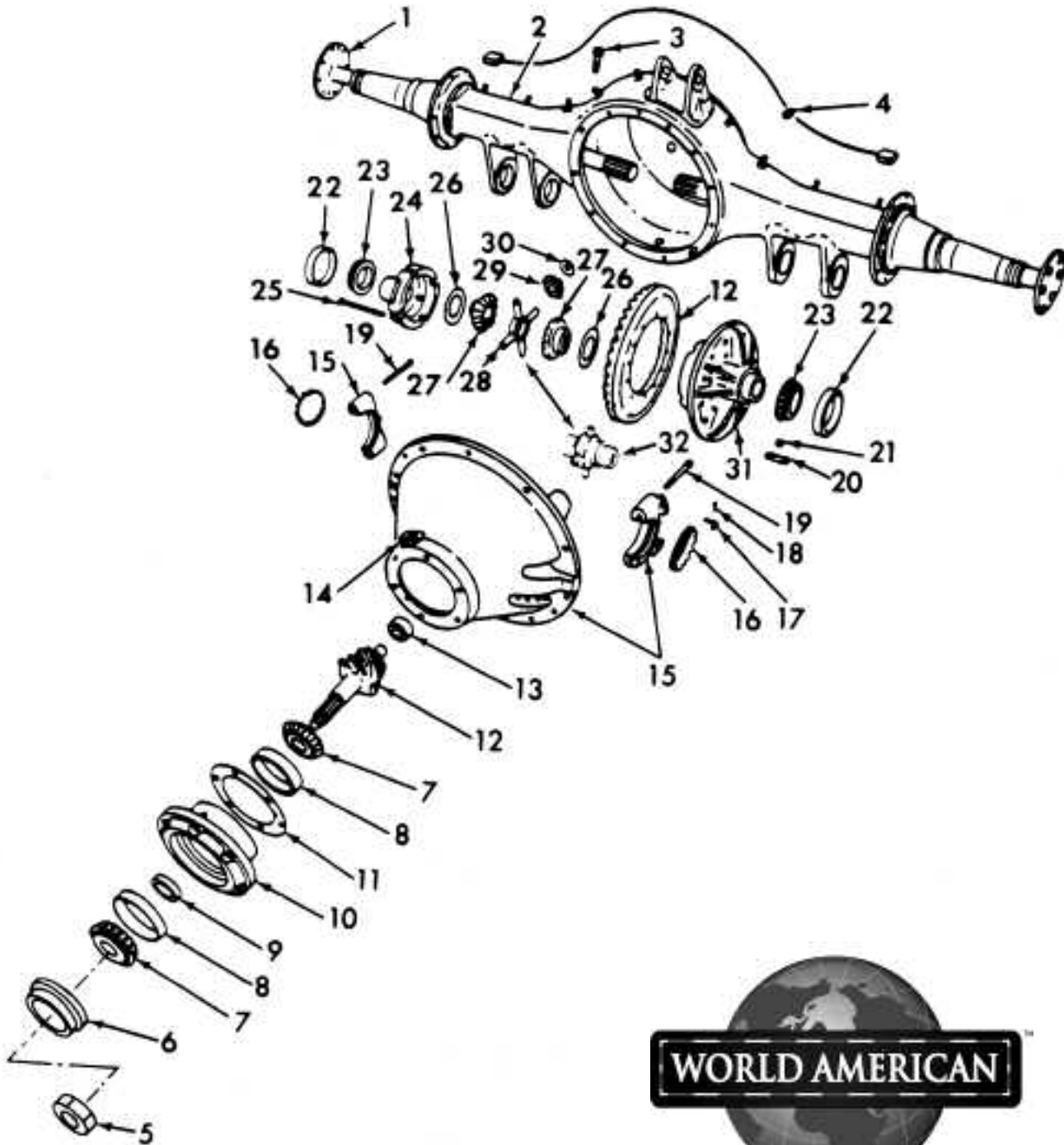
ITEM NO.	PART NO.	DESCRIPTION
		// SEE DIFF. CASE LISTING WHEN CHANGING RATIO
	#	CASE, DIFF. W/BOLTS
586703C91	#	3.54-1 RATIO
493206C91	#	3.73 THRU 4.44-1 RATIOS
493207C91	#	4.78 THRU 7.17-1 RATIOS
493198C91	▲	GEAR SET, DIFF. SIDE AND PINION 2-21/64 IN. X 22 SPLINES PRE-COMMON WHEEL END
585707C91	▲	2-3/8 IN. X 46 SPLINES COMMON WHEEL END
493200C91	&	GEAR SET, INTERAXLE DIFF. SIDE AND PINION
578500C91	▶	KIT, INTERAXLE DIFF. W/HSG PRIOR TO 7/1/93
1695389C91	/	KIT, INTERAXLE DIFF. 7/1/93 AND LATER
RA201FR	@	BRG AND SEAL KIT
1697352C91	&&	KIT, RING GEAR BOLT AND NUT
		BREAKDOWN - N/A
1685359C91	@@	KIT, BOLT AND STUD



PARTS LISTED IN THIS CATALOG ARE NOT NECESSARILY MANUFACTURED BY THE ORIGINAL EQUIPMENT MANUFACTURER AND ANY REFERENCE TO THE TRADEMARKS OR PART NUMBERS OF OTHERS ARE FOR CROSS REFERENCE INFORMATIONAL PURPOSES ONLY. THE TRADEMARKS OF OTHERS REFERRED TO HEREIN ARE OWNED BY THEIR RESPECTIVE COMPANIES AND ARE NOT AFFILIATED IN ANY WAY WITH MIDWEST TRUCK & AUTO PARTS, INC.® MOTIVE GEAR® AND WORLD AMERICAN® ARE THE REGISTERED TRADEMARKS OF MIDWEST TRUCK & AUTO PARTS, INC.® USE OF THE ® IN CONNECTION WITH A MARK OF MIDWEST TRUCK & AUTO PARTS, INC.® INDICATES THAT THE MARK IS REGISTERED IN AT LEAST THE UNITED STATES. NO REPRESENTATION IS MADE WITH RESPECT TO THE SOURCE OF MANUFACTURE OF ANY PARTICULAR PART. © 2005, MIDWEST TRUCK & AUTO PARTS, INC.® ALL RIGHTS RESERVED.

INTERNATIONAL[®]

RA474 REAR - REAR AXLE



PARTS LISTED IN THIS CATALOG ARE NOT NECESSARILY MANUFACTURED BY THE ORIGINAL EQUIPMENT MANUFACTURER AND ANY REFERENCE TO THE TRADEMARKS OR PART NUMBERS OF OTHERS ARE FOR CROSS REFERENCE INFORMATIONAL PURPOSES ONLY. THE TRADEMARKS OF OTHERS REFERRED TO HEREIN ARE OWNED BY THEIR RESPECTIVE COMPANIES AND ARE NOT AFFILIATED IN ANY WAY WITH MIDWEST TRUCK & AUTO PARTS, INC.[®] MOTIVE GEAR[®] AND WORLD AMERICAN[®] ARE THE REGISTERED TRADEMARKS OF MIDWEST TRUCK & AUTO PARTS, INC.[®] USE OF THE [®] IN CONNECTION WITH A MARK OF MIDWEST TRUCK & AUTO PARTS, INC.[®] INDICATES THAT THE MARK IS REGISTERED IN AT LEAST THE UNITED STATES. NO REPRESENTATION IS MADE WITH RESPECT TO THE SOURCE OF MANUFACTURE OF ANY PARTICULAR PART. © 2005, MIDWEST TRUCK & AUTO PARTS, INC.[®] ALL RIGHTS RESERVED.

INTERNATIONAL®

RA474 REAR - REAR AXLE

ITEM NO.	PART NO.	DESCRIPTION	QTY
1	161087R2	AXLE, REAR REAR	2
		INTL/DANA® 2460S	
		46000 LB. SGL-RED	
		SHAFT, AXLE	
		2-21/64 IN. X 22 SPLINES	
		PRE-COMMON WHEEL END	
		2-3/8 IN. X 46 SPLINES	
		COMMON WHEEL END	
		EXC CODE 844004	
		FOR CODE 844004	
	571351C2	EXC CODE 844004	2
	1654168C1	FOR CODE 844004	2
		STUD, WHEEL FLG	16
	9412368	NUT, HEX LK	16
	144423H	3/4	16
		5/8	16
		FOR CODE 844004	
	54700R1	BUSHING, AXLE SHAFT FLG	16
		FOR CODE 844004	
	895493R2	GASKET, AXLE SHAFT FLG	2
	56152R2	EXC CODE 844004	
		FOR CODE 844004	
	2		HOUSING, AXLE
		PRE-COMMON WHEEL END	
	495033C2	INTL 4-SPG SUSP	1
	497883C2	INTL AIR SUSP	1
		HEND® SUSP	1
		STANDARD	
		RT441 SUSP	1
		RE-ORDER 464243C92	
		AND 683738R1	
	501174C92	TTR-BRKT	1
		COMMON WHEEL END	
		INTL SUSP	
	1686120C1	4-SPG	1
		AIR	
	1686121C1	W/O ABS BLOCKS	1
	1686121C1	W/ABS BLOCKS	1
		HEND® SUSP	12
		W/O 2-BOLT TTR-BRKT	
		EXC AIR SUSP	
		RT441 SUSP	
	595616C1	W/O 12.8, 15.5 HI	
		TTR-BRKT	
	595621C1	W/12.8 TTR-BRKT	1
	595620C2	W/15.5 TTR-BRKT	1
	595716C1	FOR RT441 SUSP	1
		RE-ORDER 595616C1	
		HSG AND 4PCS	
		683738R1 SPACER	
		FOR AIR SUSP	
	1686121C1	W/O ABS BLOCKS	1
	1686121C1	W/ABS BLOCKS	1
		W/2-BOLT TTR-BRKT	1
		W/O 2-BOLT BEAM	
		HANGER BRACKET	
		W/O RT461 SUSP	
	1663958C1	W/O 12.8 HI TTR-BRKT	1

ITEM NO.	PART NO.	DESCRIPTION	QTY
	1668717C1	W/12.8 HI TTR-BRKT	1
	1677770C1	W/RT461 SUSP	1
		W/2-BOLT BEAM HANGER	
		BRACKET	
	1699214C1	W/O 12.8, 17 HI	1
		TTR-BRK	
	1683730C1	W/12.8 HI TTR-BRKT	1
	2032097C1	W/17 HI TTR-BRKT	1
		NEWAY® AIR SUSP	1
		EXC CODE 14677	
	1660704C1	EXC 8.75 RIDE HEIGHT	1
	2015526C1	FOR 8.75 RIDE HEIGHT	1
	1654220C91	FOR CODE 14677	1
	1516332C1	CHALMERS® AIR SUSP	
	586048C1	PLUG, TEMP SENDER HOLE	1
3	91916R91	BREATHER, AXLE HSG VENT	1
4	586049C1	PLUG, MAGNETIC PIPE DRAIN	1
5	440302C1	NUT, COMPANION FLG	1
	390362R1	WASHER, COMPANION FLG NUT	1
6		@ SEAL, PINION OIL	
	710008	PRIOR TO 7/15/91	1
	1691143C2	U/15/91 AND LATER	1
	892790R1	SPACER, PINION BRG -OTR-	1
		.375 IN. THK	
7		@ BEARING, PINION CONE	
	H715343	INNER	1
	HM813844	OUTER	1
8		@ BEARING, PINION CUP	
	H715311	INNER	1
	HM813810	OUTER	1
9		SPACER, PINION INNER BRG	
	1651818C1	.894 IN. THK	AR
	1651819C1	.896 IN. THK	AR
	1651820C1	.898 IN. THK	AR
	1651821C1	.900 IN. THK	AR
	1651822C1	.902 IN. THK	AR
	1651823C1	.904 IN. THK	AR
	1651824C1	.906 IN. THK	AR
	1651825C1	.908 IN. THK	AR
	1651826C1	.910 IN. THK	AR
	1693399C1	.911 IN. THK	AR
	1693400C1	.916 IN. THK	AR
10	482782C91	CAGE, W/CUPS, PINION BRG	1
	1691247C1	BOLT, CAGE TO CARR	6
11		SHIM, PINION BRG CAGE	
	966191R2	.005 IN. THK	AR
	161070R2	.010 IN. THK	AR
12		// GEAR SET, RING AND PINION	
	597247C91	3.54-1 RATIO	1
	597248C91	3.73-1 RATIO	1
	597249C91	3.91-1 RATIO	1
	597250C91	4.10-1 RATIO	1
	597251C91	4.44-1 RATIO	1
	597252C91	4.78-1 RATIO	1
	597253C91	5.38-1 RATIO	1
	1698376C91	5.63-1 RATIO	1
	597254C91	6.14-1 RATIO	1

PARTS LISTED IN THIS CATALOG ARE NOT NECESSARILY MANUFACTURED BY THE ORIGINAL EQUIPMENT MANUFACTURER AND ANY REFERENCE TO THE TRADEMARKS OR PART NUMBERS OF OTHERS ARE FOR CROSS REFERENCE INFORMATIONAL PURPOSES ONLY. THE TRADEMARKS OF OTHERS REFERRED TO HEREIN ARE OWNED BY THEIR RESPECTIVE COMPANIES AND ARE NOT AFFILIATED IN ANY WAY WITH MIDWEST TRUCK & AUTO PARTS, INC.® MOTIVE GEAR® AND WORLD AMERICAN® ARE THE REGISTERED TRADEMARKS OF MIDWEST TRUCK & AUTO PARTS, INC.® USE OF THE ® IN CONNECTION WITH A MARK OF MIDWEST TRUCK & AUTO PARTS, INC.® INDICATES THAT THE MARK IS REGISTERED IN AT LEAST THE UNITED STATES. NO REPRESENTATION IS MADE WITH RESPECT TO THE SOURCE OF MANUFACTURE OF ANY PARTICULAR PART. © 2005, MIDWEST TRUCK & AUTO PARTS, INC.® ALL RIGHTS RESERVED.

INTERNATIONAL[®]

RA474 REAR - REAR AXLE

ITEM NO.	PART NO.	DESCRIPTION	QTY
	597255C91	6.57-1 RATIO	1
	597256C91	7.17-1 RATIO	1
	1697352C91	KIT, BOLT	1
13	MU1308UM	@ BEARING, PINION PILOT	1
14	586045C1	PLUG, PIPE SQ-SOCKET 3/4 FILLER	1
15	451918C92	CARRIER, W/CAPS, DIFF. BOLT, FLG HEX-HD 5/8UNC X 1-3/4 IN.	1
	1691150C1	1-3/4 IN.	10
	1691151C1	2-3/4 IN.	2
	5/8 R	WASHER, LK 5/8	12
	446839C1	GASKET, SILICONE 4.7 OZ. TUBE	1
		▶ STUD, CARR TO HSG	4
		▶ WASHER, FL	12
		▶ NUT, HEX	4
16	161066R2	ADJUSTER, DIFF. BRG	2
17	157491R2	LOCK, DIFF. BRG ADJ	2
18	3/16 X 1 P	PIN, COTTER 3/16 X 1 IN.	2
19	24896R1	BOLT, DIFF. BRG CAP	4
	25712R1	WASHER, DIFF. BRG CAP BOLT	4
20	161060R1	RIVET, RING GEAR TO DIFF. CASE	12
21	274639	# NUT, DIFF. CASE BOLT 5/8NF IN.	8
22	56650	@ BEARING, DIFF. CUP	2
23	56425	@ BEARING, DIFF. CONE	2
24	161080R3	# CASE, DIFF. PL HALF	1
25		# BOLT, DIFF. CASE	
	1691250C1	3.54-1 RATIO	8
	1691249C1	3.73 THRU 4.44-1 RATIOS	8
	1691248C1	4.78 THRU 7.17-1 RATIOS	8
26	161064R1	▲ WASHER, SIDE GEAR THRUST	2
27	161078R2	▲ GEAR, DIFF. SIDE - 22 SPL.	2
28	161069R3	▲ SPIDER, DIFF. 46 SPL.	1
	571356C1		
29	161042R3	▲ GEAR, DIFF. PINION	4
30	161061R2	▲ WASHER, PINION GEAR THRUST	4
31		# CASE, DIFF. FLG HALF	
	584284C1	3.54-1 RATIO	1
	208523R5	3.73 THRU 4.44-1 RATIOS	1
	161091R5	4.78 THRU 7.17-1 RATIOS	1
	336247C2	SCOOP, OIL	1
	25752R1	BOLT, HEX-HD 1/4UNC X 1/2 IN.	2
32		DIFFERENTIAL, NO-SPIN™ 2-3/8 IN. X 46 SPLINES COMMON WHEEL END NOTE: ITEM 32 REPLACES ITEMS 26 THRU 30 WHEN NO-SPIN™ DIFF IS USED.	1
		DIFFERENTIAL, STD 2-21/64 IN. X 22 SPLINES PRE-COMMON WHEEL END	
	459907C94	3.73-1 RATIO	
	459908C94	3.91-1 RATIO	
	459909C94	4.10-1 RATIO	
32	459910C94	4.44-1 RATIO	

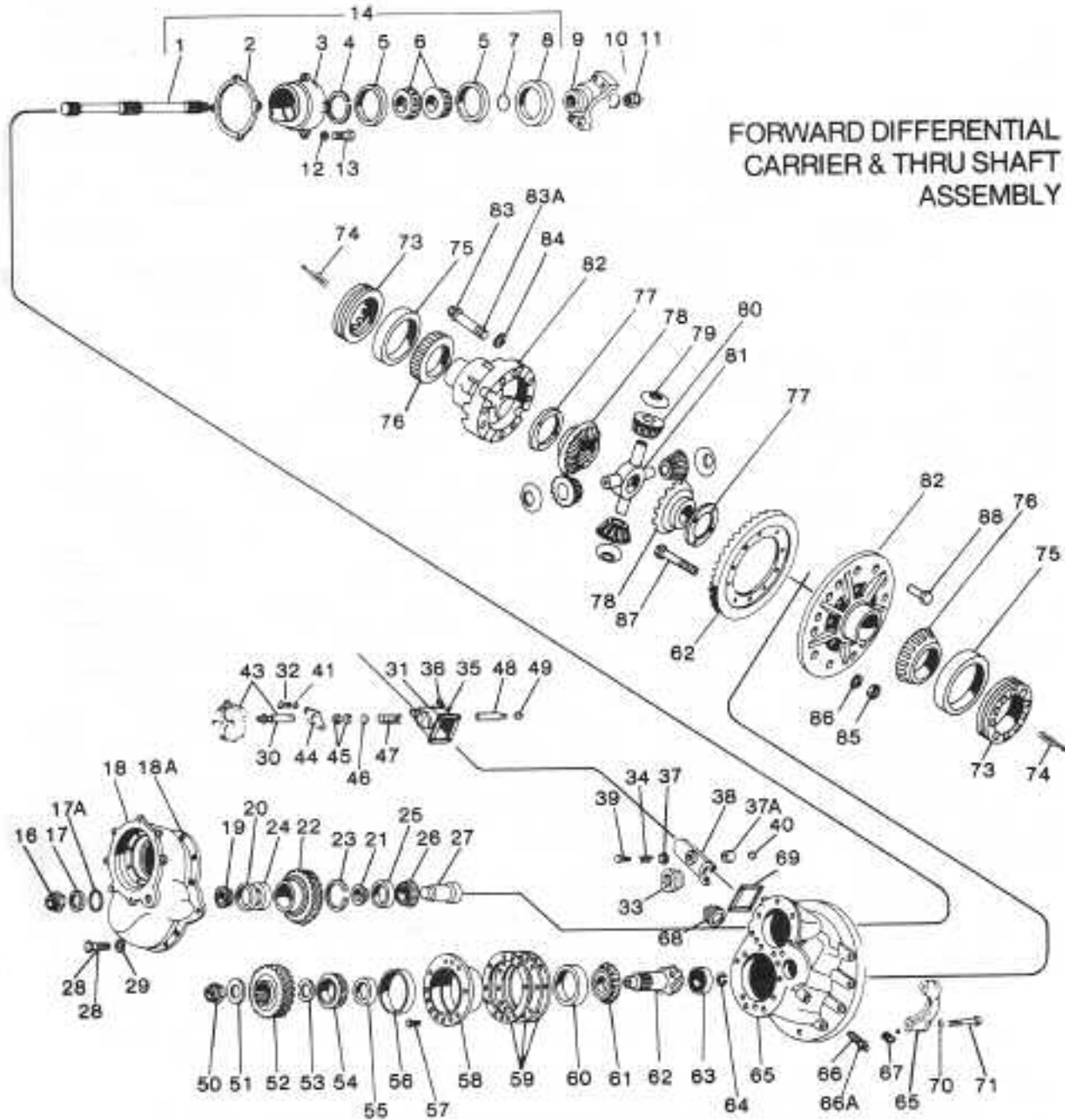
ITEM NO.	PART NO.	DESCRIPTION	QTY
	459911C94	4.78-1 RATIO	
	459912C94	5.38-1 RATIO	
	459913C94	6.14-1 RATIO	
	459914C94	6.57-1 RATIO	
	459915C94	7.17-1 RATIO	
		DIFFERENTIAL, STD 2-3/8 IN. X 46 SPLINES COMMON WHEEL END	
	584287C92	3.54-1 RATIO	
	574512C92	3.73-1 RATIO	
	574513C92	3.91-1 RATIO	
	574514C92	4.10-1 RATIO	
	574515C92	4.44-1 RATIO	
	574516C92	4.78-1 RATIO	
	574517C92	5.38-1 RATIO	
	2500824C91	5.63-1 RATIO	
	574518C92	6.14-1 RATIO	
	574519C92	6.57-1 RATIO	
	574520C92	7.17-1 RATIO	
		// SEE DIFF. CASE LISTING WHEN CHANGING RATIOS.	
		# CASE, DIFF. W/BOLTS AND NUTS	
	586703C91	3.54-1 RATIO	
	493206C91	3.71 THRU 4.44-1 RATIOS	
	493207C91	4.78 THRU 7.17-1 RATIOS	
		▲ GEAR SET, DIFF. SIDE AND PINION	
	493198C91	2-21/64 IN. X 22 SPLINES PRE-COMMON WHEEL END	
	585707C91	2-3/8 IN. X 46 SPLINES COMMON WHEEL END	
	RA201RR	@ BRG AND SEAL KIT	
	1685359C91	▶ KIT, BOLT AND STUD	

**Ask About World American™
OE Quality Clutch Kits**

PARTS LISTED IN THIS CATALOG ARE NOT NECESSARILY MANUFACTURED BY THE ORIGINAL EQUIPMENT MANUFACTURER AND ANY REFERENCE TO THE TRADEMARKS OR PART NUMBERS OF OTHERS ARE FOR CROSS REFERENCE INFORMATIONAL PURPOSES ONLY. THE TRADEMARKS OF OTHERS REFERRED TO HEREIN ARE OWNED BY THEIR RESPECTIVE COMPANIES AND ARE NOT AFFILIATED IN ANY WAY WITH MIDWEST TRUCK & AUTO PARTS, INC.® MOTIVE GEAR® AND WORLD AMERICAN® ARE THE REGISTERED TRADEMARKS OF MIDWEST TRUCK & AUTO PARTS, INC.® USE OF THE ® IN CONNECTION WITH A MARK OF MIDWEST TRUCK & AUTO PARTS, INC.® INDICATES THAT THE MARK IS REGISTERED IN AT LEAST THE UNITED STATES. NO REPRESENTATION IS MADE WITH RESPECT TO THE SOURCE OF MANUFACTURE OF ANY PARTICULAR PART. © 2005, MIDWEST TRUCK & AUTO PARTS, INC.® ALL RIGHTS RESERVED.

ROCKWELL®

SL/SQHD FORWARD-REAR



PARTS LISTED IN THIS CATALOG ARE NOT NECESSARILY MANUFACTURED BY THE ORIGINAL EQUIPMENT MANUFACTURER AND ANY REFERENCE TO THE TRADEMARKS OR PART NUMBERS OF OTHERS ARE FOR CROSS REFERENCE INFORMATIONAL PURPOSES ONLY. THE TRADEMARKS OF OTHERS REFERRED TO HEREIN ARE OWNED BY THEIR RESPECTIVE COMPANIES AND ARE NOT AFFILIATED IN ANY WAY WITH MIDWEST TRUCK & AUTO PARTS, INC.® MOTIVE GEAR® AND WORLD AMERICAN® ARE THE REGISTERED TRADEMARKS OF MIDWEST TRUCK & AUTO PARTS, INC.® USE OF THE ® IN CONNECTION WITH A MARK OF MIDWEST TRUCK & AUTO PARTS, INC.® INDICATES THAT THE MARK IS REGISTERED IN AT LEAST THE UNITED STATES. NO REPRESENTATION IS MADE WITH RESPECT TO THE SOURCE OF MANUFACTURE OF ANY PARTICULAR PART. © 2005, MIDWEST TRUCK & AUTO PARTS, INC.® ALL RIGHTS RESERVED.

ROCKWELL®

SL/SQHD FORWARD-REAR

ITEM	DESCRIPTION	QTY	PART NO.	REMARKS
	Bearing, Seal & Gasket Kit		RA900FR	
1	Thru Shaft	1	A3880K921	Includes Item 11
2	Gasket	1	2208C445	
3, 5	Rear Bearing Cage & Cup Assy	1	A3226Q537	
1, 3, 4, 5, 6, 7, 8, 12	Rear Bearing Cage, oil seal, thru shaft, bearing & snap ring assy	1	A1-3226Q537	
4	Snap Ring - Thru Shaft	As req.		CALL YOUR SALES REP
5	Bearing Cup	2	LM603011	
6	Bearing Cone	2	LM603049	
7	Snap Ring - Thru Shaft	1	1829A859	
8	Oil Seal Assy - Thru Shaft	1	475322N	
9	Yoke Assy - Thru Shaft (Output)	1		CALL YOUR SALES REP
10	Washer - Thru Shaft	1	1229A2653	
11	Nut - Thru Shaft	1	1227Z936	
12	Washer - Thru Shaft Cage	4	1229K1597	
13	Capscrew - Thru Shaft Cage	4	S268-2	
14	KIT (pre-assembled)	1	USE MPS 1842	
16	Nut - Idler Gear Shaft	1	1227Z936	
17	Washer - Idler Gear Shaft	1	1229A2653	
17A	"O" Ring - Idler Gear Shaft	1	2208U463	
18	Case - Adapter (case only)	1	3280Y3977	
16, 17, 17A, 18, 20, 22, 23, 24, 25	Adapter Case & Idler Gear Assy	1	A3280Y3977	
18A	Gasket - Adapter Case (Silastic)	3 oz.	1199T3842	
19	Front Bearing Cone	1	31597	
20	Front Bearing Cup	1	31520	
21	Spacers - Front Bearing	As req.		CALL YOUR SALES REP
19, 20, 21, 22, 23, 24, 25	Idler Gear, bearing & spacer assy.	1	A1-3892D1824	
20, 22, 23, 24, 25	Idler Gear, bearing cup, spacer & ring assy.	1	A3892D1824	
23	Snap Ring - Idler Gear Bearing	1	1229N1470	
24	Spacer - Idler Gear Bearing	1	1244X726	
25	Rear Bearing Cup	1	31520	
26	Rear Bearing Cone	1	31597	
27	Shaft - Idler Gear	1	3280P2226	
28	Capscrew (Long)	2	SP1035	
	adapter case (Short)	8	S2812-2	Aluminum carriers
	(Short)	8	S2811-2	Malleable carriers
29	Washer - Adapter Case	10	1229C1511	
30~	Shift Shaft - Inter-axle	1	2297N768	Part of Item 43
31	Housing - Shift Shaft	1	3280D2526	
32	Capscrew - Shift Shaft Hsg. Mtg.	2	S268-2	
33	Collar - Shift Lock	1	3280X2520	
34	Spring - Shift Fork	1	2258G397	
35	Washer - Shift Hsg. Mtg.	4	WA-16	
36	Capscrew - Shift Hsg. Mtg.	4	S268-2	
37	Washer - Shift Fork Seat	1	1229M1599	
37A	Ball - Shift Fork Lock	1	1199V1712	
38	Shift Fork Assy.	1	A2297E811	
39	Bolt - Shift Fork	1	15X1306	
40	Nut - Shift Fork	1	NL-16-1	
41	Washer - Shift Shaft Chamber Mtg.	2	1229B1666	
30~, 41	Shift Chamber & Hsg. Assy. (complete)	1	A1-3280D2526	
43, 30~	Air Chamber & Shift Shaft Assy.	1	A3261C289	
44	Gasket - Shift Shaft Housing	1	2208M429	

~ = Not serviced separately.

PARTS LISTED IN THIS CATALOG ARE NOT NECESSARILY MANUFACTURED BY THE ORIGINAL EQUIPMENT MANUFACTURER AND ANY REFERENCE TO THE TRADEMARKS OR PART NUMBERS OF OTHERS ARE FOR CROSS REFERENCE INFORMATIONAL PURPOSES ONLY. THE TRADEMARKS OF OTHERS REFERRED TO HEREIN ARE OWNED BY THEIR RESPECTIVE COMPANIES AND ARE NOT AFFILIATED IN ANY WAY WITH MIDWEST TRUCK & AUTO PARTS, INC.® MOTIVE GEAR® AND WORLD AMERICAN® ARE THE REGISTERED TRADEMARKS OF MIDWEST TRUCK & AUTO PARTS, INC.® USE OF THE ® IN CONNECTION WITH A MARK OF MIDWEST TRUCK & AUTO PARTS, INC.® INDICATES THAT THE MARK IS REGISTERED IN AT LEAST THE UNITED STATES. NO REPRESENTATION IS MADE WITH RESPECT TO THE SOURCE OF MANUFACTURE OF ANY PARTICULAR PART. © 2005, MIDWEST TRUCK & AUTO PARTS, INC.® ALL RIGHTS RESERVED.

ROCKWELL®

SL/SQHD FORWARD-REAR (Cont'd)

ITEM	DESCRIPTION	QTY	PART NO.	REMARKS
45	Snap Ring - Shift Shaft	2	1229W1245	
46	Washer - Shift Shaft	1	1229R798	
47	Spring - Shift Chamber	1	2258U411	
48	Adjusting Bolt - Shift Chamber	1	15X851	
49	Nut - Shift Chamber Adjusting Bolt	1	13X163	
50	Nut-Drive Pinion	1	1227N898	
51	Washer - Drive Pinion Nut	1	1229N1730	
52, 50	Driven drop box gear & drive pinion nut assy.	1	A3892S4517 3892C4735 ^^	USED IN KIT 349 USED IN KIT 2117
53	Spacer-pinion bearing	1	1229S1449	Use with these ratios only: 3.55, 3.70, 3.90, 4.11, 4.33, 4.44, 4.63, 5.29, 5.83
54	Cone - Outer Bearing	1	72200C	
55	Spacer - Forward Bearing	As req.		CALL YOUR SALES REP
56	Cup - Outer Bearing	1	72487	
57	Capscrew - Pinion Bearing Cage	8	10X1027	Malleable carriers
		8	10X1028	Aluminum carriers
58	Drive Pinion Cage & Cup Assy.	1	A3226A131	
59	Shim	1	2203L7448	
	.003	3	2203K7447	
	.010	4	2203J7446	
	Shim	1	2203T8366	Use with these ratios only: 4.88, 6.17, 6.83, 7.20, 7.80, 8.60
60	Cup - Inner Bearing	1	72487	
61	Cone - Inner Bearing	1	72200C	
62~	Drive Gear & Pinion Assy.	1	See Page 105	
63	Bearing - Drive Pinion Rear	1	RU1570UM	
64	Lock Ring - Drive Pinion	1	1229A1301	
65~, 70, 71	Differential Carrier & Cap Assy.	1	A2-3200T800 A3-3200U801	Malleable Aluminum
66	Thrust Screw - Drive Gear	1	15X1025	
66A	Nut - Thrust Screw - Drive Gear	1	13X41	
67	Plug - Oil Inspection	1	1850T150	
68	Plug - Oil Filler Hole	1	P212	
69	Gasket - Shift Housing	1	2208D446	
70	Washer - Bearing Cap	4	1229V1556	
71	Capscrew - Bearing Cap	4	S21238-1	Malleable carriers
		4	10X1021	Aluminum carriers
77, 78, 79, 80, 81, 82~, 83, 84	Differential Case & Nest Assy.	1	B11-3235U619 #	Standard ratio
		1	A87-3235V620 #	Fast ratio
		1	B5-3235U619 ##	Standard ratio
		1	A84-3235V620 ##	Fast ratio
82~, 83, 84	Differential Case Assy.	1	B3-3235U619	Standard ratio
		1	A83-3235V620	Fast ratio
73	Adjusting Ring - Diff. Bearing	2	2214G215	
74	Cotter Pin Lock-Adjusting Ring	2	1199R2176	
75	Differential Bearing Cup	2	493	
76	Bearing - Cone	2	496	Standard ratio
		1	497	Fast ratio
77	Thrust Washer - Side Gear	2	1229T1034	
78	Side Gear Differential	2	2234X310 #	(2" - 21 Spline)
		2	2234X700 ##	(2-1/8" - 22 Spline)
79	Thrust Washer - Pinion	4	1229R1032	
80	Pinion - Differential	4	2233U151	
81	Spider - Differential	1	3278S305	

~ = Not serviced separately.

^^ = New gear - not interchangeable with A3892S4517 gear.

= SLHD Only

= SQHD Only

PARTS LISTED IN THIS CATALOG ARE NOT NECESSARILY MANUFACTURED BY THE ORIGINAL EQUIPMENT MANUFACTURER AND ANY REFERENCE TO THE TRADEMARKS OR PART NUMBERS OF OTHERS ARE FOR CROSS REFERENCE INFORMATIONAL PURPOSES ONLY. THE TRADEMARKS OF OTHERS REFERRED TO HEREIN ARE OWNED BY THEIR RESPECTIVE COMPANIES AND ARE NOT AFFILIATED IN ANY WAY WITH MIDWEST TRUCK & AUTO PARTS, INC.® MOTIVE GEAR® AND WORLD AMERICAN® ARE THE REGISTERED TRADEMARKS OF MIDWEST TRUCK & AUTO PARTS, INC.® USE OF THE ® IN CONNECTION WITH A MARK OF MIDWEST TRUCK & AUTO PARTS, INC.® INDICATES THAT THE MARK IS REGISTERED IN AT LEAST THE UNITED STATES. NO REPRESENTATION IS MADE WITH RESPECT TO THE SOURCE OF MANUFACTURE OF ANY PARTICULAR PART. © 2005, MIDWEST TRUCK & AUTO PARTS, INC.® ALL RIGHTS RESERVED.

ROCKWELL®

SL/SQHD FORWARD-REAR (Cont'd)

ITEM	DESCRIPTION	QTY	PART NO.	REMARKS
83	Bolt - Differential Case	16	S2826P-1	
84	Washer - Differential case	16	1229C1511	
85	Nut - Gear to case	12	NL110-1	USED IN KIT 570
86	Washer - Gear to case	12	1229U1503	
87	Bolt - Gear to case (bolted version)	12	15X1523	
88	Rivet - Gear to case (riveted version)	12	RV71013	
89	Nut - Input Yoke	1	1227J946	1-1/2" X 12 Course Thread
90	Yoke - Input Shaft	1		CALL YOUR SALES REP
91	Oil Seal Assy.	1	4563V	
92	Snap Ring	1	1229P1446	
93	Bearing - Front radial ball	1	211B	
94	Capscrew - Inter-axle housing	8	S2711-1	
95	Washer - Inter-axle housing	8	1229E1513	
96	Plug - Oil Filter	1	P212	
96A	Plug - Oil Drain	1	1850T150	
97	Housing - Inter-axle differential	1	3280V2518	Malleable carriers
		1	3280Y2573	Aluminum carriers
97A	Gasket - Inter-axle diff. housing (Silastic)	3 oz.	1199T3842	
91, 92, 93, 97	Housing Assy. Inter-axle diff.	1	A3280V2518	Malleable carriers
91, 92, 93, 97	Housing Assy. Inter-axle diff.	1	A3280Y2573	Aluminum case
98	Capscrew - Inter-axle diff. case	8	S2824A-1	
98A	Thread locking liquid/diff. case	1	2297C3747	34 oz. tube - SEE NOTE BELOW.
99	Spacer - Bearing	1	1244Y701	
89, 100, 110	Inter-axle diff. case assy.	1	A2-3235T1528	
89, 98, 100~, 101, 102, 103, 104, 105, 106, 107, 110	Inter-axle diff. case & nest assy. (Complete)	1	A1-3235T1528	
101	Thrust Washer - Forward side gear	1	1229J1622	
102	Side gear - forward	1	2234M325	
103	Side gear - rear	1	2234B340	
104	Spider - differential	1	3278M91	Available as KIT 2356
105	Pinion - differential	4	2233A105	
106	Thrust Washer - pinion	4	1229Q2877	
107	Thrust Washer - rear side gear	1	1229G1619	
108	Capscrew - Bearing Cage	6	S267-1	
109~	Cage - Bearing	1	3226F708	
109, 112	Cage & Cup Assy - Bearing	1	A3226F708	
110	Bushing - Bearing Cage	1	1225V880	Bronze
111	Shim - Bearing Cage	4	2203R3008	
		1	2203S3009	
112	Cup - front bearing	1	29630	
113	Cone - front bearing	1	29675	
114	Drive Gear - Inter-axle	1	3892P2044	
115	Cone - rear bearing	1	29675	
116	Cup - rear bearing	1	29630	

~ = Not serviced separately.

NOTE: THREAD LOCKING LIQUID/DIFFERENTIAL CASE HALVES

When assembling differential case halves in Rockwell International® axles, a thread locking adhesive should be used. The recommended procedure is as follows:

1. Wipe excess oil and residue from the threaded holes in the case. The holes should be relatively oil-free.
2. If **new bolts** are used, a yellow coating of Dri-Loc™ should appear on the threads. Assemble the case with these coated bolts to the required torque.
3. If the **original** bolts are reused or **regular bolts** without Dri-Loc™ are used, Rockwell® Part No. 2297C3747 should be used as a thread locking adhesive. **Apply the adhesive to the differential case holes only.** Thread the bolts and tighten to the required torque.

IMPORTANT: Do not apply Rockwell® Part No. 2297C3747 to Dri-Loc™ coated bolts. Refer to Rockwell® Service.

PARTS LISTED IN THIS CATALOG ARE NOT NECESSARILY MANUFACTURED BY THE ORIGINAL EQUIPMENT MANUFACTURER AND ANY REFERENCE TO THE TRADEMARKS OR PART NUMBERS OF OTHERS ARE FOR CROSS REFERENCE INFORMATIONAL PURPOSES ONLY. THE TRADEMARKS OF OTHERS REFERRED TO HEREIN ARE OWNED BY THEIR RESPECTIVE COMPANIES AND ARE NOT AFFILIATED IN ANY WAY WITH MIDWEST TRUCK & AUTO PARTS, INC.® MOTIVE GEAR® AND WORLD AMERICAN® ARE THE REGISTERED TRADEMARKS OF MIDWEST TRUCK & AUTO PARTS, INC.® USE OF THE ® IN CONNECTION WITH A MARK OF MIDWEST TRUCK & AUTO PARTS, INC.® INDICATES THAT THE MARK IS REGISTERED IN AT LEAST THE UNITED STATES. NO REPRESENTATION IS MADE WITH RESPECT TO THE SOURCE OF MANUFACTURE OF ANY PARTICULAR PART. © 2005, MIDWEST TRUCK & AUTO PARTS, INC.® ALL RIGHTS RESERVED.

ROCKWELL®

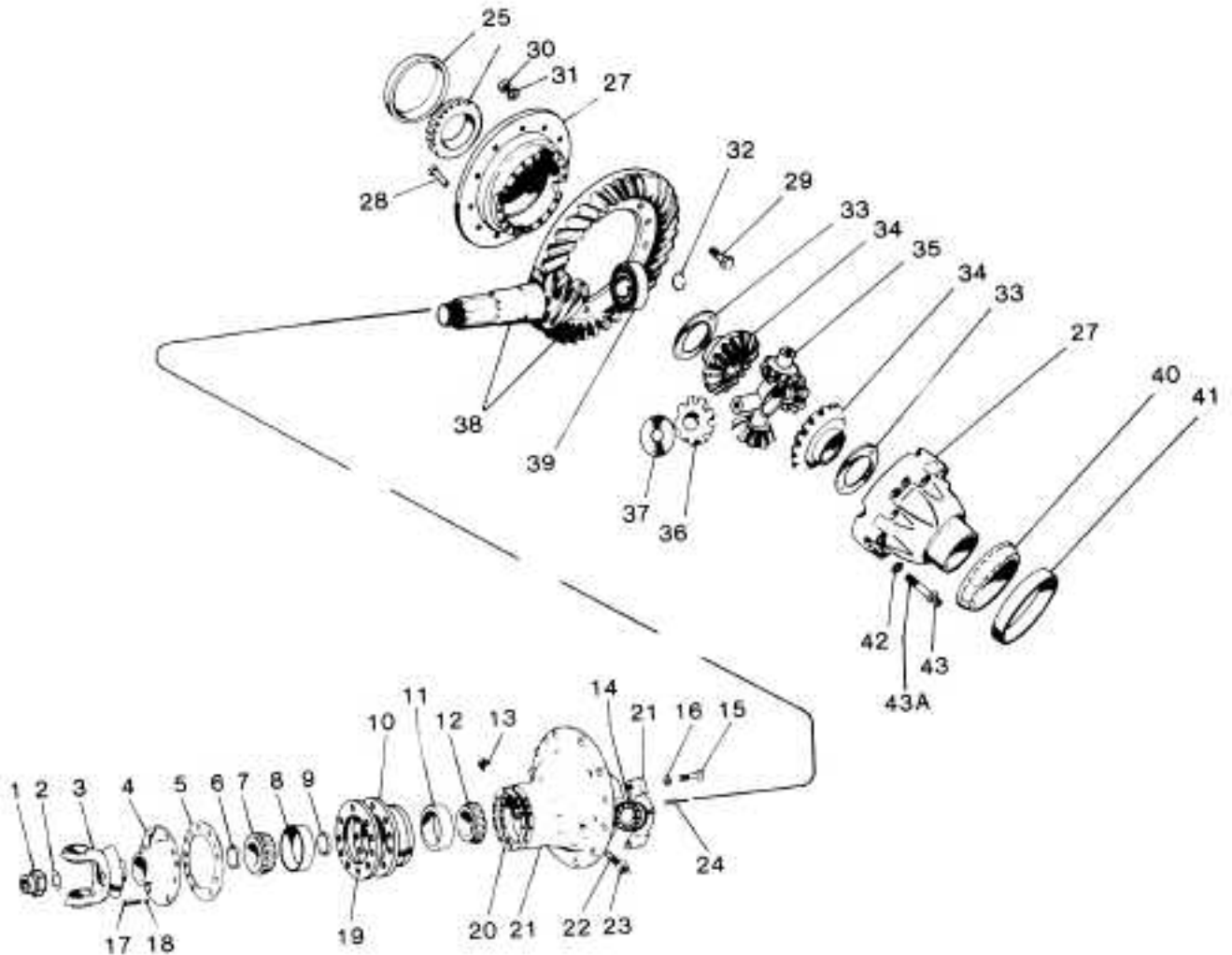
SL/SQHD FORWARD-REAR CARRIER WITH 2" - 39 SPLINE

<u>DRIVE GEAR & PINION ASSY</u>	<u>DRIVE GEAR, PINION & HELICAL GEAR ASSY</u>	<u>RATIO</u>	<u>REMARKS</u>
A36028-20	A36028-21	3.55	FAST RATIOS
A37588-12	A37588-13	3.70	
A38006-9	A38006-10	3.90	Use Differential Case
A35818-23	A35818-24	4.11	Assembly
A36722-12	A36722-13	4.33	A83-3235V620
A35816-19	A35816-20	4.44	
A35814-16	A35814-17	4.63	
A36446-15	A36446-16	4.88	STANDARD RATIOS
A35812-20	A35812-21	5.29	
A35810-19	A35810-20	5.83	Use Differential Case
A35808-18	A35808-23	6.17	Assembly
A35806-21	A35806-22	6.83	B3-3235U619
A35804-18	A35804-23	7.20	
A35802-17	A35802-18	7.80	
A35800-17	A35800-18	8.60	

PARTS LISTED IN THIS CATALOG ARE NOT NECESSARILY MANUFACTURED BY THE ORIGINAL EQUIPMENT MANUFACTURER AND ANY REFERENCE TO THE TRADEMARKS OR PART NUMBERS OF OTHERS ARE FOR CROSS REFERENCE INFORMATIONAL PURPOSES ONLY. THE TRADEMARKS OF OTHERS REFERRED TO HEREIN ARE OWNED BY THEIR RESPECTIVE COMPANIES AND ARE NOT AFFILIATED IN ANY WAY WITH MIDWEST TRUCK & AUTO PARTS, INC.® MOTIVE GEAR® AND WORLD AMERICAN® ARE THE REGISTERED TRADEMARKS OF MIDWEST TRUCK & AUTO PARTS, INC.® USE OF THE ® IN CONNECTION WITH A MARK OF MIDWEST TRUCK & AUTO PARTS, INC.® INDICATES THAT THE MARK IS REGISTERED IN AT LEAST THE UNITED STATES. NO REPRESENTATION IS MADE WITH RESPECT TO THE SOURCE OF MANUFACTURE OF ANY PARTICULAR PART. © 2005, MIDWEST TRUCK & AUTO PARTS, INC.® ALL RIGHTS RESERVED.

ROCKWELL®

SL/SQHD REAR-REAR



REAR DIFFERENTIAL
CARRIER ASSEMBLY

PARTS LISTED IN THIS CATALOG ARE NOT NECESSARILY MANUFACTURED BY THE ORIGINAL EQUIPMENT MANUFACTURER AND ANY REFERENCE TO THE TRADEMARKS OR PART NUMBERS OF OTHERS ARE FOR CROSS REFERENCE INFORMATIONAL PURPOSES ONLY. THE TRADEMARKS OF OTHERS REFERRED TO HEREIN ARE OWNED BY THEIR RESPECTIVE COMPANIES AND ARE NOT AFFILIATED IN ANY WAY WITH MIDWEST TRUCK & AUTO PARTS, INC.® MOTIVE GEAR® AND WORLD AMERICAN® ARE THE REGISTERED TRADEMARKS OF MIDWEST TRUCK & AUTO PARTS, INC.® USE OF THE ® IN CONNECTION WITH A MARK OF MIDWEST TRUCK & AUTO PARTS, INC.® INDICATES THAT THE MARK IS REGISTERED IN AT LEAST THE UNITED STATES. NO REPRESENTATION IS MADE WITH RESPECT TO THE SOURCE OF MANUFACTURE OF ANY PARTICULAR PART. © 2005, MIDWEST TRUCK & AUTO PARTS, INC.® ALL RIGHTS RESERVED.

ROCKWELL®

SL/SQHD REAR-REAR

ITEM	DESCRIPTION	QTY	PART NO.	REMARKS
	Bearing, Seal & Gasket Kit		RA9RCR	
1	Nut - Yoke Input	1	1227Z936	
2	Washer - Yoke Input	1	1229A2653	
3	Companion Yoke & Slinger Assy.	1		CALL YOUR SALES REP
4, 6	Cage-cover & Seal Assy.	1	A3266H86	
5	Gasket - Bearing Cage	1	2208E421	
6	Oil Seal Assy.	1	475009N	
7	Cone - Outer Bearing	1	72188C	
8	Cup - Outer Bearing	1	72487	
9	Spacer - Bearing	As req.		CALL YOUR SALES REP
8, 10, 11	Bearing - Cage & Cup Assy.	1	A3226Z78	
11	Cup - Inner Bearing	1	72487	
12	Cone - Inner Bearing	1	72200C	
13	Plug - Inspection Hole	1	P212	
14	Adjusting ring - Differential Bearing	2	2214G215	
15	Capscrew - differential bearing cap	4	S21238-1	Malleable carriers
		4	10X1021	Aluminum carriers
16	Washer - Diff. bearing cap	4	1229V1556	
17	Capscrew - Cage	8	S2813-1	Malleable carriers
		8	10X720	Aluminum carriers
18	Washer - Cage Capscrew	8	1229C1511	
19	Shim	1	2203L7448	
		3	2203K7447	
		4	2203J7446	
20	Shim	As req.	2203T8366	Use with these ratios only: 4.88, 6.17, 6.83, 7.20, 7.80, 8.60
15, 16, 21~	Carrier & Cap Assy.	1	A2-3200C393 No longer available	Malleable Aluminum
22	Thrust Screw	1	15X1025	
23	Nut - Thrust Screw	1	13X41	
24	Lock pin-adjusting ring	2	1199R2176	
25	Cup - differential bearing - L.H.	1	493	Standard & fast ratios
26	Cone - differential bearing - L.H.	1	496	Standard & fast ratios
		1	497	Fast ratios only
27, 33, 34, 35, 36, 37, 42, 43	Differential Case & Nest Assy.	1	B11-3235U619 #	Standard ratios
		1	A87-3235V620 #	Fast ratios
		1	B5-3235U619 ##	Standard ratios
		1	A84-3235V620 ##	Fast ratios
27, 42, 43	Differential Case Assy.	1	B3-3235U619	Standard ratios
		1	A83-3235V620	Fast ratios
28	Rivet- gear to case (riveted version)	12	RV71013	
29	Bolt- gear to case (bolted version)		15X1523	Available as KIT 570
30	Nut - gear to case	12	NL110-1	Available as KIT 570
31	Washer - gear to case	12	1229U1503	Available as KIT 570
32	Lock Ring - Drive Pinion	1	1229A1301	
33	Washer - Side Gear Thrust	2	1229T1034	
34	Side Gear - Differential	2	2234X310 #	KIT 317 - SLHD - 21 SPL. (Incl. 33-37)
		2	2234X700 ##	KIT 318 - SQHD - 22 SPL. (Incl. 33-37)
35	Spider - Differential	1	3278S305	
36	Pinion - Differential	4	2233U151	
37	Washer - Pinion Thrust	4	1229R1032	
38	Drive Gear & Pinion Assy.	1	See Page 108	
39	Rear Bearing - Drive Pinion	1	1228F552	
40	Cone - Differential Bearing - R.H.	1	496	Standard & fast ratios
41	Cup - Differential Bearing - R.H.	1	493	Standard & fast ratios
42	Washer - Diff. Case Bolt	16	1229C1511	
43	Bolt I- Differential Case	15	S2826P-1	
43A	Thread locking liquid/diff. case	1	2297C3747	.34 oz. tube

~ = Not serviced separately.

= SLHD Only

= SQHD Only

PARTS LISTED IN THIS CATALOG ARE NOT NECESSARILY MANUFACTURED BY THE ORIGINAL EQUIPMENT MANUFACTURER AND ANY REFERENCE TO THE TRADEMARKS OR PART NUMBERS OF OTHERS ARE FOR CROSS REFERENCE INFORMATIONAL PURPOSES ONLY. THE TRADEMARKS OF OTHERS REFERRED TO HEREIN ARE OWNED BY THEIR RESPECTIVE COMPANIES AND ARE NOT AFFILIATED IN ANY WAY WITH MIDWEST TRUCK & AUTO PARTS, INC.® MOTIVE GEAR® AND WORLD AMERICAN® ARE THE REGISTERED TRADEMARKS OF MIDWEST TRUCK & AUTO PARTS, INC.® USE OF THE ® IN CONNECTION WITH A MARK OF MIDWEST TRUCK & AUTO PARTS, INC.® INDICATES THAT THE MARK IS REGISTERED IN AT LEAST THE UNITED STATES. NO REPRESENTATION IS MADE WITH RESPECT TO THE SOURCE OF MANUFACTURE OF ANY PARTICULAR PART. © 2005, MIDWEST TRUCK & AUTO PARTS, INC.® ALL RIGHTS RESERVED.

ROCKWELL®

SL/SQHD REAR-REAR CARRIER WITH 1-3/4" - 10 SPLINE

PART NUMBER	RATIO		REMARKS
A36028-18	FAST	3.55	Use Differential Case Assembly A83-3235V620
A37588-10		3.70	
A38006-3		3.90	
A35818-20		4.11	
A36722-10		4.33	
A35816-17		4.44	
A35814-14		4.63	
A36446-13	STANDARD	4.88	Use Differential Case Assembly B3-3235U619
A35812-18		5.29	
A35810-17		5.83	
A35808-19		6.17	
A35806-19		6.83	
A35804-19		7.20	
A35802-15		7.80	
A35800-14	8.60		

PARTS LISTED IN THIS CATALOG ARE NOT NECESSARILY MANUFACTURED BY THE ORIGINAL EQUIPMENT MANUFACTURER AND ANY REFERENCE TO THE TRADEMARKS OR PART NUMBERS OF OTHERS ARE FOR CROSS REFERENCE INFORMATIONAL PURPOSES ONLY. THE TRADEMARKS OF OTHERS REFERRED TO HEREIN ARE OWNED BY THEIR RESPECTIVE COMPANIES AND ARE NOT AFFILIATED IN ANY WAY WITH MIDWEST TRUCK & AUTO PARTS, INC.® MOTIVE GEAR® AND WORLD AMERICAN® ARE THE REGISTERED TRADEMARKS OF MIDWEST TRUCK & AUTO PARTS, INC.® USE OF THE ® IN CONNECTION WITH A MARK OF MIDWEST TRUCK & AUTO PARTS, INC.® INDICATES THAT THE MARK IS REGISTERED IN AT LEAST THE UNITED STATES. NO REPRESENTATION IS MADE WITH RESPECT TO THE SOURCE OF MANUFACTURE OF ANY PARTICULAR PART. © 2005, MIDWEST TRUCK & AUTO PARTS, INC.® ALL RIGHTS RESERVED.

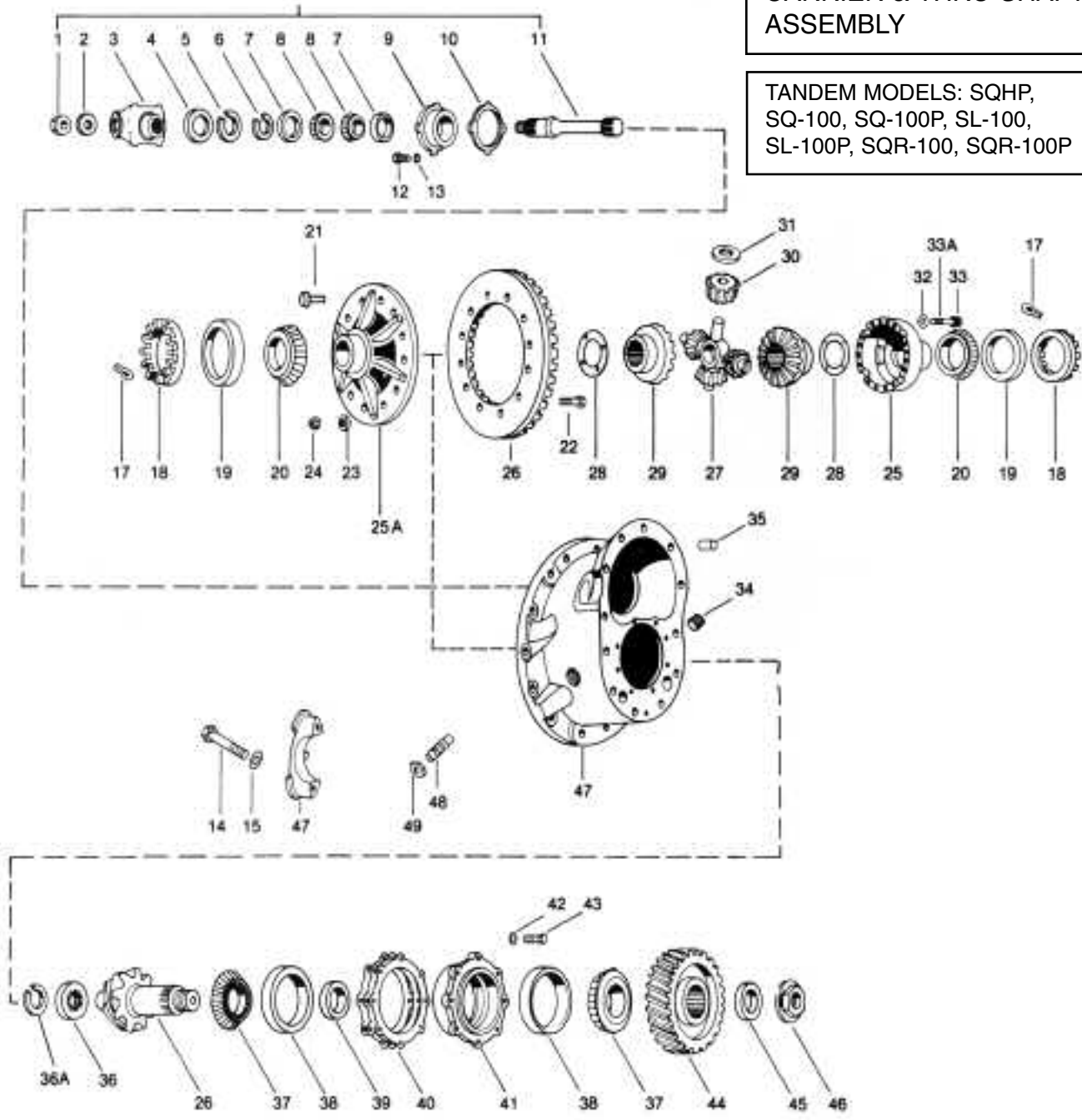
ROCKWELL®

SL/SQ100; SQHP FRONT

NOTE: ITEMS 1 THRU 13 NOT INCLUDED IN CARRIER ASSY.

**FORWARD DIFFERENTIAL
CARRIER & THRU-SHAFT
ASSEMBLY**

**TANDEM MODELS: SQHP,
SQ-100, SQ-100P, SL-100,
SL-100P, SQR-100, SQR-100P**



PARTS LISTED IN THIS CATALOG ARE NOT NECESSARILY MANUFACTURED BY THE ORIGINAL EQUIPMENT MANUFACTURER AND ANY REFERENCE TO THE TRADEMARKS OR PART NUMBERS OF OTHERS ARE FOR CROSS REFERENCE INFORMATIONAL PURPOSES ONLY. THE TRADEMARKS OF OTHERS REFERRED TO HEREIN ARE OWNED BY THEIR RESPECTIVE COMPANIES AND ARE NOT AFFILIATED IN ANY WAY WITH MIDWEST TRUCK & AUTO PARTS, INC.® MOTIVE GEAR® AND WORLD AMERICAN® ARE THE REGISTERED TRADEMARKS OF MIDWEST TRUCK & AUTO PARTS, INC.® USE OF THE ® IN CONNECTION WITH A MARK OF MIDWEST TRUCK & AUTO PARTS, INC.® INDICATES THAT THE MARK IS REGISTERED IN AT LEAST THE UNITED STATES. NO REPRESENTATION IS MADE WITH RESPECT TO THE SOURCE OF MANUFACTURE OF ANY PARTICULAR PART. © 2005, MIDWEST TRUCK & AUTO PARTS, INC.® ALL RIGHTS RESERVED.

ROCKWELL®

SL/SQ100; SQHP FRONT

ITEM	DESCRIPTION	QTY	PART NO.	REMARKS	
	Bearing, Seal & Gasket Kit		RA194FR		
1	Nut - thru-shaft	1	1227Q901		
2	Washer - thru-shaft	1	1229A2653	(QRD/QRP/ QRF)	
3	Yoke - thru-shaft	1		CALL YOUR SALES REP	
4	Oil Seal Assy - thru-shaft bearing cage	1	473274N 4561V	Pre 8/83 Triple lip seal	
5	Snap Ring - thru-shaft	As req.		CALL YOUR SALES REP	
6	Snap Ring - thru-shaft	1	1829A859		
7	Cup - thru-shaft bearing	2	LM603011		
8	Cone - thru-shaft bearing	2	LM603049		
9, 7	Bearing Cage Assy - thru-shaft	1	A3226X596		
10	Gasket - thru-shaft bearing cage	1	2208C445		
11	Thru-shaft	1	3280T5688		
12	Capscrew - thru-shaft bearing cage	4	15X387	(QRD/QRP, QRF)	
13	Washer - thru-shaft bearing cage	4	1229K1597		
14	Capscrew - Diff. bearing cap	4	S21238-1 10X1023	Aluminum cover	
15	Washer - Diff. bearing cap	4	1229V1556		
16	Dowel pin - Diff. bearing cap	2	See Item 47	Not shown	
17	Cotter - Diff. bearing adj. ring	2	1199R2176		
18	Adj. ring - Diff. bearing	2	2214Z208		
19	Cup - Diff. bearing	2	JM716610		
20	Cone - Diff. bearing	2	JM716649		
21	Rivet - Bevel gear to case (opt.)	12	RV71013		
22	Bolt - Bevel gear to case	12	15X1626	Available in KIT 2306	
			QRD, QRP, QRF QHP, QD, QP, LD, LP	Available in KIT 570	
23	Washer - Bevel gear to case	12	1229U1503	Available in KIT 570	
24	Nut - Bevel gear to case	12	NL110-1	Available in KIT 570	
25~, 25A~ 32, 33, 33A	*Differential Case Assy. - Main	1	A28-3235D1174 A26-3235L1156 A19-3235C1173	Standard ratios Medium ratios Fast ratios	
25~, 25A~, 27, 28, 29, 30,31,32,33	*Differential Case and Nest Assy.	1	A18-3235D1174 A34-3235D1174 A44-3235D1174	Standard ratios	
25~, 25A~, 27, 28, 29, 30,31,32,33	*Differential Case and Nest Assy.	1	A17-3235L1156 A43-3235L1156 A51-3235L1156	Medium ratios	
25~, 25A~, 27, 28, 29, 30,31,32,33	*Differential Case and Nest Assy.	1	A13-3235C1173 A33-3235C1173 A43-3235C1173	Fast ratios	
26~	*Drive gear & pinion assy.	1	See Page 113		
27	Spider-diff.	1	3278S305		
28	Thrust washer - Diff. side gear	2	1229T1034		
29	Side gear - main differential	2	2234C783 2234D966 2234F1046	2.10" - 41 Spline 2.00" - 39 Spline 2.10" - 41 Spline	
30	Pinion diff.	4	2233U151 2233J1024		
31	Thrust Washer - Diff. pinion	4	1229R1032		
32	Washer - Diff. case	16	1229C1511		
33	Capscrew - Diff. case	16	S2826P-1		
33A	Thread locking liquid/diff. case	1	2297C3747	.34 oz. tube - See NOTE on Page 112	
34	Plug-filler	1	P212		
35	Dowel-helical gear cover to cover	2	1246M455		
36	Spigot bearing - drive pinion	1	RU1570UM		
36A	Lock ring - drive pinion	1	1229A1301		
37	Cone - drive pinion bearing	2	72212C		
38	Cup - drive pinion bearing	2	72487		
39	Shim spacer - drive pinion	As req.		CALL YOUR SALES REP	
40	Shim - Pinion forward bearing cage	.003 .005 .010	3 4 1	2203A6319 2203B6320 2203C6321	Available in KIT 1500

~ = Not serviced separately.

* = Specify ratios. When changing ratios from standard to medium or fast, you must change differential

PARTS LISTED IN THIS CATALOG ARE NOT NECESSARILY MANUFACTURED BY THE ORIGINAL EQUIPMENT MANUFACTURER AND ANY REFERENCE TO THE TRADEMARKS OR PART NUMBERS OF OTHERS ARE FOR CROSS REFERENCE INFORMATIONAL PURPOSES ONLY. THE TRADEMARKS OF OTHERS REFERRED TO HEREIN ARE OWNED BY THEIR RESPECTIVE COMPANIES AND ARE NOT AFFILIATED IN ANY WAY WITH MIDWEST TRUCK & AUTO PARTS, INC.® MOTIVE GEAR® AND WORLD AMERICAN® ARE THE REGISTERED TRADEMARKS OF MIDWEST TRUCK & AUTO PARTS, INC.® USE OF THE ® IN CONNECTION WITH A MARK OF MIDWEST TRUCK & AUTO PARTS, INC.® INDICATES THAT THE MARK IS REGISTERED IN AT LEAST THE UNITED STATES. NO REPRESENTATION IS MADE WITH RESPECT TO THE SOURCE OF MANUFACTURE OF ANY PARTICULAR PART. © 2005, MIDWEST TRUCK & AUTO PARTS, INC.® ALL RIGHTS RESERVED.

ROCKWELL®

SL/SQ100, SQHP FRONT (Cont'd)

ITEM	DESCRIPTION	QTY	PART NO.	REMARKS	
41, 38	Drive pinion cage & bearing	1	A3226R564		
	Cup assembly		A3226U749	Aluminum carrier	
42	Washer - drive pinion bearing cage	7	1229C1511		
		8		Aluminum carrier	
43	Capscrew - drive pinion bearing cage	7	S2812-2		
		8	15X1558	Aluminum carrier	
44	Gear - helical driven	1	3892S3945		
45	Washer - drive pinion	1	1229N1730		
46	Nut-drive pinion	1	1227N898		
47, 14,	Diff. carrier & cap assy.	1	A2-3200R1032		
15, 16	Use with KIT 533 (Silastic)		A2-3200L1078	Aluminum carrier	
47A	Adhesive - bearing cup	1	2297T4180	Not shown, 2-.5 cc tubes (1 tube per bearing)	
48	Screw - thrust block adj.	1	15X1025		
49	Nut-drive gear thrust block screw	1	13X41		
50	Cone - Input shaft bearing cage	1	JM511946		
51	Cup - Input shaft bearing cage	1	JM511910		
52	Shim	1	.003 .005 .010	2203R6518 2203S6519 2203T6520	Available in KIT 1500
53, 51	Input shaft bearing cage assy.	1	A3226M585		
54	Washer - Input shaft bearing cage	6	1229E1513		
55	Capscrew - Input shaft bearing cage	6	S2711-1		
56	Oil Seal - Input shaft	1	476023N 100495	Pre 8/83 Trip lip seal	
57	Deflector - yoke	1	DEFR50-4		
58, 57	Input shaft yoke assy.	1		CALL YOUR SALES REP	
59	Washer - Input shaft	1	1229T1736		
60	Nut - Input shaft	1	1227R902		
61	Washer - helical gear cover to carrier	12	1229C1511		
62	Capscrew - helical gear cover to cover	12 2 10	S2812-2 S2812-2 15X1558	Aluminum carrier	
63	Gasket - helical gear cover to carrier	1	1199T3842	(Silastic)	
64	Cover - helical gear	1	QHP, LP/QP-100 KIT 2268	3280U8081 KIT 2268 After 8/83 Prior to 8/83	
64A	Cover - helical gear	1	LD-100, QD-100 KIT 2269	3266H970 KIT 2269 After 8/83 Prior to 8/83	
64B	Tube - helical gear cover	1	2297V2284	QHP, LP/QP-100 Not shown - old style	
64C	Plug - helical gear cover - Welch®	1	PW214	Not shown - old style	
65	Plug - helical gear cover drain	1	P26		
66	Spring - push rod	1	2258U411		
67	Push rod	1	2244E83 2297X2494	After 8/83 Old style - Prior to 8/83	
68, 69	Air shaft chamber assy.	1	A1-3261V308	Includes attaching hardware (Item No. 20) SEE KIT 2266	
69	Capscrew - air shift chamber assy.	4	10X1334	Includes attaching hardware (Item No. 20) SEE KIT 2266	
70, 71~	Shaft assy - pump drive	1	A1-2297B4240	SEE KIT 1588	
72	Snap ring - pump shaft	1	1229G2763	Used with QHP, LP/QP-100 only.	
73	Gear - pump drive	1	3892Z4368	Used with QHP, LP/QP-100 only.	
74	Gear - pump driven	1	3892A4369	Used with QHP, LP/QP-100 only.	
75	Shaft - pump idler	1	1199R3346	Used with QHP, LP/QP-100 only.	
76, 79, 80, 81	Relief Valve pump cover assy.	1	A3266P510	Used with QHP, LP/QP-100 only.	
77	Washer - pump cover	4	1229E1669	Used with QHP, LP/QP-100 only.	
78	Capscrew - pump cover	2	S256-1	Used with QHP, LP/QP-100 only.	
79	Ball-relief valve	1	1898E57	Used with QHP, LP/QP-100 only.	
80	Spring-relief valve	1	2258A521	Used with QHP, LP/QP-100 only.	
81	Plug-relief valve assy. with o-ring	1	A1199V3402	Used with QHP, LP/QP-100 only.	
82	Adapter-filter	1	2297E2293	Used with QHP, LP/QP-100 only.	
83	Washer-filter adapter	2	1229E1669	Used with QHP, LP/QP-100 only.	
84	Capscrew-filter adapter	2	S2510-1	Used with QHP, LP/QP-100 only.	

~ = Not serviced separately.

PARTS LISTED IN THIS CATALOG ARE NOT NECESSARILY MANUFACTURED BY THE ORIGINAL EQUIPMENT MANUFACTURER AND ANY REFERENCE TO THE TRADEMARKS OR PART NUMBERS OF OTHERS ARE FOR CROSS REFERENCE INFORMATIONAL PURPOSES ONLY. THE TRADEMARKS OF OTHERS REFERRED TO HEREIN ARE OWNED BY THEIR RESPECTIVE COMPANIES AND ARE NOT AFFILIATED IN ANY WAY WITH MIDWEST TRUCK & AUTO PARTS, INC.® MOTIVE GEAR® AND WORLD AMERICAN® ARE THE REGISTERED TRADEMARKS OF MIDWEST TRUCK & AUTO PARTS, INC.® USE OF THE ® IN CONNECTION WITH A MARK OF MIDWEST TRUCK & AUTO PARTS, INC.® INDICATES THAT THE MARK IS REGISTERED IN AT LEAST THE UNITED STATES. NO REPRESENTATION IS MADE WITH RESPECT TO THE SOURCE OF MANUFACTURE OF ANY PARTICULAR PART. © 2005, MIDWEST TRUCK & AUTO PARTS, INC.® ALL RIGHTS RESERVED.

ROCKWELL®

SL/SQ100, SQHP FRONT (Cont'd)

ITEM	DESCRIPTION	QTY	PART NO.	REMARKS
85	Filter-oil	1	3280V5040	Used with QHP, LP/QP-100 only.
86	Shield-oil filter	1	3280V6964	Used with QHP, LP/QP-100 only.
86A	Washer	4	1229E1669	Used with QHP, LP/QP-100 only.
87	Locknut-pump shield	2	NL25-1	
88	Stud-pump shield & pump cover	2	4X1707	
89	Cup - Input shaft rear bearing	1	JLM710910	
90	Cone - Input shaft rear bearing	1	JLM710949C	2234E1019 & JLM710949C available as A2234E1019 assy.
91	Differential side gear	1	2234E1019 MPS3344 MPS3345	2234E1019 & JLM710949C available as A2234E1019 assy. LD/QD-100 - Prior to 12/85 QHP, LP/QP-100 - Prior to 12/85
92A	Capscrew - Inter-axle diff.	8	S2524-1	Not shown. Available as KIT 1590
92B	Washer - Inter-axle diff.	16	1229E1669	Not shown. Available as KIT 1590
92C	Nut - Inter-axle diff.	8	NL25-1	Not shown. Available as KIT 1590
92D	Thread locking liquid/diff. case	1	2297C3747	.34 oz. tube - SEE NOTE below.
92A, 92B, 92C, 93, 94, 95, 96	Inter-axle diff. & nest assy. 2.00" - 39 Spline	1	A3235F1800	
92A, 92B, 92C, 93, 94 95, 96	Inter-axle diff. & nest assy. 2.10" - 41 Spline	1	A3-3235F1800 MPS3344 MPS3345	LD/QD-100 - 12/85 & Later QHP, LP/QP-100 - 12/85 & Later
96	Spider - Inter-axle diff. 2.00" - 39 Spline 2.10" - 41 Spline	1	3278H372 3278A1093	Effective 3/84. Effective 2/86 (welded inter-axle diff.)
97	Gear - helical drive	1	3892M4927 3892F4738	Effective 3/84 - Use with 1014-1015 shaft Effective 3/84 - Use with 110 shaft
98	Thrust Washer	1	1229H2764 1229M4069	Effective 3/84 - 2.25" I.D. Not interchangeable with 1229H2764, effective 2/86 Effective 2/86 (welded inter-axle diff.)
99, 99A 59, 60	Input Shaft	1	A1-3297A1015	QHP, LP/QP-100 only. 2.10" - 41 Spline with pump - Effective 12/85
99, 59, 60	Input Shaft 2.00" - 39 Spline 2.10" - 41 Spline Less Pump	1	A3297F110 A1-3297Z1014	LD/QD-100 only. Effective 3/84 LD/QD-100 only. Effective 2/86 (welded inter-axle diff.)
99A	Ball-Input shaft	1	1228K37	QHP, LP/QP-100 only. Not shown. Repl. 1898B70
100	Shift fork	1	A3296T150 3296E57 KIT 2268 KIT 2269	After 8/83 Old style - Prior to 8/83 QHP, LP/QP-100 - Prior to 8/83 LD/QD-100 - Prior to 8/83
101	Clutch collar - Input shaft	1	3280G5519	
102	Stop screw - push rod	1	S1812-1	
103	Locknut - stop screw	1	13X15	

NOTE: THREAD LOCKING LIQUID/DIFFERENTIAL CASE HALVES

When assembling differential case halves in Rockwell International® axles, a thread locking adhesive should be used. The recommended procedure is as follows:

1. Wipe excess oil and residue from the threaded holes in the case. The holes should be relatively oil-free.
2. If **new bolts** are used, a yellow coating of Dri-Loc™ should appear on the threads. Assemble the case with these coated bolts to the required torque.
3. If the **original bolts** are reused or **regular bolts** without Dri-Loc™ are used, Rockwell® Part No. 2297C3747 should be used as a thread locking adhesive. **Apply the adhesive to the differential case holes only.** Thread the bolts and tighten to the required torque.

IMPORTANT: Do not apply Rockwell® Part No. 2297C3747 to Dri-Loc™ coated bolts. Refer to Rockwell® Service.

PARTS LISTED IN THIS CATALOG ARE NOT NECESSARILY MANUFACTURED BY THE ORIGINAL EQUIPMENT MANUFACTURER AND ANY REFERENCE TO THE TRADEMARKS OR PART NUMBERS OF OTHERS ARE FOR CROSS REFERENCE INFORMATIONAL PURPOSES ONLY. THE TRADEMARKS OF OTHERS REFERRED TO HEREIN ARE OWNED BY THEIR RESPECTIVE COMPANIES AND ARE NOT AFFILIATED IN ANY WAY WITH MIDWEST TRUCK & AUTO PARTS, INC.® MOTIVE GEAR® AND WORLD AMERICAN® ARE THE REGISTERED TRADEMARKS OF MIDWEST TRUCK & AUTO PARTS, INC.® USE OF THE ® IN CONNECTION WITH A MARK OF MIDWEST TRUCK & AUTO PARTS, INC.® INDICATES THAT THE MARK IS REGISTERED IN AT LEAST THE UNITED STATES. NO REPRESENTATION IS MADE WITH RESPECT TO THE SOURCE OF MANUFACTURE OF ANY PARTICULAR PART. © 2005, MIDWEST TRUCK & AUTO PARTS, INC.® ALL RIGHTS RESERVED.

ROCKWELL®

SL/SQ100 (2" - 39 SPLINE)

PART NUMBER	RATIO		AXLE
A39446-1	FAST	3.42	SL/SQ100 FRONT
A37278-2		3.55	
A37596-2		3.70	
A39170-1		3.73	
A38002-1		3.90	
A38836-1	MEDIUM	4.10	ALL QHP, QD/QP, LD/LP-100 FORWARD - REAR
A37404-1		4.33	
A37530-2		4.44	
A37540-2		4.63	
A37398-1	STANDARD	4.88	QRD RATIOS 3.42 TO 5.86
A37396-2		5.29	
A38824-1		5.86	
A38830-1		6.14	
A38240-1		6.83	
A38834-1		7.17	
A37258-2		7.80	

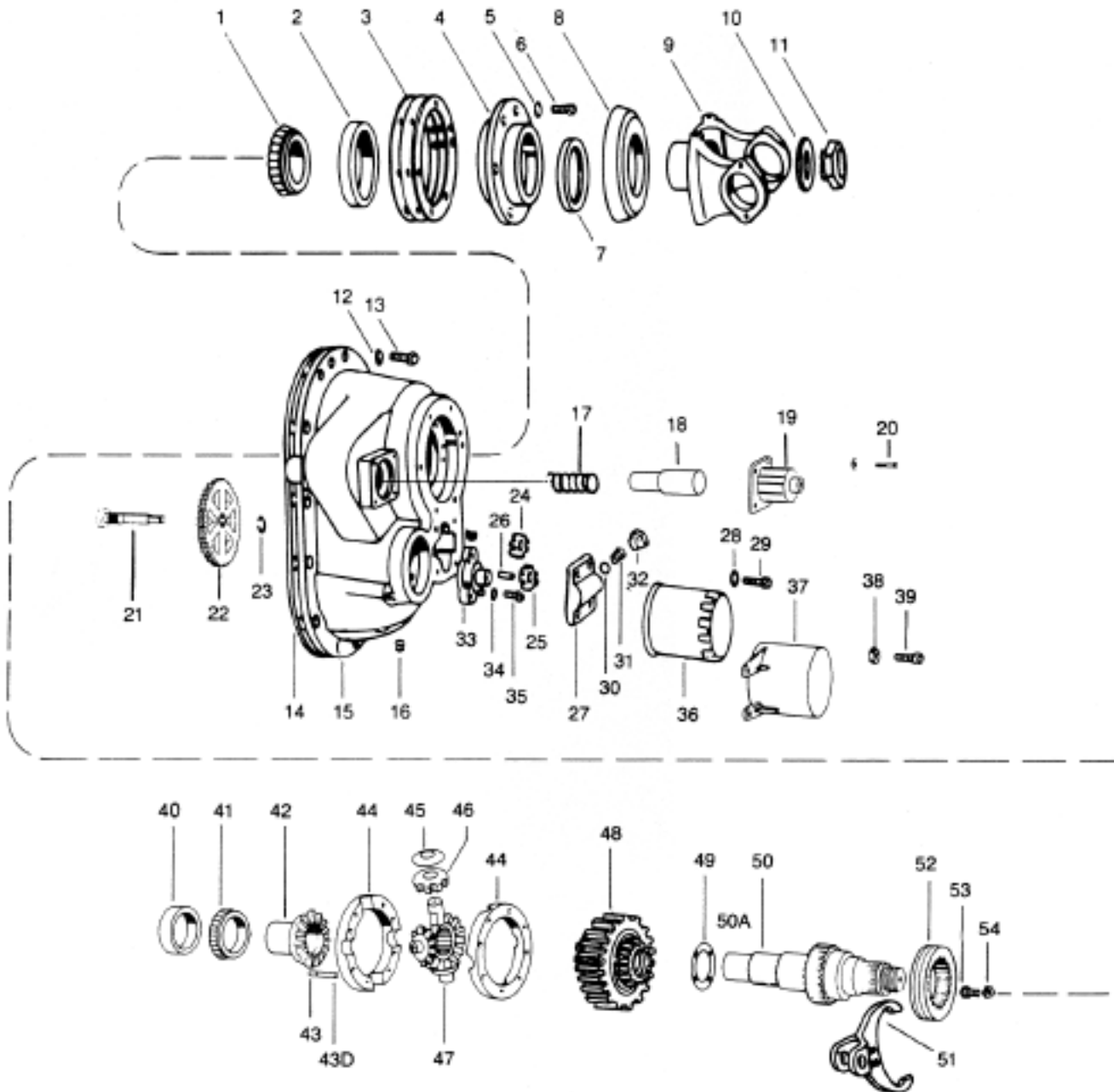
* = Non-interchangeable. 3.70 or 3.73 ratios must be the same for both Forward-Rear and Rear-Rear axle ratios. (i.e. 3.73 Forward-Rear and 3.73 Rear-Rear).

** = Available for SQ-100/P and SL-100/P only (with or without pump).

PARTS LISTED IN THIS CATALOG ARE NOT NECESSARILY MANUFACTURED BY THE ORIGINAL EQUIPMENT MANUFACTURER AND ANY REFERENCE TO THE TRADEMARKS OR PART NUMBERS OF OTHERS ARE FOR CROSS REFERENCE INFORMATIONAL PURPOSES ONLY. THE TRADEMARKS OF OTHERS REFERRED TO HEREIN ARE OWNED BY THEIR RESPECTIVE COMPANIES AND ARE NOT AFFILIATED IN ANY WAY WITH MIDWEST TRUCK & AUTO PARTS, INC.® MOTIVE GEAR® AND WORLD AMERICAN® ARE THE REGISTERED TRADEMARKS OF MIDWEST TRUCK & AUTO PARTS, INC.® USE OF THE ® IN CONNECTION WITH A MARK OF MIDWEST TRUCK & AUTO PARTS, INC.® INDICATES THAT THE MARK IS REGISTERED IN AT LEAST THE UNITED STATES. NO REPRESENTATION IS MADE WITH RESPECT TO THE SOURCE OF MANUFACTURE OF ANY PARTICULAR PART. © 2005, MIDWEST TRUCK & AUTO PARTS, INC.® ALL RIGHTS RESERVED.

ROCKWELL®

INTER-AXLE DIFFERENTIAL ASSEMBLY - SL/SQ100 QHP, QD-100, QP-100, LD-100, LP-100, QRD-100, QRP-100



PARTS LISTED IN THIS CATALOG ARE NOT NECESSARILY MANUFACTURED BY THE ORIGINAL EQUIPMENT MANUFACTURER AND ANY REFERENCE TO THE TRADEMARKS OR PART NUMBERS OF OTHERS ARE FOR CROSS REFERENCE INFORMATIONAL PURPOSES ONLY. THE TRADEMARKS OF OTHERS REFERRED TO HEREIN ARE OWNED BY THEIR RESPECTIVE COMPANIES AND ARE NOT AFFILIATED IN ANY WAY WITH MIDWEST TRUCK & AUTO PARTS, INC.® MOTIVE GEAR® AND WORLD AMERICAN® ARE THE REGISTERED TRADEMARKS OF MIDWEST TRUCK & AUTO PARTS, INC.® USE OF THE ® IN CONNECTION WITH A MARK OF MIDWEST TRUCK & AUTO PARTS, INC.® INDICATES THAT THE MARK IS REGISTERED IN AT LEAST THE UNITED STATES. NO REPRESENTATION IS MADE WITH RESPECT TO THE SOURCE OF MANUFACTURE OF ANY PARTICULAR PART. © 2005, MIDWEST TRUCK & AUTO PARTS, INC.® ALL RIGHTS RESERVED.

ROCKWELL®

INTER-AXLE DIFFERENTIAL ASSEMBLY - SL/SQ100 QHP, QD-100, QP-100, LD-100, LP-100, QRD-100, QRP-100

ITEM	DESCRIPTION	QTY	PART NO.	REMARKS
1	Cone-input shaft bearing cage	1	JM-511946	
2	Cup-input shaft bearing cage	1	JM-511910	
3	Shim- .003 input shaft .005 bearing cage .010	1	2203-R-6518 2203-S-6519 2203-T-6520	Available in KIT 1500
4	Input shaft bearing cage assy	1	A-3226-M-585	
5	Washer - Input shaft bearing cage	6	1229-E-1513	
6	Capscrew - Input shaft bearing cage	6	S-2711-1	
7	Oil seal - Input shaft	1	A-1205-E-1227 - 476023N A-1205-F-2424 - 100495	Pre 8-83 Triple lip seal
8	Deflector-yoke	1	DEFR50-4	
9,8	Input shaft yoke assy	1		CALL YOUR SALES REP
10	Washer - Input shaft	1	1229-T-1736	
11	Nut - Input shaft	1	1227-R-902	
12	Washer - helical gear cover to carrier	12	1229-C-1511	
13	Capscrew helical gear cover to cover	12 2 10	S-2812-2 S-2812-2 15-X-1558	Aluminum carrier
14	Gasket - helical gear cover to carrier	1	1199-T-3842	(Silastic) SEE KIT 533
15	Cover - helical gear QHP, LP/QP-100	1	3280-U-8081 KIT-2268	After 8/83 Prior to 8/83
15A	Cover - helical gear LD-100, QD-100	1	3266-H-970 KIT 2269	After 8/83 Prior to 8/83
15B	Tube - helical gear cover	1	2297-V-2284	QHP, LP/QP-100 NOT SHOWN - OLD STYLE
15C	Plug - helical gear cover - Welch®	1	PW-214	NOT SHOWN - OLD STYLE
16	Plug - helical cover drain	1	P-26	
17	Spring - push rod	1	2258-U-411	
18	Push rod	1	2244-E-83 2297-X-2494	AFTER 8/83 OLD STYLE - Prior to 8/83
19, 20	Air shift chamber assy	1	A1-3261-V-308	Includes attaching hardware (Item No. 20) SEE KIT 2266
20	Capscrew - air shift chamber assy	4	10-X-1334	
21, 22	Shaft assy - pump drive	1	A1-2297-B-4240	SEE KIT 1588
23	Snap ring - pump shaft	1	1229-G-2763	
24	Gear - pump drive	1	3892-Z-4368	
25	Gear - pump driven	1	3892-Z-4369	
26	Shaft - pump idler	1	1199-R-3346	
27, 30, 31, 32	Relief valve pump cover assy	1	A-3266-P-510	
28	Washer - pump cover	4	1229-F-1669	
29	Capscrew - pump cover	2	S-256-1	
30	Ball - relief valve	1	1898-E-57	Used with QHP, LP/QP-100 only
31	Spring - relief valve	1	2258-A-521	
32	Plug - relief valve assy with ring	1	A-1199-V-3402	
33	Adapter - filter	1	2297-E-2293	
34	Washer - filter adapter	2	1229-E-1669	
35	Capscrew - filter adapter	2	S-2510-1	
36	Filter - oil	1	3280-V-5040	
37	Shield - oil filter	1	3280-V-6964	
37A	Washer	4	1229-E-1669	
38	Locknut - pump shield	2	NL-25-1	
39	Stud - pump shield & pump cover	2	4-X-1707	
40	Cup - input shaft rear bearing	1	JLM-710910	
41	Cone - input shaft rear bearing	1	JLM-710949C	2234-E-1019 & JLM-710949C
42	Differential side gear	1	2234-E-1019 MPS 3344 MPS 3345	avail. as A-2234-E-1019 assy LD/QD-100 - Prior to 12/85 QHP, LP/QP-100 - Prior to 12/85
43A	Capscrew - inter axle diff.	8	S-2524-1	
43B	Washer - inter axle diff.	16	1229-E-1669	Not shown - Available as KIT 1590
43C	Nut - inter axle diff.	8	NL-25-1	
43D	Thread locking liquid/diff. case	1	2297-C-7049	.34 oz. tube

PARTS LISTED IN THIS CATALOG ARE NOT NECESSARILY MANUFACTURED BY THE ORIGINAL EQUIPMENT MANUFACTURER AND ANY REFERENCE TO THE TRADEMARKS OR PART NUMBERS OF OTHERS ARE FOR CROSS REFERENCE INFORMATIONAL PURPOSES ONLY. THE TRADEMARKS OF OTHERS REFERRED TO HEREIN ARE OWNED BY THEIR RESPECTIVE COMPANIES AND ARE NOT AFFILIATED IN ANY WAY WITH MIDWEST TRUCK & AUTO PARTS, INC.® MOTIVE GEAR® AND WORLD AMERICAN® ARE THE REGISTERED TRADEMARKS OF MIDWEST TRUCK & AUTO PARTS, INC.® USE OF THE ® IN CONNECTION WITH A MARK OF MIDWEST TRUCK & AUTO PARTS, INC.® INDICATES THAT THE MARK IS REGISTERED IN AT LEAST THE UNITED STATES. NO REPRESENTATION IS MADE WITH RESPECT TO THE SOURCE OF MANUFACTURE OF ANY PARTICULAR PART. © 2005, MIDWEST TRUCK & AUTO PARTS, INC.® ALL RIGHTS RESERVED.

ROCKWELL®

INTER-AXLE DIFFERENTIAL ASSEMBLY - SL/SQ100 QHP, QD-100, QP-100, LD-100, LP-100, QRD-100, QRP-100

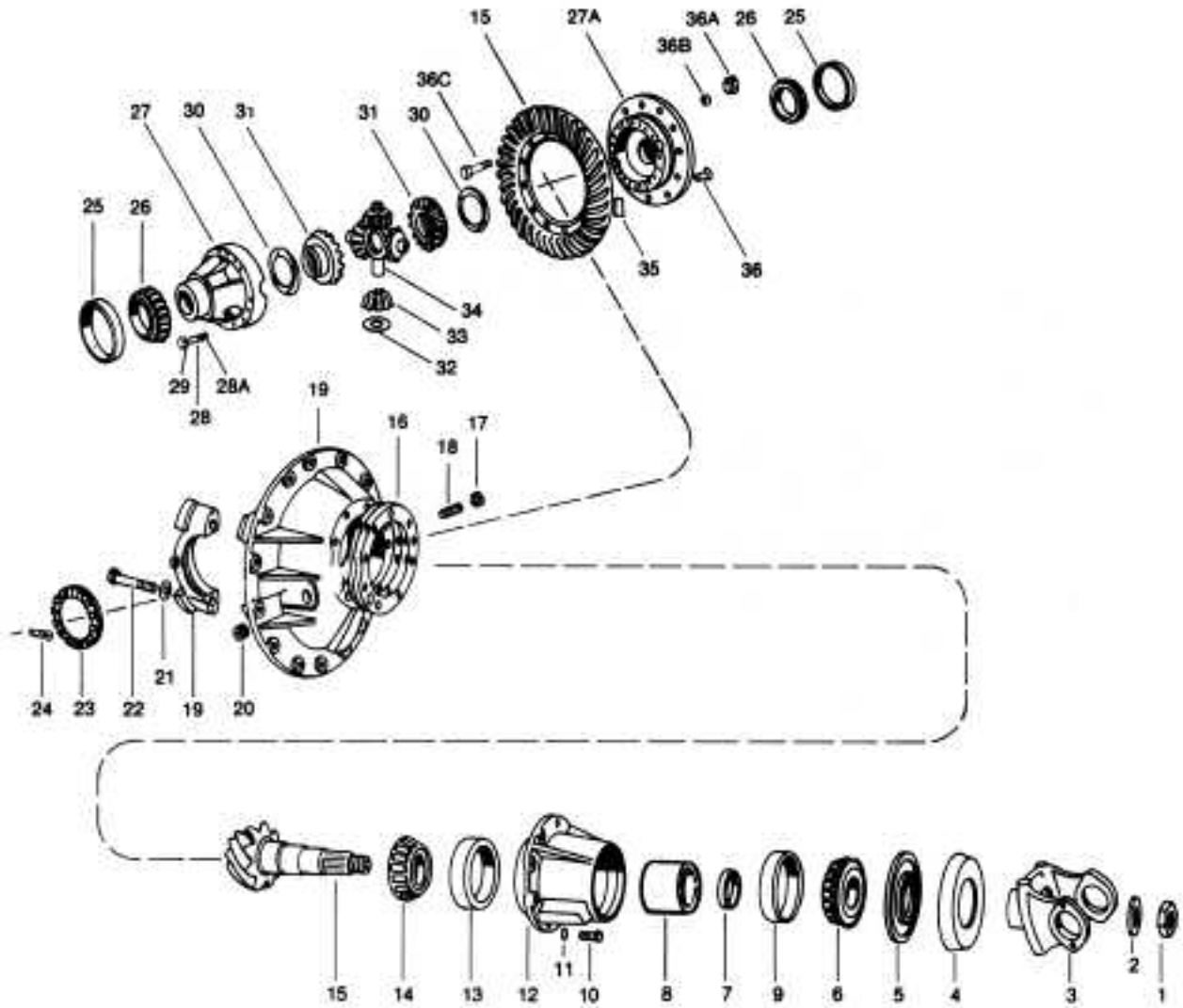
ITEM	DESCRIPTION		QTY	PART NO.	REMARKS
43A, 43B, 43C, 44, 45, 46, 47	Inter-axle diff. & nest assy	2.00" - 39 spline	1	A-3235-F-1800	
43A, 43B, 43C, 44, 45, 46, 47	Inter-axle diff. & nest assy	.2.10" - 41 spline	1	A3-3235-F-1800 MPS 3344 MPS 3345	LD/QD-100 - Prior to 12/85 QHP, LP/QP-100 - Prior to 12/85
47	Spider - inter-axle diff.	2.00" - 39 spline 2.10" - 41 spline	1	3278-H-372 3278-A-1093	
48	Gear - helical drive		1	3892-M-4927 3892-F-4738 MPS 3344 MPS 3345	Use with 1014 - 1015 shaft Use with 110 shaft LD/QD-100 - Prior to 12/85 QHP, LP/QP-100 - Prior to 12/85
49	Thrust washer		1	1229-H-2764 1229-M-4069	2.25" I.D. 2.39" I.D.
50, 50A 10, 11	Input shaft with pump	2.10" - 41 spline	1	A1-3297-A-1015 MPS 3345 Effective 12/85	QHP, LP/QP-100 only.
50, 10, 11	Input shaft	2.00" - 39 spline 2.10" - 41 spline less pump	1	A-3297-F-110 A-3297-Z-1014 MPS 3344 Effective 12/85	LD/QD-100 only. LD-QD-100 only.
50A	Ball - input shaft		1	1228-K-37	QHP, LP/QP-100 only - Not shown. Repl. 1898-B-70
51	Shift fork		1	A-3296-T-150 3296-E-57 KIT 2268 KIT 2269	After 8/83 Old style - Prior to 8/83 QHP, LP/QP-100 - Prior to 8/83 LD/QD-100 - Prior to 8/83
52	Clutch - collar-input shaft		1	3280-G-5519	
53	Stop screw - push rod		1	S-1812-2	
54	Locknut - stop screw		1	NUJA8-20-6	



PARTS LISTED IN THIS CATALOG ARE NOT NECESSARILY MANUFACTURED BY THE ORIGINAL EQUIPMENT MANUFACTURER AND ANY REFERENCE TO THE TRADEMARKS OR PART NUMBERS OF OTHERS ARE FOR CROSS REFERENCE INFORMATIONAL PURPOSES ONLY. THE TRADEMARKS OF OTHERS REFERRED TO HEREIN ARE OWNED BY THEIR RESPECTIVE COMPANIES AND ARE NOT AFFILIATED IN ANY WAY WITH MIDWEST TRUCK & AUTO PARTS, INC.® MOTIVE GEAR® AND WORLD AMERICAN® ARE THE REGISTERED TRADEMARKS OF MIDWEST TRUCK & AUTO PARTS, INC.® USE OF THE ® IN CONNECTION WITH A MARK OF MIDWEST TRUCK & AUTO PARTS, INC.® INDICATES THAT THE MARK IS REGISTERED IN AT LEAST THE UNITED STATES. NO REPRESENTATION IS MADE WITH RESPECT TO THE SOURCE OF MANUFACTURE OF ANY PARTICULAR PART. © 2005, MIDWEST TRUCK & AUTO PARTS, INC.® ALL RIGHTS RESERVED.

ROCKWELL®

SQHP/REAR/QAR



REAR DIFFERENTIAL CARRIER ASSEMBLY

PARTS LISTED IN THIS CATALOG ARE NOT NECESSARILY MANUFACTURED BY THE ORIGINAL EQUIPMENT MANUFACTURER AND ANY REFERENCE TO THE TRADEMARKS OR PART NUMBERS OF OTHERS ARE FOR CROSS REFERENCE INFORMATIONAL PURPOSES ONLY. THE TRADEMARKS OF OTHERS REFERRED TO HEREIN ARE OWNED BY THEIR RESPECTIVE COMPANIES AND ARE NOT AFFILIATED IN ANY WAY WITH MIDWEST TRUCK & AUTO PARTS, INC.® MOTIVE GEAR® AND WORLD AMERICAN® ARE THE REGISTERED TRADEMARKS OF MIDWEST TRUCK & AUTO PARTS, INC.® USE OF THE ® IN CONNECTION WITH A MARK OF MIDWEST TRUCK & AUTO PARTS, INC.® INDICATES THAT THE MARK IS REGISTERED IN AT LEAST THE UNITED STATES. NO REPRESENTATION IS MADE WITH RESPECT TO THE SOURCE OF MANUFACTURE OF ANY PARTICULAR PART. © 2005, MIDWEST TRUCK & AUTO PARTS, INC.® ALL RIGHTS RESERVED.

ROCKWELL®

SQHP/REAR/QAR

ITEM	DESCRIPTION	QTY	PART NO.	REMARKS	
	Bearing, Seal & Gasket Kit		RA194R		
1	Nut - drive pinion	1	1227R902		
2	Washer - drive pinion	1	1229F2918		
3, 4	Yoke/flange input	1		CALL YOUR SALES REP	
4	Deflector-yoke input	1	DEFR50-7		
5	Oil Seal - yoke flange	1	3905 4562V	Pre 8/83 Triple lip seal	
6	Cone - Outer bearing	1	72225C		
7	Spacer - pinion bearing	As req.		CALL YOUR SALES REP	
8	Sleeve - pinion bearing	1	1244F1592		
9	Cup - Outer bearing	1	72487		
10	Capscrew - bearing cage	8	S2812-2 15X1558	Aluminum carrier	
11	Washer - bearing cage	8	1229C1511		
12, 13	Drive pinion cage & cup assy.	1	A3226W569		
13	Cup - inner bearing	1	65500		
14	Cone - inner bearing	1	65237		
15~	* Drive gear & pinion assy.	1	See Page 120		
16	Shim - pinion	.003 .005 .010	1 3 4	2203C8115 2203D8116 2203E8117	Available as KIT 1568.
17	Nut - thrust block adj. screw	1	13X41		
18	Adj. screw - thrust block	1	10X382		
19, 20	Differential carrier & cap assy.	1	A2-3200Y1039		
21	Use with KIT 533 (Silastic)		A2-3200N1080	Aluminum carrier	
19A	Adhesive - bearing cup	1	2297T4180	Not shown - 2-.5 cc tubes	
20	Plug - filler	1	P212		
21	Washer - diff. bearing cap	4	1229V1556		
22	Capscrew - diff. bearing cap	4	S21238-1 10X1023	Aluminum carrier	
23	Adj. ring-diff. bearing	2	2214Z208		
24	Cotter - diff. bearing adj. ring	2	1199R2176		
25	Cup - diff. bearing	2	JM716610		
26	Cone - diff. bearing	2	JM716649		
27~, 27A~, 28, 29	* Differential case assembly	1	A28-3235D1174 A26-3235L1156 A19-3235C1173	Standard ratios Medium ratios Fast ratios	
27~, 27A~, 28, 29, 30, 31, 32, 33, 34	* Diff. case & nest assy.	1	A18-3235D1174 A17-3235L1156 A13-3235C1173	Standard ratios Medium ratios Fast ratios	
28	Capscrew - Diff. case	16	S2826P-1	Available in KIT 2467	
28A	Thread locking liquid/diff. case	1	2297C3747	.34 oz. tube - SEE NOTE, next page.	
29	Washer - Diff. case	16	1229C1511		
30	Thrust washer - side gear	2	1229T1034		
31	Side gear - diff.	2	2234C783		
32	Thrust washer - diff. pinion	4	1229R1032		
33	Pinion - diff.	4	2233U151		
34	Spider - diff.	1	3278S305		
35	Thrust block - Drive gear	1	2297Q563		
36	Rivet - gear to case	12	RV71013		
36A	Bolt - gear to case	12	15X1523	Available as KIT 570	
36B	Washer - gear to case	12	1229U1503	Available as KIT 570	
36C	Nut - gear to case	12	NL110-1	Available as KIT 570	

~ = Not serviced separately.

* = Specify ratios. When changing ratios from standard to medium or fast, you must change differential cases.

PARTS LISTED IN THIS CATALOG ARE NOT NECESSARILY MANUFACTURED BY THE ORIGINAL EQUIPMENT MANUFACTURER AND ANY REFERENCE TO THE TRADEMARKS OR PART NUMBERS OF OTHERS ARE FOR CROSS REFERENCE INFORMATIONAL PURPOSES ONLY. THE TRADEMARKS OF OTHERS REFERRED TO HEREIN ARE OWNED BY THEIR RESPECTIVE COMPANIES AND ARE NOT AFFILIATED IN ANY WAY WITH MIDWEST TRUCK & AUTO PARTS, INC.® MOTIVE GEAR® AND WORLD AMERICAN® ARE THE REGISTERED TRADEMARKS OF MIDWEST TRUCK & AUTO PARTS, INC.® USE OF THE ® IN CONNECTION WITH A MARK OF MIDWEST TRUCK & AUTO PARTS, INC.® INDICATES THAT THE MARK IS REGISTERED IN AT LEAST THE UNITED STATES. NO REPRESENTATION IS MADE WITH RESPECT TO THE SOURCE OF MANUFACTURE OF ANY PARTICULAR PART. © 2005, MIDWEST TRUCK & AUTO PARTS, INC.® ALL RIGHTS RESERVED.

ROCKWELL®

SQHP/REAR/QAR (Cont'd)

NOTE: THREAD LOCKING LIQUID/DIFFERENTIAL CASE HALVES

When assembling differential case halves in Rockwell International® axles, a thread locking adhesive should be used. The recommended procedure is as follows:

1. Wipe excess oil and residue from the threaded holes in the case. The holes should be relatively oil-free.
2. If **new bolts** are used, a yellow coating of Dri-Loc™ should appear on the threads. Assemble the case with these coated bolts to the required torque.
3. If the **original bolts** are reused or **regular bolts** without Dri-Loc™ are used, Rockwell® Part No. 2297C3747 should be used as a thread locking adhesive. **Apply the adhesive to the differential case holes only.** Thread the bolts and tighten to the required torque.

IMPORTANT: Do not apply Rockwell® Part No. 2297C3747 to Dri-Loc™ coated bolts. Refer to Rockwell® Service.

SQHP/REAR/QAR

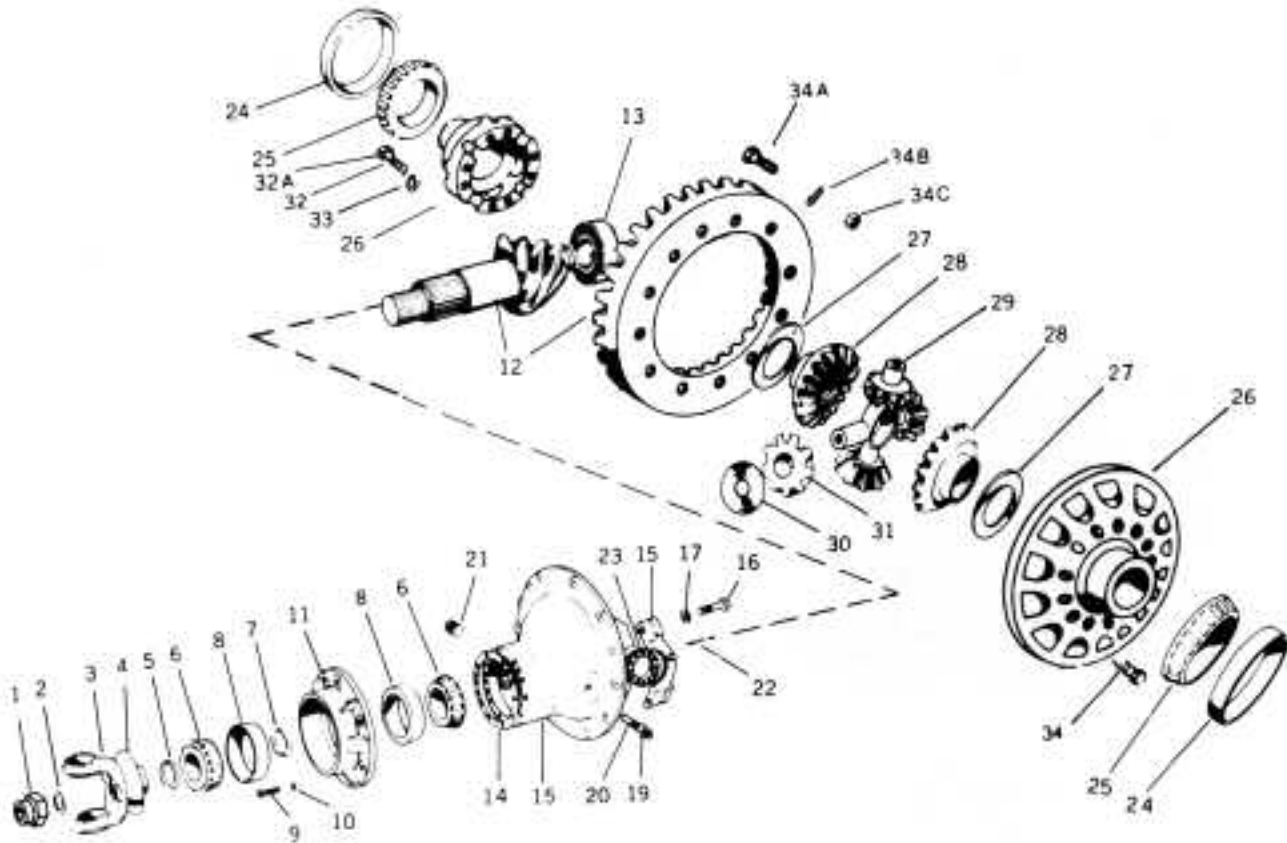
PART NUMBER	RATIO		AXLE
A37594-3	FAST	3.55	QAR/SQHP REAR-REAR
A37598-3 *		3.70 *	
A39166-1 *		3.73 *	
A38000-3		3.90	
A38758-1	MEDIUM	4.10	
A37542-3		4.33	
A37532-3		4.44	
A37534-3		4.63	
A37544-3	STANDARD	4.88	
A37536-3		5.29	
A38826-1		6.14	
A38246-1		6.83	

* = Non-interchangeable. 3.70 or 3.73 ratios must be the same for both Forward-Rear and Rear-Rear axle ratios. (i.e. 3.73 Forward-Rear and 3.73 Rear-Rear).

PARTS LISTED IN THIS CATALOG ARE NOT NECESSARILY MANUFACTURED BY THE ORIGINAL EQUIPMENT MANUFACTURER AND ANY REFERENCE TO THE TRADEMARKS OR PART NUMBERS OF OTHERS ARE FOR CROSS REFERENCE INFORMATIONAL PURPOSES ONLY. THE TRADEMARKS OF OTHERS REFERRED TO HEREIN ARE OWNED BY THEIR RESPECTIVE COMPANIES AND ARE NOT AFFILIATED IN ANY WAY WITH MIDWEST TRUCK & AUTO PARTS, INC.® MOTIVE GEAR® AND WORLD AMERICAN® ARE THE REGISTERED TRADEMARKS OF MIDWEST TRUCK & AUTO PARTS, INC.® USE OF THE ® IN CONNECTION WITH A MARK OF MIDWEST TRUCK & AUTO PARTS, INC.® INDICATES THAT THE MARK IS REGISTERED IN AT LEAST THE UNITED STATES. NO REPRESENTATION IS MADE WITH RESPECT TO THE SOURCE OF MANUFACTURE OF ANY PARTICULAR PART. © 2005, MIDWEST TRUCK & AUTO PARTS, INC.® ALL RIGHTS RESERVED.

ROCKWELL®

SL/SQ100 REAR



REAR-REAR DIFFERENTIAL CARRIER ASSEMBLY

PARTS LISTED IN THIS CATALOG ARE NOT NECESSARILY MANUFACTURED BY THE ORIGINAL EQUIPMENT MANUFACTURER AND ANY REFERENCE TO THE TRADEMARKS OR PART NUMBERS OF OTHERS ARE FOR CROSS REFERENCE INFORMATIONAL PURPOSES ONLY. THE TRADEMARKS OF OTHERS REFERRED TO HEREIN ARE OWNED BY THEIR RESPECTIVE COMPANIES AND ARE NOT AFFILIATED IN ANY WAY WITH MIDWEST TRUCK & AUTO PARTS, INC.® MOTIVE GEAR® AND WORLD AMERICAN® ARE THE REGISTERED TRADEMARKS OF MIDWEST TRUCK & AUTO PARTS, INC.® USE OF THE ® IN CONNECTION WITH A MARK OF MIDWEST TRUCK & AUTO PARTS, INC.® INDICATES THAT THE MARK IS REGISTERED IN AT LEAST THE UNITED STATES. NO REPRESENTATION IS MADE WITH RESPECT TO THE SOURCE OF MANUFACTURE OF ANY PARTICULAR PART. © 2005, MIDWEST TRUCK & AUTO PARTS, INC.® ALL RIGHTS RESERVED.

ROCKWELL®

SL/SQ100 REAR

ITEM	DESCRIPTION	QTY	PART NO.	REMARKS
	Bearing, Seal & Gasket Kit		RA194RBR	
1	Nut - yoke input	1	1227R902	
2	Washer - yoke input	1	1229T1736	
3, 4	Companion yoke & slinger assembly	1		CALL YOUR SALES REP
4	Deflector - yoke input	1	2297N3888	
5	Oil seal assembly	1	3905 4562V	Pre 8/83 Triple lip seal
6	Cone - Inner & outer bearing input	2	72212C	
7	Spacer - bearing cone	As req.		CALL YOUR SALES REP
8	Cup - Inner & outer bearing input	2	72487	
9	Capscrew - forward bearing cage	8	S2812-2	
10	Washer - forward bearing cup	8	1229C1511	
11, 8	Bearing cup & cage assy.	1	A3226Z806	
12~	* Drive gear & pinion assembly	1	See Page 123	
13	Bearing-spigot drive pinion	1	RU1570UM	
14	Shim - forward bearing cage	As req.	.003 .005 .010 2203C8115 2203D8116 2203E8117	
15, 15A, 16 17, 18	Differential carrier & cap assy. Use with KIT 533 (Silastic)	1	A2-3200N1314 A2-3200T1346	Aluminum carrier
15A	Adhesive - bearing cup	1	2297T4180	Not shown, 2-.5 cc tubes
16	Capscrew - differential bearing cap	4	S21238-1	
17	Washer - differential bearing cap	4	1229V1556	
18~	Dowel - differential bearing cap	2	See Item 15	Not shown
19	Locknut - thrust screw	1	13X41	
20	Screw - thrust drive gear	1	15X1025	
21	Plug-oil fill & inspection	1	P212	
22	Cotter pin-adjusting ring	2	1199R2176	
23	Adjusting ring - differential bearing	2	2214Z208	
24	Cup - bearing differential	2	JM716610	
25	Cone - bearing differential	2	JM716649	
26~, 26A~, 26,28,29,30, 31, 32, 33	* Differential case & nest assy.	1	QR-100 LR-100 QRR-100 A18-3235D1174 A34-3235D1174 A44-3235D1174	Standard ratios
26~, 26A~, 32, 33	* Differential case assy.	1	A28-3235D1174	
26~, 26A~, 26,28,29,30, 31, 32, 33	* Differential case & nest assy.	1	QR-100 LR-100 QRR-100 A17-3235L1156 A43-3235L1156 A51-3235L1156	Medium ratios
26~, 26A~, 32, 33	* Differential case assy.	1	A26-3235L1156	Medium ratio
26~, 26A~, 26,28,29,30, 31, 32, 33	* Differential case & nest assy.	1	QR-100 LR-100 QRR-100 A13-3235C1173 A33-3235C1173 A43-3235C1173	Fast ratios
26~, 26A~, 32, 33	* Differential case assy.	1	A19-3235C1173	Fast ratio
27	Washer - thrust-side gear	2	1229T1034	
28	Side gear - diff.	2	QR-100 LR-100 QRR-100 2234C783 2234D966 2234F1046	2.10" - 41 Spline 2.00" - 39 Spline 2.10" - 41 Spline
29	Spider - differential	1	3278S305	
30	Washer - thrust differential pinion	4	1229R1032	
31	Pinion - differential	4	QR/LR-100 QRR-100 2233U151 2233J1024	
32	Capscrew - diff. case	16	S2826P-1	Available in KIT 2467
32A	Thread locking liquid/differential case	1	2297C3747	.34 oz. tube - SEE NOTE.
33	Washer - differential case	16	1229C1511	
34	Rivet-diff. case to gear (opt.)	12	RV71013	
34A	Bolt-differential case to gear	12	QR-100, LR-100 QRR-100 15X1523 15X1626	Available as KIT 570. (SQR use KIT 2306)
34B	Washer - differential case to gear	12	1229U1503	
34C	Nut - differential case to gear	12	NL110-1	

~ = Not serviced separately.

* = Specify ratios. When changing ratios from standard to medium or fast, you must change differential cases.

PARTS LISTED IN THIS CATALOG ARE NOT NECESSARILY MANUFACTURED BY THE ORIGINAL EQUIPMENT MANUFACTURER AND ANY REFERENCE TO THE TRADEMARKS OR PART NUMBERS OF OTHERS ARE FOR CROSS REFERENCE INFORMATIONAL PURPOSES ONLY. THE TRADEMARKS OF OTHERS REFERRED TO HEREIN ARE OWNED BY THEIR RESPECTIVE COMPANIES AND ARE NOT AFFILIATED IN ANY WAY WITH MIDWEST TRUCK & AUTO PARTS, INC.® MOTIVE GEAR® AND WORLD AMERICAN® ARE THE REGISTERED TRADEMARKS OF MIDWEST TRUCK & AUTO PARTS, INC.® USE OF THE ® IN CONNECTION WITH A MARK OF MIDWEST TRUCK & AUTO PARTS, INC.® INDICATES THAT THE MARK IS REGISTERED IN AT LEAST THE UNITED STATES. NO REPRESENTATION IS MADE WITH RESPECT TO THE SOURCE OF MANUFACTURE OF ANY PARTICULAR PART. © 2005, MIDWEST TRUCK & AUTO PARTS, INC.® ALL RIGHTS RESERVED.

ROCKWELL®

SL/SQ-100 (Cont'd)

NOTE: THREAD LOCKING LIQUID/DIFFERENTIAL CASE HALVES

When assembling differential case halves in Rockwell International® axles, a thread locking adhesive should be used. The recommended procedure is as follows:

1. Wipe excess oil and residue from the threaded holes in the case. The holes should be relatively oil-free.
2. If **new bolts** are used, a yellow coating of Dri-Loc™ should appear on the threads. Assemble the case with these coated bolts to the required torque.
3. If the **original bolts** are reused or **regular bolts** without Dri-Loc™ are used, Rockwell® Part No. 2297C3747 should be used as a thread locking adhesive. **Apply the adhesive to the differential case holes only.** Thread the bolts and tighten to the required torque.

IMPORTANT: Do not apply Rockwell® Part No. 2297C3747 to Dri-Loc™ coated bolts. Refer to Rockwell® Service.

SL/SQ-100 (2" 39 SPLINE)

PART NUMBER	RATIO		AXLE	
A39424-1 **	FAST	3.42	SL/SQ-100 REAR	
A37326-1		3.55		
A38512-1 *		3.70 *		
A39168-1		3.73 *		
A38520-1		3.90		
A38730-1	MEDIUM	4.10	LR/QR-100P REAR-REAR	
A37382-1		4.33		
A37564-1		4.44		
A37566-1		4.63		
A37392-1	STANDARD	4.88		QRR RATIOS 3.42 TO 5.86
A37376-1		5.29		
A38822-1		5.86		
A38828-1		6.14		
A38526-1		6.83		
A38832-1		7.17		
A37306-2		7.80		

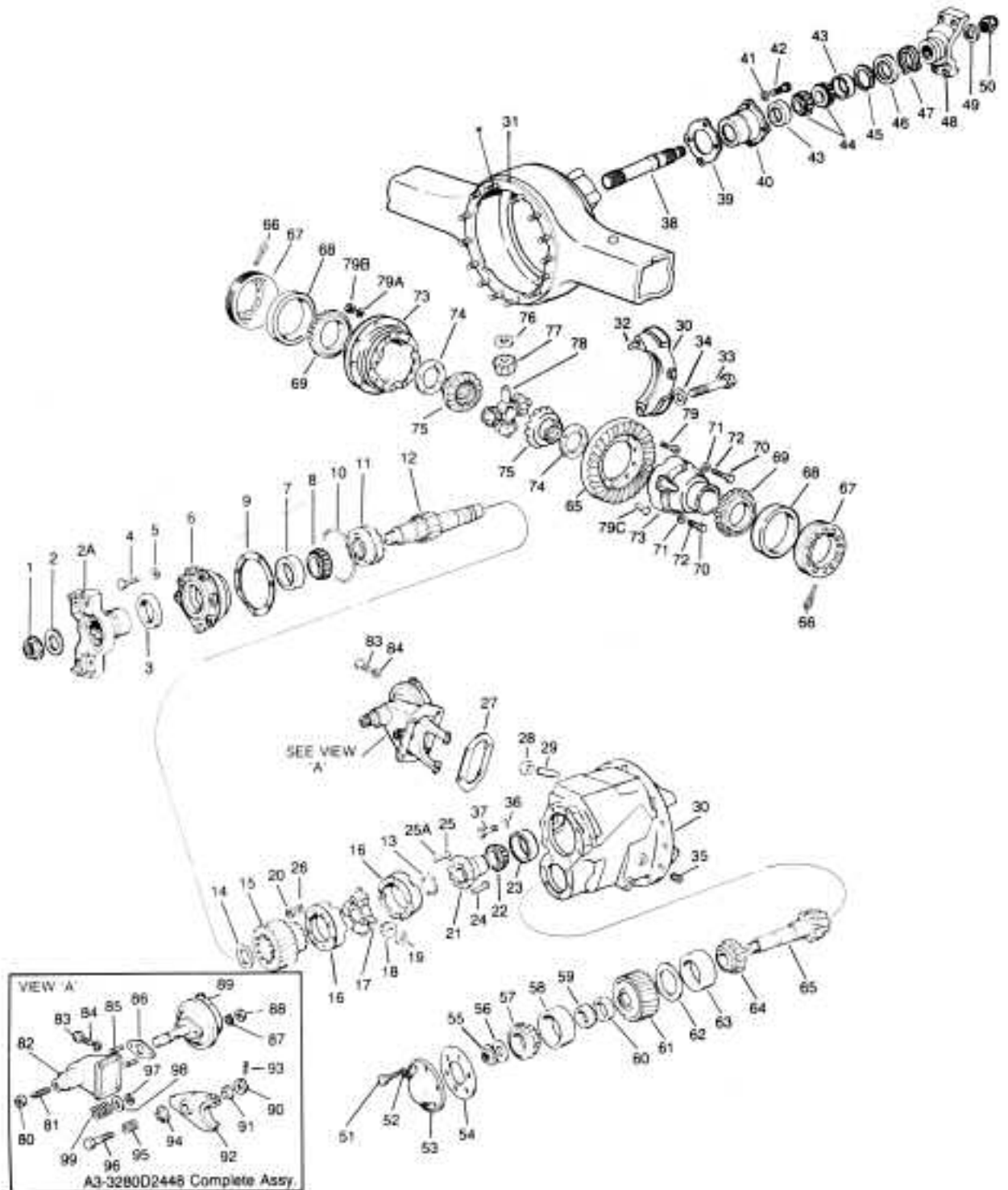
* = Non-interchangeable. 3.70 or 3.73 ratios must be the same for both Forward-Rear and Rear-Rear axle ratios. (i.e. 3.73 Forward-Rear and 3.73 Rear-Rear).

** = Available for SQ-100/P and SL-100/P only (with or without pump).

PARTS LISTED IN THIS CATALOG ARE NOT NECESSARILY MANUFACTURED BY THE ORIGINAL EQUIPMENT MANUFACTURER AND ANY REFERENCE TO THE TRADEMARKS OR PART NUMBERS OF OTHERS ARE FOR CROSS REFERENCE INFORMATIONAL PURPOSES ONLY. THE TRADEMARKS OF OTHERS REFERRED TO HEREIN ARE OWNED BY THEIR RESPECTIVE COMPANIES AND ARE NOT AFFILIATED IN ANY WAY WITH MIDWEST TRUCK & AUTO PARTS, INC.® MOTIVE GEAR® AND WORLD AMERICAN® ARE THE REGISTERED TRADEMARKS OF MIDWEST TRUCK & AUTO PARTS, INC.® USE OF THE ® IN CONNECTION WITH A MARK OF MIDWEST TRUCK & AUTO PARTS, INC.® INDICATES THAT THE MARK IS REGISTERED IN AT LEAST THE UNITED STATES. NO REPRESENTATION IS MADE WITH RESPECT TO THE SOURCE OF MANUFACTURE OF ANY PARTICULAR PART. © 2005, MIDWEST TRUCK & AUTO PARTS, INC.® ALL RIGHTS RESERVED.

ROCKWELL®

SSHD FRONT



PARTS LISTED IN THIS CATALOG ARE NOT NECESSARILY MANUFACTURED BY THE ORIGINAL EQUIPMENT MANUFACTURER AND ANY REFERENCE TO THE TRADEMARKS OR PART NUMBERS OF OTHERS ARE FOR CROSS REFERENCE INFORMATIONAL PURPOSES ONLY. THE TRADEMARKS OF OTHERS REFERRED TO HEREIN ARE OWNED BY THEIR RESPECTIVE COMPANIES AND ARE NOT AFFILIATED IN ANY WAY WITH MIDWEST TRUCK & AUTO PARTS, INC.® MOTIVE GEAR® AND WORLD AMERICAN® ARE THE REGISTERED TRADEMARKS OF MIDWEST TRUCK & AUTO PARTS, INC.® USE OF THE ® IN CONNECTION WITH A MARK OF MIDWEST TRUCK & AUTO PARTS, INC.® INDICATES THAT THE MARK IS REGISTERED IN AT LEAST THE UNITED STATES. NO REPRESENTATION IS MADE WITH RESPECT TO THE SOURCE OF MANUFACTURE OF ANY PARTICULAR PART. © 2005, MIDWEST TRUCK & AUTO PARTS, INC.® ALL RIGHTS RESERVED.

ROCKWELL®

SSHD FRONT

ITEM	DESCRIPTION	QTY	CARRIER	CARRIER	CARRIER	REMARKS
			3200-M-585 PART NUMBER DATE 1/74	3200-R-1162 PART NUMBER DATE 1/76	3200-P-1420 PART NUMBER DATE 1/83	
	Bearing, Seal & Gasket Kit		RA172FR	RA172FAR	RA172FBR	
1	Nut - input shaft	1	1227D940	1227D940	1227D940	
2	Washer - input shaft nut	1		1229S1605	1229S1605	
2A	Yoke/flange-input shaft	1				CALL YOUR SALES REP
3	Oil seal-input shaft bearing cage	1	417487	416470N	100494	
4	Capscrew-input shaft bearing case	7	S2712-2	S2712-2	S2712-2	
5	Washer-inut shaft bearing cage	7	1229E1513	1229E1513	1229E1513	
6, 7	Bearing cage assy. - input shaft	7	3226M351	KIT 2427	KIT 2427	
7	Bearing cup-input shaft bearing cage	1	313 (Ball bearing assy.)	JH211710	JH211710	
8	Bearing cone-input shaft brg. cage	1		JH211749	JH211749	
9	Shim-input bearing cage	3 2 1	2203G4089 2203H4090	2203Q6803 2203R6804 2203S6805	2203Q6803 2203R6804 2203S6805	
10	O-ring input shaft bearing	1	5X591	5X591	5X591	
11	Clutch collar	1	MPS2259	KIT 2427	KIT 2427	
1, 12, 13	Input shaft assy.	1	A1-3280S5609	KIT 2498	KIT 2498	
13	Retainer - Input shaft (snap ring)	1	1229R1604 ^ 1229L4354 ^^	1229V2570 ^ 1229L4354 ^^	1229V2570 ^ 1229L4354 ^^	Used before 7/24/89 Used after 7/24/89
14	Thrust washer - input shaft gear	1	1229M2769R	1229M2769R	1229M2769R	
15	Gear - input drive	1	3892F1826	3892F1826	3892F1826	
16~, 20, 25, 26	Case assy., - Inter-axle diff.	1	A3235W751	A1-3235G1801	A1-3235G1801	
16~ thru 19, 20, 25, 26	Case & nest assy. Inter-axle diff.	1	Must purchase A3235W751 & Items 17, 18, 19, 20 and 21A separately	A2-3235F1800	A2-3235F1800	
17	Spider - Inter-axle diff.	1	3278Y129	3278V1088	3278V1088	
18	Pinion - Inter-axle diff.	4	2233W153	2233W153	2233W153	
19	Thrust washer - Inter-axle diff. pinion	4	1229T1606	1229T1606	1229T1606	
20	Nut - Inter-axle diff. case bolt	8		NL27-1	NL27-1	SEE KIT 389
21	Side gear - Inter-axle diff.	1	2234F604	2234M793	2234M793	
21A	Washer - side gear - Inter-axle diff.	1	1229N1600			Not shown.
22	Bearing cone - Inter-axle diff. rear	1	MU1015DCV (Ball bearing assy.)	JLM714149	JLM714149	
23	Bearing cup - Inter-axle diff. rear	1		JLM714110	JLM714110	
24	Rivet - Inter-axle diff. case	8		17X234	17X234	
25	Bolt - Inter-axle diff. case	8	S2722A-1	S2726-1	S2726-1	*SEE KIT 389
25A	Thread locking liquid/diff. case	1	2297C3747	2297C3747	2297C3747	.34 oz. tube - SEE NOTE following parts listing.
26	Washer - Inter-axle diff. case bolt	16	1229E1513	1229E1513	1229E1513	SEE KIT 389 .
27	Gasket - Shift housing	1	2208G501	2208G501	2208G501	
28	Nut	1	13X41	13X41	13X41	
29	Screw-thrust	1	15X1025	15X1025	15X1025	
30~, 33, 32~, 34	Carrier & cap assy.	1	MPS2255	A2-3200P1420	A2-3200P1420	
31	Gasket - carrier to hsg. (Silastic)	3 oz.	1199T3842	1199T3842	1199T3842	SEE KIT 533
32~	Dowel-bearing cap	4	1898Z1066	1898Z1066	1898Z1066	
33	Capscrew - Diff. bearing cap	4	S21444-1	S21444-1	S21444-1	
34	Washer - Diff. bearing cap	4	1229T1554	1229T1554	1229M1625	
35	Plug-filler	1	P212	P212	1250E473	
36	Washer - carrier to housing	14		1229U1503	1229U1503	
37	Capscrew - carrier to housing	8		S21014-1	S21014-1	

~ - Not serviced separately.

^ = 1229R1604 & 1229V2570 are required for square cut groove.

^^ = 1229L4354 is required for round cut groove.

* = Specify ratios. When changing ratios from standard to medium or fast, you must change differential cases.

PARTS LISTED IN THIS CATALOG ARE NOT NECESSARILY MANUFACTURED BY THE ORIGINAL EQUIPMENT MANUFACTURER AND ANY REFERENCE TO THE TRADEMARKS OR PART NUMBERS OF OTHERS ARE FOR CROSS REFERENCE INFORMATIONAL PURPOSES ONLY. THE TRADEMARKS OF OTHERS REFERRED TO HEREIN ARE OWNED BY THEIR RESPECTIVE COMPANIES AND ARE NOT AFFILIATED IN ANY WAY WITH MIDWEST TRUCK & AUTO PARTS, INC.® MOTIVE GEAR® AND WORLD AMERICAN® ARE THE REGISTERED TRADEMARKS OF MIDWEST TRUCK & AUTO PARTS, INC.® USE OF THE ® IN CONNECTION WITH A MARK OF MIDWEST TRUCK & AUTO PARTS, INC.® INDICATES THAT THE MARK IS REGISTERED IN AT LEAST THE UNITED STATES. NO REPRESENTATION IS MADE WITH RESPECT TO THE SOURCE OF MANUFACTURE OF ANY PARTICULAR PART. © 2005, MIDWEST TRUCK & AUTO PARTS, INC.® ALL RIGHTS RESERVED.

ROCKWELL®

SSHD FRONT (Cont'd)

ITEM	DESCRIPTION	QTY	CARRIER	CARRIER	CARRIER	REMARKS
			3200-M-585 PART NUMBER DATE 1/74	3200-R-1162 PART NUMBER DATE 1/76	3200-P-1420 PART NUMBER DATE 1/83	
38	Thru-shaft	1	A3280Z2444 (Includes Item 50)	3280L6720	3280L6720	
39	Gasket - thru-shaft bearing cage	1	2208C445	2208C445	2208C445	
40~, 43	Cage assy. thru-shaft bearing	1	A3226X180	A3226W699	A3226W699	
41	Washer - thru-shaft bearing cage	4	1229K1597	1229U1503	1229K1597	
42	Capscrew - thru-shaft brg. cage	4	S268-2	S268-2	S268-2	
43	Bearing cup - thru-shaft inner & outer	2	210 (Ball brg. assy.)	JLM104910	JLM104910	
44	Bearing cone - thru-shaft	2		LM104949	LM104949	
45	Snap Ring - thru-shaft	1	1229L1598			CALL YOUR SALES REP
46	Oil seal - thru-shaft bearing cage	1	475322N	475322N	4874N	
47	Thrust washer - thru-shaft brg.	1		1229C2057	1229C2057	
48	Yoke/flange - thru-shaft	1				CALL YOUR SALES REP
49	Washer - thru-shaft rear yoke	1		1229T1736	1229T1736	
50	Nut - thru-shaft rear yoke	1	1227A937	1227J946	1227J946	
51	Capscrew - drive pinion brg. cover	6	S266-1	S266-1	S266-1	
52	Washer - drive pinion brg. cover	6	1229C1017	1229C1017	1229C1017	
53	Cover - drive pinion bearing	1	3262H112	3262H112	3262H112	
54	Gasket - drive pinion brg. cover	1	2208F500	2208F500	2208F500	
55	Nut - drive pinion shaft	1	1227D940	1227D940	1227D940	
56	Washer - drive pinion shaft	1	1229S1605	1229S1605	1229S1605	
57	Bearing cone - drive pinion outer	1	65237	65237	65237	
58	Bearing cup - drive pinion outer	1	65500	65500	65500	
59	Spacer - drop gear box	1	1244G787	1244G787	1244G787	
60	Spacer - pinion bearing	As req.				CALL YOUR SALES REP
61	Gear-driven drop box	1	3892D1798	3892D1798	3892D1798	
62	Shim-drive	.003	2203F2788	2203F2788	2203F2788	
		.005	2203G2789	2203G2789	2203G2789	
		.010	2203H2790	2203H2790	2203H2790	
63	Bearing cup - drive pinion inner	1	H715311	H715311	H715311	
64	Bearing cone - drive pinion outer	1	H715343	H715343	H715343	
65~	Drive gear & pinion assy.	1				See Page 127
66	Cotter-diff. bearing adj. ring	2	1199M2457	1199M2457	1199M2457	
67	Adj. ring-diff. bearing	2	2214X50	2214X50	2214X50	
68	Bearing cup - diff.	2	47820	47820	47820	
69	Bearing cone - diff.	2	47890	47890	47890	
70	Capscrew diff. case	Short	S21020A-1	S21020A-1	S21020A-1	
		Long	S21028A-1	S21028A-1	S21028A-1	
71	Washer - diff. case capscrew	12	1229U1503	1229U1503	1229U1503	
72	Thread locking liquid/diff. case	1	2297C3747	2297C3747	2297C3747	.34 oz. tube - SEE NOTE following parts listing.
73~, 70, 72, 72	Diff. case assy. - main	1	A32-3235N1106	A32-3235N1106	A3235N1678	Standard ratio
		1	A39-3235Q1109	A39-3235Q1109	A3235Q1681	Fast ratio
70 thru 78	Diff. case & nest assy - main (for axle using 2-1/4" - 23 spline)	1	A4-3235N1106	A4-3235N1106	A3-3235N1678	Standard ratio
78		1	A6-3235Q1109	A6-3235Q1109	A3-3235Q1681	Fast ratio
70 thru 78	Diff. case & nest assy - main (for axle using 2-3/8" - 24 spline)	1	A1-3235N1106	A1-3235N1106	A1-3235N1678	Standard ratio
78		1	A1-3235Q1109	A1-3235Q1109	A1-3235Q1681	Fast ratio
74	Thrust washer - diff. side gear	2	1229E993	1229E993	1229E993	
75	Side gear 23 Spline	2	2234K271	2234K271	2234K271	No-Spin™ A3230V22
	main diff. 24 Spline	2	2234F344	2234F344	2234F344	No-Spin™ A3230W23
76	Thrust washer - diff. pinion	4	1229D992	1229D992	1229D992	
77	Pinion - diff.	4	2233U99	2233U99	2233U99	
78	Spider - diff.	1	3278A79	3278A79	3278A79	
79	Capscrew	12	15X1707	15X1707	15X1707	
79A	Washer - gear to case	12	1229U1503	1229U1503	1229U1503	
79B	Nut - gear to case	12	NL110-1	NL110-1	NL110-1	

~ - Not serviced separately.

^ = 1229R1604 & 1229V2570 are required for square cut groove.

^^ = 1229L4354 is required for round cut groove.

PARTS LISTED IN THIS CATALOG ARE NOT NECESSARILY MANUFACTURED BY THE ORIGINAL EQUIPMENT MANUFACTURER AND ANY REFERENCE TO THE TRADEMARKS OR PART NUMBERS OF OTHERS ARE FOR CROSS REFERENCE INFORMATIONAL PURPOSES ONLY. THE TRADEMARKS OF OTHERS REFERRED TO HEREIN ARE OWNED BY THEIR RESPECTIVE COMPANIES AND ARE NOT AFFILIATED IN ANY WAY WITH MIDWEST TRUCK & AUTO PARTS, INC.® MOTIVE GEAR® AND WORLD AMERICAN® ARE THE REGISTERED TRADEMARKS OF MIDWEST TRUCK & AUTO PARTS, INC.® USE OF THE ® IN CONNECTION WITH A MARK OF MIDWEST TRUCK & AUTO PARTS, INC.® INDICATES THAT THE MARK IS REGISTERED IN AT LEAST THE UNITED STATES. NO REPRESENTATION IS MADE WITH RESPECT TO THE SOURCE OF MANUFACTURE OF ANY PARTICULAR PART. © 2005, MIDWEST TRUCK & AUTO PARTS, INC.® ALL RIGHTS RESERVED.

ROCKWELL®

SSHD FRONT (Cont'd)

ITEM	DESCRIPTION	QTY	CARRIER	CARRIER	CARRIER
			3200-M-585	3200-R-1162	3200-P-1420
			PART NUMBER	PART NUMBER	PART NUMBER
			DATE 1/74	DATE 1/76	DATE 1/83
79C	Rivet - bevel gear to case	12	RV71016	RV71016	RV71016
80	Nut-jam	1	N18-1	N18-1	N18-1
81	Adj. screw - shift housing	1	S1811-1	3X338	3X338
82, 85	Shift housing assy.	1	A3280D2448	A3280D2448	A3280D2448
83	Capscrew - Shift housing	4	S268-2	S268-2	S268-2
84	Washer - Shift housing capscrew	4	1229C1017	1229C1017	1229C1017
85	Capscrew - chamber to housing	2	SN613-1	S268-2	S268-2
86	Gasket - chamber to housing	1	2208M429	2208M429	2208M429
87	Washer - chamber to housing stud	2	1229B1666	1229B1666	1229B1666
88	Nut - chamber to housing stud	2	N16-1	N16-1	N16-1
89	Chamber assy. - air shift	1	A3261C289	A3261C289	A3261C289
90	Nut - shift fork bolt	1	NL16-1	NL16-1	NL16-1
91	Ball - shift fork	1	1199V1712	1199V1712	1199V1712
92, 93~	Shift fork assy.	1	MPS2637	A1-2297D862	A1-2297D862
94	Washer - inner shift fork	1	1229E1513	1229M1599	1229M1599
95	Spring - shift fork	1	2258R408	2258R408	2258R408
96	Bolt - shift fork	1	15X1337	15X1337	15X1337
97	Washer - shift assy. lock	1	1229C1407	1229W1245	1229W1245
98	Washer - shift spring	1	1229R798	1229R798	1229R798
99	Spring - shift	1	2258L402	2258L402	2258L402

NOTE: THREAD LOCKING LIQUID/DIFFERENTIAL CASE HALVES

When assembling differential case halves in Rockwell International® axles, a thread locking adhesive should be used. The recommended procedure is as follows:

1. Wipe excess oil and residue from the threaded holes in the case. The holes should be relatively oil-free.
2. If **new bolts** are used, a yellow coating of Dri-Loc™ should appear on the threads. Assemble the case with these coated bolts to the required torque.
3. If the **original** bolts are reused or **regular bolts** without Dri-Loc™ are used, Rockwell® Part No. 2297C3747 should be used as a thread locking adhesive. **Apply the adhesive to the differential case holes only.** Thread the bolts and tighten to the required torque.

IMPORTANT: Do not apply Rockwell® Part No. 2297C3747 to Dri-Loc™ coated bolts. Refer to Rockwell® Service.

SSHD (ALL MODELS FORWARD-REAR WITH 2 5/8" - 26 SPLINE - EXCEPT PUMP VERSION) *

PART NUMBER	RATIO		AXLE
	FAST	STANDARD	
A40160-1	FAST	3.73	SHD, THD, and UHD
A40162-1		3.90	
A40164-1		4.10	
A40170-1		4.30	
A40036-1		4.56	
A40172-1		4.63	
A40176-1	STANDARD	4.89	
A40178-1		5.29	
A40046-1		5.38	
A40180-1		5.57	
A40182-1		6.14	
A40306-1		6.83	
A40502-1		7.40	

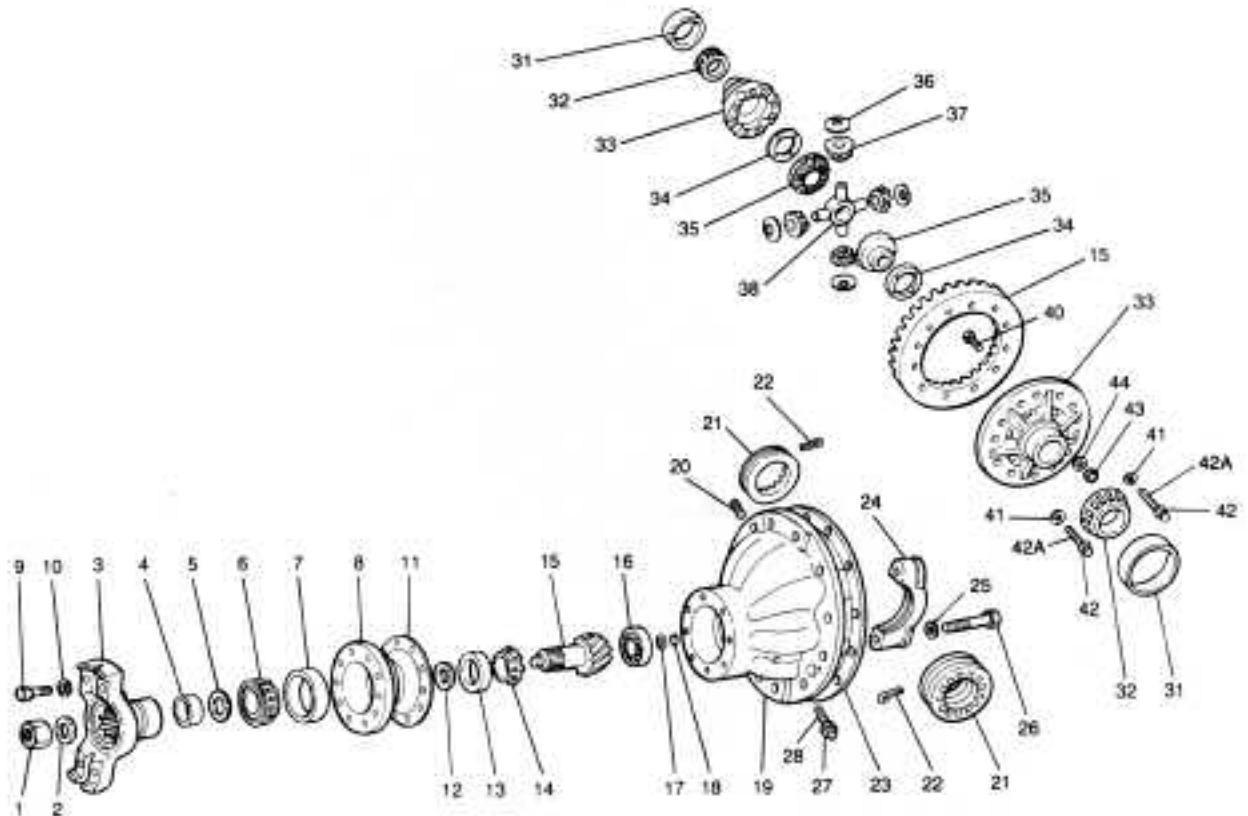
~ - Not serviced separately.

* = NOTE: The above gear sets are to be used with the optional oil pump only, and are not interchangeable with 3200R1162 or 3200P1420 carrier.

PARTS LISTED IN THIS CATALOG ARE NOT NECESSARILY MANUFACTURED BY THE ORIGINAL EQUIPMENT MANUFACTURER AND ANY REFERENCE TO THE TRADEMARKS OR PART NUMBERS OF OTHERS ARE FOR CROSS REFERENCE INFORMATIONAL PURPOSES ONLY. THE TRADEMARKS OF OTHERS REFERRED TO HEREIN ARE OWNED BY THEIR RESPECTIVE COMPANIES AND ARE NOT AFFILIATED IN ANY WAY WITH MIDWEST TRUCK & AUTO PARTS, INC.® MOTIVE GEAR® AND WORLD AMERICAN® ARE THE REGISTERED TRADEMARKS OF MIDWEST TRUCK & AUTO PARTS, INC.® USE OF THE ® IN CONNECTION WITH A MARK OF MIDWEST TRUCK & AUTO PARTS, INC.® INDICATES THAT THE MARK IS REGISTERED IN AT LEAST THE UNITED STATES. NO REPRESENTATION IS MADE WITH RESPECT TO THE SOURCE OF MANUFACTURE OF ANY PARTICULAR PART. © 2005, MIDWEST TRUCK & AUTO PARTS, INC.® ALL RIGHTS RESERVED.

ROCKWELL®

SHR, THR, UHR REAR



PARTS LISTED IN THIS CATALOG ARE NOT NECESSARILY MANUFACTURED BY THE ORIGINAL EQUIPMENT MANUFACTURER AND ANY REFERENCE TO THE TRADEMARKS OR PART NUMBERS OF OTHERS ARE FOR CROSS REFERENCE INFORMATIONAL PURPOSES ONLY. THE TRADEMARKS OF OTHERS REFERRED TO HEREIN ARE OWNED BY THEIR RESPECTIVE COMPANIES AND ARE NOT AFFILIATED IN ANY WAY WITH MIDWEST TRUCK & AUTO PARTS, INC.® MOTIVE GEAR® AND WORLD AMERICAN® ARE THE REGISTERED TRADEMARKS OF MIDWEST TRUCK & AUTO PARTS, INC.® USE OF THE ® IN CONNECTION WITH A MARK OF MIDWEST TRUCK & AUTO PARTS, INC.® INDICATES THAT THE MARK IS REGISTERED IN AT LEAST THE UNITED STATES. NO REPRESENTATION IS MADE WITH RESPECT TO THE SOURCE OF MANUFACTURE OF ANY PARTICULAR PART. © 2005, MIDWEST TRUCK & AUTO PARTS, INC.® ALL RIGHTS RESERVED.

ROCKWELL®

SHR, THR, UHR - REAR

ITEM	DESCRIPTION	QTY	CARRIER	CARRIER	REMARKS
			3200-H-606	3200-C-1433	
			PART NUMBER	PART NUMBER	
			DATE 1/74	DATE 1/83	
	Bearing, Seal & Gasket Kit		RA172RR		
1	Nut-drive pinion	1	1227J946	1227J946	
2	Washer-drive pinion nut	1	1229T1736	1229T1736	
3	Yoke/flange-input	1			CALL YOUR SALES REP
4	Oil seal-yoke flange	1	476283N	4876N	
5	Thrust washer-bearing	1	1229E1071	1229E1071	
6	Bearing cone-outer	1	H715334	H715334	
7	Bearing cup-outer	1	H715311	H715311	
8	Cage & cup assy. - drive pinion	1	A3226T878	A3226L896	
9	Capscrew - bearing cage	8	S2813-1	S2813-1	
10	Washer - bearing cage capscrew	8	1229C1511	1229C1511	
11	Shim-pinion .003	1	2203L1260	2203L1260	
	bearing cage .005	1	2203A469	2203A469	
	.010	3	2203B470	2203B470	
12	Spacers - drive pinion	2			CALL YOUR SALES REP
13	Bearing cup - inner	1	H715311	H715311	
14	Bearing cone - inner	1	H715343	H715343	
15	Drive gear & pinion assy.	1			See Page 130
16	Rear bearing - drive pinion	1	MU1308UM	MU1308UM	Roller bearing
17	Retainer - rear bearing	1	1199Z1430	1199Z1430	
18	Lock ring - rear bearing	1	1229U1113	1229U1113	
19	Carrier & cap assy.	1	A2-3200C1433	A2-3200C1433	
20	Plug-carrier filler	1	P212	P212	
21	Adj. ring differential bearing	2	2214X50	2214X50	L.H. & R.H.
22	Cotter-bearing adj. ring	2	1199M2457	1199M2457	
23	Gasket - carrier to housing (Silastic)	3 oz.	1199T3842	1199T3842	
24~	Bearing cap - differential	--	--	--	Part of Item 19
25	Washer - differential bearing cap	4	1229T1554	1229T1554	
26	Bolt - differential bearing cap	4	S21444-1	S-21444-1	
27	Nut-thrust screw	1	13X41	13X41	
28	Screw-thrust	1	15X1025	15X1025	
31	Bearing cup - differential	2	47820	47820	L.H. & R.H.
32	Bearing cone - differential	2	47890	47890	L.H. & R.H.
33~, 41, 42, 42A	Diff. case assy. - case only	1	A32-3235N1106	A3235N1678	Standard ratios
		1	A39-3235Q1109	A3235Q1681	Fast ratios
33~ thru 38, 41, 42, 42A	Diff. case & nest assy. (for axles using 2-1/4" - 23 spline	1	A4-3235N1106	A3-3235N1678	Standard ratios
		1	A6-3235Q1109	A3-3235Q1681	Fast ratios
33~ thru 38, 41, 42, 42A	Diff. case & nest assy. (for axles using 2-3/8" - 24 spline	1	A1-3235N1106	A1-3235N1678	Standard ratios
		1	A1-3235Q1109	A1-3235Q1681	Fast ratios
34	Thrust washer - side gear	2	1229E993	1229E993	SEE KITS 327, 347, 348, & 383
35	Side gear 23 Spline	2	2234K271	2234K271	KITS 327 & 347
	differential 24 Spline	2	2234F344	2234F344	KITS 348 & 383
36	Thrust washer - diff. pinion	4	1229D992	1229D992	KITS 327 or 383 with
37	Pinion - differential	4	2233U99	2233U99	spider. KITS 347 or 348
38	Spider - differential	1	3278A79	3278A79	3278A79 less spider
39	Rivet - gear to case	12	RV71016	RV71016	
40	Bolt - gear to case	12	15X1474	15X1474	SEE KIT 948
41	Washer - diff. case	12	1229U1503	1229U1503	SEE KIT 948
42	Bolt - diff. case Short	4	S21020A-1	S21020A-1	
	Long	8	S21028A-1	S21028A-1	
42A	Thread locking liquid/diff. case	1	2297C3747	2297C3747	.34 oz. tube - SEE NOTE NEXT PAGE
43	Nut-gear to case	12	NL110-1	NL110-1	SEE KIT 948
44	Washer - gear to case	12	1229U1503	1229U1503	

~ - Not serviced separately.

PARTS LISTED IN THIS CATALOG ARE NOT NECESSARILY MANUFACTURED BY THE ORIGINAL EQUIPMENT MANUFACTURER AND ANY REFERENCE TO THE TRADEMARKS OR PART NUMBERS OF OTHERS ARE FOR CROSS REFERENCE INFORMATIONAL PURPOSES ONLY. THE TRADEMARKS OF OTHERS REFERRED TO HEREIN ARE OWNED BY THEIR RESPECTIVE COMPANIES AND ARE NOT AFFILIATED IN ANY WAY WITH MIDWEST TRUCK & AUTO PARTS, INC.® MOTIVE GEAR® AND WORLD AMERICAN® ARE THE REGISTERED TRADEMARKS OF MIDWEST TRUCK & AUTO PARTS, INC.® USE OF THE ® IN CONNECTION WITH A MARK OF MIDWEST TRUCK & AUTO PARTS, INC.® INDICATES THAT THE MARK IS REGISTERED IN AT LEAST THE UNITED STATES. NO REPRESENTATION IS MADE WITH RESPECT TO THE SOURCE OF MANUFACTURE OF ANY PARTICULAR PART. © 2005, MIDWEST TRUCK & AUTO PARTS, INC.® ALL RIGHTS RESERVED.

ROCKWELL®

SHR, THR, UHR (Cont'd)

NOTE: THREAD LOCKING LIQUID/DIFFERENTIAL CASE HALVES

When assembling differential case halves in Rockwell International® axles, a thread locking adhesive should be used. The recommended procedure is as follows:

1. Wipe excess oil and residue from the threaded holes in the case. The holes should be relatively oil-free.
2. If **new bolts** are used, a yellow coating of Dri-Loc™ should appear on the threads. Assemble the case with these coated bolts to the required torque.
3. If the **original bolts** are reused or **regular bolts** without Dri-Loc™ are used, Rockwell® Part No. 2297C3747 should be used as a thread locking adhesive. **Apply the adhesive to the differential case holes only.** Thread the bolts and tighten to the required torque.

IMPORTANT: Do not apply Rockwell® Part No. 2297C3747 to Dri-Loc™ coated bolts. Refer to Rockwell® Service.

SSHD (ALL MODELS REAR-REAR WITH 2" - 39 SPLINE)

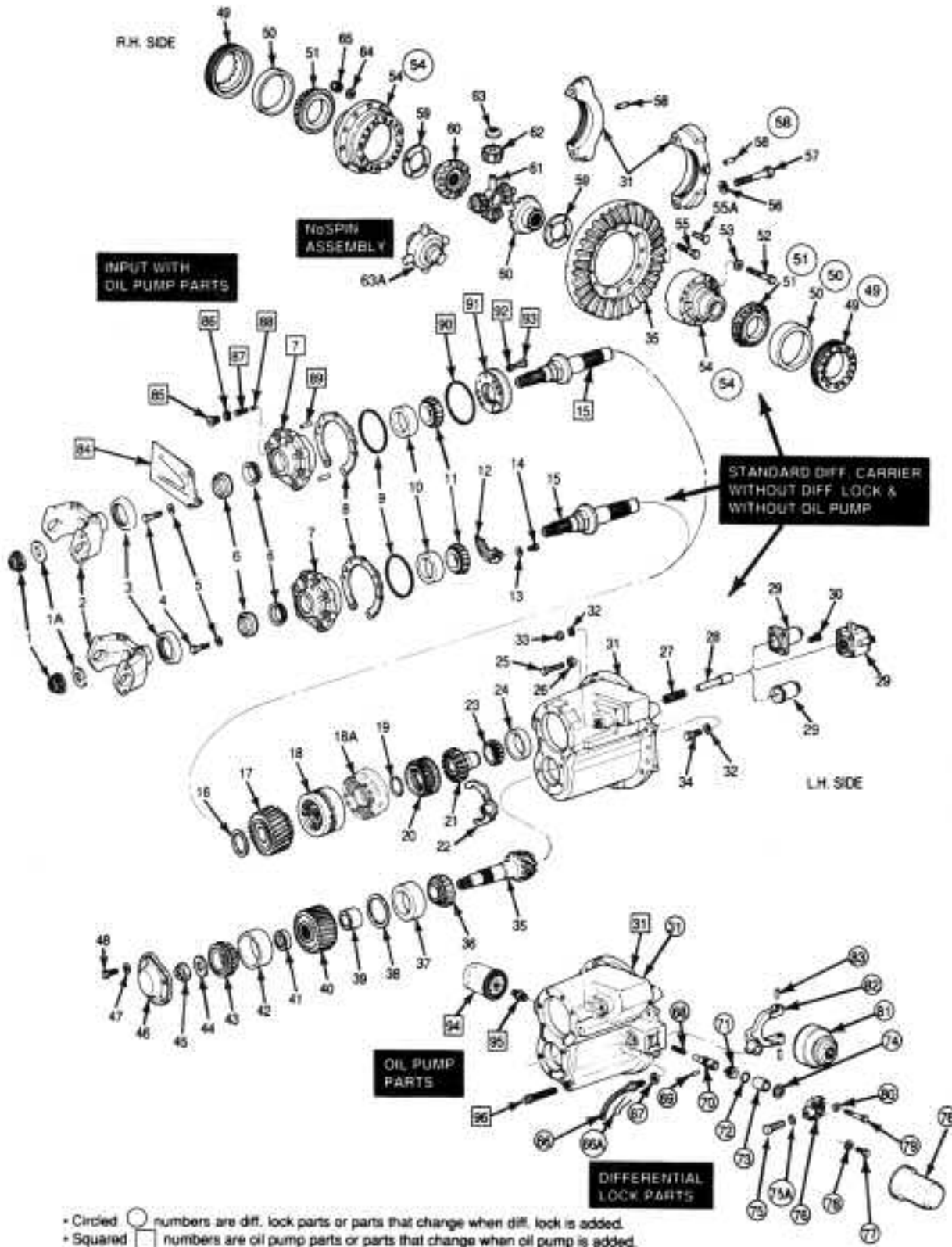
PART NUMBER	RATIO		AXLE
	FAST		
A40504-1	FAST	3.73	ALL MODELS REAR-REAR SHR,THR&UHR
A40534-1		3.90	
A40536-1		4.10	
A40542-1		4.30	
A40074-1		4.56	
A40544-1		4.63	
A40546-1	STANDARD	4.89	
A40674-1		5.29	
A40088-1		5.38	
A40676-1		5.57	
A40678-1		6.14	
A40680-1		6.83	
A40682-1		7.40	

SSHD (ALL MODELS REAR-REAR WITH 1-31/32" - 10 SPLINE)

PART NUMBER	RATIO		AXLE
	FAST		
A40536-3	FAST	4.11	ALL MODELS REAR-REAR SHR, THR & UHR
A40542-3		4.33	
A40544-3		4.63	
A40546-3	STANDARD	4.89	
A40674-6		5.29	
A40676-3		5.57	
A40678-3		6.17	
A40680-6		6.83	
A40682-5		7.40	

PARTS LISTED IN THIS CATALOG ARE NOT NECESSARILY MANUFACTURED BY THE ORIGINAL EQUIPMENT MANUFACTURER AND ANY REFERENCE TO THE TRADEMARKS OR PART NUMBERS OF OTHERS ARE FOR CROSS REFERENCE INFORMATIONAL PURPOSES ONLY. THE TRADEMARKS OF OTHERS REFERRED TO HEREIN ARE OWNED BY THEIR RESPECTIVE COMPANIES AND ARE NOT AFFILIATED IN ANY WAY WITH MIDWEST TRUCK & AUTO PARTS, INC.® MOTIVE GEAR® AND WORLD AMERICAN® ARE THE REGISTERED TRADEMARKS OF MIDWEST TRUCK & AUTO PARTS, INC.® USE OF THE ® IN CONNECTION WITH A MARK OF MIDWEST TRUCK & AUTO PARTS, INC.® INDICATES THAT THE MARK IS REGISTERED IN AT LEAST THE UNITED STATES. NO REPRESENTATION IS MADE WITH RESPECT TO THE SOURCE OF MANUFACTURE OF ANY PARTICULAR PART. © 2005, MIDWEST TRUCK & AUTO PARTS, INC.® ALL RIGHTS RESERVED.

ROCKWELL® WORLD AXLE



PARTS LISTED IN THIS CATALOG ARE NOT NECESSARILY MANUFACTURED BY THE ORIGINAL EQUIPMENT MANUFACTURER AND ANY REFERENCE TO THE TRADEMARKS OR PART NUMBERS OF OTHERS ARE FOR CROSS REFERENCE INFORMATIONAL PURPOSES ONLY. THE TRADEMARKS OF OTHERS REFERRED TO HEREIN ARE OWNED BY THEIR RESPECTIVE COMPANIES AND ARE NOT AFFILIATED IN ANY WAY WITH MIDWEST TRUCK & AUTO PARTS, INC.® MOTIVE GEAR® AND WORLD AMERICAN® ARE THE REGISTERED TRADEMARKS OF MIDWEST TRUCK & AUTO PARTS, INC.® USE OF THE ® IN CONNECTION WITH A MARK OF MIDWEST TRUCK & AUTO PARTS, INC.® INDICATES THAT THE MARK IS REGISTERED IN AT LEAST THE UNITED STATES. NO REPRESENTATION IS MADE WITH RESPECT TO THE SOURCE OF MANUFACTURE OF ANY PARTICULAR PART. © 2005, MIDWEST TRUCK & AUTO PARTS, INC.® ALL RIGHTS RESERVED.

ROCKWELL® WORLD AXLE

FORWARD CARRIERS OF TANDEM AXLES MODELS: 140, 141 & 145 SERIES (Cont'd)

ITEM	DESCRIPTION	REMARKS	CARRIER	QTY	PART NUMBER
	Bearing, Seal & Gasket Kit				CALL YOUR SALES REP
1	Nut-Input Yoke and Shaft	SEE KIT 2637 SEE KIT 2638	All prior to 11/93 All after 11/93	1 1	40X1237 40X1233
1A	Washer - Input Shaft Nut	SEE KIT 2637 SEE KIT 2638	All prior to 11/93 All after 11/93	1 1	1229T1736 1229W4521
2, 3	Yoke and Deflector Assy - Input			1	CALL YOUR SALES REP
4	Capscrew - Input Bearing Cage			7	MS212045-1
5	Washer - Input Bearing Cage		All	7	1229C1511
6	Oil Seal - Input Bearing Cage	3" I.D. 3.25" I.D.	All prior to 11/93 All after 11/93	1 1	30007CR 100494
7	Bearing Cage and Cup Assy - Input (Includes Item 10)		All w/o pump prior to 11/93 All with pump prior to 11/93 All w/o pump after 11/93 All with pump after 11/93	1 1 1 1	A3226B1224 A3226Z1222 A3226V1296 A3226D1226
8	Shims - Input Bearing Cage	.075 mm/.003 inch .125 mm/.005 inch .250 mm/.010 inch	All	Use as req.	2203K9241 2203L9242 2203M9243
9	O-Ring - Input Bearing Cage		Less pump With pump	1 2	5X1034 5X1034
10	Cup - Outer Input Shaft Bearing		All	1	3920
11	Cone - Outer Input Shaft Bearing		All prior to 11/93 All after 11/93	1 1	JM511946 JM511945
12	Baffle - Oil		All w/o pump	1	3221P100
13	Washer - Oil Baffle			3	1229E1669
14	Capscrew - Oil Baffle			3	MS208016-1
15	Input Shaft and Nut Assy (Includes Item 1)	Less pump 2" - 39 Spline Less pump 2.38" - 46 Spline	All manufactured prior to 11/93 All manufactured after 11/93	1 1	A1-3297Q1161 A3297U1347
	Input Shaft, Nut and Ball Assy (Includes Item 1)	Pump driven off flats on the input shaft 2" - 39 Spline Pump driven off splines on the input shaft 2" - 39 Spline 2.38" - 46 Spline With pump	All manufactured prior to 8/91 All manufactured from 8/91 to 11/93 All manufactured after 11/93	1 1 1	KIT 2623 A3297Q1161 A3297T1346
16	Thrust Washer - Helical Drive Gear		All	1	1229A4785
17	Helical Gear and Forward Side Gear		All	1	3892R4932
18	Diff. Case and Pinion Nest Assy Inter-axle	Welded	All except 1624 prior to 10/98	1	A3235W2025
18A	Diff. Case and Pinion Nest Assy Inter-axle	Bolted	1624 Carrier 1978, 1979, 1980, 1981 1982, 1984, 1986, 1987, 1988 Carriers after 10/98	1 1	KIT 2743 A3235N2380
19	Snap-Ring - Inter-axle Diff.		All	1	2297E5335
20	Clutch Collar - Inter-axle Diff.			1	3107M1183
21	Side Gear - Inter-axle Diff.		All	1	2234R1188
22	Shift Fork - Inter-axle Diff.		All	1	A3296A1093
23	Cone - Inner Input Shaft		All	1	JLM710949C
24	Cup - Inner Input Shaft		All	1	JLM710910
25	Adjusting Screw - Shift Shaft		All	1	41X1208

PARTS LISTED IN THIS CATALOG ARE NOT NECESSARILY MANUFACTURED BY THE ORIGINAL EQUIPMENT MANUFACTURER AND ANY REFERENCE TO THE TRADEMARKS OR PART NUMBERS OF OTHERS ARE FOR CROSS REFERENCE INFORMATIONAL PURPOSES ONLY. THE TRADEMARKS OF OTHERS REFERRED TO HEREIN ARE OWNED BY THEIR RESPECTIVE COMPANIES AND ARE NOT AFFILIATED IN ANY WAY WITH MIDWEST TRUCK & AUTO PARTS, INC.® MOTIVE GEAR® AND WORLD AMERICAN® ARE THE REGISTERED TRADEMARKS OF MIDWEST TRUCK & AUTO PARTS, INC.® USE OF THE ® IN CONNECTION WITH A MARK OF MIDWEST TRUCK & AUTO PARTS, INC.® INDICATES THAT THE MARK IS REGISTERED IN AT LEAST THE UNITED STATES. NO REPRESENTATION IS MADE WITH RESPECT TO THE SOURCE OF MANUFACTURE OF ANY PARTICULAR PART. © 2005, MIDWEST TRUCK & AUTO PARTS, INC.® ALL RIGHTS RESERVED.

ROCKWELL® WORLD AXLE

FORWARD CARRIERS OF TANDEM AXLES MODELS: 140, 141 & 145 SERIES (Cont'd)

ITEM	DESCRIPTION	REMARKS	CARRIER	QTY	PART NUMBER
26	Jam Nut - Adjusting Screw		All	1	MN3121
27	Spring - Shift Shaft Return		All except "reverse air"	1	2258U411
28	Shift Shaft - Inter-axle Diff.	Bolt on Style, Navistar® on "reverse-air"	Use KIT 2686 which includes Items 28 & 29D	1	2244K1025
				1	2244D1070
29	Shift Assy - Inter-axle Diff. Air	Bolt on Style, serviced as assembly only		1	A3261L350
		Screw-in Style, serviced as assembly only	Can purchase 5X1198 O-ring separately	1	A2-3261Q1057
		Bolt on Style, Navistar® only "reverse air"	Includes Items 28 and 29A-29N	1	A3261F1046
29A	Snap Ring	Bolt on Style,	Available in KIT 2709	1	1229P4280
29B	Spring - Shift	Navistar® only		1	2258E1175
29C	Gasket - Shift Assembly	"reverse air"		1	2208R1058
29D	Cover - Shift Assembly		Available in KIT 2686	1	3266Q1161
29E	Washer - Shift Assembly Capscrew	Items 29A-29N available as KIT 2445		6	MWA506
29F	Capscrew - Shift Assembly Short			2	41X1080
29G	Capscrew - Shift Assembly to Carrier			4	MS206060-1
29H	O'Ring		Available in KIT 2709	1	5X1196
29J	O'Ring			1	5X1197
29K	O'Ring			1	5X1195
29L	Housing - Shift			1	3261F1046
29M	Piston - Shift Assembly			1	2230D1096
29N	Snap Ring			1	1229W1245
30	Capscrew - Air Shift Assy		1624, 1645, 1662, 1677	1	41X1209
31	Differential Carrier and Cap Assy. (Includes Items 56 and 57) (KITS include Carrier and Cap Assy, and screw-in IAD Shifter. Main Diff. Lock components included where applicable.)	Without Pump, with Diff. Lock and Bolt on IAD Shifter	All 1677 except Navistar® "reverse shift"	1	KIT 2704
		With Pump, diff. Lock and Bolt on IAD Shifter	All 1624 except Navistar® "reverse shift"	1	KIT 2705
		Without Pump or Diff. Lock, with Bolt on IAD Shifter	All 1645 except Navistar® "reverse shift"	1	KIT 2706
		With Pump, w/o Diff. Lock with Bolt on IAD Shifter	All 1662 except Navistar® "reverse shift"	1	KIT 2707
		With Pump, w/o Diff. Lock, with Bolt on IAD Shifter and Thrust Screw	3200X1662 "reverse shift" only	1	A2-3200X1662
		Without Pump, w/o Diff. Lock, for use with Bolt on IAD Shifter and Thrust Screw	3200G1645 "reverse shift" only	1	A2-3200G1645
		With Pump, with bolt on Diff. Lock and IAD shifter, with Thrust Screw	3200L1624 3200D1902 "reverse shift" only	1	A2-3200D1902
		With Pump, with Bolt on Diff. Lock and IAD Shifter, with thrust screw	3200M1677 3200E1903 "reverse shift" only	1	A2-3200E1903
		Without Pump or Diff. Lock, with Screw-in IAD Shifter	3200T1814 3200B1978	1	A2-3200B1978

PARTS LISTED IN THIS CATALOG ARE NOT NECESSARILY MANUFACTURED BY THE ORIGINAL EQUIPMENT MANUFACTURER AND ANY REFERENCE TO THE TRADEMARKS OR PART NUMBERS OF OTHERS ARE FOR CROSS REFERENCE INFORMATIONAL PURPOSES ONLY. THE TRADEMARKS OF OTHERS REFERRED TO HEREIN ARE OWNED BY THEIR RESPECTIVE COMPANIES AND ARE NOT AFFILIATED IN ANY WAY WITH MIDWEST TRUCK & AUTO PARTS, INC.® MOTIVE GEAR® AND WORLD AMERICAN® ARE THE REGISTERED TRADEMARKS OF MIDWEST TRUCK & AUTO PARTS, INC.® USE OF THE ® IN CONNECTION WITH A MARK OF MIDWEST TRUCK & AUTO PARTS, INC.® INDICATES THAT THE MARK IS REGISTERED IN AT LEAST THE UNITED STATES. NO REPRESENTATION IS

ROCKWELL® WORLD AXLE

FORWARD CARRIERS OF TANDEM AXLES MODELS: 140, 141 & 145 SERIES (Cont'd)

ITEM	DESCRIPTION	REMARKS	CARRIER	QTY	PART NUMBER
31 (cont'd)	Differential Carrier and Cap Assy. (Includes Items 56 and 57) (KITS include carrier and cap assy and screw-in IAD shifter. Main diff. lock components included where applicable.)	Without pump or Diff. Lock with Screw-in IAD Shifter and Thrust Screw	3200B1874 3200D1980	1	A2-3200D1980
		Without Pump, with screw-in Diff. Lock and IAD Shifter.	3200U1815 3200R1890 3200E1981	1	A2-3200E1981
		Without Pump, with screw-in Diff. Lock and IAD Shifter, with Thrust Screw	3200C1875 3200G1905 3200F1982	1	A2-3200F1982
		With Pump, w/o Diff. Lock, with screw-in IAD Shifter	3200V1816 3200H1984	1	A2-3200H1984
		With Pump, w/o Diff. Lock, with screw-in and IAD Shifter, with Thrust Screw	3200D1876 3200J1986	1	A2-3200J1986
		With Pump, with screw-in Diff. Lock and IAD Shifter	3200W1817 3200P1888 3200K1987	1	A2-3200K1987
		With Pump, with screw-in Diff. Lock and IAD Shifter, with Thrust Screw	3200E1877 3200H1906 3200L1988	1	A2-3200L1988
		Without Pump, w/o Diff. Lock, for use with Internal ABS sensor, screw-in IAD Shifter	3200F1852	1	A2-3200F1852
		With Pump, w/o Diff. Lock, with screw-in IAD Shifter, for use with internal ABS sensor	3200G1853	1	A2-3200G1853
		Without Pump and main Diff. Lock, Aluminum Carrier	3200N1860 3200C1979	1	A2-3200C1979
		Without Pump and main Diff. Lock, Aluminum Carrier for ABS	3200S1917	1	A2-3200S1917
		With Pump, main Diff. Lock and Thrust Screw. Bolt on reverse IAD Shifter	3200M1911	1	A2-3200M1911
		With Pump and Thrust Screw, without main Diff. Lock. Bolt on reverse IAD Shifter	3200P1914	1	A2-3200P1914
		31A	Thrust Screw (not shown)		
31B	Jam Nut (not shown)			1	40X1016
32	Washer - Carrier to housing				See Housing Assy

PARTS LISTED IN THIS CATALOG ARE NOT NECESSARILY MANUFACTURED BY THE ORIGINAL EQUIPMENT MANUFACTURER AND ANY REFERENCE TO THE TRADEMARKS OR PART NUMBERS OF OTHERS ARE FOR CROSS REFERENCE INFORMATIONAL PURPOSES ONLY. THE TRADEMARKS OF OTHERS REFERRED TO HEREIN ARE OWNED BY THEIR RESPECTIVE COMPANIES AND ARE NOT AFFILIATED IN ANY WAY WITH MIDWEST TRUCK & AUTO PARTS, INC.® MOTIVE GEAR® AND WORLD AMERICAN® ARE THE REGISTERED TRADEMARKS OF MIDWEST TRUCK & AUTO PARTS, INC.® USE OF THE ® IN CONNECTION WITH A MARK OF MIDWEST TRUCK & AUTO PARTS, INC.® INDICATES THAT THE MARK IS REGISTERED IN AT LEAST THE UNITED STATES. NO REPRESENTATION IS MADE WITH RESPECT TO THE SOURCE OF MANUFACTURE OF ANY PARTICULAR PART. © 2005, MIDWEST TRUCK & AUTO PARTS, INC.® ALL RIGHTS RESERVED.

ROCKWELL® WORLD AXLE

FORWARD CARRIERS OF TANDEM AXLES MODELS: 140, 141 & 145 SERIES (Cont'd)

ITEM	DESCRIPTION	REMARKS	CARRIER	QTY	PART NUMBER
33	Nut - Carrier to housing stud	Reference Only	All		CALL YOUR SALES REP
34	Capscrew - Carrier to housing				
35	Drive Gear Pinion and Nut Assy (Includes items 44 and 45.)	Some Models may not be available in all ratios.		Use 1 as req.	B41718-1 (3) A41676-1 (4) A41104-1 A41508-1 A41510-1 B41276-1 B41512-1 B41514-1 B41678-1 (5) B41680-1 (6) Use B41278-1 B41278-1 B41562-1 B41280-1 B41282-1 B41284-1 B41466-1 A41468-1 A41470-1 A41472-1 A41474-1
36	Cone - Drive Pinion Inner Bearing		All	1	H715334
37	Cup - Drive Pinion Inner Bearing		All	1	H715311
38	Shims - Pinion Inner Bearing Cup	Available in KIT 2429	All	Use as req.	2203F2788 2203G2789 2203H2790
39	Spacer - Pinion Bearing Inner		All	1	1244V1764
40	Gear - Helical Driven		All	1	3892N4902
41	Spacers - Pinion Bearing (Variable)	Available as KIT 2396	All	Use 2 as req.	2203D9806 2203E9807 2203F9808 2203G9809 2203H9810 2203J9812 2203K9813 2203L9814 2203M9815 2203N9816 2203P9818 2203Q9819 2203R9820 2203S9821 2203T9822 2203U9823
42	Cup - Drive Pinion Outer Bearing		All	1	72487
43	Cone - Drive Pinion Outer Bearing		All	1	72212C
44	Washer - Drive Pinion Nut	Use with 40X1145 Use with 40X1233	145 Series Only 140 and 145 Series	1	1229G4063 1229W4521
45	Nut - Drive Pinion	M50x2-6H thd. M45x1.5-6H thd.	145 Series Only 140 and 145 Series	1	40X1145 40X1233
46	Cover - Drive Pinion		All	1	3266C1095
47	Washer - Drive Pinion Cover		All	5	1229K1597

(3) Not available in aluminum carrier

(4) Replaces A39908-3 (2.80 Ratio)

(5) Replaces B41516-1 (3.91 Ratio)

(6) Replaces B41518-1 (4.10 Ratio)

PARTS LISTED IN THIS CATALOG ARE NOT NECESSARILY MANUFACTURED BY THE ORIGINAL EQUIPMENT MANUFACTURER AND ANY REFERENCE TO THE TRADEMARKS OR PART NUMBERS OF OTHERS ARE FOR CROSS REFERENCE INFORMATIONAL PURPOSES ONLY. THE TRADEMARKS OF OTHERS REFERRED TO HEREIN ARE OWNED BY THEIR RESPECTIVE COMPANIES AND ARE NOT AFFILIATED IN ANY WAY WITH MIDWEST TRUCK & AUTO PARTS, INC.® MOTIVE GEAR® AND WORLD AMERICAN® ARE THE REGISTERED TRADEMARKS OF MIDWEST TRUCK & AUTO PARTS, INC.® USE OF THE ® IN CONNECTION WITH A MARK OF MIDWEST TRUCK & AUTO PARTS, INC.® INDICATES THAT THE MARK IS REGISTERED IN AT LEAST THE UNITED STATES. NO REPRESENTATION IS MADE WITH RESPECT TO THE SOURCE OF MANUFACTURE OF ANY PARTICULAR PART. © 2005, MIDWEST TRUCK & AUTO PARTS, INC.® ALL RIGHTS RESERVED.

ROCKWELL® WORLD AXLE

FORWARD CARRIERS OF TANDEM AXLES
 MODELS: 140, 141 & 145 SERIES (Cont'd)

ITEM	DESCRIPTION	REMARKS	CARRIER	QTY	PART NUMBER	
48	Capscrew - Drive Pinion Cover		All except aluminum Aluminum Only	5 5	MS210020-1 MS210030-1	
49	Adjusting Rings - Diff. bearing	L.H. and R.H.	All w/o Diff. Lock	2	2214C1095	
		R.H. L.H.	All with Diff. Lock	1 1	2214C1095 2214Y1039	
50	Cups - Diff. bearing	L.H. and R.H.	All w/o Diff. Lock	1	JM716610	
		R.H.	All with Diff. Lock	1	JM716610	
		L.H.		1	JM716610	
51	Cones - Diff. bearing	L.H. & R.H.	All w/o Diff. Lock	2	JM716649	
		R.H.	All with Diff. Lock	1	JM716649	
		L.H.		1	A1228L1130	
52	Capscrew - Main Diff. Case		All	16	41X1327	
53	Washer, Main Diff. Case		All	16	1229C1511	
54	Case Assy. - Main Diff. (Includes Items 52 and 53)	Ratios 2.64, 2.79 2.93	With Diff. Lock	Use	A2-3235V1920	
		Ratios 3.07, 3.21	Without Diff. Lock	1	A8-3235V1920	
			With Diff. Lock	as	A2-3235S1839	
			Without Diff. Lock	req.	A8-3235S1839	
			With ABS Tubes		A2-3235M2171 (2) A3-3235M2171 (1)	
			Ratios 3.42, 3.58 3.73, 3.90, 4.11 All except RT44145 tandem	With Diff. Lock		A2-3235U1841
		Without Diff. Lock		A8-3235U1841		
		With ABS Tubes		A2-3235L2170 (2) A3-3235L2170 (1)		
	Ratios 3.42, 3.58 3.73, 3.90, 4.11 RT44145 tandem only	With Diff. Lock		KIT 2664		
		Without Diff. Lock		KIT 2665		
	Ratios 4.30, 4.56 4.63, 4.88, 5.29, 5.86, 6.14, 6.43, 6.83, 7.17 Except RT44145 tandem	With Diff. Lock	Use	A2-3235W1843		
		Without Diff. Lock	1	A8-3235W1843		
		With ABS Tubes	as	A2-3235J2168 (2)		
			req.	A3-3235J2168 (1)		
	Ratio 4.30, 4.56, 4.63, 4.88, 5.29, 5.86 6.14, 6.43, 6.83, 7.17 RT44145 tandem only	With Diff. Lock		KIT 2648		
		Without Diff. Lock		KIT 2647		
	Case and Nest Assy - Main Diff. (No-Spin™ Models include Items 52, 53 and 63A) (All other models include Items 52, 53, 59, 60, 62 and 63)	Ratios 2.64, 2.79, 2.93	With Diff. Lock	Use	A3-3235V1920 (1)	
			Without Diff. Lock	1	A9-3235V1920 (1)	
			No-Spin™	as	A10-3235V1920 (2)	
				req.	A11-3235V1920 (1)	
					A12-3235V1920 (2)	
			Ratios 3.07, 3.21	With Diff. Lock		A3-3235S1839 (1)
				Without diff. Lock		A9-3235S1839 (1)
				With ABS Tubes		A10-3235S1839 (2)
				No-Spin™ Diff.		A4-3235M2171 (2) A5-3235M2171 (1) A11-3235S1839 (1)
						A12-3235S1839 (2)
	Ratios 3.42, 3.58, 3.73, 3.90, 4.11 All except RT44145 tandem	With Diff. Lock		A3-3235U1841 (1)		
		Without Diff. Lock		A9-3235U1841 (1)		
		With ABS Tubes		A10-3235U1841 (2)		
		No-Spin™ Diff.		A4-3235L2170 (2) A11-3235U1841 (1) A12-3235U1841 (2)		

- (1) 2.10" - 41 Spline
- (2) 2" - 39 Spline

PARTS LISTED IN THIS CATALOG ARE NOT NECESSARILY MANUFACTURED BY THE ORIGINAL EQUIPMENT MANUFACTURER AND ANY REFERENCE TO THE TRADEMARKS OR PART NUMBERS OF OTHERS ARE FOR CROSS REFERENCE INFORMATIONAL PURPOSES ONLY. THE TRADEMARKS OF OTHERS REFERRED TO HEREIN ARE OWNED BY THEIR RESPECTIVE COMPANIES AND ARE NOT AFFILIATED IN ANY WAY WITH MIDWEST TRUCK & AUTO PARTS, INC.® MOTIVE GEAR® AND WORLD AMERICAN® ARE THE REGISTERED TRADEMARKS OF MIDWEST TRUCK & AUTO PARTS, INC.® USE OF THE ® IN CONNECTION WITH A MARK OF MIDWEST TRUCK & AUTO PARTS, INC.® INDICATES THAT THE MARK IS REGISTERED IN AT LEAST THE UNITED STATES. NO REPRESENTATION IS MADE WITH RESPECT TO THE SOURCE OF MANUFACTURE OF ANY PARTICULAR PART. © 2005, MIDWEST TRUCK & AUTO PARTS, INC.® ALL RIGHTS RESERVED.

ROCKWELL® WORLD AXLE

FORWARD CARRIERS OF TANDEM AXLES MODELS: 140, 141 & 145 SERIES (Cont'd)

ITEM	DESCRIPTION	REMARKS	CARRIER	QTY	PART NUMBER
54 (cont'd)		Ratios 3.42, 3.58, 3.73, 3.90, 4.11 RT44145 tandem only	With Diff. Lock Without Diff. Lock No-Spin™ Diff.		A6-3235D2188 A5-3235D2188 (1) A4-3235D2188 (1)
	Case and Nest Assy. - Main Diff. (No-Spin™ Models include Items 52, 53, 59, 60, 62 and 62)	Ratios 4.30, 4.56, 4.63, 4.88, 5.29, 5.86, 6.14, 6.43, 6.83, 7.17 RT44145 tandem only	With Diff. Lock Without Diff. Lock No-Spin™ Diff.		A3-3235T2152 (1) A1-3235T2152 (1) A4-3235T2152 (1)
55	Bolt - Gear to Case	Used in KIT 2317		12	41X1216
55A	Rivet - Gear to Diff. Case	For service, rivets can be replaced with K2317		12	RV71016
56	Washer - Diff. Bearing Cap		All	4	42X1021
57	Capscrew - Diff. Bearing Cap		All except aluminum Aluminum Only	4 4	MS220120-1 41X1365
57	Capscrew - Diff. Bearing Cap		All except aluminum Aluminum Only	4 4	MS220120-1 41X1365
58	Pin - Adjusting <u> L.H. and R.H. </u> Ring Lock <u> R.H. </u> <u> L.H. </u>		All without Diff. Lock All with Diff. Lock	2 1 1	1199R2176 1199R2176 1246P1134
59	Thrust Washer - Side Gear	Items 59-63 are not used in No-Spin™ models.	All prior to 11/93 All after 11/93	2 2	1229X4522 1229V4624
60	Side Gear - Differential	See Item 63A Used in KIT 2310 Used in KIT 2696 Used in KIT 2389	All 40,000 lb. tandems prior to 11/93 All 40,000 lb. tandems after 11/93 RT44145 tandems prior to 12/92 RT44145 tandems from 1/93 to 11/93 RT44145 tandems after 11/93 All 34,000 lb. tandems prior to 11/93 All 34,000 lb. tandems after 11/93	2	KIT 2759 (1) 2234U1269 (1) KIT 2696 (1) KIT 2760 (1) 2234X1272 (1) KIT 2758 (2) 2234V1270 (2)
61	Spider - Differential (Cross)	Used in KIT 2696	All except 44,000 lb. tandems 44,000 lb. tandems only	1 1	3278S305 3278Y1117F
62	Gear - Diff. Pinion		All axles except RT44145 tandems produced after 1/93 RT44145 tandems produced after 1/93	4 4	2233J1024 2233X1116
63	Thrust Washer - Diff. Pinion			4	1229R1032
63A	No-Spin™ Diff. Nest	Serviced as assembly only. Replaces Items 59-63	All 40,000 & 44,000 lb. capacity tandems All 34,000 lb. capacity tandems	1 1	A3230T1034 (1) A3230U1035 (2)
64	Washer - Gear to Diff. Case	Used in KIT 2317	All	12	1229U1503
65	Nut - Gear to Diff. Case			12	40X1182

(1) 2.10" - 41 Spline

(2) 2" - 39 Spline

PARTS LISTED IN THIS CATALOG ARE NOT NECESSARILY MANUFACTURED BY THE ORIGINAL EQUIPMENT MANUFACTURER AND ANY REFERENCE TO THE TRADEMARKS OR PART NUMBERS OF OTHERS ARE FOR CROSS REFERENCE INFORMATIONAL PURPOSES ONLY. THE TRADEMARKS OF OTHERS REFERRED TO HEREIN ARE OWNED BY THEIR RESPECTIVE COMPANIES AND ARE NOT AFFILIATED IN ANY WAY WITH MIDWEST TRUCK & AUTO PARTS, INC.® MOTIVE GEAR® AND WORLD AMERICAN® ARE THE REGISTERED TRADEMARKS OF MIDWEST TRUCK & AUTO PARTS, INC.® USE OF THE ® IN CONNECTION WITH A MARK OF MIDWEST TRUCK & AUTO PARTS, INC.® INDICATES THAT THE MARK IS REGISTERED IN AT LEAST THE UNITED STATES. NO REPRESENTATION IS MADE WITH RESPECT TO THE SOURCE OF MANUFACTURE OF ANY PARTICULAR PART. © 2005, MIDWEST TRUCK & AUTO PARTS, INC.® ALL RIGHTS RESERVED.

ROCKWELL® WORLD AXLE

FORWARD CARRIERS OF TANDEM AXLES

ITEM	DESCRIPTION	REMARKS	CARRIER	QTY	PART NUMBER
------	-------------	---------	---------	-----	-------------

NOTE: The following parts are used only on forward carriers with main differential lock.

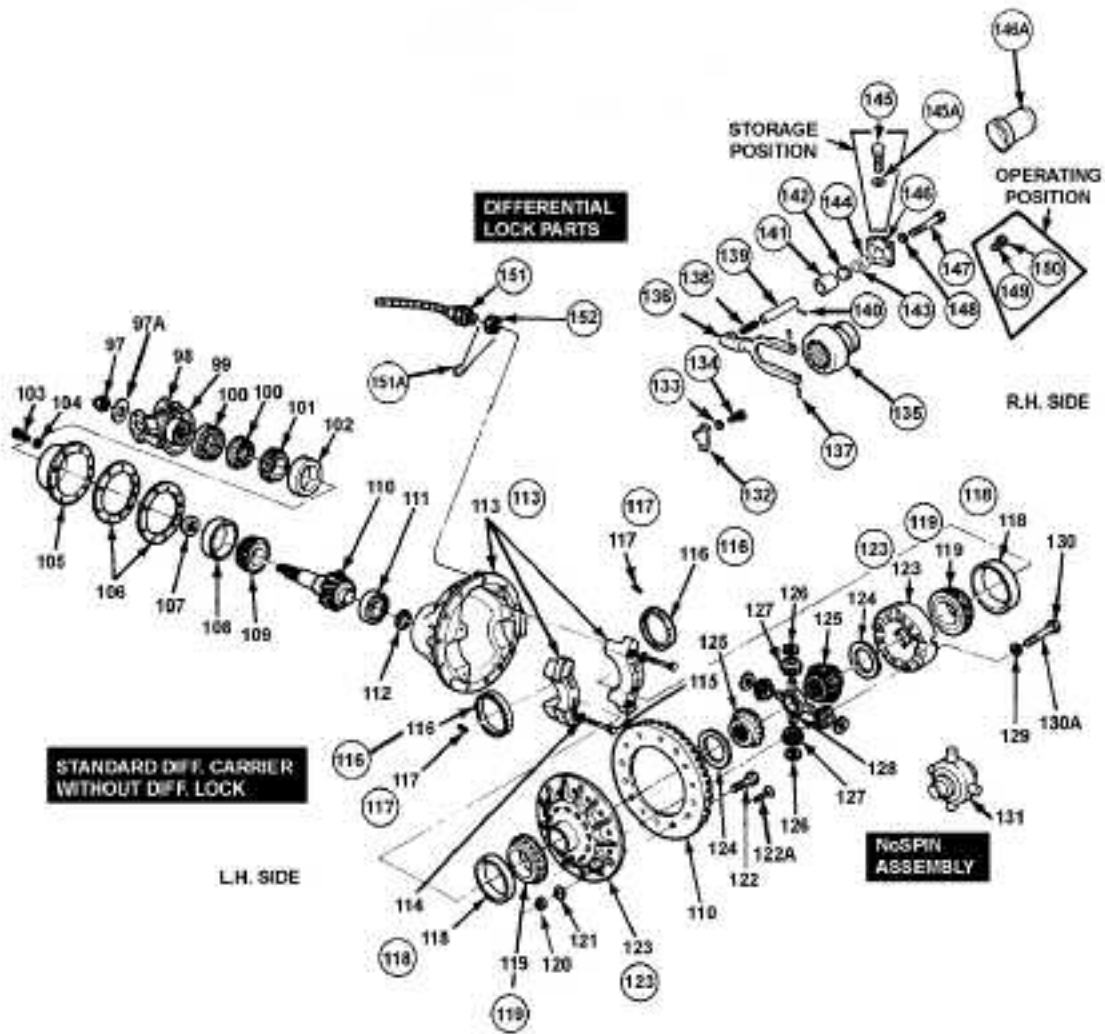
66	Sensor/switch - main diff. lock			1	KIT 4455
66A	Clip - sensor/switch			1	2257M1235
67	Lock Nut - sensor/switch		All prior to 11/93	1	1227P1056
68	Spring - main diff. lock		All prior to 11/93 All after 11/93	1	2258L714 258N1262
69	Roll pin - spring retaining			1	43X1006
70	Shift shaft - main diff. lock	Not threaded for fork Threaded for fork	All after 11/93 All prior to 11/3	1	2244V1114 2244L1026
71	Piston - main diff. lock		All prior to 11/93 All after 11/93	1	2230N170 2230T1190
72	O-ring piston		All after 11/93 All prior to 11/93	1	5X1198 5X1153
73	Tube - air cylinder		All prior to 11/93	1	3196F32
73A	Air cylinder assembly - screw-in		All after 11/93	1	3261A1067
74	Gasket - air cylinder cover			1	2208H944
75	Capscrew - manual engaging			1	41X1333 41X1368
75A	O-ring - manual engaging capscrew			1	5X521
76	Cover - air cylinder		Used only on axles produced prior to 11/93	1	3266F1020
77	Plug - air cylinder cover			1	MS210016-1
78	Gasket - plug			1	2208L1000
79	Capscrew - air cylinder cover			4	41X1364
80	Washer - air cylinder cover			4	MWA506
81	Clutch collar			1	3107D1018
82	Shift fork	Not threaded	All after 11/93	1	3296Z1170
		Threaded	All prior to 11/93		3296W1167
83	Pin - shift fork	Old 3 piece design		2	43X1007
84	Shield - filter			1	3280Z8398
85	Plug - oil pressure relief valve	No longer required as of 5/97		1	1250N1080
86	Washer - plug			1	1229F4062
87	Spring - oil pressure relief valve			1	2258Z1118
88	Pressure relief valve - oil			1	2297U5273
90	O-ring, oil pump			1	5X1034
91	Oil pump assembly	Serviced as assembly only	Pump driven off splines on input shaft	1	A3303P1030
			Pump driven off flats on input shaft		KIT 2623
92	Washer - oil pump			6	1229E1889
93	Capscrew - oil pump			6	MS2080451
94	Oil filter			1	3280V8394
95	Adapter - oil filter			1	2297Z5278
96	Screen and plumb assy - oil filter			1	A2297D5334

PARTS LISTED IN THIS CATALOG ARE NOT NECESSARILY MANUFACTURED BY THE ORIGINAL EQUIPMENT MANUFACTURER AND ANY REFERENCE TO THE TRADEMARKS OR PART NUMBERS OF OTHERS ARE FOR CROSS REFERENCE INFORMATIONAL PURPOSES ONLY. THE TRADEMARKS OF OTHERS REFERRED TO HEREIN ARE OWNED BY THEIR RESPECTIVE COMPANIES AND ARE NOT AFFILIATED IN ANY WAY WITH MIDWEST TRUCK & AUTO PARTS, INC.® MOTIVE GEAR® AND WORLD AMERICAN® ARE THE REGISTERED TRADEMARKS OF MIDWEST TRUCK & AUTO PARTS, INC.® USE OF THE ® IN CONNECTION WITH A MARK OF MIDWEST TRUCK & AUTO PARTS, INC.® INDICATES THAT THE MARK IS REGISTERED IN AT LEAST THE UNITED STATES. NO REPRESENTATION IS MADE WITH RESPECT TO THE SOURCE OF MANUFACTURE OF ANY PARTICULAR PART. © 2005, MIDWEST TRUCK & AUTO PARTS, INC.® ALL RIGHTS RESERVED.

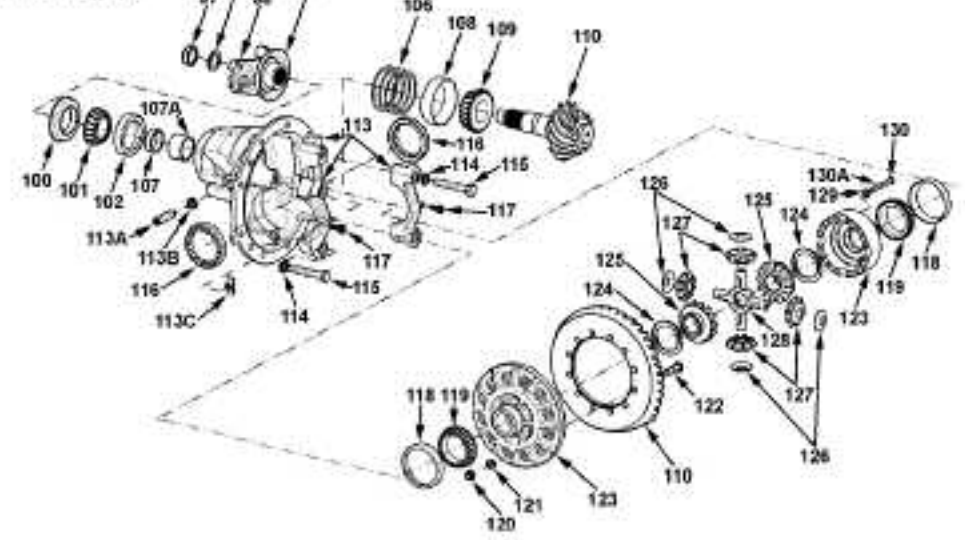
ROCKWELL® WORLD AXLE

CARRIERS FOR SINGLE AXLES AND REARS OF TANDEM AXLES

MODELS: 140, 141 & 145 SERIES



Amboid Only



PARTS LISTED IN THIS CATALOG ARE NOT NECESSARILY MANUFACTURED BY THE ORIGINAL EQUIPMENT MANUFACTURER AND ANY REFERENCE TO THE TRADEMARKS OR PART NUMBERS OF OTHERS ARE FOR CROSS REFERENCE INFORMATIONAL PURPOSES ONLY. THE TRADEMARKS OF OTHERS REFERRED TO HEREIN ARE OWNED BY THEIR RESPECTIVE COMPANIES AND ARE NOT AFFILIATED IN ANY WAY WITH MIDWEST TRUCK & AUTO PARTS, INC.® MOTIVE GEAR® AND WORLD AMERICAN® ARE THE REGISTERED TRADEMARKS OF MIDWEST TRUCK & AUTO PARTS, INC.® USE OF THE ® IN CONNECTION WITH A MARK OF MIDWEST TRUCK & AUTO PARTS, INC.® INDICATES THAT THE MARK IS REGISTERED IN AT LEAST THE UNITED STATES. NO REPRESENTATION IS MADE WITH RESPECT TO THE SOURCE OF MANUFACTURE OF ANY PARTICULAR PART. © 2005, MIDWEST TRUCK & AUTO PARTS, INC.® ALL RIGHTS RESERVED.

ROCKWELL® WORLD AXLE

CARRIERS FOR SINGLE AXLES AND REARS OF TANDEM AXLES

MODELS: 140, 141 & 145 SERIES

ITEM	DESCRIPTION	REMARKS	CARRIER	QTY	PART NUMBER	
97	Nut - drive pinion	Included in KIT 2637	All except RS17140	1	44-X-1237	
		Included in KIT 2638	RS17140 only		44-X-1236	
97A	Washer - drive pinion nut	Included in KIT 2637	All except RS17140	1	1229-T-1736	
		Included in KIT 2638	RS17140 only		1229-A-2653	
100	Oil seal - pinion bearing cage		All except RS17140	1	A-1205-N-2508	
			RS17140 only		A-1205-D-1928	
101	Cone - drive pinion outer bearing	Ambsid series	3200-W-2051	1	72225C	
			All except RS17140 and 3200-W-2051		55206C	
			RS17140 only		M304049	
102	Cup - drive pinion outer bearing	Ambsid series	3200-W-2051	1	72437	
			All except RS17140 and 3200-W-2051		55437	
			RS17140		M304010	
103	Capscrew - input bearing cage		All except aluminum	8	MS-212045-1	
			Aluminum only		41-X-1043	
104	Washer - input bearing cage		All	8	1229-C-1511	
105, 102, 108	Pinion bearing cage and cup assy.	3200-Q-1785, 3200-C-1848, 3200-E-1851, 3200-S-1865, 3200-A-1873, 3200-Z-1924 3200-R-1500, 3200-X-1558, 3200-L-1676, 3200-M-1885, 3200-Z-1872, 3200-G-1878, 3200-F-1904	RR20140, RR20145, RR22145	1	A-3226-N-1236	
			RS17140		A-3226-M-1053	
					A-3226-P-1056	
106	Shim - pinion bearing cage	.076mm/.003 inch .127mm/.005 inch .254mm/.010 inch .075mm/.003 inch .125mm/.005 inch .250mm/.010 inch .500mm/.020 inch .075mm/.003 inch .125mm/.005 inch .250mm/.010 inch .500mm/.020 inch	Included in KIT 1647 Shim O.D. 5.10" Included in KIT 2313 Shims O.D. 9.62" Included in KIT 1568 Shims O.D. 8.50"	3200-W-2051	Use as req.	2203-F-2708 2203-G-2709 2203-H-2790 2803-Q-2851 2803-R-2852 2803-S-2853 2803-T-2854 2203-C-8115 2203-D-8116 2203-E-8117 2203-B-8084
107	Spacer - pinion bearing	9.40mm/.370 inch 9.43mm/.371 inch 9.45mm/.372 inch 9.48mm/.373 inch 9.50mm/.374 inch 9.60mm/.378 inch 9.70mm/.382 inch 9.80mm/.386 inch 9.90mm/.390 inch 10.00mm/.394 inch 10.10mm/.398 inch 10.20mm/.402 inch 10.23mm/.403 inch 10.25mm/.404 inch 10.28mm/.405 inch 10.30mm/.406 inch 8.75mm/.345 inch 8.78mm/.346 inch 8.80mm/.347 inch 8.83mm/.348 inch 8.85mm/.349 inch 8.90mm/.345 inch 9.10mm/.358 inch 9.13mm/.359 inch 9.15mm/.360 inch 9.18mm/.361 inch 9.20mm/.362 inch 8.35mm/.329 inch 8.38mm/.330 inch 8.40mm/.331 inch 8.43mm/.332 inch 8.45mm/.333 inch	Included in KIT 2541 Included in KIT 2322 Included in KIT 2321	3200-W-2051 All except RS17140 and 3200-W-2051 RS17140 only	Use 2 as req.	1244-M-2431 1244-N-2432 1244-P-2434 1244-Q-2435 1244-R-2436 1244-S-2437 1244-T-2438 1244-U-2439 1244-V-2440 1244-W-2441 1244-X-2442 1244-Y-2443 1244-Z-2444 1244-A-2445 1244-B-2446 1244-C-2447 2203-J-9474 2203-K-9475 2203-L-9476 2203-M-9477 2203-N-9478 2203-P-9480 2203-Q-9481 2203-R-9482 2203-S-9483 2203-T-9484 2203-U-9485 2203-V-9486 2203-W-9487 2203-X-9488 2203-Y-9489 2203-Z-9490

PARTS LISTED IN THIS CATALOG ARE NOT NECESSARILY MANUFACTURED BY THE ORIGINAL EQUIPMENT MANUFACTURER AND ANY REFERENCE TO THE TRADEMARKS OR PART NUMBERS OF OTHERS ARE FOR CROSS REFERENCE INFORMATIONAL PURPOSES ONLY. THE TRADEMARKS OF OTHERS REFERRED TO HEREIN ARE OWNED BY THEIR RESPECTIVE COMPANIES AND ARE NOT AFFILIATED IN ANY WAY WITH MIDWEST TRUCK & AUTO PARTS, INC.® MOTIVE GEAR® AND WORLD AMERICAN® ARE THE REGISTERED TRADEMARKS OF MIDWEST TRUCK & AUTO PARTS, INC.® USE OF THE ® IN CONNECTION WITH A MARK OF MIDWEST TRUCK & AUTO PARTS, INC.® INDICATES THAT THE MARK IS REGISTERED IN AT LEAST THE UNITED STATES. NO REPRESENTATION IS MADE WITH RESPECT TO THE SOURCE OF MANUFACTURE OF ANY PARTICULAR PART. © 2005, MIDWEST TRUCK & AUTO PARTS, INC.® ALL RIGHTS RESERVED.

ROCKWELL® WORLD AXLE

CARRIERS FOR SINGLE AXLES AND REARS OF TANDEM AXLES

MODELS: 140, 141 & 145 SERIES (Cont'd)

ITEM	DESCRIPTION	REMARKS	CARRIER	QTY	PART NUMBER	
107 (Cont)	Spacer - pinion bearing	6.58mm/ .258 inch 6.70mm/ .263 inch 6.73mm/ .264 inch 6.75mm/ .265 inch 6.78mm/ .266 inch 6.80mm/ .267 inch	Included in KIT 2321	RS17140 only	Use 2 as req 2283-A-9481 2283-B-9482 2283-C-9483 2283-D-9484 2283-E-9485 2283-F-9486	
107A	Spacer - pinion bearing		3200-W-2051 only	1	1244-F-2346	
108	Cup - drive pinion inner bearing	Arboid series	3200-W-2051 All except RS17140 and 3200-W-2051 RS17140 only	1	H715311 72467 55437	
109	Cone - drive pinion inner bearing	Arboid series	3200-W-2051 All except RS17140 and 3200-W-2051 RS17140 only	1	H715334 72212C 55200C	
110, 97, 97A	Drive gear, pinion and nut assembly	3.42 Ratio 3.58 Ratio 3.73 Ratio 3.91 Ratio 4.10 Ratio 4.30 Ratio 4.33 Ratio 4.56 Ratio 4.88 Ratio 5.13 Ratio 5.29 Ratio 5.57 Ratio 5.86 Ratio 6.14 Ratio 6.43 Ratio 6.83 Ratio 7.17 Ratio 2.64 Ratio 2.79 Ratio 2.93 Ratio 3.07 Ratio 3.21 Ratio 2.64 Ratio 2.79 Ratio 3.08 Ratio 3.36 Ratio 3.55 Ratio 3.70 Ratio 3.90 Ratio 4.11 Ratio 3.42 Ratio 3.58 Ratio 3.58 Ratio 3.73 Ratio 3.90 Ratio 3.91 Ratio 4.10 Ratio 4.11 Ratio 4.33 Ratio 4.33 Ratio 4.56 Ratio 4.63 Ratio 4.63 Ratio 4.88 Ratio 4.88 Ratio 5.13 Ratio 5.13 Ratio 5.29 Ratio 5.57 Ratio 5.86 Ratio 6.14 Ratio 6.43 Ratio 6.83 Ratio 7.17 Ratio	Input spline size 2.00" dia. - 39 splines. Original small pitch dia. ring gear. New style will not fit in this carrier. Input spline size 2.00" dia. - 39 splines. New larger pitch diameter gearing Input spline size 2.00" dia. - 39 splines. Arboid series axles. Input spline size 2.00" dia. - 39 splines. Arboid series axles. Input spline size 2.00" dia. - 39 splines. New larger pitch diameter gearing.	3200-Q-1785 1500, 155B, 1676, 1885, 1872, 1879, 1904 3200-W-2051 All except RS16140, RS17140, 3200-Q-1785 and 3200-W-2051 carriers.	Use 1 as req	B-41530-1 B-41532-1 B-41534-1 B-41536-1 B-41538-1 Use 4.33 Ratio B-41540-1 B-41542-1 B-41544-1 B-41546-1 B-41548-1 B-41550-1 B-41552-1 B-41554-1 B-41556-1 B-41558-1 B-41560-1 B-41716-1 A-41682-1 A-41158-1 A-41494-1 A-41496-1 B-42120-1 A-42172-1 A-42280-1 A-42262-1 A-42294-1 B-42266-1 B-42180-1 A-42128-1 B-41164-1 B-41498-1 A-41842-1 B-41580-1 B-41684-1 A-41830-1 A-41882-1 B-41636-1 B-41266-1 A-41654-1 B-41542-1 B-41260-1 A-41672-1 B-41270-1 A-41714-1 A-41652-1 A-41272-1 B-41274-1 A-41384-1 B-41456-1 A-41458-1 A-41460-1 A-41462-1 A-41464-1

PARTS LISTED IN THIS CATALOG ARE NOT NECESSARILY MANUFACTURED BY THE ORIGINAL EQUIPMENT MANUFACTURER AND ANY REFERENCE TO THE TRADEMARKS OR PART NUMBERS OF OTHERS ARE FOR CROSS REFERENCE INFORMATIONAL PURPOSES ONLY. THE TRADEMARKS OF OTHERS REFERRED TO HEREIN ARE OWNED BY THEIR RESPECTIVE COMPANIES AND ARE NOT AFFILIATED IN ANY WAY WITH MIDWEST TRUCK & AUTO PARTS, INC.® MOTIVE GEAR® AND WORLD AMERICAN® ARE THE REGISTERED TRADEMARKS OF MIDWEST TRUCK & AUTO PARTS, INC.® USE OF THE ® IN CONNECTION WITH A MARK OF MIDWEST TRUCK & AUTO PARTS, INC.® INDICATES THAT THE MARK IS REGISTERED IN AT LEAST THE UNITED STATES. NO REPRESENTATION IS MADE WITH RESPECT TO THE SOURCE OF MANUFACTURE OF ANY PARTICULAR PART. © 2005, MIDWEST TRUCK & AUTO PARTS, INC.® ALL RIGHTS RESERVED.

ROCKWELL® WORLD AXLE
CARRIERS FOR SINGLE AXLES AND REARS OF TANDEM AXLES
MODELS: 140, 141 & 145 SERIES (Cont'd)

ITEM	DESCRIPTION	REMARKS	CARRIER	QTY	PART NUMBER	
110, 97, 97A (Cont)	Drive gear, pinion and nut assy	Input spline size 1.75" dia. - 34 splines.	RS16140, RS17140	Use 1 as req.	3.42 Ratio	A-41164-3
					3.58 Ratio	A-41489-3
					3.73 Ratio	A-41560-3
					3.90 Ratio	A-41684-3
					4.11 Ratio	A-41686-3
					4.33 Ratio	A-41266-3
					4.56 Ratio	B-41542-3
					4.88 Ratio	A-41279-3
					5.13 Ratio	A-41272-3
					5.29 Ratio	A-41274-3
					5.57 Ratio	A-41304-3
					5.86 Ratio	A-41456-3
					6.43 Ratio	A-41460-3
6.83 Ratio	A-41462-3					
7.17 Ratio	A-41464-3					
111	Bearing - drive pinion spigot		All	1	1228-F-552	
112	Snap ring - drive pinion bearing		All	1	1228-A-1381	
113, 114, 115	Diff. carrier and cap assy.	Original design	3200-R-1500	1	A2-3200-R-1500	
Without main diff. lock		3200-M-1547 (3.91 and 4.10 Ratios)	KIT 2729			
		All other ratios	KIT 2730			
		3200-L-1676	A2-3200-L-1676			
With screw-in main diff. lock and thrust screw		1558, 1872, 1879, 1904	KIT 2755			
Without main diff. lock, with thrust screw		1785, 1865, 1873 (3.42 - 7.17 ratios)	KIT 2756			
Without main diff. lock, with internal ABS sensor		3200-D-1850 (3.07 and 3.21 ratios)	A2-3200-D-1850			
		3200-E-1851 (3.42 - 7.17 ratios)	A2-3200-E-1851			
Without main diff. lock, aluminum carrier		3200-M-1885 (aluminum version of 1676 carrier)	A2-3200-M-1885			
		3200-C-1849 (aluminum version of 1865 carrier)	A2-3200-C-1849			
Without main diff. lock, with thrust screw with internal ABS sensor		3200-Z-1924	A2-3200-Z-1924			
Amboid series drive axles		3200-W-2051	A2-3200-W-2051			
113A		Thrust screw			3200-W-2051	1
		Not shown	All except 3200-W-2051		41-X-1371	
113B	Jam nut			1	40-X-1816	
113C	Thrust block		3200-W-2051 only	1	2297-P-6336	
114	Washer - differential bearing cap		All	4	42-X-1821	
115	Capscrew - differential bearing cap		All except aluminum	4	MS-220120-1	
			Aluminum only		41-X-1365	
116	Adjusting ring	L.H. - small	1547, 1558 and 1879	1	2214-C-1095	
		R.H. - small			2214-Y-1039	
		L.H. and R.H.			3200-R-1500	2
			All except 1500, 1547 and 1558		2214-C-1095	
117	Adjusting ring lock	L.H. and R.H.	1676, 1785 and 1865	2	1199-R-2176	
			3200-M-1547		1246-P-1134	
		L.H. only	R.H. see 132, 133 and 134	3200-R-1500	1	1199-R-2176
		R.H. only		3200-X-1558	1	1199-R-2176
			3200-G-1879	1	1246-P-1134	
118	Cup - diff. ring	L.H. only	1547, 1558 and 1879	1	JM-716610	
		R.H. only			1228-L-1130	
		L.H. and R.H.			1676, 1785 and 1865	2
	3200-R-1500	A1-1228-H-686				
118A	Adhesive - diff. bearing cup			1	2297-T-4180	
119	Cone - diff. bearing	L.H. and R.H.	1676, 1785 and 1865	2	JM-716649	
			3200-R-1500		A1-1228-H-686	
		L.H. only	All 1547, 1558 and 1879	1	JM-716649	
		R.H. only		1	A-1228-L-1130	

PARTS LISTED IN THIS CATALOG ARE NOT NECESSARILY MANUFACTURED BY THE ORIGINAL EQUIPMENT MANUFACTURER AND ANY REFERENCE TO THE TRADEMARKS OR PART NUMBERS OF OTHERS ARE FOR CROSS REFERENCE INFORMATIONAL PURPOSES ONLY. THE TRADEMARKS OF OTHERS REFERRED TO HEREIN ARE OWNED BY THEIR RESPECTIVE COMPANIES AND ARE NOT AFFILIATED IN ANY WAY WITH MIDWEST TRUCK & AUTO PARTS, INC.® MOTIVE GEAR® AND WORLD AMERICAN® ARE THE REGISTERED TRADEMARKS OF MIDWEST TRUCK & AUTO PARTS, INC.® USE OF THE ® IN CONNECTION WITH A MARK OF MIDWEST TRUCK & AUTO PARTS, INC.® INDICATES THAT THE MARK IS REGISTERED IN AT LEAST THE UNITED STATES. NO REPRESENTATION IS MADE WITH RESPECT TO THE SOURCE OF MANUFACTURE OF ANY PARTICULAR PART. © 2005, MIDWEST TRUCK & AUTO PARTS, INC.® ALL RIGHTS RESERVED.

ROCKWELL® WORLD AXLE

CARRIERS FOR SINGLE AXLES AND REARS OF TANDEM AXLES

MODELS: 140, 141 & 145 SERIES (Cont'd)

ITEM	DESCRIPTION	REMARKS	CARRIER	QTY	PART NUMBER
120	Nut - gear to differential case	Included in KIT 2317	All	12	40-X-1132
121	Washer - gear to differential case			12	1229-U-1503
122	Bolt - differential case to gear			12	41-X-1216
122A	Rivet - gear to differential	For service, rivets can be replaced with KIT 2317	All	12	RV-71016
123, 129, 130	Case Assy - main diff.	Ratios 2.64, 2.79, 2.93 With diff. lock Without diff. lock Ratios 3.07, 3.08, 3.21 and 3.30 With diff. lock Without diff. lock Ratios 3.42, 3.58, 3.58, 3.70, 3.73, 3.90, 3.91, 4.10, 4.11 (Except 44,000 lb. tandem axles) Note: 4.33 ratio for coach quality gearing also uses this std. diff. case. Ratios 3.42, 3.58, 3.73, 3.90, 3.91, 4.10, 4.11 (44,000 lb. tandem axles only) With diff. lock Without diff. lock Ratios 4.30, 4.33, 4.56, 4.63, 4.88, 5.13, 5.29, 5.57, 5.86, 6.14, 6.43, 6.83, 7.17 (Except 44,000 lb. tandem axles) With diff. lock Without diff. lock Ratios 4.30, 4.33, 4.56, 4.63, 4.88, 5.13, 5.29, 5.57, 5.86, 6.14, 6.43, 6.83, 7.17 (44,000 lb. tandem axles only) With diff. lock Without diff. lock	1558, 1879 1676, 1885, 2051 1558, 1879 A12-3200-R-1500 1676, 1885 and 2051 3200-M-1547 except 1.85"-36 spline 1558, 1849, 1879 and 1904 A12-3200-R-1500 3200-M-1547 except 1.85"-36 spline RS16140, RS17140, 3200-M-1547 (1.85"-36 spline) 3200-R-1500 1676, 1785, 1865, 1885, 2051 1872 and 1904 All others 1873 All others 1558, 1849, 1879, 1904 A12-3235-R-1500 3200-M-1547 except 1.85"-36 spline RS16140, RS17140, 3200-M-1547 (1.85"-36 spline) 3200-R-1500 1676, 1785, 1865, 1885 3200-Z-1872, 3200-F-1904 3200-A-1873	Use 1 as req.	A2-3235-V-1920 A2-3235-V-1920 A2-3235-S-1839 A2-3235-Y-1741 A2-3235-S-1839 A-3235-S-1839 A2-3235-U-1841 A6-3235-C-1719 A-3235-U-1841 A-3235-N-1938 A13-3235-C-1719 A2-3235-U-1841 A2-3235-D-2188 KIT 2664 A-3235-D-2188 KIT 2665 A2-3235-W-1843 A2-3235-E-1721 A-3235-W-1843 A-3235-Q-1941 A15-3235-E-1721 A2-3235-W-1843 KIT 2648 KIT 2647
123, 129, 130, 204, 205, 206	Case Assy - main diff.	Ratios 2.64, 2.79, 2.93 Without diff. lock Ratios 3.07 and 3.21 Ratios 3.42, 3.58, 3.73, 3.90, 3.91, 4.10, 4.11 (except 44,000 lb.) Note: 4.33 ratio for coach quality gearing also uses this std. diff. case Ratios 3.42, 3.58, 3.73, 3.90, 3.91, 4.10, 4.11 (44,000 lb. tandem axles only) Ratios 4.30, 4.33, 4.56, 4.63, 4.88, 5.13, 5.29, 5.57, 5.86, 6.14, 6.43, 6.83, 7.17 (Except 44,000 lb. tandem axles) Ratios 4.30, 4.33, 4.56, 4.63, 4.88, 5.13, 5.29, 5.57, 5.86, 6.14, 6.43, 6.83, 7.17 (44,000 lb. tandem axles only)	With ABS tubes	Use 1 as req.	A2-3235-M-2172 A3-3235-M-2172 A2-3235-M-2171 A3-3235-M-2171 A2-3235-L-2170 A3-3235-L-2170 A1-3235-Y-2661 A2-3235-J-2168 A3-3235-J-2168 A1-3235-K-2169
123 thru 130	Case & nest Assy main diff.	Ratios 2.64, 2.79, 2.93 With diff. lock Ratios 3.07, 3.08, 3.21 and 3.30	1558 and 1879	Use 1 as req.	A2-3235-V-1920 A3-3235-S-1839

PARTS LISTED IN THIS CATALOG ARE NOT NECESSARILY MANUFACTURED BY THE ORIGINAL EQUIPMENT MANUFACTURER AND ANY REFERENCE TO THE TRADEMARKS OR PART NUMBERS OF OTHERS ARE FOR CROSS REFERENCE INFORMATIONAL PURPOSES ONLY. THE TRADEMARKS OF OTHERS REFERRED TO HEREIN ARE OWNED BY THEIR RESPECTIVE COMPANIES AND ARE NOT AFFILIATED IN ANY WAY WITH MIDWEST TRUCK & AUTO PARTS, INC.® MOTIVE GEAR® AND WORLD AMERICAN® ARE THE REGISTERED TRADEMARKS OF MIDWEST TRUCK & AUTO PARTS, INC.® USE OF THE ® IN CONNECTION WITH A MARK OF MIDWEST TRUCK & AUTO PARTS, INC.® INDICATES THAT THE MARK IS REGISTERED IN AT LEAST THE UNITED STATES. NO REPRESENTATION IS MADE WITH RESPECT TO THE SOURCE OF MANUFACTURE OF ANY PARTICULAR PART. © 2005, MIDWEST TRUCK & AUTO PARTS, INC.® ALL RIGHTS RESERVED.

ROCKWELL® WORLD AXLE

CARRIERS FOR SINGLE AXLES AND REARS OF TANDEM AXLES MODELS: 140, 141 & 145 SERIES (Cont'd)

ITEM	DESCRIPTION	REMARKS	CARRIER	QTY	PART NUMBER		
123 thru 130 (Cont)	Case & necessary main diff.	Ratios 3.42, 3.55, 3.58, 3.70, 3.73, 3.90, 3.91, 4.10, 4.11 (Except 44,000 lb. tandem axles) Note: 4.33 ratio for coach quality gearing also uses this std. diff. case.	With diff. lock	1558 and 1879	Use 1 as req.	A3-3235-U-1841	
		Ratios 4.30, 4.33, 4.50, 4.63, 4.88, 5.13, 5.29, 5.57, 5.86, 6.14, 6.43, 6.63, 7.17 (Except 44,000 lb. tandem axles)					A3-3235-W-1843
		Ratios 2.64, 2.79, 2.93	Without diff. lock	1670 and 1885			A10-3235-V-1928 A10-3235-S-1839
		Ratios 3.07, 3.08, 3.21 and 3.38					A9-3235-W-1843 A10-3235-W-1843
		Ratios 4.30, 4.33, 4.50, 4.63, 4.88, 5.13, 5.29, 5.57, 5.86, 6.14, 6.43, 6.63, 7.17 (Except 44,000 lb. tandem axles)		1670, 1785, 1885 and 1885			A10-3235-U-1841 A9-3235-U-1841
		Ratios 3.42, 3.55, 3.58, 3.70, 3.73, 3.90, 3.91, 4.10, 4.11 (Except 44,000 lb. tandem axles) Note: 4.33 ratio for coach quality gearing also uses this std. diff. case.		1676, 1785, 1885, 1885, 1876, 1785, 1885, 1885, 2051			A10-3235-U-1841 A9-3235-U-1841
		Ratios 2.64, 2.79, 2.93		1676, 1885, 2051			A9-3235-V-1928
		Ratios 3.07, 3.08, 3.21 and 3.38		1676, 1885, 2051			A9-3235-S-1839
		Ratios 3.42, 3.58, 3.73, 3.90, 3.91, 4.10, 4.11 (44,000 lb. tandem axles only)	With diff. lock	1872 and 1904			A11-3235-D-2188
		Ratios 4.30, 4.33, 4.50, 4.63, 4.88, 5.13, 5.29, 5.57, 5.86, 6.14, 6.43, 6.63, 7.17 (44,000 lb. tandem axles only)					A11-3235-T-2152
		Ratios 3.42, 3.58, 3.73, 3.90, 3.91, 4.10, 4.11 (44,000 lb. tandem axles only)	Without diff. lock	3200-A-1873			A10-3235-D-2188
		Ratios 4.30, 4.33, 4.50, 4.63, 4.88, 5.13, 5.29, 5.57, 5.86, 6.14, 6.43, 6.63, 7.17 (44,000 lb. tandem axles only)	Without diff. lock	3200-L-1676, 3200-A-1873			A10-3235-T-2152
		Ratios 3.07, 3.08, 3.21 and 3.38	Without diff. lock	3200-M-1547 except 1.85"-36 spline			A1-3235-S-1839
		Ratios 3.42, 3.55, 3.58, 3.70, 3.73, 3.90, 3.91, 4.10, 4.11 (Except 44,000 lb. tandem axles) Note: 4.33 ratio for coach quality gearing also uses this std. diff. case.					A1-3235-U-1841
		Ratios 4.30, 4.33, 4.50, 4.63, 4.88, 5.13, 5.29, 5.57, 5.86, 6.14, 6.43, 6.63, 7.17 (Except 44,000 lb. tandem axles)					A1-3235-W-1843
Ratios 2.64, 2.79, 2.93		3200-M-1865			A10-3235-V-1928		
Ratios 3.42, 3.55, 3.58, 3.70, 3.73, 3.90, 3.91, 4.10, 4.11 (Except 44,000 lb. tandem axles) Note: 4.33 ratio for coach quality gearing also uses this std. diff. case.		3200-R-1900			A12-3235-C-1719		

PARTS LISTED IN THIS CATALOG ARE NOT NECESSARILY MANUFACTURED BY THE ORIGINAL EQUIPMENT MANUFACTURER AND ANY REFERENCE TO THE TRADEMARKS OR PART NUMBERS OF OTHERS ARE FOR CROSS REFERENCE INFORMATIONAL PURPOSES ONLY. THE TRADEMARKS OF OTHERS REFERRED TO HEREIN ARE OWNED BY THEIR RESPECTIVE COMPANIES AND ARE NOT AFFILIATED IN ANY WAY WITH MIDWEST TRUCK & AUTO PARTS, INC.® MOTIVE GEAR® AND WORLD AMERICAN® ARE THE REGISTERED TRADEMARKS OF MIDWEST TRUCK & AUTO PARTS, INC.® USE OF THE ® IN CONNECTION WITH A MARK OF MIDWEST TRUCK & AUTO PARTS, INC.® INDICATES THAT THE MARK IS REGISTERED IN AT LEAST THE UNITED STATES. NO REPRESENTATION IS MADE WITH RESPECT TO THE SOURCE OF MANUFACTURE OF ANY PARTICULAR PART. © 2005, MIDWEST TRUCK & AUTO PARTS, INC.® ALL RIGHTS RESERVED.

ROCKWELL® WORLD AXLE

CARRIERS FOR SINGLE AXLES AND REARS OF TANDEM AXLES

MODELS: 140, 141 & 145 SERIES (Cont'd)

ITEM	DESCRIPTION	REMARKS	CARRIER	QTY	PART NUMBER	
123 thru 130 (Cont)	Case & nest Assy main diff.	Ratios 4.30, 4.33, 4.56, 4.63, 4.88, 5.13, 5.29, 5.57, 5.86, 6.14, 6.43, 6.83, 7.17 (Except 44,000 lb. tandem axles)	Without diff. lock	3200-R-1590	Use 1 as req.	A14-3235-E-1721
		Ratios 3.42, 3.55, 3.58, 3.70, 3.73, 3.90, 3.91, 4.10, 4.11 (Except 44,000 lb. tandem axles) Note: 4.33 ratio for coach quality gearing also uses this std. diff. case	With diff. lock	A12-3200-R-1500		A4-3235-C-1719
		Ratios 4.30, 4.33, 4.56, 4.63, 4.88, 5.13, 5.29, 5.57, 5.86, 6.14, 6.43, 6.83, 7.17 (Except 44,000 lb. tandem axles)				A6-3235-E-1721
		Ratios 3.07, 3.08, 3.21 and 3.28				A3-3235-Y-1741
		Ratios 3.42, 3.55, 3.58, 3.70, 3.73, 3.90, 3.91, 4.10, 4.11 (Except 44,000 lb. tandem axles) Note: 4.33 ratio for coach quality gearing also uses this std. diff. case	Without diff. lock	RS16140, RS17140, 3200-M-1547 (1.85"-36 spline)		A1-3235-N-1938
123, 128, 130, 131	Case & nest Assy main diff.	Ratios 4.30, 4.33, 4.56, 4.63, 4.88, 5.13, 5.29, 5.57, 5.86, 6.14, 6.43, 6.83, 7.17 (Except 44,000 lb. tandem axles)	NoSPIN diff.	1678, 1765, 1885, 1885	Use 1 as req.	A12-3235-W-1843
		A11-3235-W-1843				
		Ratio 3.42, 3.58, 3.73, 3.90, 3.91, 4.10, 4.11 (except 44,000 lb.) Note: 4.33 ratio for coach quality gearing also uses this std. diff. case		1678, 1765, 1885, 1885		A12-3235-U-1841
						A11-3235-U-1841
		Ratios 3.42, 3.58, 3.73, 3.90, 3.91, 4.10, 4.11 (44,000 lb. tandem axles only)		3200-A-1873		A4-3235-D-2188
		Ratio 2.64, 2.79, 2.93		3200-L-1676		A12-3235-V-1920
						A11-3235-V-1920
						A12-3235-S-1839
						A11-3235-S-1839
						A4-3235-T-2152
123 thru 130, 204, 205, 206	Case & nest Assy main diff.	Ratio 2.64, 2.79, 2.93	Without diff. lock	With ABS tubes	Use 1 as req.	A6-3235-N-2172
		Ratio 3.07, 3.21				A7-3235-N-2172
						A3-3235-M-2171
		Ratios 3.42, 3.58, 3.73, 3.90, 3.91, 4.10, 4.11 (44,000 lb. tandem axles only)				A4-3235-M-2171
		Ratios 3.42, 3.58, 3.73, 3.90, 3.91, 4.10, 4.11 (Except 44,000 lb. tandem axles) NOTE: 4.33 ratio for coach quality gearing also uses this std. diff. case				A2-3235-Y-2261
		A4-3235-L-2170				

PARTS LISTED IN THIS CATALOG ARE NOT NECESSARILY MANUFACTURED BY THE ORIGINAL EQUIPMENT MANUFACTURER AND ANY REFERENCE TO THE TRADEMARKS OR PART NUMBERS OF OTHERS ARE FOR CROSS REFERENCE INFORMATIONAL PURPOSES ONLY. THE TRADEMARKS OF OTHERS REFERRED TO HEREIN ARE OWNED BY THEIR RESPECTIVE COMPANIES AND ARE NOT AFFILIATED IN ANY WAY WITH MIDWEST TRUCK & AUTO PARTS, INC.® MOTIVE GEAR® AND WORLD AMERICAN® ARE THE REGISTERED TRADEMARKS OF MIDWEST TRUCK & AUTO PARTS, INC.® USE OF THE ® IN CONNECTION WITH A MARK OF MIDWEST TRUCK & AUTO PARTS, INC.® INDICATES THAT THE MARK IS REGISTERED IN AT LEAST THE UNITED STATES. NO REPRESENTATION IS MADE WITH RESPECT TO THE SOURCE OF MANUFACTURE OF ANY PARTICULAR PART. © 2005, MIDWEST TRUCK & AUTO PARTS, INC.® ALL RIGHTS RESERVED.

ROCKWELL® WORLD AXLE
CARRIERS FOR SINGLE AXLES AND REARS OF TANDEM AXLES
MODELS: 140, 141 & 145 SERIES (Cont'd)

ITEM	DESCRIPTION	REMARKS	CARRIER	QTY	PART NUMBER	
123 thru 130, 204, 205, 208 (Cont)	Case & nestassy main diff	Ratios 3.42, 3.58, 3.73, 3.90, 3.91, 4.10, 4.11 (Except 44,000 lb. tandem axles) NOTE: 4.33 ratio for coach quality gearing also uses this std. diff. case	Without diff. lock	With ABS tubes	Use as 1 req	A3-3235-L-2170
		Ratios 4.30, 4.33, 4.56, 4.63, 4.88, 5.13, 5.29, 5.57, 5.86, 6.14, 6.43, 6.83, 7.17 (44,000 lb. tandem axles only)			Use as 1 as req	A2-3235-K-2168
		Ratios 4.30, 4.33, 4.56, 4.63, 4.88, 5.13, 5.29, 5.57, 5.86, 6.14, 6.43, 6.83, 7.17 [Except 44,000 lb. tandem axles]				A5-3235-J-2168 A4-3235-J-2168
124	Thrust washer - side gear	Not used on NoSPIN	All after 11/93 except 1.85"-36 spline All prior to 11/93 except 1.85"-36 spline RS16140, RS17140, 3200-M-1547 (1.85"-36 spline)	2	1229-V-4624 1229-X-4522 1229-Z-3172	
125	Side gear - differential	Included in KIT 2308	RS16140, RS17140, 3200-M-1547 (1.85"-36 spline)	2	2234-T-1896	
		Included in KIT 2388	RS16140, RS17140, RS17145 after 11/93 (1.85"-36 spline)		2234-V-1270	
			RS16140, RS17140, RS17145 prior to 11/93 (1.85"-36 spline)		KIT 2758	
		Included in KIT 2310	RS21145 and RR20145 after 11/93		2234-U-1269	
			RS21145 and RR20145 prior to 11/93		KIT 2759	
		Included in KIT 2696	RT44145 tandems after 11/93		2234-X-1272	
			RT44145 tandems from 1/93 to 11/93 RT44145 tandems prior to 1/93		KIT 2760 KIT 2696	
126	Thrust washer - diff. pinion		All except 1.85"-36 spline RS16140, RS17140, 3200-M-1547 (1.85"-36 spline)	4	1229-R-1032 1229-L-1826	
127	Gear - differential pinion		All except 1.85"-36 spline and RT44145 tandems produced after 1/93	4	2233-J-1824	
		Included in KIT 2308	RS16140, RS17140, 3200-M-1547 (1.85"-36 spline)		2233-M-1027	
		Included in KIT 2696	RT44145 tandems produced after 1/93		2233-X-1116	
128	Spider - differential (cross)		All except 1.85"-36 spline and RT44145 tandems produced after 1/93	1	3278-S-305	
		Included in KIT 2308	RS16140, RS17140, 3200-M-1547 (1.85"-36 spline)		3278-D-82	
		Included in KIT 2696	RT44145 tandems produced after 1/93		3278-Y-1117F	
129	Washer - main diff. case halves		All	16	1229-C-1511	
130	Cap screw - main diff. case halves		All	16	41-X-1327	
1304	Thread locking liquid		All	as req.	2297-C-7849	

PARTS LISTED IN THIS CATALOG ARE NOT NECESSARILY MANUFACTURED BY THE ORIGINAL EQUIPMENT MANUFACTURER AND ANY REFERENCE TO THE TRADEMARKS OR PART NUMBERS OF OTHERS ARE FOR CROSS REFERENCE INFORMATIONAL PURPOSES ONLY. THE TRADEMARKS OF OTHERS REFERRED TO HEREIN ARE OWNED BY THEIR RESPECTIVE COMPANIES AND ARE NOT AFFILIATED IN ANY WAY WITH MIDWEST TRUCK & AUTO PARTS, INC.® MOTIVE GEAR® AND WORLD AMERICAN® ARE THE REGISTERED TRADEMARKS OF MIDWEST TRUCK & AUTO PARTS, INC.® USE OF THE ® IN CONNECTION WITH A MARK OF MIDWEST TRUCK & AUTO PARTS, INC.® INDICATES THAT THE MARK IS REGISTERED IN AT LEAST THE UNITED STATES. NO REPRESENTATION IS MADE WITH RESPECT TO THE SOURCE OF MANUFACTURE OF ANY PARTICULAR PART. © 2005, MIDWEST TRUCK & AUTO PARTS, INC.® ALL RIGHTS RESERVED.

ROCKWELL® WORLD AXLE
CARRIERS FOR SINGLE AXLES AND REARS OF TANDEM AXLES
MODELS: 140, 141 & 145 SERIES (Cont'd)

ITEM	DESCRIPTION	REMARKS	CARRIER	QTY	PART NUMBER
131	NoSPIN diff. nest assembly	Serviced as assy. only. Replaces items 124-128	3200-M-1547 (1.85" 38 spline)	1	A-3238-V-1038
			RS16140, RS17140, RR17145, (except 3200-M-1547 1.85" 38 spline)		A2-3230-U-1835
			RS21145, RR20145 and RR22145		A-3238-T-1834
131A	Cover - special carrier - w/o diff. lock	Without diff. lock	3200-R-1500	1	3266-M-897
131B	Washer - cover - w/o diff. lock			4	MWA-508
131C	Capscrew - cover - w/o diff. lock			1	41-X-1880

Note: The following parts are used only on rear carriers with main differential lock.

132	Lock plate - adjusting ring R.H.		3200-R-1500	1	1220-K-89
133	Washer - lock plate			2	MWA-508
134	Capscrew - lock plate			2	MS-288029-1
135	Clutch collar - main diff. lock		1558, 1872, 1879 and 1904	1	3107-D-1818
			3200-R-1500		3107-R-1806
136	Shift fork	Old 1 pc. design New 1 pc. design Original 3 pc. design	1558 and 1872	1	3296-W-1167
			1879 and 1904		3296-Z-1170
			3200-R-1500		3296-F-189
137	Plate - shift fork	Original design	All	2	43-X-1807
138	Spring - main diff. lock		1509, 1558 and 1872	1	2258-L-714
			1879 and 1904		2258-N-1262
139	Shift shaft - main diff. lock		1558 and 1872	1	2244-L-1826
			1879 and 1904		2244-V-1114
			3200-R-1500		2244-Z-52
140	Pin - spring retaining	Original design	All	1	43-X-1806
141	Tube - air cylinder		All bolt-on designs	1	3196-F-32
142	Piston - air cylinder		Bolt-on shifter	1	2238-N-170
			Screw-in shifter		2238-T-1190
143	O-Ring - piston		Bolt-on shifter	1	5-X-1153
			Screw-in shifter		5X-1196
144	Gasket - air cylinder cover			1	2208-H-944
145	Capscrew - manual engaging		1558 and 1872	1	41-X-1330
			1879 and 1904		41-X-1368
			3200-R-1500		41-X-1333
145A	O-ring - manual engaging capscrew			1	5-X-521
146	Cover - air cylinder		All bolt-on designs	1	3266-F-1820
146A	Shift cylinder assembly		Screw-in design	1	3261-A-1867
147	Capscrew - air cylinder cover		1558 and 1872	4	41-X-1359
			3200-R-1500		41-X-1364
148	Washer - air cylinder cover		All bolt-on designs	4	MWA-506
149	Gasket - plug			1	2208-L-1800
150	Plug - air cylinder cover			1	MS-210016-1
151	Sensor/switch - main diff. lock	Includes item 151A	All	1	KIT 4455
151A	Clip - sensor/switch			1	2257-M-1235
152	Nut - sensor/switch		1500, 1558 and 1872	1	1227-P-1056

Note: The following parts are used only on rear carriers with internally mounted anti-lock brake system sensors.

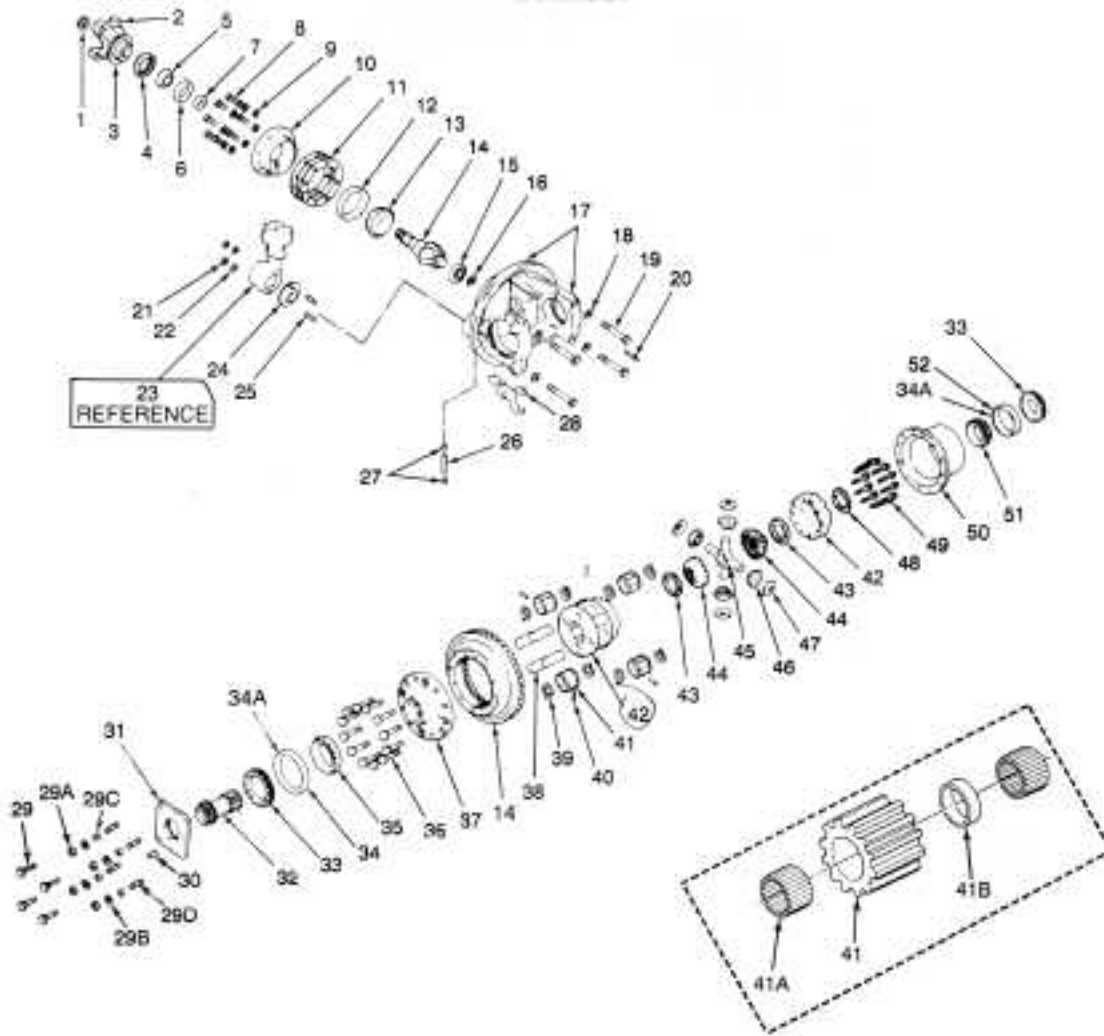
200	Wave washer			2	2258-U-1243
201	Snap ring			2	1229-B-4422
202	Snap ring			2	1229-U-4519
203	Sensor assembly			2	A1-3280-U-8861
204	Sensor - drive tube	39 spline	Use KIT 2511	2	3216-S-4361
		41 spline	Use KIT 2512		3216-Q-4359
205	Washer - tube spacing			2	42-X-1248
206	Snap ring - tube retaining			2	1229-H-4428

PARTS LISTED IN THIS CATALOG ARE NOT NECESSARILY MANUFACTURED BY THE ORIGINAL EQUIPMENT MANUFACTURER AND ANY REFERENCE TO THE TRADEMARKS OR PART NUMBERS OF OTHERS ARE FOR CROSS REFERENCE INFORMATIONAL PURPOSES ONLY. THE TRADEMARKS OF OTHERS REFERRED TO HEREIN ARE OWNED BY THEIR RESPECTIVE COMPANIES AND ARE NOT AFFILIATED IN ANY WAY WITH MIDWEST TRUCK & AUTO PARTS, INC.® MOTIVE GEAR® AND WORLD AMERICAN® ARE THE REGISTERED TRADEMARKS OF MIDWEST TRUCK & AUTO PARTS, INC.® USE OF THE ® IN CONNECTION WITH A MARK OF MIDWEST TRUCK & AUTO PARTS, INC.® INDICATES THAT THE MARK IS REGISTERED IN AT LEAST THE UNITED STATES. NO REPRESENTATION IS MADE WITH RESPECT TO THE SOURCE OF MANUFACTURE OF ANY PARTICULAR PART. © 2005, MIDWEST TRUCK & AUTO PARTS, INC.® ALL RIGHTS RESERVED.

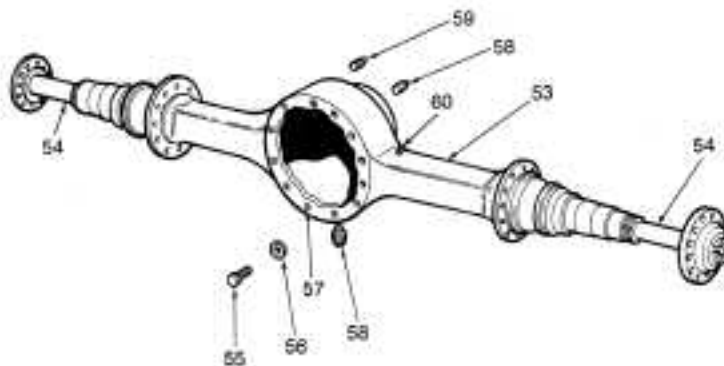
ROCKWELL®

2 SPEED SINGLE AXLES 210, 220, 230 & 240 SERIES

CARRIER ASSEMBLY



AXLE HOUSING ASSEMBLY



PARTS LISTED IN THIS CATALOG ARE NOT NECESSARILY MANUFACTURED BY THE ORIGINAL EQUIPMENT MANUFACTURER AND ANY REFERENCE TO THE TRADEMARKS OR PART NUMBERS OF OTHERS ARE FOR CROSS REFERENCE INFORMATIONAL PURPOSES ONLY. THE TRADEMARKS OF OTHERS REFERRED TO HEREIN ARE OWNED BY THEIR RESPECTIVE COMPANIES AND ARE NOT AFFILIATED IN ANY WAY WITH MIDWEST TRUCK & AUTO PARTS, INC.® MOTIVE GEAR® AND WORLD AMERICAN® ARE THE REGISTERED TRADEMARKS OF MIDWEST TRUCK & AUTO PARTS, INC.® USE OF THE ® IN CONNECTION WITH A MARK OF MIDWEST TRUCK & AUTO PARTS, INC.® INDICATES THAT THE MARK IS REGISTERED IN AT LEAST THE UNITED STATES. NO REPRESENTATION IS MADE WITH RESPECT TO THE SOURCE OF MANUFACTURE OF ANY PARTICULAR PART. © 2005, MIDWEST TRUCK & AUTO PARTS, INC.® ALL RIGHTS RESERVED.

ROCKWELL®

TWO SPEED AXLES MODELS: 210, 220, 230 AND 240 SERIES

ITEM	DESCRIPTION	MODEL	QTY	PART NUMBER	REMARKS
	Bearing, Seal & Gasket Kit			RA225R	
1	Nut-drive Pinion	All except 240's	1	40X1094	
		RS-23-240	1	40X1095	
2, 3	Input Yoke Assy		1		CALL YOUR SALES REP
3	Deflector-Input Yoke All except 240's		1	2297D3410	
		RS-23-240	1	2297N3888	
4	Oil Seal-Pinion Cage Assy	All except 240's	1	415082N	
		RS-23-240	1	100263	
5	Cone-Drive Pinion Outer Bearing	210's & 220's	1	M804049	
		RS-21-230	1	HM804846	
		RS-23-240	1	55206C	
6	Cup-drive Pinion Outer Bearing	210's & 220's	1	M804010	
		RS-21-230	1	HM804810	
		RS-23-240	1	55437	
7	Spacers-Pinion Bearing	All except 240's	Use 2 as req.	2203D9156 2203E9157 2203F9158 2203G9159 2203H9160 2203J9162 2203K9163 2203L9164 2203M9165 2203N9166 2203P9168	.234 inch/5.94 mm .235 inch/5.97 mm .236 inch/5.99 mm .237 inch/6.02 mm .238 inch/6.04 mm .239 inch/6.07 mm .244 inch/6.20 mm .250 inch/6.35 mm .256 inch/6.35 mm .262 inch/6.65 mm .268 inch/6.81 mm
		RS-23-240 Only	Use 2 as req.	2203C9103 2203D9104 2203E9105 2203F9106 2203G9107 2203H9108 2203J9110 2203K9111 2203L9112 2203M9113 2203N9114	.360 inch/9.14 mm .361 inch/9.17 mm .362 inch/9.19 mm .363 inch/9.22 mm .364 inch/9.25 mm .365 inch/9.27 mm .372 inch/9.45 mm .378 inch/9.60 mm .385 inch/9.78 mm .391 inch/9.93 mm .398 inch/10.11 mm
8	Capscrew-Pinion Bearing Cage	All	8	MS2120401	
9	Washer-Pinion Bearing Cage	All	8	MWA512	
6, 10, 12	Pinion Bearing Cage Assy	210's & 220's	1	A3226R1058	
		RS-21-230	1	A3226S1059	
		RS-23-240	1	A3226U1061	
11	Shims-Pinion Bearing Cage	All except 240's	Use as req.	2203S9171 2203Q9169 2203R9170	<u>.003 inch/.076 mm</u> <u>.005 inch/.127 mm</u> <u>.010 inch/.254 mm</u>
		RS-23-240	Use as req.	2203D9052 2203E9053 2203F9054	<u>.003 inch/.076 mm</u> <u>.005 inch/.127 mm</u> <u>.010 inch/.254 mm</u>
12	Cup-Driven Pinion Inner Bearing	All except 240's	1	55437	
		RS-23-240	1	78551	
13	Cone-Driven Pinion Bearing	All except 240's	1	55200C	
		RS-23-240	1	78225C	

PARTS LISTED IN THIS CATALOG ARE NOT NECESSARILY MANUFACTURED BY THE ORIGINAL EQUIPMENT MANUFACTURER AND ANY REFERENCE TO THE TRADEMARKS OR PART NUMBERS OF OTHERS ARE FOR CROSS REFERENCE INFORMATIONAL PURPOSES ONLY. THE TRADEMARKS OF OTHERS REFERRED TO HEREIN ARE OWNED BY THEIR RESPECTIVE COMPANIES AND ARE NOT AFFILIATED IN ANY WAY WITH MIDWEST TRUCK & AUTO PARTS, INC.® MOTIVE GEAR® AND WORLD AMERICAN® ARE THE REGISTERED TRADEMARKS OF MIDWEST TRUCK & AUTO PARTS, INC.® USE OF THE ® IN CONNECTION WITH A MARK OF MIDWEST TRUCK & AUTO PARTS, INC.® INDICATES THAT THE MARK IS REGISTERED IN AT LEAST THE UNITED STATES. NO REPRESENTATION IS MADE WITH RESPECT TO THE SOURCE OF MANUFACTURE OF ANY PARTICULAR PART. © 2005, MIDWEST TRUCK & AUTO PARTS, INC.® ALL RIGHTS RESERVED.

ROCKWELL®

TWO SPEED AXLES

MODELS: 210, 220, 230 AND 240 SERIES (Cont'd)

ITEM	DESCRIPTION	MODEL	QTY	PART NUMBER	REMARKS
14, 1	Drive Gear Pinion and Nut Assy	RS15-210	Use 1 as req.	A39696-1	4.10 Ratio
				A39698-1	4.56 Ratio
				A39700-1	4.88 Ratio
				A39702-1	5.38 Ratio
				A39704-1	6.14 Ratio
				A39706-1	6.83 Ratio
				A39726-1	3.91 Ratio
				A39728-1	4.10 Ratio
		RS-17-220	Use 1 as req.	A39730-1	4.56 Ratio
				A39732-1	4.88 Ratio
				A39734-1	5.38 Ratio
				A39742-1	6.14 Ratio
				A39744-1	6.83 Ratio
				A39746-1	7.17 Ratio
				A39766-1	3.91 Ratio
				A39768-1	4.10 Ratio
		RS-21-230	Use 1 as req.	A39770-1	4.56 Ratio
				A39772-1	4.88 Ratio
				A39776-1	5.38 Ratio
				A39926-1	6.50 Ratio
A39928-1	6.83 Ratio				
A39930-1	7.17 Ratio				
A39952-1	4.10 Ratio				
A39954-1	4.30 Ratio				
RS23-240	Use 1 as req.	A39956-1	4.56 Ratio		
		A39958-1	4.88 Ratio		
		A39962-1	5.38 Ratio		
		A39964-1	5.57 Ratio		
		A39968-1	6.14 Ratio		
		A39970-1	6.50 Ratio		
		A39974-1	7.17 Ratio		
15	Bearing-drive Pinion Spigot	RS-15-210	1	MUB1305UDM	
		RS-17-220	1	RU1570UM	
		230's & 240's	1	MUB1307UBM	
16	Snap Ring-Spigot Bearing Retainer	RS-15-210	1	1229W1167	
		All except 210's	1	1229A1301	
17, 18, 19	Differential Carrier and Cap Assy	RS-15-210	1	A2-3200H1568	
		RS-17-220	1	A2-3200D1616	
		RS-21-230	1	A2-3200D1564	
		RS-23-240	1	A2-3200F1566	
18	Washer-Differential Bearing Cap	All except 240's	4	MWA516	
		RS-23-240	4	42X1021	
19	Capscrew-Differential Bearing Cap	210's & 220's	4	MS2161101	
		RS-21-230	4	MS2161301	
		RS-23-240	4	MS2201301	
20	Cotter Pin - Adjusting Ring R.H.	All	1	2297C5151	
21	Nut-Shift Assy to Carrier	All	2	1227D1278	
22	Washer-Shift Assy Stud	All	2	WA17	
23	Shift Assy-Air, Vacuum or Electric	All	1	Reference Only	Supplied by vehicle manufacturer

PARTS LISTED IN THIS CATALOG ARE NOT NECESSARILY MANUFACTURED BY THE ORIGINAL EQUIPMENT MANUFACTURER AND ANY REFERENCE TO THE TRADEMARKS OR PART NUMBERS OF OTHERS ARE FOR CROSS REFERENCE INFORMATIONAL PURPOSES ONLY. THE TRADEMARKS OF OTHERS REFERRED TO HEREIN ARE OWNED BY THEIR RESPECTIVE COMPANIES AND ARE NOT AFFILIATED IN ANY WAY WITH MIDWEST TRUCK & AUTO PARTS, INC.® MOTIVE GEAR® AND WORLD AMERICAN® ARE THE REGISTERED TRADEMARKS OF MIDWEST TRUCK & AUTO PARTS, INC.® USE OF THE ® IN CONNECTION WITH A MARK OF MIDWEST TRUCK & AUTO PARTS, INC.® INDICATES THAT THE MARK IS REGISTERED IN AT LEAST THE UNITED STATES. NO REPRESENTATION IS MADE WITH RESPECT TO THE SOURCE OF MANUFACTURE OF ANY PARTICULAR PART. © 2005, MIDWEST TRUCK & AUTO PARTS, INC.® ALL RIGHTS RESERVED.

ROCKWELL®

TWO SPEED AXLES

MODELS: 210, 220, 230 AND 240 SERIES (Cont'd)

ITEM	DESCRIPTION	MODEL	QTY	PART NUMBER	REMARKS
24	Diaphragm-Shift Unit (Boot Assy)	All	1	A3280M8307	
25	Stud-Shift Assy to Carrier	All	2	SN7141	
26	Pin-Shift Fork	All	1	1246L1026	
27	Plugs-Shift Fork Pin Hole	All	2	1250J1024	
28	Shift Fork Assy	RS-15-210 RS-17-220 RS-21-230 RS-23-240	1 1 1 1	A3296J1024 A3296L1026 A3296N1028 A3296Q1031	
29	Capscrew-Clutch Plate to Carrier	RS-15-210 RS-17-220	4 4	41X1158 41X1157	
29A	Nut-Clutch Plate Stud	230's & 240's	4	40X1091	
29B	Washer-Clutch Plate to Carrier	230's & 240's	4	42X1078	
29C	Dowel-Clutch Plate to Carrier	230's & 240's	4	42X1076	
29D	Stud-Clutch Plate to Carrier	230's & 240's	4	44X1066	
30	Lock Pin L.H. (Clutch Plate)	210's & 220's 230's & 240's	1 1	1246J1024 1246H1022	
31	Clutch Plate	RS-15-210 RS-17-220 RS-21-230 RS-23-240	1 1 1 1	Use KIT 2455 Use KIT 2456 Use KIT 2457 Use KIT 2458	
32	Sun Gear	RS-15-210 RS-17-240 RS-21-230 RS-23-240	1 1 1 1	Use KIT 2455 Use KIT 2456 Use KIT 2457 Use KIT 2458	
33	Adjusting Rings	RS-15-210 RS-17-220 RS-21-230 RS-23-240 210's & 220's 230's & 240's	1 1 1 1 1 1	2214D1044 2214H1048 2214M1053 2214B1042 2214F1046 2214K1051	L.H. R.H.
34	Cup-Differential Bearing (L.H.)	RS-15-210 RS-17-220 RS-21-230 RS-23-240	1 1 1 1	JM716610 42584 52618 JP12010	
34A	Adhesive-Bearing Cup	All	1	2297T4180	
35	Cone-Differential Bearing (L.H.)	RS-15-210 RS-17-220 RS-21-230 RS-23-240	1 1 1 1	JM716649 42381 52400 JP12049	
36	Capscrew-Support Case to Gear	RS-15-210 RS-17-220 RS-21-230 RS-23-240	8 8 8 8	41X1154 41X1152 41X1151 41X1153	
37	Support Case-Planetary Half (L.H.)	RS-15-210 RS-17-220 RS-21-230 RS-23-240	1 1 1 1	Use KIT 2455 Use KIT 2456 Use KIT 2457 Use KIT 2458	

PARTS LISTED IN THIS CATALOG ARE NOT NECESSARILY MANUFACTURED BY THE ORIGINAL EQUIPMENT MANUFACTURER AND ANY REFERENCE TO THE TRADEMARKS OR PART NUMBERS OF OTHERS ARE FOR CROSS REFERENCE INFORMATIONAL PURPOSES ONLY. THE TRADEMARKS OF OTHERS REFERRED TO HEREIN ARE OWNED BY THEIR RESPECTIVE COMPANIES AND ARE NOT AFFILIATED IN ANY WAY WITH MIDWEST TRUCK & AUTO PARTS, INC.® MOTIVE GEAR® AND WORLD AMERICAN® ARE THE REGISTERED TRADEMARKS OF MIDWEST TRUCK & AUTO PARTS, INC.® USE OF THE ® IN CONNECTION WITH A MARK OF MIDWEST TRUCK & AUTO PARTS, INC.® INDICATES THAT THE MARK IS REGISTERED IN AT LEAST THE UNITED STATES. NO REPRESENTATION IS MADE WITH RESPECT TO THE SOURCE OF MANUFACTURE OF ANY PARTICULAR PART. © 2005, MIDWEST TRUCK & AUTO PARTS, INC.® ALL RIGHTS RESERVED.

ROCKWELL®

TWO SPEED AXLES MODELS: 210, 220, 230 AND 240 SERIES (Cont'd)

ITEM	DESCRIPTION	MODEL	QTY	PART NUMBER	REMARKS
38	Shaft-Planetary Pinion	RS-15-210	4	3198C1017	Old style non-needle Bronze replacement (Before Aug. 1991)
		RS-17-220	4	3198U1009	
		RS-21-230	4	3198V1010	
		RS-23-240	4	3198W1011	
		RS-15-210	4	3198A1015	New style needle bearing (After Aug. 1991)
		RS-17-220	4	3198Z1014	
		RS-21-230	4	3198X1012	
		RS-23-240	4	3198Y1013	
39	Thrust Washer-Planetary Pinion	All except 240's	8	1229K3183	Old style non-needle (Before Aug. 1991)
		RS-23-240	8	1229H3180	
		All except 240's	8	1229W3195	New style needle bearing (After Aug. 1991)
		RS-23-240	8	1229V3194	
40	Roll Pin-Planetary Pinion	RS-15-210	4	1246K1025	
		All except 210's	4	1246H1022	
41	Gear-Planetary Pinion	RS-15-210	4	3892G4843	Old style non-needle (Before Aug. 1991)
		RS-17-220	4	3892M4849	
		RS-21-230	4	3892N4850	
		RS-23-240	4	3892U2803	
		RS-15-210	4	3892T4856	New style needle bearing (After Aug. 1991)
		RS-17-220	4	3892S4855	
		RS-21-230	4	3892Q4853	
		RS-23-240	4	3892R4854	
41A	Needle Bearing-Planetary Pinion Shaft	RS-15-210	200	2297E5179	
		220's & 230's	200	2297C5177	
		RS-23-240	224	2297D5178	
41B	Spacer-Needle Bearing	210's & 220's	4	2203E9599	
		RS-21-230	4	2203C9597	
		RS-23-240	4	2203D9598	
42, 49	Differential Case Assy	RS-15-210	1	A3-3235Q1889 (1)	Old style non-needle (Before Aug. 1991)
		RS-17-220	1	A3-3235H1906 (1)	
		RS-21-230	1	A3-3235G1905 (1)	
		RS-23-240	1	A4-3235S1865 (1)	
		RS-15-210	1	A3235Q1889	New Style Needle Bearing (After Aug. 1991)
		RS-17-220	1	A3235H1906	
		RS-21-230	1	A3235G1905	
		RS-23-240	1	A1-3235S1865	
42, 43, 44, 45 46, 47 49	Differential Case and Nest Assy	RS-15-210	1	A4-3235Q1889 (2)	Old style non-needle (Before Aug. 1991)
		RS-17-220	1	A4-3235H1906 (2)	
		RS-21-230	1	A4-3235G1905 (2)	
		RS-23-240	1	A5-3235S1865 (2)	
		RS-15-210	1	A1-3235Q1889	New style needle bearing (After Aug. 1991)
		RS-17-220	1	A1-3235H1906	
		RS-21-230	1	A1-3235G1905	
		RS-23-240	1	A3235S1865	

(1) Includes item numbers 38, 39, 40, 41, 41A, 41B, 42 & 49.

(2) Includes item numbers 38, 39, 40, 41, 41A, 41B, 42, 43, 44, 45, 46, 47, &

PARTS LISTED IN THIS CATALOG ARE NOT NECESSARILY MANUFACTURED BY THE ORIGINAL EQUIPMENT MANUFACTURER AND ANY REFERENCE TO THE TRADEMARKS OR PART NUMBERS OF OTHERS ARE FOR CROSS REFERENCE INFORMATIONAL PURPOSES ONLY. THE TRADEMARKS OF OTHERS REFERRED TO HEREIN ARE OWNED BY THEIR RESPECTIVE COMPANIES AND ARE NOT AFFILIATED IN ANY WAY WITH MIDWEST TRUCK & AUTO PARTS, INC.® MOTIVE GEAR® AND WORLD AMERICAN® ARE THE REGISTERED TRADEMARKS OF MIDWEST TRUCK & AUTO PARTS, INC.® USE OF THE ® IN CONNECTION WITH A MARK OF MIDWEST TRUCK & AUTO PARTS, INC.® INDICATES THAT THE MARK IS REGISTERED IN AT LEAST THE UNITED STATES. NO REPRESENTATION IS MADE WITH RESPECT TO THE SOURCE OF MANUFACTURE OF ANY PARTICULAR PART. © 2005, MIDWEST TRUCK & AUTO PARTS, INC.® ALL RIGHTS RESERVED.

ROCKWELL®
TWO SPEED AXLES
MODELS: 210, 220, 230 AND 240 SERIES (Cont'd)

ITEM	DESCRIPTION	MODEL	QTY	PART NUMBER	REMARKS
43	Thrust Washer-Side Gear	210-s & 220's	2	1229Z3172	
		RS-21-230	2	1229T1034	
		RS-23-240	2	1229B3174	
44	Side Gears	RS-15-210	1	2234L1130	L.H. Short Hub
		RS-15-210	1	2234M1131	R.H. Long Hub
		RS-17-220	1	2234T1086	L.H. Short Hub
		RS-17-220	1	2234S1085	R.H. Long Hub
		RS-21-230	1	2234K1077	L.H. Short Hub
		RS-21-230	1	2234M1079	R.H. Long Hub
		RS-23-240	1	2234X1090	L.H. Short Hub
		RS-23-240	1	2234W1089	R.H. Long Hub
45	Spider-Differential Cross	RS-15-210	1	3278Z104	
		RS-17-220	1	3278D82	
		RS-21-230	1	3278H86	
		RS-23-240	1	3278Q1031	
46	Gear-Differential Pinion	RS-15-210	4	2233Q1031	
		RS-17-220	4	2233M1027	
		RS-21-230	4	2233J1024	
		RS-23-240	4	2233P1030	
47	Thrust Washer-Differential Pinion	RS-15-210	4	1229Q2877	
		RS-17-220	4	1229L1026	
		RS-21-230	4	1229R1032	
		RS-23-240	4	1229A3173	
48	Thrust Washer-Differential Case	210's & 220's	1	1229Z3172	
		RS-21-230	1	1229T1034	
		RS-23-240	1	1229B3174	
49	Capscrew-Differential Case	All	12	41-X-1149	
50	Support Case-Plain Half (R.H.)	RS-15-210	1	3280P8310	
		RS-17-220	1	3280G8301	
		RS-21-230	1	3280H8302	
		RS-23-240	1	3280J8304	
51	Cone-Differential Bearing R.H.	210's & 220's	1	JLM714149	
		230's & 240's	1	JM716649	
52	Cup-Differential Bearing R.H.	210's & 220's	1	JLM714110	
		230's & 240's	1	JM716610	
53	Axle-Housing Assy	All	1	As specified	
54	Axle Shafts		2		CALL YOUR SALES REP
55	Capscrew-Carrier to Housing	RS-15-210	12	S2814-1	Short Long
		All except 210's	8	S21014-1	
		All except 210's	4	S21020-1	
56	Washer-Carrier to Housing	RS-15-210	12	1229C1511	
		All except 210's	12	1229U1503	
57	Gasket-Carrier to Housing (Silastic)	All	Use as req.	1199T3842	
58	Plugs-Magnetic	All	2	1250E473	
59	Plug-Head Indicator All	All	P28		
60	Housing Breather Assy	All	1	A1199P1394	

PARTS LISTED IN THIS CATALOG ARE NOT NECESSARILY MANUFACTURED BY THE ORIGINAL EQUIPMENT MANUFACTURER AND ANY REFERENCE TO THE TRADEMARKS OR PART NUMBERS OF OTHERS ARE FOR CROSS REFERENCE INFORMATIONAL PURPOSES ONLY. THE TRADEMARKS OF OTHERS REFERRED TO HEREIN ARE OWNED BY THEIR RESPECTIVE COMPANIES AND ARE NOT AFFILIATED IN ANY WAY WITH MIDWEST TRUCK & AUTO PARTS, INC.® MOTIVE GEAR® AND WORLD AMERICAN® ARE THE REGISTERED TRADEMARKS OF MIDWEST TRUCK & AUTO PARTS, INC.® USE OF THE ® IN CONNECTION WITH A MARK OF MIDWEST TRUCK & AUTO PARTS, INC.® INDICATES THAT THE MARK IS REGISTERED IN AT LEAST THE UNITED STATES. NO REPRESENTATION IS MADE WITH RESPECT TO THE SOURCE OF MANUFACTURE OF ANY PARTICULAR PART. © 2005, MIDWEST TRUCK & AUTO PARTS, INC.® ALL RIGHTS RESERVED.

ROCKWELL®

CARRIER FEATURES CHART

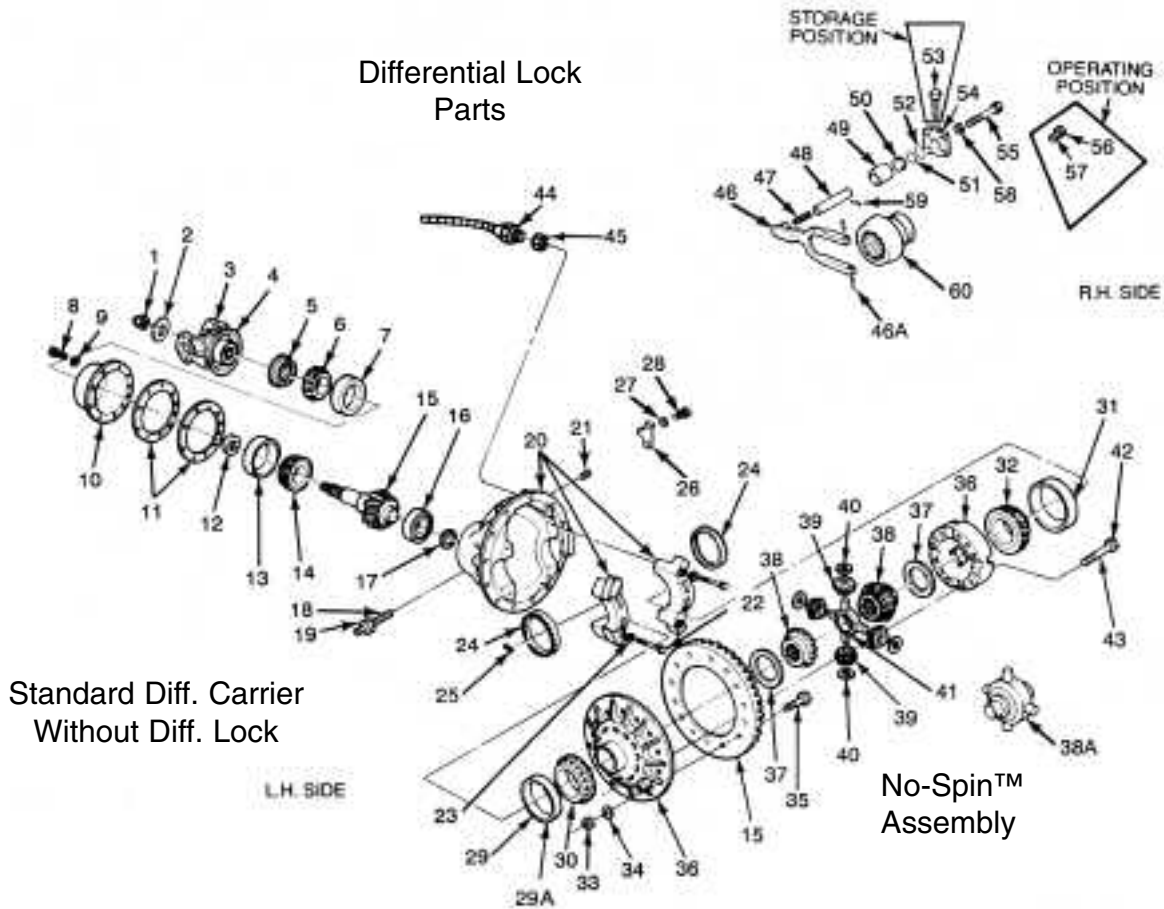
A34-3200F1488	STANDARD DIFFERENTIAL - NO THRUST SCREW
A30-3200F1488	NO-SPIN™ DIFFERENTIAL - NO THRUST SCREW
A56-3200P1498	HI-TRACTION DIFFERENTIAL - NO THRUST SCREW
A61-3200P1498	MAIN DIFFERENTIAL LOCK - NO THRUST SCREW
A11-3200K1519	STANDARD DIFFERENTIAL - WITH THRUST SCREW
A3-3200M1651	STANDARD DIFFERENTIAL - SPECIAL MACHINED



PARTS LISTED IN THIS CATALOG ARE NOT NECESSARILY MANUFACTURED BY THE ORIGINAL EQUIPMENT MANUFACTURER AND ANY REFERENCE TO THE TRADEMARKS OR PART NUMBERS OF OTHERS ARE FOR CROSS REFERENCE INFORMATIONAL PURPOSES ONLY. THE TRADEMARKS OF OTHERS REFERRED TO HEREIN ARE OWNED BY THEIR RESPECTIVE COMPANIES AND ARE NOT AFFILIATED IN ANY WAY WITH MIDWEST TRUCK & AUTO PARTS, INC.® MOTIVE GEAR® AND WORLD AMERICAN® ARE THE REGISTERED TRADEMARKS OF MIDWEST TRUCK & AUTO PARTS, INC.® USE OF THE ® IN CONNECTION WITH A MARK OF MIDWEST TRUCK & AUTO PARTS, INC.® INDICATES THAT THE MARK IS REGISTERED IN AT LEAST THE UNITED STATES. NO REPRESENTATION IS MADE WITH RESPECT TO THE SOURCE OF MANUFACTURE OF ANY PARTICULAR PART. © 2005, MIDWEST TRUCK & AUTO PARTS, INC.® ALL RIGHTS RESERVED.

ROCKWELL®

DIFFERENTIAL CARRIER MODELS: RS13-120, 15-120 AND 125 SINGLE AXLES



ITEM	DESCRIPTION	REMARKS	QTY	PART NUMBER
	Bearing, Seal & Gasket Kit			RA218R
1	Nut-Drive Pinion	In KIT 2636	1	40X1236
2	Washer-Drive Pinion Nut	In KIT 2636	1	1229A2653
3, 4	Input Yoke Assembly		1	CALL YOUR SALES REP
4	Deflector-Input Yoke		1	DEFR40-4
5	Oil Seal-Pinion Brg. Cage Assy		1	415082N
6	Cone-Drive Pinion Outer Bearing		1	HM804846
7	Cup-Drive Pinion Outer Bearing		1	HM804810
8	Capscrew-Pinion Bearing Cage		8	MS212040-1
9	Washer-Pinion Bearing Cage		8	MWA-512
10 (1), 7, 13	Pinion Bearing Cage Assy		1	A3226Z858
11	Shims-Pinion		Use	2203K8487
	Bearing Cage		as req.	2203L8488
				2203X8812
				2203C8791

(1) Includes item numbers 38, 39, 40, 41, 41A, 41B, 42 & 49.

PARTS LISTED IN THIS CATALOG ARE NOT NECESSARILY MANUFACTURED BY THE ORIGINAL EQUIPMENT MANUFACTURER AND ANY REFERENCE TO THE TRADEMARKS OR PART NUMBERS OF OTHERS ARE FOR CROSS REFERENCE INFORMATIONAL PURPOSES ONLY. THE TRADEMARKS OF OTHERS REFERRED TO HEREIN ARE OWNED BY THEIR RESPECTIVE COMPANIES AND ARE NOT AFFILIATED IN ANY WAY WITH MIDWEST TRUCK & AUTO PARTS, INC.® MOTIVE GEAR® AND WORLD AMERICAN® ARE THE REGISTERED TRADEMARKS OF MIDWEST TRUCK & AUTO PARTS, INC.® USE OF THE ® IN CONNECTION WITH A MARK OF MIDWEST TRUCK & AUTO PARTS, INC.® INDICATES THAT THE MARK IS REGISTERED IN AT LEAST THE UNITED STATES. NO REPRESENTATION IS MADE WITH RESPECT TO THE SOURCE OF MANUFACTURE OF ANY PARTICULAR PART. © 2005, MIDWEST TRUCK & AUTO PARTS, INC.® ALL RIGHTS RESERVED.

ROCKWELL®

DIFFERENTIAL CARRIER

MODELS: RS13-120, 15-120 AND 125 SINGLE AXLES (Cont'd)

ITEM	DESCRIPTION	REMARKS	QTY	PART NUMBER
12	Spacers-Pinion Bearing Preload		Use 2 as req.	.236 inch/6.00 mm
				2803Q2513
				.238 inch/6.05 mm
				2803R2514
				.239 inch/6.08 mm
				2803S2515
				.242 inch/6.15 mm
				2803T2516
.243 inch/6.18 mm				
2803U2517				
.246 inch/6.25 mm				
2803V2518				
.247 inch/6.28 mm				
2803W2519				
.248 inch/6.30 mm				
2803X2520				
13	Cup-Drive Pinion Inner Bearing		1	55437
14	Cone-Drive Pinion Inner Bearing		1	55200C
15, 1, 2, 17	Drive Gear, Pinion & Nut Assembly		Use 1 as req.	3.31 Ratio
				A38784-4
				3.58 Ratio
				A41588-1
				3.73 Ratio
				A38988-4
				3.91 Ratio
				A39504-4
				4.10 Ratio
				A38774-4
				4.30 Ratio
				A39502-4
				4.56 Ratio
				A38990-4
4.88 Ratio				
A38992-4				
5.13 Ratio				
A38994-4				
5.29 Ratio				
A39500-3				
5.57 Ratio				
A38996-4				
5.86 Ratio				
A38928-4				
6.14 Ratio				
A39498-3				
6.83 Ratio				
A39382-3				
7.17 Ratio				
A39496-3				
16	Bearing-Drive Pinion Spigot		1	1228H580
17	Snap Ring-Pinion Spigot Bearing		1	1229W1167
18	Thrust Screw	Used on 3200K1519 Only	1	41X1021
19	Jam Nut	Used on 3200K1519 Only	1	40X1016
20 (1), 22, 23	Differential Carrier and Cap Assembly	Standard Mounting For Differential Lock Standard w/External Support Rib Machine Differential Lock w/Thrust Screw		A2-3200F1488 A2-3200P1498 A2-3200K1519 A2-3200M1651
21	Plug		1	45-X-1003
22	Capscrew-Differential Bearing Cap		4	MS216090-1
23	Washer-Differential Bearing Cap		4	1229U1503
24	Adjusting Rings	L.H. (Small)	1	2214B288
		R.H. (Large)	1	2214C289
25	Cotter Pin-Adjusting Ring L.H.		1	1199R2176
26	Lock-Adjusting Ring R.H.		1	1220K89
27	Washer-Adjusting Ring Lock		2	MWA508
28	Capscrew-Adjusting Ring Lock		2	MS208020-1
29	Cup-Differential Bearing L.H.		1	JM511910

(1) Includes item numbers 38, 39, 40, 41, 41A, 41B, 42 & 49.

PARTS LISTED IN THIS CATALOG ARE NOT NECESSARILY MANUFACTURED BY THE ORIGINAL EQUIPMENT MANUFACTURER AND ANY REFERENCE TO THE TRADEMARKS OR PART NUMBERS OF OTHERS ARE FOR CROSS REFERENCE INFORMATIONAL PURPOSES ONLY. THE TRADEMARKS OF OTHERS REFERRED TO HEREIN ARE OWNED BY THEIR RESPECTIVE COMPANIES AND ARE NOT AFFILIATED IN ANY WAY WITH MIDWEST TRUCK & AUTO PARTS, INC.® MOTIVE GEAR® AND WORLD AMERICAN® ARE THE REGISTERED TRADEMARKS OF MIDWEST TRUCK & AUTO PARTS, INC.® USE OF THE ® IN CONNECTION WITH A MARK OF MIDWEST TRUCK & AUTO PARTS, INC.® INDICATES THAT THE MARK IS REGISTERED IN AT LEAST THE UNITED STATES. NO REPRESENTATION IS MADE WITH RESPECT TO THE SOURCE OF MANUFACTURE OF ANY PARTICULAR PART. © 2005, MIDWEST TRUCK & AUTO PARTS, INC.® ALL RIGHTS RESERVED.

ROCKWELL®
DIFFERENTIAL CARRIER
MODELS: RS13-120, 15-120 AND 125 SINGLE AXLES (Cont'd)

ITEM	DESCRIPTION	REMARKS	QTY	PART NUMBER	
29A	Adhesive-Bearing Cup		1	2297T4180	
30	Cone-Differential Bearing L.H.		1	3994	
31	Cup-Differential Bearing R.H.		1	34478	
32	Cone-Differential Bearing R.H.		1	34306	
33	Nut-Gear to Case	Used in KIT 2600	12	40X1234	
34	Washer-Gear to Case	Used in KIT 2600	12	1229C1511	
35	Capscrew-Gear to Case	Used in KIT 2600	12	41X1331	
36, 42	Differential Case Assembly	3.31, 3.58, 3.73, 3.91, 4.10, 4.30 4.56, 4.88, 5.13, 5.29, 5.57, 5.86, 6.14, 6.83, 7.17	Standard Differential and Hi-Traction Only	1	A3235G1723
		3.31, 3.58, 3.73, 3.91, 4.10, 4.30 4.56, 4.88, 5.13, 5.29, 5.57, 5.86, 6.14, 6.83, 7.17	Standard Differential and Hi-Traction Only	1	A3235J1726
		3.31, 3.58, 3.73, 3.91, 4.10, 4.30 4.56, 4.88, 5.13, 5.29, 5.57, 5.86, 6.14, 6.83, 7.17	Differential Lock Carriers Only	1	A10-3235G1723
		3.31, 3.58, 3.73, 3.91, 4.10, 4.30 4.56, 4.88, 5.13, 5.29, 5.57, 5.86, 6.14, 6.83, 7.17	Differential Lock Carriers Only	1	A7-3235J1726
		3.31, 3.58, 3.73, 3.91, 4.10, 4.30 4.56, 4.88, 5.13, 5.29, 5.57, 5.86, 6.14, 6.83, 7.17			
36, 37, 38 39, 40, 41 42, 43	Differential Case Assy (Standard Differential Nest Only)	3.31, 3.58, 3.73, 3.91, 4.10, 4.30 4.56, 4.88, 5.13, 5.29, 5.57, 5.86, 6.14, 6.83, 7.17		1	A1-3235G1723 A1-3235J1726
37	Thrust Washer-Side Gear		2	1229K4457	
38	Side Gear-Differential	Standard Differential Nest Only	2	2234E1097	
		Hi-Traction Differential Only	2	2234L1208	
38A	No-Spin™ Assembly		1	A3230Q1031	
39	Gear-Differential Pinion	Standard Differential Nest Only	4	2233Q1031	
		Hi-Traction Differential Only	4	2233J452	
40	Thrust Washer-Differential Pinion		4	1229Q2877	
41	Spider-Differential	Standard Differential Nest Only	1	3278P1004	
		Hi-Traction Differential Only	1	3278Z104	
42	Capscrew-Differential Case		12	41-X-1284	
43	Thread Locking Liquid		1	2297C7049	

PARTS LISTED IN THIS CATALOG ARE NOT NECESSARILY MANUFACTURED BY THE ORIGINAL EQUIPMENT MANUFACTURER AND ANY REFERENCE TO THE TRADEMARKS OR PART NUMBERS OF OTHERS ARE FOR CROSS REFERENCE INFORMATIONAL PURPOSES ONLY. THE TRADEMARKS OF OTHERS REFERRED TO HEREIN ARE OWNED BY THEIR RESPECTIVE COMPANIES AND ARE NOT AFFILIATED IN ANY WAY WITH MIDWEST TRUCK & AUTO PARTS, INC.® MOTIVE GEAR® AND WORLD AMERICAN® ARE THE REGISTERED TRADEMARKS OF MIDWEST TRUCK & AUTO PARTS, INC.® USE OF THE ® IN CONNECTION WITH A MARK OF MIDWEST TRUCK & AUTO PARTS, INC.® INDICATES THAT THE MARK IS REGISTERED IN AT LEAST THE UNITED STATES. NO REPRESENTATION IS MADE WITH RESPECT TO THE SOURCE OF MANUFACTURE OF ANY PARTICULAR PART. © 2005, MIDWEST TRUCK & AUTO PARTS, INC.® ALL RIGHTS RESERVED.

ROCKWELL®

DIFFERENTIAL CARRIER

LOCK PARTS

ITEM NUMBER	DESCRIPTION	REMARKS	QTY	PART NUMBER
44	Sensor-Differential Lock		1	3237U1061
45	Locknut-Sensor Switch		1	1227P1056
46	Shift Fork		1	3296H190
46A	Pin-Roll		2	43-X-1007
47	Spring-Shift Shaft		1	2258L714
48	Shift Shaft		1	2244Z52
49	Tube-Air Cylinder		1	3196F32
50	Piston-Main Differential Lock		1	2230N170
51	O-Ring Piston		1	5-X-1153
52	Gasket-Air Cylinder Cover		1	2208H944
53	Capscrew-Manual Engaging		1	41-X-1333
54	Cover-Air Cylinder		1	3266F1020
55	Capscrew-Air Cylinder		4	41-X-1364
56	Plug-Air Cylinder Cover		1	MS210016-1
57	Gasket-Plug		1	2208L1000
58	Washer-Cover Fastener		4	MWA506
59	Roll Pin-Shift Shaft		1	43-X-1006
60	Clutch Collar			1 3107H60

PARTS LISTED IN THIS CATALOG ARE NOT NECESSARILY MANUFACTURED BY THE ORIGINAL EQUIPMENT MANUFACTURER AND ANY REFERENCE TO THE TRADEMARKS OR PART NUMBERS OF OTHERS ARE FOR CROSS REFERENCE INFORMATIONAL PURPOSES ONLY. THE TRADEMARKS OF OTHERS REFERRED TO HEREIN ARE OWNED BY THEIR RESPECTIVE COMPANIES AND ARE NOT AFFILIATED IN ANY WAY WITH MIDWEST TRUCK & AUTO PARTS, INC.® MOTIVE GEAR® AND WORLD AMERICAN® ARE THE REGISTERED TRADEMARKS OF MIDWEST TRUCK & AUTO PARTS, INC.® USE OF THE ® IN CONNECTION WITH A MARK OF MIDWEST TRUCK & AUTO PARTS, INC.® INDICATES THAT THE MARK IS REGISTERED IN AT LEAST THE UNITED STATES. NO REPRESENTATION IS MADE WITH RESPECT TO THE SOURCE OF MANUFACTURE OF ANY PARTICULAR PART. © 2005, MIDWEST TRUCK & AUTO PARTS, INC.® ALL RIGHTS RESERVED.

**We specialize in many applications including
transmission, driveline, differential,
brake components, air valves and more.**

We wholesale products for the light, medium and heavy duty drivetrain markets, as well as the performance racing and off road markets.

The Midwest Family

Midwest Truck & Auto Parts, Inc.™ was divided into specialty divisions in order to provide better service and product lines to the entire customer base.

Motive Gear® (Light Duty and 4x4) was founded in 1984 and has grown into one of America's leading wholesale supplier of quality aftermarket drivetrain components for truck and car applications. Motive Gear produces and markets ring and pinion gears, axle shafts, differentials, clutches, drivetrains, bearing kits, spindle drives, manual transmission components, 4x4 components, nodular housings, transfer cases, drive chains, winches, locking hubs, lockers and much more.

Motive Gear Performance® was established in 1994 in an effort to provide customers with an even greater range of quality products specializing in performance differential components for street, stock car, and strip use.

World American™ supplies transmission, differential, brake, steering, driveline and suspension products to the global heavy duty aftermarket. World American has more gear ratios and bearing kits than any other supplier in America. Product quality, performance, value and customer satisfaction is taken seriously and guaranteed at World American. The heavy duty product line offers a wide range of differential & transmission components, bearing kits, clutches, brake components, and steering & electrical safety components.

MIDWEST™
TRUCK & AUTO PARTS INC.



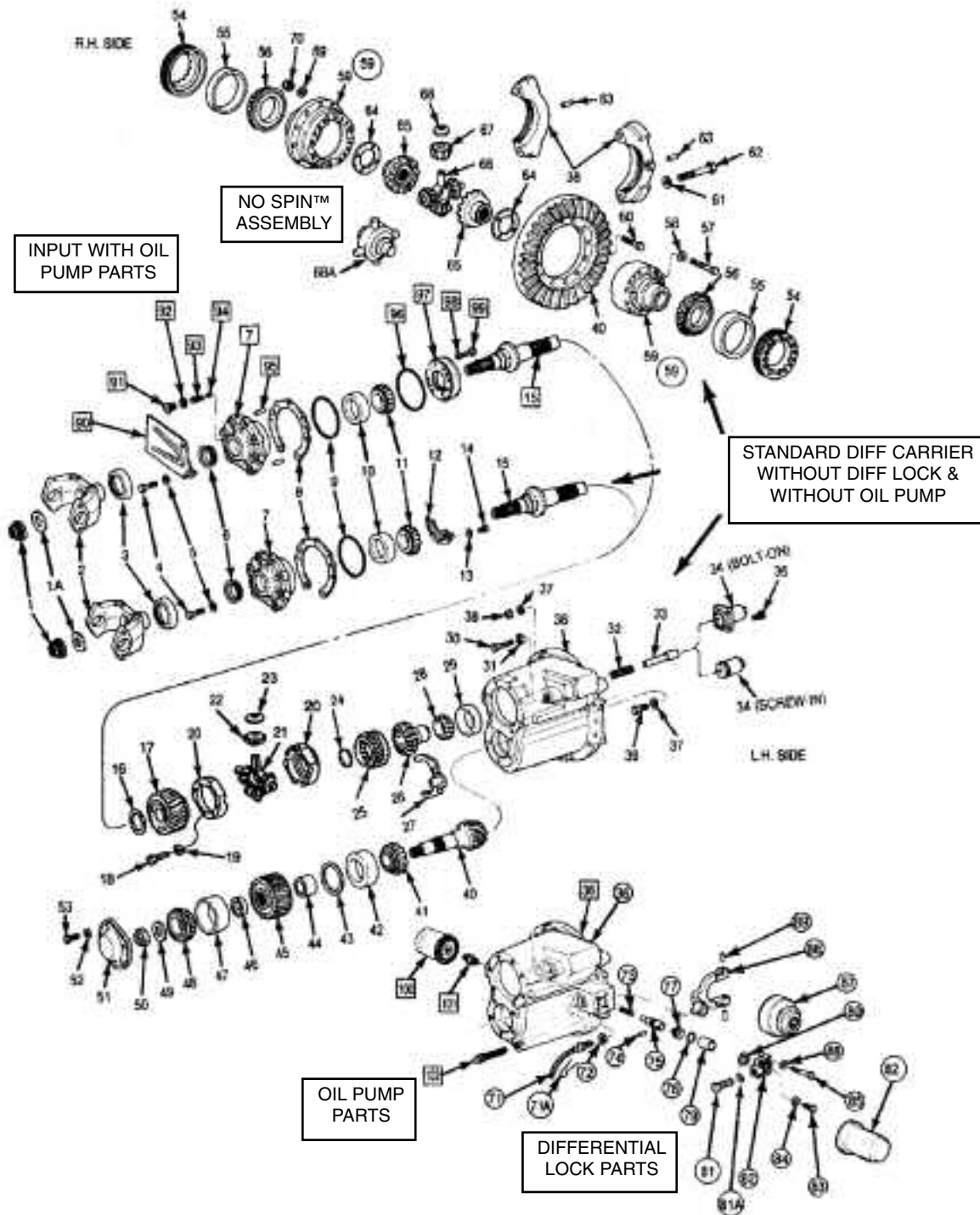
**Motive
Gear**®

Motive Gear™
Performance

PARTS LISTED IN THIS CATALOG ARE NOT NECESSARILY MANUFACTURED BY THE ORIGINAL EQUIPMENT MANUFACTURER AND ANY REFERENCE TO THE TRADEMARKS OR PART NUMBERS OF OTHERS ARE FOR CROSS REFERENCE INFORMATIONAL PURPOSES ONLY. THE TRADEMARKS OF OTHERS REFERRED TO HEREIN ARE OWNED BY THEIR RESPECTIVE COMPANIES AND ARE NOT AFFILIATED IN ANY WAY WITH MIDWEST TRUCK & AUTO PARTS, INC.® MOTIVE GEAR® AND WORLD AMERICAN® ARE THE REGISTERED TRADEMARKS OF MIDWEST TRUCK & AUTO PARTS, INC.® USE OF THE ® IN CONNECTION WITH A MARK OF MIDWEST TRUCK & AUTO PARTS, INC.® INDICATES THAT THE MARK IS REGISTERED IN AT LEAST THE UNITED STATES. NO REPRESENTATION IS MADE WITH RESPECT TO THE SOURCE OF MANUFACTURE OF ANY PARTICULAR PART. © 2005, MIDWEST TRUCK & AUTO PARTS, INC.® ALL RIGHTS RESERVED.

ROCKWELL® WORLD AXLE

FORWARD CARRIERS OF TANDEM AXLES
 MODELS: 160, 161 AND 164 SERIES

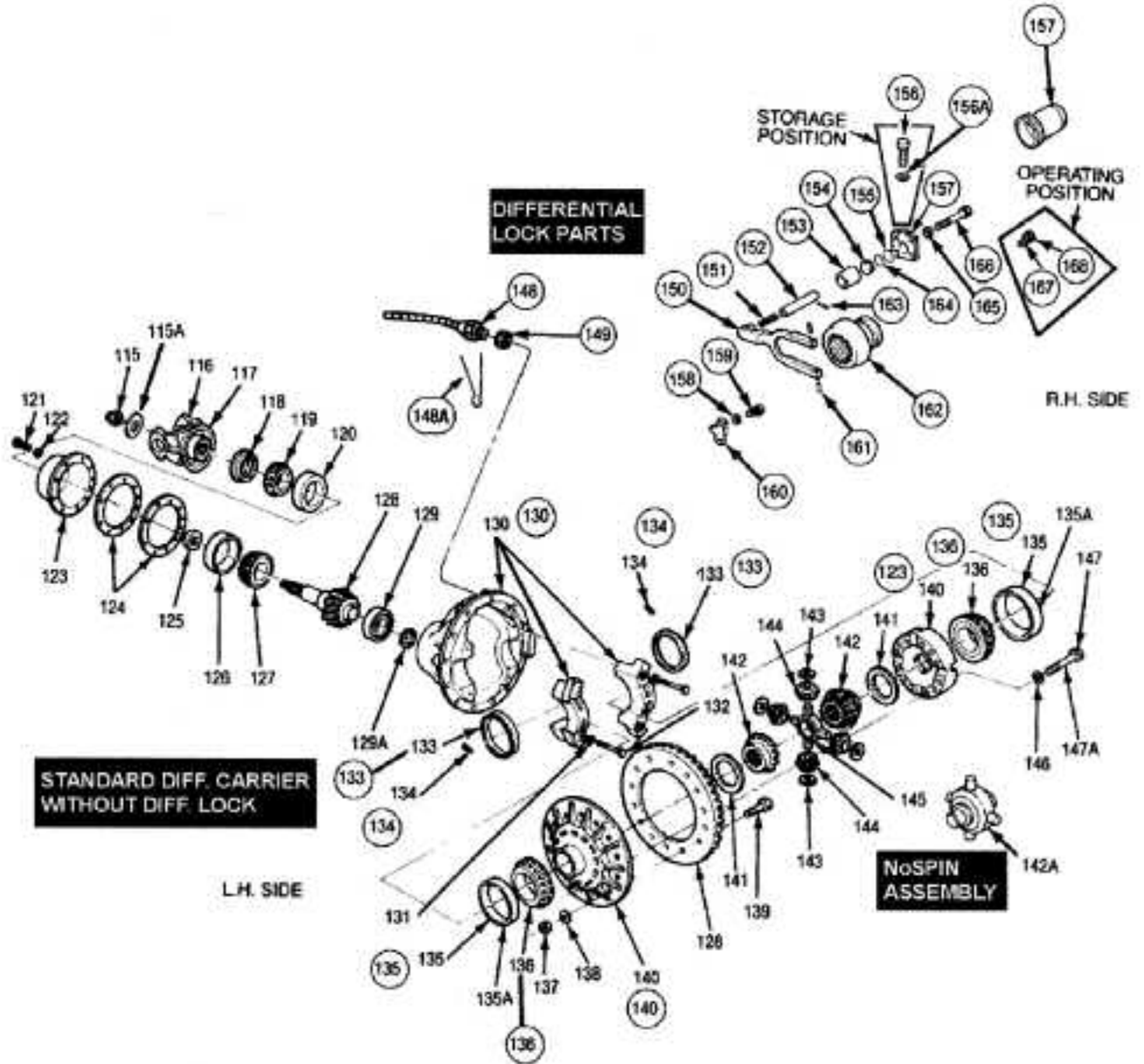


- Circled ○ numbers are diff. lock parts or parts that change when diff. lock is added.
- Squared □ numbers are oil pump parts or parts that change when oil pump is added.

PARTS LISTED IN THIS CATALOG ARE NOT NECESSARILY MANUFACTURED BY THE ORIGINAL EQUIPMENT MANUFACTURER AND ANY REFERENCE TO THE TRADEMARKS OR PART NUMBERS OF OTHERS ARE FOR CROSS REFERENCE INFORMATIONAL PURPOSES ONLY. THE TRADEMARKS OF OTHERS REFERRED TO HEREIN ARE OWNED BY THEIR RESPECTIVE COMPANIES AND ARE NOT AFFILIATED IN ANY WAY WITH MIDWEST TRUCK & AUTO PARTS, INC.® MOTIVE GEAR® AND WORLD AMERICAN® ARE THE REGISTERED TRADEMARKS OF MIDWEST TRUCK & AUTO PARTS, INC.® USE OF THE ® IN CONNECTION WITH A MARK OF MIDWEST TRUCK & AUTO PARTS, INC.® INDICATES THAT THE MARK IS REGISTERED IN AT LEAST THE UNITED STATES. NO REPRESENTATION IS MADE WITH RESPECT TO THE SOURCE OF MANUFACTURE OF ANY PARTICULAR PART. © 2005, MIDWEST TRUCK & AUTO PARTS, INC.® ALL RIGHTS RESERVED.

ROCKWELL® WORLD AXLE

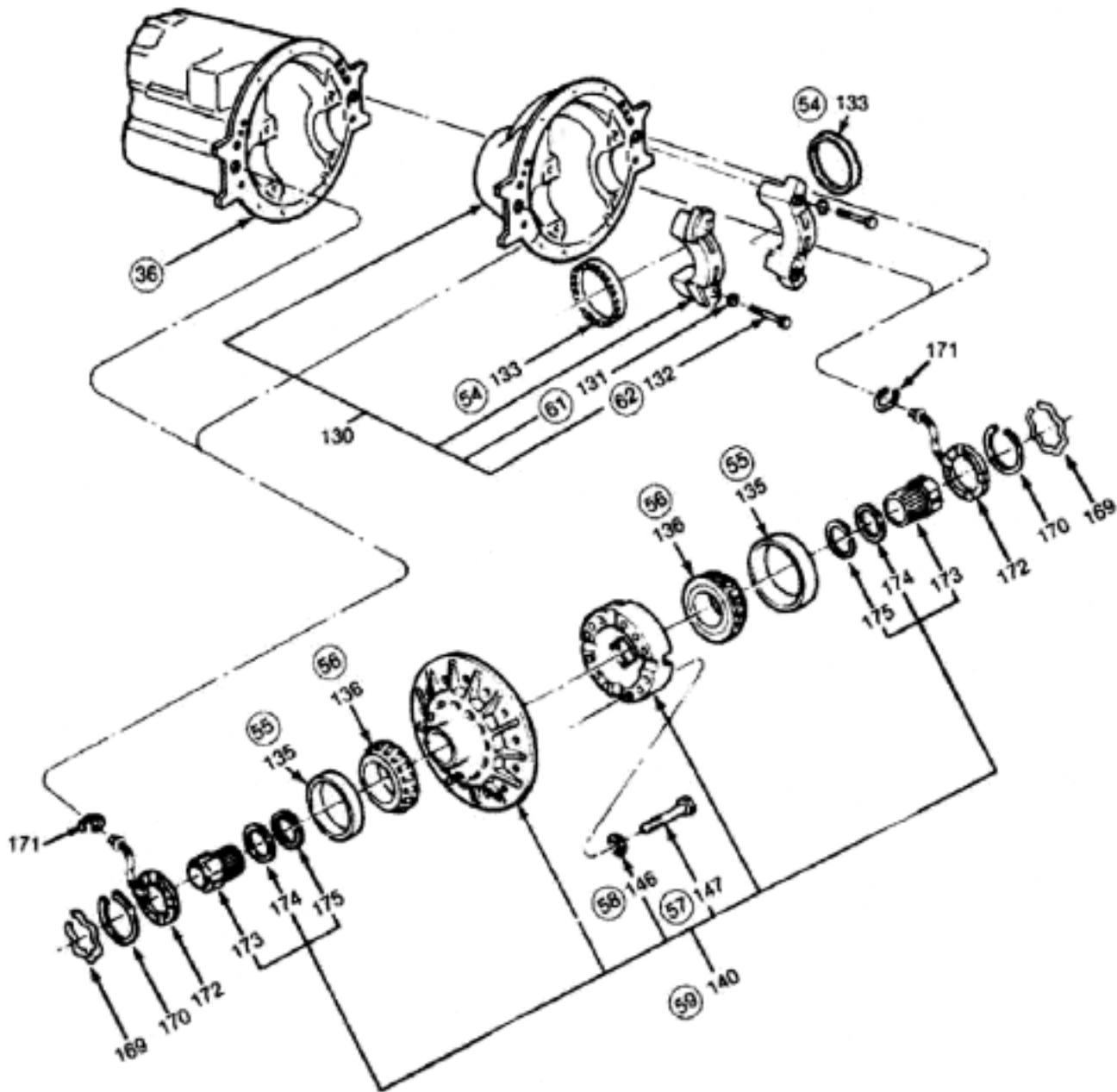
CARRIERS FOR SINGLE AXLES AND
REAR OF TANDEM AXLES
160, 161 AND 164 SERIES



PARTS LISTED IN THIS CATALOG ARE NOT NECESSARILY MANUFACTURED BY THE ORIGINAL EQUIPMENT MANUFACTURER AND ANY REFERENCE TO THE TRADEMARKS OR PART NUMBERS OF OTHERS ARE FOR CROSS REFERENCE INFORMATIONAL PURPOSES ONLY. THE TRADEMARKS OF OTHERS REFERRED TO HEREIN ARE OWNED BY THEIR RESPECTIVE COMPANIES AND ARE NOT AFFILIATED IN ANY WAY WITH MIDWEST TRUCK & AUTO PARTS, INC.® MOTIVE GEAR® AND WORLD AMERICAN® ARE THE REGISTERED TRADEMARKS OF MIDWEST TRUCK & AUTO PARTS, INC.® USE OF THE ® IN CONNECTION WITH A MARK OF MIDWEST TRUCK & AUTO PARTS, INC.® INDICATES THAT THE MARK IS REGISTERED IN AT LEAST THE UNITED STATES. NO REPRESENTATION IS MADE WITH RESPECT TO THE SOURCE OF MANUFACTURE OF ANY PARTICULAR PART. © 2005, MIDWEST TRUCK & AUTO PARTS, INC.® ALL RIGHTS RESERVED.

ROCKWELL® WORLD AXLE

CARRIERS WITH INTERNAL A.B.S.
160, 161 AND 164 SERIES



PARTS LISTED IN THIS CATALOG ARE NOT NECESSARILY MANUFACTURED BY THE ORIGINAL EQUIPMENT MANUFACTURER AND ANY REFERENCE TO THE TRADEMARKS OR PART NUMBERS OF OTHERS ARE FOR CROSS REFERENCE INFORMATIONAL PURPOSES ONLY. THE TRADEMARKS OF OTHERS REFERRED TO HEREIN ARE OWNED BY THEIR RESPECTIVE COMPANIES AND ARE NOT AFFILIATED IN ANY WAY WITH MIDWEST TRUCK & AUTO PARTS, INC.® MOTIVE GEAR® AND WORLD AMERICAN® ARE THE REGISTERED TRADEMARKS OF MIDWEST TRUCK & AUTO PARTS, INC.® USE OF THE ® IN CONNECTION WITH A MARK OF MIDWEST TRUCK & AUTO PARTS, INC.® INDICATES THAT THE MARK IS REGISTERED IN AT LEAST THE UNITED STATES. NO REPRESENTATION IS MADE WITH RESPECT TO THE SOURCE OF MANUFACTURE OF ANY PARTICULAR PART. © 2005, MIDWEST TRUCK & AUTO PARTS, INC.® ALL RIGHTS RESERVED.

AXLE MODELS - CARRIERS - FEATURES

160, 161, 164 SERIES

Single Reduction Axles (Single & Tandem)

AXLE MODELS			CARRIERS	INTER-AXLE DIFF.	MAIN DIFF. LOCK	NO-SPIN™ DIFF.	OIL PUMP	CARRIER PARTS CHART NUMBER
RS-21160/161	Single Axle		A1-3200-P-1706					2
RS-23160/161			A1-3200-H-1854 (1) (2)					2
RS-24160/161			A1-3200-J-1856 (2)					2
RS-25160/161			A1-3200-Y-1897 (1)					2
RS-26160/161			A1-3200-T-1892		X			2
			A4-3200-Y-1897 (1)		X			2
			A17-3200-P-1706			X		2
			A15-3200-Y-1897 (1)			X		2
<hr/>								
RT-40160	Forward	RD-20160	A1-3200-X-1818	X				1
RT-46160		RD-23160	A6-3200-Q-1837 (3)	X				1
RT-46164		RD-23164	A1-3200-K-1857 (2)	X				1
RT-50160		RD-25160	A1-3200-W-1895	X	X			1
RT-52160		RD-26160	A1-3200-J-1908 (3)	X	X			1
			A4-3200-X-1818	X		X		1
		RP-20160	A1-3200-L-1858 (2)	X			X	1
		RP-23160	A4-3200-V-1894	X			X	1
		RP-23164	A1-3200-K-1909 (3)	X			X	1
		RP-25160	A1-3200-V-1894	X	X		X	1
		RP-26160	A5-3200-K-1909 (3)	X	X		X	1
			A9-3200-V-1894	X		X	X	1
<hr/>								
RT-40160	Rear	RR-20160	A1-3200-P-1706					2
RT-46160		RR-23160	A1-3200-A-1821 (3)					2
RT-46164		RR-23164	A1-3200-H-1854 (1) (2)					2
RT-50160		RR-25160	A1-3200-J-1856 (2)					2
RT-52160		RR-26160	A1-3200-Y-1897 (1)					2
			A1-3200-E-1929 (1) (3)					
			A1-3200-T-1892		X			2
			A4-3200-Y-1897 (1)		X			2
			A1-3200-D-1928 (3)		X			2
			A4-3200-E-1929 (1) (3)		X			2
			A17-3200-P-1706			X		2
			A15-3200-Y-1897 (1)			X		2

- (1) - Aluminum
 (2) - Internal ABS

PARTS LISTED IN THIS CATALOG ARE NOT NECESSARILY MANUFACTURED BY THE ORIGINAL EQUIPMENT MANUFACTURER AND ANY REFERENCE TO THE TRADEMARKS OR PART NUMBERS OF OTHERS ARE FOR CROSS REFERENCE INFORMATIONAL PURPOSES ONLY. THE TRADEMARKS OF OTHERS REFERRED TO HEREIN ARE OWNED BY THEIR RESPECTIVE COMPANIES AND ARE NOT AFFILIATED IN ANY WAY WITH MIDWEST TRUCK & AUTO PARTS, INC.® MOTIVE GEAR® AND WORLD AMERICAN® ARE THE REGISTERED TRADEMARKS OF MIDWEST TRUCK & AUTO PARTS, INC.® USE OF THE ® IN CONNECTION WITH A MARK OF MIDWEST TRUCK & AUTO PARTS, INC.® INDICATES THAT THE MARK IS REGISTERED IN AT LEAST THE UNITED STATES. NO REPRESENTATION IS MADE WITH RESPECT TO THE SOURCE OF MANUFACTURE OF ANY PARTICULAR PART. © 2005, MIDWEST TRUCK & AUTO PARTS, INC.® ALL RIGHTS RESERVED.

ROCKWELL® WORLD AXLE

FORWARD CARRIERS OF TANDEM AXLES - 160, 161 AND 164 SERIES

Bearing, Seal & Gasket Kit - Multiple Kits Available		CALL YOUR SALES REP		
1	Nut - Input Yoke & Shaft	Included in KIT 2638		1 40-x-1233
1A	Washer - Input Nut			1 1229-W-4521
2, 3	Yoke & Deflector Assembly - Input			1 CALL SALES REP
3	Deflector - Input Yoke			1 DEFR56-7
4	Capscrew - Input Bearing Cage			7 MS-212040-1
5	Washer - Input Bearing Cage			7 MWA-512
6	Oil Seal Assembly I- Input Shaft			1 4345V
7, 10	Bearing, Cage & Cup Assy - Input		All less pump	1 A-3226-S-1137
			All with pump	A-3226-H-1126
8	Shims - Input Bearing Cage	<u>.003" / .076mm</u> <u>.005" / .127mm</u> <u>.010" / .254mm</u>	Included in KIT 2429	Use as req. 2203-K-9241 2203-L-9242 2203-M-9243
9	O-Ring - Bearing Cage			1 5-X-1034
10	Cup - Input Shaft Bearing			1 HM-813810
11	Cone - Input Shaft Bearing			1 HM-813843
12	Baffle - Oil	Use without oil pump		1 3221-P-1004
13	Washer - Oil Baffle			3 1229-E-1669
14	Capscrew - Oil Baffle			3 MS-208016-1
15, 1	Input Shaft & Nut Assembly		All less pump	1 A-3297-C-1199
15, 1	Input Shaft, Nut, Ball & Pin Assy	Carriers with pump	All others	1 A1-3297-X-1194
			For old style A1-3297-H-1022 Input Shaft	KIT 2624
16	Thrust Washer - Helical drive gear	Included in KIT 2796		1 1229-A-4785
17	Gear - Helical drive gear			1 3892-T-4934
18	Capscrew - Inter-axle Diff. Case			8 MS-210045A-1
19	Washer - Inter-axle Diff. Case			8 1229-K-1597
20, 18,	Case Assembly - Inter-axle		After 10/00	1 A5-3235-A-2393
19			Prior to 10/00	A1-3235-A-2393
20, 18,	Diff. Case & Pinion Nest Assy - Inter-axle			1 A3-3235-A-2393
19, 21,				
22, 23				
21	Spider (cross) - Inter-axle Diff.	Included in KIT 2796 and KIT 2248		1 3278-N-300
22	Pinion Gear - Inter-axle Diff.			4 2233-K-245
23	Thrust Washer - Inter-axle Diff. pinion			4 1229-Q-2929
24	Snap Ring - Inter-axle Diff.			1 2297-S-5349
25	Clutch Collar - Inter-axle Diff.	Included in KIT 2796		1 A1-3235-A-2393
26	Side Gear - Inter-axle Diff., rear			1 2234-T-1190
27	Shift fork - Inter-axle Diff.		Included in Item 25	1 A-3296-T-1086
28	Cone - Rear side gear bearing			1 JLM-714149

PARTS LISTED IN THIS CATALOG ARE NOT NECESSARILY MANUFACTURED BY THE ORIGINAL EQUIPMENT MANUFACTURER AND ANY REFERENCE TO THE TRADEMARKS OR PART NUMBERS OF OTHERS ARE FOR CROSS REFERENCE INFORMATIONAL PURPOSES ONLY. THE TRADEMARKS OF OTHERS REFERRED TO HEREIN ARE OWNED BY THEIR RESPECTIVE COMPANIES AND ARE NOT AFFILIATED IN ANY WAY WITH MIDWEST TRUCK & AUTO PARTS, INC.® MOTIVE GEAR® AND WORLD AMERICAN® ARE THE REGISTERED TRADEMARKS OF MIDWEST TRUCK & AUTO PARTS, INC.® USE OF THE ® IN CONNECTION WITH A MARK OF MIDWEST TRUCK & AUTO PARTS, INC.® INDICATES THAT THE MARK IS REGISTERED IN AT LEAST THE UNITED STATES. NO REPRESENTATION IS MADE WITH RESPECT TO THE SOURCE OF MANUFACTURE OF ANY PARTICULAR PART. © 2005, MIDWEST TRUCK & AUTO PARTS, INC.® ALL RIGHTS RESERVED.

ROCKWELL® WORLD AXLE

FORWARD CARRIERS OF TANDEM AXLES - 160, 161 AND 164 SERIES (Cont'd)

ITEM	DESCRIPTION	REMARKS	CARRIER	QTY	PART NUMBER		
29	Cup - Rear side gear bearing			1	JLM-714110		
30	Adjusting screw - Shift shaft			1	41-X-1208		
31	Jam Nut - Adjusting screw			1	MN-312-1		
32	Spring - Shift Shaft Return			4	2258-U-411		
33	Shift Shaft - Inter-axle Diff.			1	2244-K-1025		
34	Shift Assy - Inter-axle Diff. Air	Screw-in style	Incl. 5-X-1198 O-Ring	1	A2-3261-Q-1057		
		Bolt-on style			A-3261-L-350		
35	Capscrew - Air Shift Assy	Bolt-on style		1	10-X-1334		
36, 61, 62	Differential Carrier & Cap Assembly	Less pump, Less Diff. Lock	Ratios - 3.07, 3.21, 3.42, 3.57, 3.73	3200-J-1648 Original design	1	KIT 2644	
					Ratios - 3.91, 4.10, 4.30, 4.56		KIT 2644A
					Ratios - 4.89, 5.38, 5.63, 6.14, 6.43, 6.83, 7.17		KIT 2644B
		Internal ABS	3200-K-1857		A2-3200-K-1857		
		New differential brg.	3200-M-1703		KIT 2618		
		Screw-in IAD Shifter, w/thrust screw	3200-Q-1837		A2-3200-Q-1837		
		Screw-in IAD Shifter	3200-X-1818		A2-3200-X-1818		
		Less pump, w/Diff. Lock	Screw-in IAD & Main Diff. Shift Cylinder, w/thrust screw	3200-J-1908		A2-3200-J-1908	
			Original design	3200-W-1713		KIT 2617	
			Screw-in IAD & Main Diff. Shift Cylinder	3200-W-1895		A2-3200-W-1895	
			Screw-in IAD Shifter	3200-Y-1819		KIT 2764	
		With Pump, Less Diff. Lock	Screw-in IAD Shifter, w/thrust screw	3200-K-1909		A2-3200-K-1909	
			Screw-in IAD Shifter	3200-V-1894		A2-3200-V-1894	
				3200-Z-1820		KIT 2766	
		With Pump, w/Diff. Lock	New differential brg.	3200-K-1701		KIT 2616	
Screw-in IAD & Main Diff. Shift Cylinder, w/thrust screw	3200-K-1909			A2-3200-K-1909			
Ratios - 3.07, 3.21, 3.42, 3.58, 3.73	3200-P-1628 Original design			KIT 2640			

PARTS LISTED IN THIS CATALOG ARE NOT NECESSARILY MANUFACTURED BY THE ORIGINAL EQUIPMENT MANUFACTURER AND ANY REFERENCE TO THE TRADEMARKS OR PART NUMBERS OF OTHERS ARE FOR CROSS REFERENCE INFORMATIONAL PURPOSES ONLY. THE TRADEMARKS OF OTHERS REFERRED TO HEREIN ARE OWNED BY THEIR RESPECTIVE COMPANIES AND ARE NOT AFFILIATED IN ANY WAY WITH MIDWEST TRUCK & AUTO PARTS, INC.® MOTIVE GEAR® AND WORLD AMERICAN® ARE THE REGISTERED TRADEMARKS OF MIDWEST TRUCK & AUTO PARTS, INC.® USE OF THE ® IN CONNECTION WITH A MARK OF MIDWEST TRUCK & AUTO PARTS, INC.® INDICATES THAT THE MARK IS REGISTERED IN AT LEAST THE UNITED STATES. NO REPRESENTATION IS MADE WITH RESPECT TO THE SOURCE OF MANUFACTURE OF ANY PARTICULAR PART. © 2005, MIDWEST TRUCK & AUTO PARTS, INC.® ALL RIGHTS RESERVED.

ROCKWELL® WORLD AXLE

FORWARD CARRIERS OF TANDEM AXLES - 160, 161 AND 164 SERIES (Cont'd)

ITEM	DESCRIPTION	REMARKS	CARRIER	QTY	PART NUMBER
36, 61, 62 (cont'd)	Differential Carrier & Cap Assembly	With Pump, w/Diff. Lock	Ratios - 3.91, 4.10, 4.30, 4.56	3200-P-1628 Original design	KIT 2640A
			Ratios - 4.89, 5.38, 5.63, 6.14, 6.43, 6.83, 7.17		KIT 2640B
			Screw-in IAD & Main Diff. Shift Cylinder	3200-V-1894	A2-3200-V-1894
			Screw-in IAd Shifter	3200-Z-1820	KIT 2763
36A	Thrust Screw (not shown)			1	15-X-1167
36B	Jam Nut (not shown)			1	1227-D-472
37	Washer - Carrier to Housing	Ref. only - not included with any carrier		12	1229-U-1503
38	Nut - Carrier to Housing Stud			2	NL-110-1
39	Capscrew - Carrier to housing	Long		3	S-21028-2
		Short		7	10-X-1594
40, 50	Drive Gear Pinion & Nut Assembly	3.07 Ratio		Use 1 as req.	A-39654-1
		3.21 Ratio			A-39656-1
		3.42 Ratio			A-39658-1
		3.58 Ratio			A-39660-1
		3.73 Ratio			A-39662-1
		3.91 Ratio			A-39876-1
		4.10 Ratio			A-39878-1
		4.30 Ratio			A-39880-1
		4.56 Ratio			A-39882-1
		4.89 Ratio			A-39664-1
		5.38 Ratio			A-39666-1
		5.63 Ratio			A-39672-1
		6.14 Ratio			A-39674-1
		6.43 Ratio			A-39891-2
6.83 Ratio	A-41064-1				
	7.17 Ratio	A-39896-1			
41	Cone - Drive Pinion Inner Bearing			1	H-715343
42	Cup - Drive Pinion Inner Bearing			1	H-715311
43	Shims - Pinion Inner bearing cup	.003" / .076mm .005" / .127mm .010" / .254mm	Included in KIT 2429	Use as req.	2203-F-2788 2203-G-2789 2203-H-2790
44	Spacer - Pinion Bearing Inner			1	1244-W-1765
45	Gear - Helical driven			1	3892-U-4909

PARTS LISTED IN THIS CATALOG ARE NOT NECESSARILY MANUFACTURED BY THE ORIGINAL EQUIPMENT MANUFACTURER AND ANY REFERENCE TO THE TRADEMARKS OR PART NUMBERS OF OTHERS ARE FOR CROSS REFERENCE INFORMATIONAL PURPOSES ONLY. THE TRADEMARKS OF OTHERS REFERRED TO HEREIN ARE OWNED BY THEIR RESPECTIVE COMPANIES AND ARE NOT AFFILIATED IN ANY WAY WITH MIDWEST TRUCK & AUTO PARTS, INC.® MOTIVE GEAR® AND WORLD AMERICAN® ARE THE REGISTERED TRADEMARKS OF MIDWEST TRUCK & AUTO PARTS, INC.® USE OF THE ® IN CONNECTION WITH A MARK OF MIDWEST TRUCK & AUTO PARTS, INC.® INDICATES THAT THE MARK IS REGISTERED IN AT LEAST THE UNITED STATES. NO REPRESENTATION IS MADE WITH RESPECT TO THE SOURCE OF MANUFACTURE OF ANY PARTICULAR PART. © 2005, MIDWEST TRUCK & AUTO PARTS, INC.® ALL RIGHTS RESERVED.

ROCKWELL® WORLD AXLE

FORWARD CARRIERS OF TANDEM AXLES - 160, 161 AND 164 SERIES (Cont'd)

ITEM	DESCRIPTION	REMARKS	CARRIER	QTY	PART NUMBER
46	Spacers - Pinion bearing Out (variable thickness)	.451" /11.45mm	Included in KIT 2397	Use	2203-V-9824
		.452" /11.50mm			2203-W-9825
		.453" /11.50mm			2203-X-9826
		.454" /11.53mm			2203-Y-9827
		.455" /11.55mm			2203-Z-9828
		.459" /11.65mm			2203-A-9829
		.463" /11.75mm			2203-B-9830
		.467" /11.85mm			2203-C-9831
		.470" /11.95mm			2203-D-9832
		.474" /12.05mm			2203-E-9833
		.478" /12.15mm			2203-F-9834
		.482" /12.25mm			2203-G-9835
		.483" /12.28mm			2203-H-9836
		.484" /12.30mm			2203-J-9838
		.485" /12.33mm			2203-K-9839
.486" /12.35mm	2203-L-9840				
47	Cup - Drive Pinion Outer Bearing			1	65500
48	Cone - Drive Pinion Outer Bearing			1	65237
49	Washer - Drive Pinion			1	1229-G-4063
50	Nut - Drive Pinion			1	40-X-1145
51	Cover - Drive Pinion			1	3266-C-1095
52	Washer - Drive Pinion Cover			5	1229-K-1597
53	Capscrew - Drive Pinion Cover			5	MS-210020-1
54	Adjusting Rings - Diff. Bearing	Both sides	1628, 1648 carriers	2	2214-S-279
					3200-K-1857 (ABS)
		LH side	3200-L-1858 (ABS)	1	2214-B-1146
		RH side			2214-Z-1144
		LH side	3200-Z-1820,	1	2214-J-1128
		RH side	3200-V-1894		2214-G-1125
		Both sides	All other non-ABS	2	2214-G-1125
		Both sides	1628, 1648 carriers		A1-1228-B-600
55	Cups - Diff. bearing		1703, 1818, 1837 carriers		592A
					LH side
		RH side			592A

PARTS LISTED IN THIS CATALOG ARE NOT NECESSARILY MANUFACTURED BY THE ORIGINAL EQUIPMENT MANUFACTURER AND ANY REFERENCE TO THE TRADEMARKS OR PART NUMBERS OF OTHERS ARE FOR CROSS REFERENCE INFORMATIONAL PURPOSES ONLY. THE TRADEMARKS OF OTHERS REFERRED TO HEREIN ARE OWNED BY THEIR RESPECTIVE COMPANIES AND ARE NOT AFFILIATED IN ANY WAY WITH MIDWEST TRUCK & AUTO PARTS, INC.® MOTIVE GEAR® AND WORLD AMERICAN® ARE THE REGISTERED TRADEMARKS OF MIDWEST TRUCK & AUTO PARTS, INC.® USE OF THE ® IN CONNECTION WITH A MARK OF MIDWEST TRUCK & AUTO PARTS, INC.® INDICATES THAT THE MARK IS REGISTERED IN AT LEAST THE UNITED STATES. NO REPRESENTATION IS MADE WITH RESPECT TO THE SOURCE OF MANUFACTURE OF ANY PARTICULAR PART. © 2005, MIDWEST TRUCK & AUTO PARTS, INC.® ALL RIGHTS RESERVED.

ROCKWELL® WORLD AXLE

FORWARD CARRIERS OF TANDEM AXLES - 160, 161 AND 164 SERIES (Cont'd)

ITEM	DESCRIPTION	REMARKS	CARRIER	QTY	PART NUMBER
56	Cones - Diff. bearing	Both sides	1628, 1648 carriers	2	A1-1228-B-600
			1703, 1818, 1837 carriers		594A
		LH side	All others	1	52400
		RH side			594A
57	Capscrew - Main Diff. Case	Included in KIT 2426		12	41-X-1275
58	Washer - Main Diff. Case			12	1229-U-1503
59, 57, 58	Case Assembly - Main Diff.	Ratios - 3.07, 3.21, 3.42, 3.58, 3.73	3200-J-1648 Less Diff. Lock	Use 1 as req.	A10-3235-S-1813
		Ratios - 3.91, 4.10, 4.30, 4.56			A10-3235-F-1982
		Ratios - 4.89, 5.38, 5.63, 6.14, 6.43, 6.83, 7.17			A10-3235-H-1984
		Ratios - 3.07, 3.21, 3.42, 3.58, 3.73	3200-K-1701, 3200-W-1713, 3200-Y-1819, 3200-Z-1820, 3200-V-1894, 3200-W-1895, 3200-J-1908, 3200-K-1909, With Diff. Lock		A2-3235-C-2109
		Ratios - 3.91, 4.10, 4.30, 4.56			A2-3235-E-2111
		Ratios - 4.89, 5.38, 5.63, 6.14, 6.43, 6.83, 7.17			A2-3235-G-2113
		Ratios - 3.07, 3.21, 3.42, 3.58, 3.73	3200-K-1701, 3200-Z-1820, 3200-V-1894, 3200-K-1909, Less Diff. Lock		A5-3235-C-2109
		Ratios - 3.91, 4.10, 4.30, 4.56			A5-3525-E-2111
		Ratios - 4.89, 5.38, 5.63, 6.14, 6.43, 6.83, 7.17			A5-3235-G-2113
		Ratios - 3.07, 3.21, 3.42, 3.58, 3.73	3200-M-1703, 3200-X-1818, 3200-Q-1837, Less Diff. Lock		A-3235-C-2109
		Ratios - 3.91, 4.10, 4.30, 4.56			A-3235-E-2111
		Ratios - 4.89, 5.38, 5.63, 6.14, 6.43, 6.83, 7.17			A-3235-G-2113
		Ratios 3.07, 3.21, 3.42, 3.58, 3.73	3200-P-1628 With Diff. Lock		A12-3235-S-1813

PARTS LISTED IN THIS CATALOG ARE NOT NECESSARILY MANUFACTURED BY THE ORIGINAL EQUIPMENT MANUFACTURER AND ANY REFERENCE TO THE TRADEMARKS OR PART NUMBERS OF OTHERS ARE FOR CROSS REFERENCE INFORMATIONAL PURPOSES ONLY. THE TRADEMARKS OF OTHERS REFERRED TO HEREIN ARE OWNED BY THEIR RESPECTIVE COMPANIES AND ARE NOT AFFILIATED IN ANY WAY WITH MIDWEST TRUCK & AUTO PARTS, INC.® MOTIVE GEAR® AND WORLD AMERICAN® ARE THE REGISTERED TRADEMARKS OF MIDWEST TRUCK & AUTO PARTS, INC.® USE OF THE ® IN CONNECTION WITH A MARK OF MIDWEST TRUCK & AUTO PARTS, INC.® INDICATES THAT THE MARK IS REGISTERED IN AT LEAST THE UNITED STATES. NO REPRESENTATION IS MADE WITH RESPECT TO THE SOURCE OF MANUFACTURE OF ANY PARTICULAR PART. © 2005, MIDWEST TRUCK & AUTO PARTS, INC.® ALL RIGHTS RESERVED.

ROCKWELL® WORLD AXLE

FORWARD CARRIERS OF TANDEM AXLES - 160, 161 AND 164 SERIES (Cont'd)

ITEM	DESCRIPTION	REMARKS	CARRIER	QTY	PART NUMBER		
59, 57, 58 (cont'd)	Case Assembly - Main Diff.	Ratios - 3.91, 4.10, 4.30, 4.56	3200-P-1628 With Diff. Lock	Use 1 as req.	A12-3235-F-1982		
		Ratios - 4.89, 5.38, 5.63, 6.14, 6.43, 6.83, 7.17			A12-3235-H-1984		
59, 57, 58, 64, 65, 66, 67, 68	Case & Nest Assembly - Main Diff.	Ratios - 3.07, 3.21, 3.42, 3.58, 3.73,	3200-J-1648 Less Diff. Lock	Use 1 as req.	A11-3235-S-1813		
		Ratios - 3.91, 4.10, 4.30, 4.56			A11-3235-F-1982		
		Ratios - 4.89, 5.38, 5.63, 6.14, 6.43, 6.83, 7.17			A11-3235-H-1984		
		Ratios - 3.07, 3.21, 3.42, 3.58, 3.73	3200-K-1701, 3200-W-1713, 3200-Y-1819, 3200-Z-1820, 3200-V-1894, 3200-W-1895, 3200-J-1908, 3200-K-1909, With Diff. Lock		A3-3235-C-2109		
		Ratios - 3.91, 4.10, 4.30, 4.56			A3-3235-E-2111		
		Ratios - 4.89, 5.38, 5.63, 6.14, 6.43, 6.83, 7.17			A3-3235-G-2113		
		Ratios - 3.07, 3.21, 3.42, 3.58, 3.73	3200-K-1701, 3200-Z-1820, 3200-V-1894, 3200-K-1909, Less Diff. Lock		A6-3235-C-2109		
		Ratios - 3.91, 4.10, 4.30, 4.56			A6-3235-E-2111		
		Ratios - 4.89, 5.38, 5.63, 6.14, 6.43, 6.83, 7.17			A6-3235-G-2113		
		Ratios - 3.07, 3.21, 3.42, 3.58, 3.73	3200-M-1703, 3200-X-1818, 3200-Q-1837, Less Diff. Lock		A1-3235-C-2109		
		Ratios - 3.91, 4.10, 4.30, 4.56			A1-3235-E-2111		
		Ratios - 4.89, 5.38, 5.63, 6.14, 6.43, 6.83, 7.17			A1-3235-G-2113		
				Ratios - 3.07, 3.21, 3.42, 3.58, 3.73	3200-P-1628 With Diff. Lock		A13-3235-S-1813
				Ratios - 3.91, 4.10, 4.30, 4.56,			A13-3235-F-1982
				Ratios - 4.89, 5.38, 5.63, 6.14, 6.43, 6.83, 7.17			A13-3235-H-1984
59, 57, 58, 64, 65, 66, 67, 68, 173,174,	Case & Nest Assembly - Main Diff.	Ratios - 3.07, 3.21, 3.42, 3.58, 3.73	3200-K-1857, Internal ABS, Less Diff Lock Less pump	Use 1 as req.	A2-3235-R-2176		
		Ratios - 3.91, 4.10, 4.30, 4.56			A2-3235-S-2177		

PARTS LISTED IN THIS CATALOG ARE NOT NECESSARILY MANUFACTURED BY THE ORIGINAL EQUIPMENT MANUFACTURER AND ANY REFERENCE TO THE TRADEMARKS OR PART NUMBERS OF OTHERS ARE FOR CROSS REFERENCE INFORMATIONAL PURPOSES ONLY. THE TRADEMARKS OF OTHERS REFERRED TO HEREIN ARE OWNED BY THEIR RESPECTIVE COMPANIES AND ARE NOT AFFILIATED IN ANY WAY WITH MIDWEST TRUCK & AUTO PARTS, INC.® MOTIVE GEAR® AND WORLD AMERICAN® ARE THE REGISTERED TRADEMARKS OF MIDWEST TRUCK & AUTO PARTS, INC.® USE OF THE ® IN CONNECTION WITH A MARK OF MIDWEST TRUCK & AUTO PARTS, INC.® INDICATES THAT THE MARK IS REGISTERED IN AT LEAST THE UNITED STATES. NO REPRESENTATION IS MADE WITH RESPECT TO THE SOURCE OF MANUFACTURE OF ANY PARTICULAR PART. © 2005, MIDWEST TRUCK & AUTO PARTS, INC.® ALL RIGHTS RESERVED.

ROCKWELL® WORLD AXLE

FORWARD CARRIERS OF TANDEM AXLES - 160, 161 AND 164 SERIES (Cont'd)

ITEM	DESCRIPTION	REMARKS	CARRIER	QTY	PART NUMBER
175 59, 57, 58, 64, 65, 66, 67, 68, 173,174, 175 (cont'd)	Case & Nest Assembly - Main Diff.	Ratios - 4.89, 5.38, 5.63, 6.14, 6.83, 7.17	3200-K-1857, Internal ABS, Less Diff. Lock Less Pump	Use 1 as req.	A2-3235-T-2178
		Ratios - 3.07, 3.21, 3.42, 3.58, 3.73			3200-L-1858, Internal ABS, Less Diff. Lock With pump
		Ratios - 3.91, 4.10, 4.30, 4.56	A4-3235-S-2177		
		Ratios - 4.89, 5.38, 5.63, 6.14, 6.43, 6.83, 7.17	A4-3235-T-2178		
59, 57, 58, 68A	Case & NoSPIN Assembly - Main Diff.	Ratios - 3.07, 3.21, 3.42, 3.58, 3.73	3200-J-1648	Use 1 as req.	A14-3235-S-1813
		Ratios - 3.91, 4.10, 4.30, 4.56			A14-3235-F-1982
		Ratios - 4.89, 5.38, 5.63, 6.14, 6.43, 6.83, 7.17			A14-3235-H-1984
		Ratios - 3.07, 3.21, 3.42, 3.58, 3.73	3200-K-1701, 3200-Z-1820, 3200-V-1894, 3200-K-1909		A8-3235-C-2109
		Ratios - 3.91, 4.10, 4.30, 4.56			A8-3235-E-2111
		Ratios - 4.89, 5.38, 5.63, 6.14, 6.43, 6.83, 7.17			A8-3235-G-2113
		Ratios - 3.07, 3.21, 3.42, 3.58, 3.73	3200-M-1703, 3200-X-1818, 3200-Q-1837		A7-3235-C-2109
		Ratios - 3.91, 4.10, 4.30, 4.56			A7-3235-E-2111
		Ratios - 4.89, 5.38, 5.63, 6.14, 6.43, 6.83, 7.17			A7-3235-G-2113
		59, 57, 58, 173, 174, 175	Case Assembly - Main Diff. (ABS ready)		Ratios - 3.07, 3.21, 3.42, 3.58, 3.73
Ratios - 3.91, 4.10, 4.30, 4.56	A1-3235-S-2177				
Ratios - 4.89, 5.38, 5.63, 6.14, 6.43, 6.83, 7.17	A1-3235-T-2178				
Ratios - 3.07, 3.21, 3.42, 3.58, 3.73	3200-L-1858, Internal ABS, Less Diff. Lock, With pump			A5-3235-R-2176	
Ratios - 3.91, 4.10, 4.30, 4.56				A5-3235-S-2177	

PARTS LISTED IN THIS CATALOG ARE NOT NECESSARILY MANUFACTURED BY THE ORIGINAL EQUIPMENT MANUFACTURER AND ANY REFERENCE TO THE TRADEMARKS OR PART NUMBERS OF OTHERS ARE FOR CROSS REFERENCE INFORMATIONAL PURPOSES ONLY. THE TRADEMARKS OF OTHERS REFERRED TO HEREIN ARE OWNED BY THEIR RESPECTIVE COMPANIES AND ARE NOT AFFILIATED IN ANY WAY WITH MIDWEST TRUCK & AUTO PARTS, INC.® MOTIVE GEAR® AND WORLD AMERICAN® ARE THE REGISTERED TRADEMARKS OF MIDWEST TRUCK & AUTO PARTS, INC.® USE OF THE ® IN CONNECTION WITH A MARK OF MIDWEST TRUCK & AUTO PARTS, INC.® INDICATES THAT THE MARK IS REGISTERED IN AT LEAST THE UNITED STATES. NO REPRESENTATION IS MADE WITH RESPECT TO THE SOURCE OF MANUFACTURE OF ANY PARTICULAR PART. © 2005, MIDWEST TRUCK & AUTO PARTS, INC.® ALL RIGHTS RESERVED.

ROCKWELL® WORLD AXLE

FORWARD CARRIERS OF TANDEM AXLES - 160, 161 AND 164 SERIES (Cont'd)

ITEM	DESCRIPTION	REMARKS	CARRIER	QTY	PART NUMBER
59, 57, 58, 173, 174, 175 (cont'd)	Case Assembly - Main Diff. (ABS ready)	Ratios - 4.89, 5.38, 5.63, 6.14, 6.43, 6.83 7.17	3200-L-1858, Internal ABS, Less Diff. Lock, with pump		A3-3235-T-2178
60	Bolt - Gear to Diff. Case	Included in KIT 2426		12	41-X-1276
61	Washer - Diff. Bearing Cap			4	42-X-1024
62	Capscrew - Diff. Bearing Cap			4	41-X-1018
63	Pin - Adjusting ring lock		ABS carriers	2	19-X-1087
			All others		1246-P-1134
64	Thrust Washer - Side gear	Included in KIT 2318 w/Spider, KIT 2341 less Spider		2	1229-L-3002
65	Side gear - Diff.			2	2234-C-1069
66	Spider - Diff (cross)			1	3278-W-335
67	Gear - Diff. Pinion			4	2233-M-1001
68	Thrust Washer - Diff. Pinion			4	1229-K-3001
68A	No-SPIN Assembly			1	A-3230-C-1043
69	Washer - Gear to Diff. Case	Included in KIT 2426		12	1229-U-1503
70	Nut - Gear to Diff. Case			12	40-X-1182

THE FOLLOWING PARTS ARE FOR MAIN DIFFERENTIAL LOCK

ITEM	DESCRIPTION	REMARKS	CARRIER	QTY	PART NUMBER
71	Sensor/switch - Main Diff. Lock	Included in KIT 4455		1	3237-W-1167
71A	Clip - sensor/switch			1	2257-M-1235
72	Lock nut - sensor/switch		Used on carriers with 3266-F-1020 air cyl. cover prior to 11/93	1	1227-P-1056
73	Spring - Main Diff. Lock		After 11/93	1	2258-N-1262
			Prior to 11/93		2258-L-714
74	Roll pin - spring retaining		After 11/93	0	Not used
			Prior to 11/93	1	43-X-1006
75	Shift Shaft - Main diff. lock		3200-P-1628	1	2244-Y-51
			After 11/93		2244-V-1114
			All others prior to 11/93		2244-L-1026
76	Washer - Piston		3200-P-1628	1	42-X-1027
			All others	0	Not used
77	Piston - Main Diff. Lock		After 11/93	1	2230-T-1190
			Prior to 11/93		2230-N-170
78	O-Ring - Piston		After 11/93	1	5-X-1198
			Prior to 11/93		5-X-1153

PARTS LISTED IN THIS CATALOG ARE NOT NECESSARILY MANUFACTURED BY THE ORIGINAL EQUIPMENT MANUFACTURER AND ANY REFERENCE TO THE TRADEMARKS OR PART NUMBERS OF OTHERS ARE FOR CROSS REFERENCE INFORMATIONAL PURPOSES ONLY. THE TRADEMARKS OF OTHERS REFERRED TO HEREIN ARE OWNED BY THEIR RESPECTIVE COMPANIES AND ARE NOT AFFILIATED IN ANY WAY WITH MIDWEST TRUCK & AUTO PARTS, INC.® MOTIVE GEAR® AND WORLD AMERICAN® ARE THE REGISTERED TRADEMARKS OF MIDWEST TRUCK & AUTO PARTS, INC.® USE OF THE ® IN CONNECTION WITH A MARK OF MIDWEST TRUCK & AUTO PARTS, INC.® INDICATES THAT THE MARK IS REGISTERED IN AT LEAST THE UNITED STATES. NO REPRESENTATION IS MADE WITH RESPECT TO THE SOURCE OF MANUFACTURE OF ANY PARTICULAR PART. © 2005, MIDWEST TRUCK & AUTO PARTS, INC.® ALL RIGHTS RESERVED.

ROCKWELL® WORLD AXLE

FORWARD CARRIERS OF TANDEM AXLES - 160, 161 AND 164 SERIES (Cont'd)

ITEM	DESCRIPTION	REMARKS	CARRIER	QTY	PART NUMBER
79	Tube - Air cylinder		After 11/93	0	Not used
			Prior to 11/93	1	3196-F-32
80	Gasket - Air Cylinder Cover		Used prior to 11/93	1	2208-H-944
81	Capscrew - manual engaging		After 11/93	1	41-X-1368
			Prior to 11/93		41-X-1333
81A	O-Ring			1	5-X-521
82	Cover - Air Cylinder	Screw-in style	After 11/93	1	3261-A-1067
		Bolt-on style	Used prior to 11/93		3266-F-1020
83	Plug - Air Cylinder Cover		Used prior to 11/93	1	MS-210016-1
84	Gasket - Plug		Used prior to 11/93	1	2208-L-1000
85	Capscrew - Air Cylinder Cover		3200-P-1628	4	41-X-1364
			After 11/93	0	Not used
			All others	4	MS-206050-1
86	Washer - Air Cylinder Cover		Used prior to 11/93	4	MWA-506
87	Clutch Collar - Main Diff. Lock		3200-P-1628	1	3107-F-1020
			All others		3107-B-1094
88	Shift Fork - Main Diff. Lock	Three pc. design (1)	3200-Z-1560	1	3296-B-184
		One pc. design	After 11/93		3296-B-1172
			Prior to 11/93		3296-Y-1169 (1)
89	Pin - Shift Fork	One pc. design		0	Not used
		Three pc. design		2	43-X-1007

THE FOLLOWING PARTS ARE FOR OIL PUMP

ITEM	DESCRIPTION	REMARKS	CARRIER	QTY	PART NUMBER
90	Shield - Filter			1	3280-Z-8398
91	Plug - Oil Pressure Relief Valve	Eliminated on carriers		1	1250-N-1080
92	Washer - Plug	Built after 5/97		1	1229-F-4062
93	Spring - Oil Pressure Relief Valve			1	2258-Z-1118
94	Pressure Relief Valve - Oil			1	2297-U-5273
95	Dowel - Input cage to oil pump	No longer used		2	1246-M-1131
96	O-Ring - Oil Pump			1	5-X-1034
97	Oil Pump Assembly		All others	1	A-3303-P-1030
			For old style A1-3297-H-1022 Input Shaft		KIT 2624
98	Washer - Oil Pump			6	1229-E-1669
99	Capscrew - Oil Pump			6	MS-208045-1
100	Oil Filter			1	3280-V-8394
101	Adaptor - Oil Filter			1	2297-Z-5278
102	Screen & Plug Assembly - Oil filter			1	A-2297-D-5334

(1) - Prior to 11/92 all carriers (except 3200-Z-1560) used the three pc. design fork (3296-R-1084) which was replaced by 3296-Y-1169 in 11/92.

PARTS LISTED IN THIS CATALOG ARE NOT NECESSARILY MANUFACTURED BY THE ORIGINAL EQUIPMENT MANUFACTURER AND ANY REFERENCE TO THE TRADEMARKS OR PART NUMBERS OF OTHERS ARE FOR CROSS REFERENCE INFORMATIONAL PURPOSES ONLY. THE TRADEMARKS OF OTHERS REFERRED TO HEREIN ARE OWNED BY THEIR RESPECTIVE COMPANIES AND ARE NOT AFFILIATED IN ANY WAY WITH MIDWEST TRUCK & AUTO PARTS, INC.® MOTIVE GEAR® AND WORLD AMERICAN® ARE THE REGISTERED TRADEMARKS OF MIDWEST TRUCK & AUTO PARTS, INC.® USE OF THE ® IN CONNECTION WITH A MARK OF MIDWEST TRUCK & AUTO PARTS, INC.® INDICATES THAT THE MARK IS REGISTERED IN AT LEAST THE UNITED STATES. NO REPRESENTATION IS MADE WITH RESPECT TO THE SOURCE OF MANUFACTURE OF ANY PARTICULAR PART. © 2005, MIDWEST TRUCK & AUTO PARTS, INC.® ALL RIGHTS RESERVED.

ROCKWELL® WORLD AXLE

FORWARD CARRIERS OF TANDEM AXLES - 160, 161 AND 164 SERIES (Cont'd)

ITEM	DESCRIPTION	REMARKS	CARRIER	QTY	PART NUMBER
115	Nut - Drive Piston	Included in KIT 2638		1	40-X-1233
115A	Washer - Pinion Nut			1	1229-W-4521
116, 117	Input Yoke Assembly			1	CALL YOUR SALES REP
117	Deflector - Input Yoke			1	DEFR56-7
118	Oil Seal Assembly - Rear Pinion			1	4544V
119	Cone - Drive Pinion Outer Bearing			1	HM-813843
120	Cup - Drive Pinion Outer Bearing			1	HM-813810
121	Capscrew - Pinion Bearing Cage			8	MS-212045-1
122	Washer - Pinion Bearing Cage			8	MWA-512
123	Pinion Bearing Cage & Cups Assy			1	A-3226-R-1006
124	Shims - Pinion	Included in KIT 1592		Use as req.	2803-Y-2755 2203-Z-2756 2803-A-2757 2803-B-2758
125	Spacers - Pinion bearing	Included in KIT 1593		Use 2 as req.	2803-D-2500 2803-E-2501 2803-F-2502 2803-N-2510 2803-G-2503 2803-H-2504 2803-J-2506 2803-K-2507 2803-L-2508 2803-M-2509
126	Cup - Drive Pinion Inner Bearing			1	9220
127	Cone - Drive Pinion Inner Bearing			1	9278
128, 115	Drive Gear, Pinion & Nut Assy	2.80 Ratio		Use 1 as req.	A-41572-1
		2.93 Ratio			A-41574-1
		3.07 Ratio			A-41712-1 (2)
		3.21 Ratio			A-39898-5 (3)
		3.42 Ratio			A-41634-1 (2)
		3.58 Ratio			A-39900-5 (3)
		3.73 Ratio			A-41636-1 (2)
					A-39902-5 (3)
					A-41638-1 (2)
					A-39904-5 (3)
					A-41640-1 (2)
					A-39906-5 (3)
					A-41642-1 (2)

- (2) **Coach quality gearing.**
 (3) **For 3200-C-1511, 3200-Z-1560, 3200-T-1658 & 3200-V-1660 use -6 gear sets, except for 6.83 ratio use -2 gear set.**
 (4) **Use KIT 2468 + Ratio to upgrade the 3200-Z-1560 carriers. Use KIT 2655 + Ratio to upgrade the 3200-C-1511 carriers.**

PARTS LISTED IN THIS CATALOG ARE NOT NECESSARILY MANUFACTURED BY THE ORIGINAL EQUIPMENT MANUFACTURER AND ANY REFERENCE TO THE TRADEMARKS OR PART NUMBERS OF OTHERS ARE FOR CROSS REFERENCE INFORMATIONAL PURPOSES ONLY. THE TRADEMARKS OF OTHERS REFERRED TO HEREIN ARE OWNED BY THEIR RESPECTIVE COMPANIES AND ARE NOT AFFILIATED IN ANY WAY WITH MIDWEST TRUCK & AUTO PARTS, INC.® MOTIVE GEAR® AND WORLD AMERICAN® ARE THE REGISTERED TRADEMARKS OF MIDWEST TRUCK & AUTO PARTS, INC.® USE OF THE ® IN CONNECTION WITH A MARK OF MIDWEST TRUCK & AUTO PARTS, INC.® INDICATES THAT THE MARK IS REGISTERED IN AT LEAST THE UNITED STATES. NO REPRESENTATION IS MADE WITH RESPECT TO THE SOURCE OF MANUFACTURE OF ANY PARTICULAR PART. © 2005, MIDWEST TRUCK & AUTO PARTS, INC.® ALL RIGHTS RESERVED.

ROCKWELL® WORLD AXLE

FORWARD CARRIERS OF TANDEM AXLES - 160, 161 AND 164 SERIES (Cont'd)

ITEM	DESCRIPTION	REMARKS	CARRIER	QTY	PART NUMBER	
128, 115 (cont'd)		3.91 Ratio			A-39884-5-(4)	
		4.10 Ratio			A-39886-5 (4)	
		4.30 Ratio			A-41644-1 (2)	
		4.56 Ratio			A-39888-5 (4)	
		4.89 Ratio			A-41646-1 (2)	
		5.38 Ratio			A-39890-5 (4)	
		5.63 Ratio			A-41612-1 (2)	
		6.14 Ratio			A-40024-5 (3)	
		6.43 Ratio			A-41614-1 (2)	
		6.83 Ratio			A-40104-5 (3)	
		7.17 Ratio			A-41862-1 (2)	
					A-40106-5 (3)	
				A-40110-5 (3)		
				A-40116-5 (3)		
				A-41066-1 (3)		
				A-40122-5 (3)		
129	Spigot Bearing - Drive Pinion	One pc. bearing	Use for carriers that have been upgraded to snap ring gear sets only	1	1228-Y-1221	
		Two pc. bearing	Use w/original non-snap ring design gear sets		A1-1228-P-1004	
		One pc. bearing	Use with new snap ring design		RU9008UM	
129A	Snap Ring - Spigot Bearing	Use with 1228-B-1042 and 1228-Y-1221		1	46-X-1029	
130, 131, & 132	Differential carrier & cap assy	Less differential lock	With thrust screw	3200-A-1821	1	A2-3200-A-1821
			Ratios - 3.07, 3.21, 3.42, 3.58, 3.73	3200-C-15111 Alum.		KIT 2657
			Ratios - 3.91, 4.10, 4.30, 4.56			KIT 2657A
			Ratios - 4.89, 5.38, 5.63, 6.14, 6.43, 7.17			KIT 2657B

- (2) Coach quality gearing.
- (3) For 3200-C-1511, 3200-Z-1560, 3200-T-1658 & 3200-V-1660 use -6 gear sets, except for 6.83 ratio use -2 gear set.
- (4) Use KIT 2468 + Ratio to upgrade the 3200-Z-1560 carriers. Use KIT 2655 + Ratio to upgrade the 3200-C-1511 carriers.

PARTS LISTED IN THIS CATALOG ARE NOT NECESSARILY MANUFACTURED BY THE ORIGINAL EQUIPMENT MANUFACTURER AND ANY REFERENCE TO THE TRADEMARKS OR PART NUMBERS OF OTHERS ARE FOR CROSS REFERENCE INFORMATIONAL PURPOSES ONLY. THE TRADEMARKS OF OTHERS REFERRED TO HEREIN ARE OWNED BY THEIR RESPECTIVE COMPANIES AND ARE NOT AFFILIATED IN ANY WAY WITH MIDWEST TRUCK & AUTO PARTS, INC.® MOTIVE GEAR® AND WORLD AMERICAN® ARE THE REGISTERED TRADEMARKS OF MIDWEST TRUCK & AUTO PARTS, INC.® USE OF THE ® IN CONNECTION WITH A MARK OF MIDWEST TRUCK & AUTO PARTS, INC.® INDICATES THAT THE MARK IS REGISTERED IN AT LEAST THE UNITED STATES. NO REPRESENTATION IS MADE WITH RESPECT TO THE SOURCE OF MANUFACTURE OF ANY PARTICULAR PART. © 2005, MIDWEST TRUCK & AUTO PARTS, INC.® ALL RIGHTS RESERVED.

ROCKWELL® WORLD AXLE
FORWARD CARRIERS OF TANDEM AXLES - 160, 161 AND 164 SERIES (Cont'd)

ITEM	DESCRIPTION	REMARKS	CARRIER	QTY	PART NUMBER			
130, 131 & 132	Differential carrier & cap assy	Less differential Lock	Aluminum	3200-E-1825	Use 1 as req.	KIT 2767		
				3200-E-1929		A2-3200-E-1929		
			Aluminum, ABS	3200-H-1854		A2-3200-H-1854		
			Internal ABS	3200-J-1856		A2-3200-J-1856		
			New bearings	3200-P-1706		A2-3200-P-1706		
			Aluminum	3200-V-1712		KIT 2634		
				3200-Y-1897		A2-3200-Y-1897		
			Ratios - 3.07, 3.21, 3.42, 3.58, 3.73	3200-Z-1560 Orig. design, 3200-T-1658 Wide leg design		KIT 2642		
			Ratios 3.91, 4.10 4.30, 4.56			KIT 2642A		
			Ratios - 4.89, 5.38, 5.63, 6.14, 6.43, 6.83, 7.17			KIT 2642B		
			With differential			Ratios - 3.07, 3.21, 3.42, 3.58, 3.73	3200-C-1511 Alum.	KIT 2658
						Ratios - 3.91, 4.10, 4.30, 4.56		KIT 2658A
						Ratios - 4.89, 5.38, 5.63, 6.14, 6.43, 6.83, 7.17		KIT 2658B
						Revised diff. lock	3200-C-1823	KIT 2762
	Malleable w/screw-in main diff. shifter	3200-D-1928			A2-3200-D-1928			
	Aluminum	3200-E-1825			KIT 2765			
	Aluminum w/screw-in main diff. shifter	3200-E-1929			A2-3200-E-1929			
	New bearings	3200-R-1708			KIT 2659			
	Malleable w/screw-in main diff. shifter	3200-T-1892			A2-3200-T-1892			
	Aluminum	3200-V-1712			KIT 2634			
	Aluminum w/screw-in main diff. shifter	3200-Y-1897	A2-3200-Y-1897					
	Ratios - 3.07, 3.21, 3.42, 3.58, 3.73	3200-Z-1560 Orig. design 3200-V-1660 Wide leg design	KIT 2643					

PARTS LISTED IN THIS CATALOG ARE NOT NECESSARILY MANUFACTURED BY THE ORIGINAL EQUIPMENT MANUFACTURER AND ANY REFERENCE TO THE TRADEMARKS OR PART NUMBERS OF OTHERS ARE FOR CROSS REFERENCE INFORMATIONAL PURPOSES ONLY. THE TRADEMARKS OF OTHERS REFERRED TO HEREIN ARE OWNED BY THEIR RESPECTIVE COMPANIES AND ARE NOT AFFILIATED IN ANY WAY WITH MIDWEST TRUCK & AUTO PARTS, INC.® MOTIVE GEAR® AND WORLD AMERICAN® ARE THE REGISTERED TRADEMARKS OF MIDWEST TRUCK & AUTO PARTS, INC.® USE OF THE ® IN CONNECTION WITH A MARK OF MIDWEST TRUCK & AUTO PARTS, INC.® INDICATES THAT THE MARK IS REGISTERED IN AT LEAST THE UNITED STATES. NO REPRESENTATION IS MADE WITH RESPECT TO THE SOURCE OF MANUFACTURE OF ANY PARTICULAR PART. © 2005, MIDWEST TRUCK & AUTO PARTS, INC.® ALL RIGHTS RESERVED.

ROCKWELL® WORLD AXLE

FORWARD CARRIERS OF TANDEM AXLES - 160, 161 AND 164 SERIES (Cont'd)

ITEM	DESCRIPTION	REMARKS	CARRIER	QTY	PART NUMBER
130, 131 & 132 (cont'd)		Ratios 3.91, 4.10, 4.30, 4.56	3200-Z-1560 Orig. design	1	KIT 2643A
		Ratios - 4.89, 5.38, 5.63, 6.14, 6.43, 6.83, 7.17	3200-V-1660 Wide leg design		KIT 2643B
130A	Thrust Screw (not shown)			1	15-X-1167
130B	Jam Nut (not shown)			1	1227-D-472
131	Washer - Diff. Bearing Cap			4	42-X-1024
132	Capscrew - Diff. Bearing Cap			4	41-X-1018
133	Adjusting Ring - Diff. Bearing	LH & RH	1511, 1560, 1658, 1660	2	2214-S-279
		LH	1708, 1712, 1823, 1825, 1892, 1897, 1928	1	2214-G-1125
		RH			2214-J-1128
		LH	3200-H-1854(ABS)		2214-B-1146
		RH			2214-Z-1144
		LH & RH	3200-J-1856(ABS)	2	2214-Z-1144
134	Pin - Adjusting Ring		3200-P-1706 ABS carriers	2	2214-G-1125 19-X-1087
			All others		1246-P-1134
			Diff. lock carriers	1	1246-P-1134
135	Cup - Differential Bearing	LH & RH	1511, 1560, 1658 1660	2	32021X
		LH	1708, 1712, 1823, 1825, 1892, 1897, 1928, 1929,	1	592A
		RH			52618
		LH & RH	3200-P-1706	2	592A
135A	Adhesive - Diff. Bearing Cup			1	2297-T-4180
136	Cone - Differential Bearing	LH & RH	1511, 1560, 1658, 1660	2	32021X
		LH	1708, 1712, 1823, 1825, 1892, 1897, 1928, 1929	1	594A
		RH			52400
		LH & RH	3200-P-1706	2	594A
137	Nut - Diff. case to gear	Included in KIT 2426		12	40-X-1182
138	Washer - Diff. case to gear			12	1229-U-1503
139	Bolt - Diff. case to gear			12	41-X-1276
140 thru 147	Case & Nest Assy - Main Diff.	Ratios - 3.07, 3.21, 3.42, 3.58, 3.73	3200-C-1511 Aluminum Less Diff. Lock	Use 1 as req.	A11-3235-S-1813
		Ratios - 3.91, 4.10, 4.30, 4.56			A11-3235-F-1982 (6) A11-3235-S-1813 (5)

(5) For use with carriers built prior to 9/1/88.

(6) For use with carriers produced after 9/1/88 or have been retro-fitted with KIT 2468 or KIT 2655 only.

PARTS LISTED IN THIS CATALOG ARE NOT NECESSARILY MANUFACTURED BY THE ORIGINAL EQUIPMENT MANUFACTURER AND ANY REFERENCE TO THE TRADEMARKS OR PART NUMBERS OF OTHERS ARE FOR CROSS REFERENCE INFORMATIONAL PURPOSES ONLY. THE TRADEMARKS OF OTHERS REFERRED TO HEREIN ARE OWNED BY THEIR RESPECTIVE COMPANIES AND ARE NOT AFFILIATED IN ANY WAY WITH MIDWEST TRUCK & AUTO PARTS, INC.® MOTIVE GEAR® AND WORLD AMERICAN® ARE THE REGISTERED TRADEMARKS OF MIDWEST TRUCK & AUTO PARTS, INC.® USE OF THE ® IN CONNECTION WITH A MARK OF MIDWEST TRUCK & AUTO PARTS, INC.® INDICATES THAT THE MARK IS REGISTERED IN AT LEAST THE UNITED STATES. NO REPRESENTATION IS MADE WITH RESPECT TO THE SOURCE OF MANUFACTURE OF ANY PARTICULAR PART. © 2005, MIDWEST TRUCK & AUTO PARTS, INC.® ALL RIGHTS RESERVED.

ROCKWELL® WORLD AXLE

FORWARD CARRIERS OF TANDEM AXLES - 160, 161 AND 164 SERIES (Cont'd)

ITEM	DESCRIPTION	REMARKS	CARRIER	QTY	PART NUMBER	
140 thru 147 (cont'd)	Case & Nest Assy - Main Diff.	Ratios - 4.89, 5.38, 5.63, 6.14, 6.43, 6.83 7.17		Use 1 as req.	A11-3235-H-1984	
		Ratios - 3.07, 3.21, 3.42, 3.58, 3.73	3200-C-1511 Aluminum With Diff. Lock		A13-3235-S-1813	
		Ratios - 3.91, 4.10, 4.30, 4.56			A13-3235-F-1982 (6)	
					A13-3235-S-1813 (5)	
					A13-3235-H-1984	
		Ratios - 4.89, 5.38, 5.63, 6.14, 6.43, 6.83, 7.17				
		Ratios - 2.80, 2.93	3200-P-1706, 3200-A-1821, Less Diff. Lock		A1-3235-R-2202	
		Ratios - 3.07, 3.21, 3.42, 3.58, 3.73			A1-3235-C-2109	
		Ratios - 3.91, 4.10, 4.30, 4.56			A1-3235-E-2111	
		Ratios - 4.89, 5.38, 5.63, 6.14, 6.43, 6.83, 7.17			A1-3235-G-2113	
		Ratios - 2.80, 2.93	3200-R-1708, 3200-V-1712 Alum. 3200-C-1823, 3200-E-1825 Alum. 3200-T-1892, 3200-Y-1897 Alum. 3200-D-1928, 3200-E-1929 Alum. With Diff. Lock		Use 1 as req.	A3-3235-R-2202
		Ratios - 3.07, 3.21, 3.42, 3.58, 3.73	3200-R-1708, 3200-V-1712 Alum. 3200-C-1823, 3200-E-1825 Alum. 3200-T-1892, 3200-Y-1897 Alum. 3200-D-1928, 3200-E-1929 Alum. With Diff. Lock			A3-3235-C-2109
		Ratios - 3.91, 4.10, 4.30, 4.56				A3-3235-E-2111
		Ratios - 4.89, 5.38, 5.63, 6.14, 6.43, 6.83, 7.17				A3-3235-G-2113
		Ratios - 3.07, 3.21, 3.42, 3.58, 3.73	3200-T-1658 Less Diff. Lock			A11-3235-S-1813
		Ratios - 3.91, 4.10, 4.30, 4.56				A11-3235-F-1982
Ratios - 4.89, 5.38, 5.63, 6.14, 6.43, 6.83, 7.17		A11-3235-H-1984				

(5) For use with carriers built prior to 9/1/88.

(6) For use with carriers produced after 9/1/88 or have been retro-fitted with KIT 2468 or KIT 2655 only.

PARTS LISTED IN THIS CATALOG ARE NOT NECESSARILY MANUFACTURED BY THE ORIGINAL EQUIPMENT MANUFACTURER AND ANY REFERENCE TO THE TRADEMARKS OR PART NUMBERS OF OTHERS ARE FOR CROSS REFERENCE INFORMATIONAL PURPOSES ONLY. THE TRADEMARKS OF OTHERS REFERRED TO HEREIN ARE OWNED BY THEIR RESPECTIVE COMPANIES AND ARE NOT AFFILIATED IN ANY WAY WITH MIDWEST TRUCK & AUTO PARTS, INC.® MOTIVE GEAR® AND WORLD AMERICAN® ARE THE REGISTERED TRADEMARKS OF MIDWEST TRUCK & AUTO PARTS, INC.® USE OF THE ® IN CONNECTION WITH A MARK OF MIDWEST TRUCK & AUTO PARTS, INC.® INDICATES THAT THE MARK IS REGISTERED IN AT LEAST THE UNITED STATES. NO REPRESENTATION IS MADE WITH RESPECT TO THE SOURCE OF MANUFACTURE OF ANY PARTICULAR PART. © 2005, MIDWEST TRUCK & AUTO PARTS, INC.® ALL RIGHTS RESERVED.

ROCKWELL® WORLD AXLE

FORWARD CARRIERS OF TANDEM AXLES - 160, 161 AND 164 SERIES (Cont'd)

ITEM	DESCRIPTION	REMARKS	CARRIER	QTY	PART NUMBER			
140 thru 147	Case & Nest Assy - Main Diff.	Ratios - 3.07, 3.21, 3.42, 3.58, 3.73	3200-V-1660 With Diff. Lock	Use 1 as req.	A13-3235-S-1813			
		Ratios - 3.91, 4.10, 4.30, 4.56			A13-3235-F-1982			
		Ratios - 4.89, 5.38, 5.63, 6.14, 6.43, 6.83, 7.17			A13-3235-H-1984			
		Ratios - 3.07, 3.21, 3.42, 3.58, 3.73	3200-V-1712, 3200-E-1825, 3200-Y-1897, 3200-E-1929, Aluminum, Less Diff. Lock		A6-3235-C-2109			
		Ratios - 3.91, 4.10, 4.30, 4.56			A6-3235-E-2111			
		Ratios - 4.89, 5.38, 5.63, 6.14, 6.43, 6.83, 7.17			A6-3235-G-2113			
		Ratios - 3.07, 3.21, 3.42, 3.58, 3.73	3200-Z-1560 With or without Diff. Lock		A3-3235-S-1813			
		Ratios - 3.91, 4.10, 4.30, 4.56			A3-3235-F-1982 (6)			
		Ratios - 4.89, 5.38, 5.63, 6.14, 6.43, 6.83, 7.17			A3-3235-S-1813 (5)			
		140 thru 147, 173, 174, 175	Case & Nest Assy - Main Diff.		Ratios 3.07, 3.21, 3.42, 3.58, 3.73	3200-H-1854, Internal ABS, Less diff. lock, Aluminum	Use 1 as req.	A4-3235-R-2176
Ratios - 3.91, 4.10, 4.30, 4.56	A4-3235-S-2177							
Ratios - 4.89, 5.38, 5.63, 6.14, 6.43, 6.83, 7.17	A4-3235-T-2178							
Ratios - 3.07, 3.21, 3.42, 3.58, 3.73	3200-J-1856, Internal ABS, Less Diff. Lock, Malleable Iron			A2-3235-R-2176				
Ratios - 3.91, 4.10, 4.30, 4.56				A2-3235-S-2177				
Ratios - 4.89, 5.38, 5.63, 6.14, 6.43, 6.83, 7.17				A2-3235-T-2178				
140, 142A, 146, 147	Case & NoSPIN Assy - Main Diff.			Ratios - 3.07, 3.21, 3.42, 3.58, 3.73	3200-C-1511 Aluminum Less Diff. Lock	Use 1 as req.		A14-3235-S-1813
				Ratios - 3.91, 4.10, 4.30, 4.56				A14-3235-F-1982 (6) A14-3235-S-1813 (5)

(5) For use with carriers built prior to 9/1/88.

(6) For use with carriers produced after 9/1/88 or have been retro-fitted with KIT 2468 or KIT 2655 only.

PARTS LISTED IN THIS CATALOG ARE NOT NECESSARILY MANUFACTURED BY THE ORIGINAL EQUIPMENT MANUFACTURER AND ANY REFERENCE TO THE TRADEMARKS OR PART NUMBERS OF OTHERS ARE FOR CROSS REFERENCE INFORMATIONAL PURPOSES ONLY. THE TRADEMARKS OF OTHERS REFERRED TO HEREIN ARE OWNED BY THEIR RESPECTIVE COMPANIES AND ARE NOT AFFILIATED IN ANY WAY WITH MIDWEST TRUCK & AUTO PARTS, INC.® MOTIVE GEAR® AND WORLD AMERICAN® ARE THE REGISTERED TRADEMARKS OF MIDWEST TRUCK & AUTO PARTS, INC.® USE OF THE ® IN CONNECTION WITH A MARK OF MIDWEST TRUCK & AUTO PARTS, INC.® INDICATES THAT THE MARK IS REGISTERED IN AT LEAST THE UNITED STATES. NO REPRESENTATION IS MADE WITH RESPECT TO THE SOURCE OF MANUFACTURE OF ANY PARTICULAR PART. © 2005, MIDWEST TRUCK & AUTO PARTS, INC.® ALL RIGHTS RESERVED.

ROCKWELL® WORLD AXLE

FORWARD CARRIERS OF TANDEM AXLES - 160, 161 AND 164 SERIES (Cont'd)

ITEM	DESCRIPTION	REMARKS	CARRIER	QTY	PART NUMBER
140, 142A, 146, 147	Case & NoSPIN Assy - Main Diff.	Ratios - 4.89, 5.38, 5.63, 6.14, 6.43, 6.83, 7.17	3200-C-1511 Aluminum	Use 1 as req.	A14-3235-H-1984
		Ratios - 3.07, 3.21, 3.42, 3.58, 3.73	3200-P-1706 Less Diff. Lock		A7-3235-C-2109
		Ratios - 3.91, 4.10, 4.30, 4.56			A7-3235-E-2111
		Ratios - 4.89, 5.38, 5.63, 6.14, 6.43, 6.83, 7.17			A7-3235-G-2113
		Ratios - 3.07, 3.21, 3.42, 3.58, 3.73	3200-T-1658 Less Diff. Lock		A14-3235-S-1813
		Ratios - 3.91, 4.10, 4.30, 4.56			A14-3235-F-1982
		Ratios - 4.89, 5.38, 5.63, 6.14, 6.43, 6.83, 7.17			A14-3235-H-1984
		Ratios - 3.07, 3.21, 3.42, 3.58, 3.73	3200-V-1712, 3200-E-1825, 3200-Y-1897, Aluminum Less Diff. Lock		A8-3235-C-2109
		Ratios - 3.91, 4.10, 4.30, 4.56			A8-3235-E-2111
		Ratios - 4.89, 5.38, 5.63, 6.14, 6.43, 6.83, 7.17			A8-3235-G-2113
140, 146 & 147	Case Assy - Main Diff.	Ratios - 3.07, 3.21, 3.42, 3.58, 3.73	3200-C-1511 Aluminum Less Diff. Lock	Use 1 as req.	A10-3235-S-1813
		Ratios - 3.91, 4.10, 4.30, 4.56			A10-3235-F-1982 (6)
		Ratios - 4.89, 5.38, 5.63, 6.14, 6.43, 6.83, 7.17			A10-3235-S-1813(5) A10-3235-H-1984
		Ratios - 3.07, 3.21, 3.42, 3.58, 3.73	3200-C-1511 Aluminum With Diff. Lock		A12-3235-S-1813
		Ratios - 3.91, 4.10, 4.30, 4.56			A12-3235-F-1982 (6) A12-3235-S-1813 (5)
		Ratios - 4.89, 5.38, 5.63, 6.14, 6.43, 6.83, 7.17			A12-3235-H-1984
		Ratios - 2.80, 2.93	3200-P-1706, 3200-A-1821, Less Diff. Lock		A-3235-R-2202
		Ratios - 3.07, 3.21, 3.42, 3.58, 3.73			A-3235-C-2109

(5) For use with carriers built prior to 9/1/88.

(6) For use with carriers produced after 9/1/88 or have been retro-fitted with KIT 2468 or KIT 2655 only.

PARTS LISTED IN THIS CATALOG ARE NOT NECESSARILY MANUFACTURED BY THE ORIGINAL EQUIPMENT MANUFACTURER AND ANY REFERENCE TO THE TRADEMARKS OR PART NUMBERS OF OTHERS ARE FOR CROSS REFERENCE INFORMATIONAL PURPOSES ONLY. THE TRADEMARKS OF OTHERS REFERRED TO HEREIN ARE OWNED BY THEIR RESPECTIVE COMPANIES AND ARE NOT AFFILIATED IN ANY WAY WITH MIDWEST TRUCK & AUTO PARTS, INC.® MOTIVE GEAR® AND WORLD AMERICAN® ARE THE REGISTERED TRADEMARKS OF MIDWEST TRUCK & AUTO PARTS, INC.® USE OF THE ® IN CONNECTION WITH A MARK OF MIDWEST TRUCK & AUTO PARTS, INC.® INDICATES THAT THE MARK IS REGISTERED IN AT LEAST THE UNITED STATES. NO REPRESENTATION IS MADE WITH RESPECT TO THE SOURCE OF MANUFACTURE OF ANY PARTICULAR PART. © 2005, MIDWEST TRUCK & AUTO PARTS, INC.® ALL RIGHTS RESERVED.

ROCKWELL® WORLD AXLE

FORWARD CARRIERS OF TANDEM AXLES - 160, 161 AND 164 SERIES (Cont'd)

ITEM	DESCRIPTION	REMARKS	CARRIER	QTY	PART NUMBER
140, 146 & 147 (cont'd)	Case Assy - Main Diff.	Ratios - 3.91, 4.10 4.30, 4.56	3200-P-1706, 3200-A-1821, Less Diff. Lock	Use 1 as req.	A-3235-E-2111
		Ratios - 4.89, 5.38, 5.63, 6.14, 6.43, 6.83, 7.17			A-3235-G-2113
		Ratios - 2.80, 2.93	3200-R-1708, 3200-V-1712 Alum., 3200-C-1823, 3200-E-1825 Alum., 3200-T-1892, 3200-Y-1897 Alum., 3200-D-1928, 3200-E-1929 Alum., With Diff. Lock	A2-3235-R-2202	
		Ratios - 3.07, 3.21, 3.42, 3.58, 3.73		A2-3235-C-2109	
		Ratios - 3.91, 4.10, 4.30, 4.56		A2-3235-E-2111	
		Ratios - 4.89, 5.38, 5.63, 6.14, 6.43, 6.83, 7.17	3200-T-1658 Less Diff. Lock	A2-3235-G-2113	
		Ratios - 3.07, 3.21, 3.42, 3.58, 3.73		A10-3235-S-1813	
		Ratios - 3.91, 4.10, 4.30, 4.56		A10-3235-F-1982	
		Ratios - 4.89, 5.38, 5.63, 6.14, 6.43, 6.83, 7.17		A10-3235-H-1984	
		Ratios - 3.07, 3.21, 3.42, 3.58, 3.73	3200-V-1660 With Diff. Lock	A12-3235-S-1813	
		Ratios - 3.91, 4.10, 4.30, 4.56		A12-3235-F-1982	
		Ratios - 4.89, 5.38, 5.63, 6.14, 6.43, 6.83, 7.17		A12-3235-H-1984	
		Ratios - 3.07, 3.21, 3.42, 3.58, 3.73	3200-V-1712, 3200-E-1825, 3200-Y-1897, 3200-E-1929, Aluminum Less Diff. Lock	A5-3235-C-2109	
		Ratios - 3.91, 4.10, 4.30, 4.56		A5-3235-E-2111	
		Ratios - 4.89, 5.38, 5.63, 6.14, 6.43, 6.83, 7.17		A5-3235-G-2113	
		Ratios - 3.07, 3.21, 3.42, 3.58, 3.73	3200-Z-1560 Less Diff. Lock	A-3235-S-1813	
		Ratios - 3.91, 4.10, 4.30, 4.56		A-3235-F-1982 (6) A-3235-S-1813 (5)	
		Ratios - 4.89, 5.38, 5.63, 6.14, 6.43, 6.83, 7.17		A-3235-H-1984	

(5) For use with carriers built prior to 9/1/88.

(6) For use with carriers produced after 9/1/88 or have been retro-fitted with KIT 2468 or KIT 2655 only.

PARTS LISTED IN THIS CATALOG ARE NOT NECESSARILY MANUFACTURED BY THE ORIGINAL EQUIPMENT MANUFACTURER AND ANY REFERENCE TO THE TRADEMARKS OR PART NUMBERS OF OTHERS ARE FOR CROSS REFERENCE INFORMATIONAL PURPOSES ONLY. THE TRADEMARKS OF OTHERS REFERRED TO HEREIN ARE OWNED BY THEIR RESPECTIVE COMPANIES AND ARE NOT AFFILIATED IN ANY WAY WITH MIDWEST TRUCK & AUTO PARTS, INC.® MOTIVE GEAR® AND WORLD AMERICAN® ARE THE REGISTERED TRADEMARKS OF MIDWEST TRUCK & AUTO PARTS, INC.® USE OF THE ® IN CONNECTION WITH A MARK OF MIDWEST TRUCK & AUTO PARTS, INC.® INDICATES THAT THE MARK IS REGISTERED IN AT LEAST THE UNITED STATES. NO REPRESENTATION IS MADE WITH RESPECT TO THE SOURCE OF MANUFACTURE OF ANY PARTICULAR PART. © 2005, MIDWEST TRUCK & AUTO PARTS, INC.® ALL RIGHTS RESERVED.

ROCKWELL® WORLD AXLE

FORWARD CARRIERS OF TANDEM AXLES - 160, 161 AND 164 SERIES (Cont'd)

ITEM	DESCRIPTION	REMARKS	CARRIER	QTY	PART NUMBER
140, 146 & 146	Case Assy - Main Diff.	Ratios - 3.07, 3.21, 3.42, 3.58, 3.73	3200-Z-1560 With Diff. Lock	Use 1 as req.	A2-3235-S-1813
		Ratios - 3.91, 4.10, 4.30, 4.56			A2-3235-F-1982 (6) A2-3235-S-1813 (5)
		Ratios 4.89, 5.38, 5.63, 6.14, 6.43, 6.83, 7.17			A2-3235-H-1984
140, 146 147, 173 174, 175	Case Assy - Main Diff. (ABS ready)	Ratios - 3.07, 3.21, 3.42, 3.58, 3.73	3200-H-1854, Internal ABS, Less Diff. Lock Aluminum	Use 1 as req.	A5-3235-R-2176
		Ratios - 3.91, 4.10, 4.30, 4.56			A5-3235-S-2177
		Ratios - 4.89, 5.38, 5.63, 6.14, 6.43, 6.83, 7.17			A3-3235-T-2178
		Ratios - 3.07, 3.21, 3.42, 3.58, 3.73	3200-J-1856, Internal ABS, Less Diff. Lock, Malleable Iron		A1-3235-R-2176
		Ratios - 3.91, 4.10, 4.30, 4.56			A1-3235-S-2177
		Ratios - 4.89, 5.38, 5.63, 6.14, 6.43, 6.83, 7.17			A1-3235-T-2178
141	Thrust Washer - Side Gear	Included in KIT 2318		2	1229-L-3002
142	Side Gear - Differential		46 Spline	2	2234-C-1069
			50 Spline		2234-D-1070
142A	No-SPIN Assembly			1	A-3230-C-1043
143	Thrust Washer - Diff. Pinion	Included in KIT 2318		4	1229-K-3001
144	Gear - Diff. Pinion			4	2233-M-1001
145	Spider Diff.			1	3278-W-335
146	Washer - Diff. Case			12	1229-U-1503
147	Capscrew - Diff. Case			12	41-X-1275
147A	Thread Locking Liquid			1	2297-C-7049

THE FOLLOWING PARTS ARE FOR MAIN DIFFERENTIAL LOCK

ITEM	DESCRIPTION	REMARKS	CARRIER	QTY	PART NUMBER
148	Sensor/switch - Main Diff. Lock	Included in KIT 4455		1	3237-W-1167
148A	Clip - Sensor/switch			1	2257-M-1235
149	Lock nut - Sensor/switch	Prior to 11/93	Used on carriers w/3266-F-1020 Air Cyl. Cover	1	1227-P-1056

(5) For use with carriers built prior to 9/1/88.

(6) For use with carriers produced after 9/1/88 or have been retro-fitted with KIT 2468 or KIT 2655 only.

PARTS LISTED IN THIS CATALOG ARE NOT NECESSARILY MANUFACTURED BY THE ORIGINAL EQUIPMENT MANUFACTURER AND ANY REFERENCE TO THE TRADEMARKS OR PART NUMBERS OF OTHERS ARE FOR CROSS REFERENCE INFORMATIONAL PURPOSES ONLY. THE TRADEMARKS OF OTHERS REFERRED TO HEREIN ARE OWNED BY THEIR RESPECTIVE COMPANIES AND ARE NOT AFFILIATED IN ANY WAY WITH MIDWEST TRUCK & AUTO PARTS, INC.® MOTIVE GEAR® AND WORLD AMERICAN® ARE THE REGISTERED TRADEMARKS OF MIDWEST TRUCK & AUTO PARTS, INC.® USE OF THE ® IN CONNECTION WITH A MARK OF MIDWEST TRUCK & AUTO PARTS, INC.® INDICATES THAT THE MARK IS REGISTERED IN AT LEAST THE UNITED STATES. NO REPRESENTATION IS MADE WITH RESPECT TO THE SOURCE OF MANUFACTURE OF ANY PARTICULAR PART. © 2005, MIDWEST TRUCK & AUTO PARTS, INC.® ALL RIGHTS RESERVED.

ROCKWELL® WORLD AXLE

FORWARD CARRIERS OF TANDEM AXLES - 160, 161 AND 164 SERIES (Cont'd)

ITEM	DESCRIPTION	REMARKS	CARRIER	QTY	PART NUMBER	
150	Shift fork - Main Diff. Lock	Three pc. design (1)	3200-Z-1560	1	3296-B-184	
		One pc. design	After 11/93	1	3296-B-1172	
			Prior to 11/93		3296-Y-1169 (1)	
151	Spring - Main Diff. Lock		After 11/93	1	2258-N-1262	
			Prior to 11/93		2258-L-714	
					2244-Y-51	
152	Shift Shaft - Main Diff. Lock		1511, 1560, 1660	1	2244-Y-51	
			1708, 1712, 1823		2244-L-1026	
			1892, 1897, 1928, 1929		2244-V-1114	
152A	Washer - Piston (not shown)		Used prior to 11/93	1	42-X-1027	
153	Shift Cylinder Housing	Screw-in Style	After 11/93	1	3261-A-1067	
	Tube - Air Cylinder		Prior to 11/93		3196-F-32	
154	Piston - Main Diff. Lock		After 11/93	1	2230-T-1190	
			Prior to 11/93		2230-N-170	
155	Gasket - Air Cylinder Cover		Used prior to 11/93	1	2208-H-944	
156	Capscrew - Manual engaging		After 11/93	1	41-X-1368	
			Prior to 11/93		41-X-1333	
156A	O-Ring			1	5-X-521	
157	Cover - Air Cylinder		After 11/93	1	No Longer Used	
			Bolt-on Style	Prior to 11/93		3266-F-1020
158	Washer - Adj. Ring Lock Capscrew			2	MWA-508	
159	Capscrew - Adj. Ring Lock			2	MS-208020-1	
160	Lock - Adj. Ring			1	1220-K-89	
161	Pin - Shift Fork	One pc. design		0	Not Used	
		Three pc. design		2	43-X-1007	
162	Clutch Collar - Main Diff. Lock		1511, 1660, 1628	1	3107-F-1020	
			46 Spline	1708, 1712, 1823, 1825, 1892, 1894, 1897, 1928, 1929		3107-B-1094
			50 Spline	1708, 1823		3107-C-1095
				3200-Z-1560		3107-P-1030
163	Roll Pin - Spring retaining		After 11/93	0	Not used	
			Prior to 11/93	1	43-X-1006	
164	O-Ring - Piston		After 11/93	1	5-X-1198	
			Prior to 11/93		5-X-1153	
165	Washer - Air Cylinder Cover		Used prior to 11/93	4	MWA-506	
166	Capscrew - Air Cylinder Cover		1511, 1560, 1660	4	41-X-1364	
			1708, 1712, 1823, 1825		MS-206050-1	
			After 11/93	0	No Longer Used	
167	Gasket - Plug		Used prior to 11/93	1	2208-L-1000	
168	Plug - Air Cylinder Cover		Used prior to 11/93	1	MS-210016-1	

(1) Prior to 11/92 all carriers (except 3200-Z-1560) used the three pc. design fork (3296-R-1084) which was replaced by 3296-Y-1169 in 11/92.

PARTS LISTED IN THIS CATALOG ARE NOT NECESSARILY MANUFACTURED BY THE ORIGINAL EQUIPMENT MANUFACTURER AND ANY REFERENCE TO THE TRADEMARKS OR PART NUMBERS OF OTHERS ARE FOR CROSS REFERENCE INFORMATIONAL PURPOSES ONLY. THE TRADEMARKS OF OTHERS REFERRED TO HEREIN ARE OWNED BY THEIR RESPECTIVE COMPANIES AND ARE NOT AFFILIATED IN ANY WAY WITH MIDWEST TRUCK & AUTO PARTS, INC.® MOTIVE GEAR® AND WORLD AMERICAN® ARE THE REGISTERED TRADEMARKS OF MIDWEST TRUCK & AUTO PARTS, INC.® USE OF THE ® IN CONNECTION WITH A MARK OF MIDWEST TRUCK & AUTO PARTS, INC.® INDICATES THAT THE MARK IS REGISTERED IN AT LEAST THE UNITED STATES. NO REPRESENTATION IS MADE WITH RESPECT TO THE SOURCE OF MANUFACTURE OF ANY PARTICULAR PART. © 2005, MIDWEST TRUCK & AUTO PARTS, INC.® ALL RIGHTS RESERVED.

ROCKWELL® WORLD AXLE

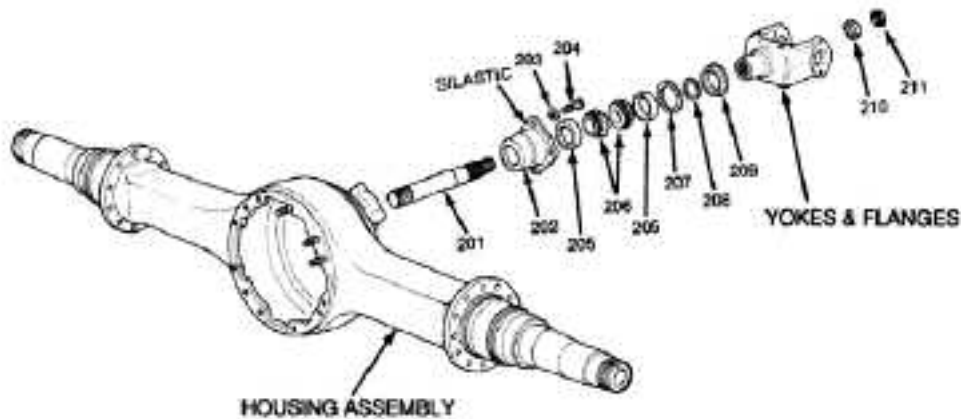
FORWARD CARRIERS OF TANDEM AXLES - 160, 161 AND 164 SERIES (Cont'd)

ITEM	DESCRIPTION	REMARKS	CARRIER	QTY	PART NUMBER
169	Wave Washer - Adjusting Ring			2	2258-G-1255
170	Snap Ring - Adjusting Ring			2	1229-F-4452
171	Snap Ring - Sensor			2	1229-U-4519
172	Sensor - ABS	LH Side	3200-H-1854	1	SA2-3280-X-9150
		RH Side		1	SA1-3280-X-9150
		Both Sides	3200-J-1856	2	SA1-3280-X-9150
172A	Plug - Sensor attaching (not shown)	Aluminum only	3200-H-1854 (LH side)	1	1250-T-1216
173	Drive tube			2	3216-G-4375
174	Washer - Drive tube			2	42-X-1408
175	Snap Ring - Drive tube			2	1229-D-4528



PARTS LISTED IN THIS CATALOG ARE NOT NECESSARILY MANUFACTURED BY THE ORIGINAL EQUIPMENT MANUFACTURER AND ANY REFERENCE TO THE TRADEMARKS OR PART NUMBERS OF OTHERS ARE FOR CROSS REFERENCE INFORMATIONAL PURPOSES ONLY. THE TRADEMARKS OF OTHERS REFERRED TO HEREIN ARE OWNED BY THEIR RESPECTIVE COMPANIES AND ARE NOT AFFILIATED IN ANY WAY WITH MIDWEST TRUCK & AUTO PARTS, INC.® MOTIVE GEAR® AND WORLD AMERICAN® ARE THE REGISTERED TRADEMARKS OF MIDWEST TRUCK & AUTO PARTS, INC.® USE OF THE ® IN CONNECTION WITH A MARK OF MIDWEST TRUCK & AUTO PARTS, INC.® INDICATES THAT THE MARK IS REGISTERED IN AT LEAST THE UNITED STATES. NO REPRESENTATION IS MADE WITH RESPECT TO THE SOURCE OF MANUFACTURE OF ANY PARTICULAR PART. © 2005, MIDWEST TRUCK & AUTO PARTS, INC.® ALL RIGHTS RESERVED.

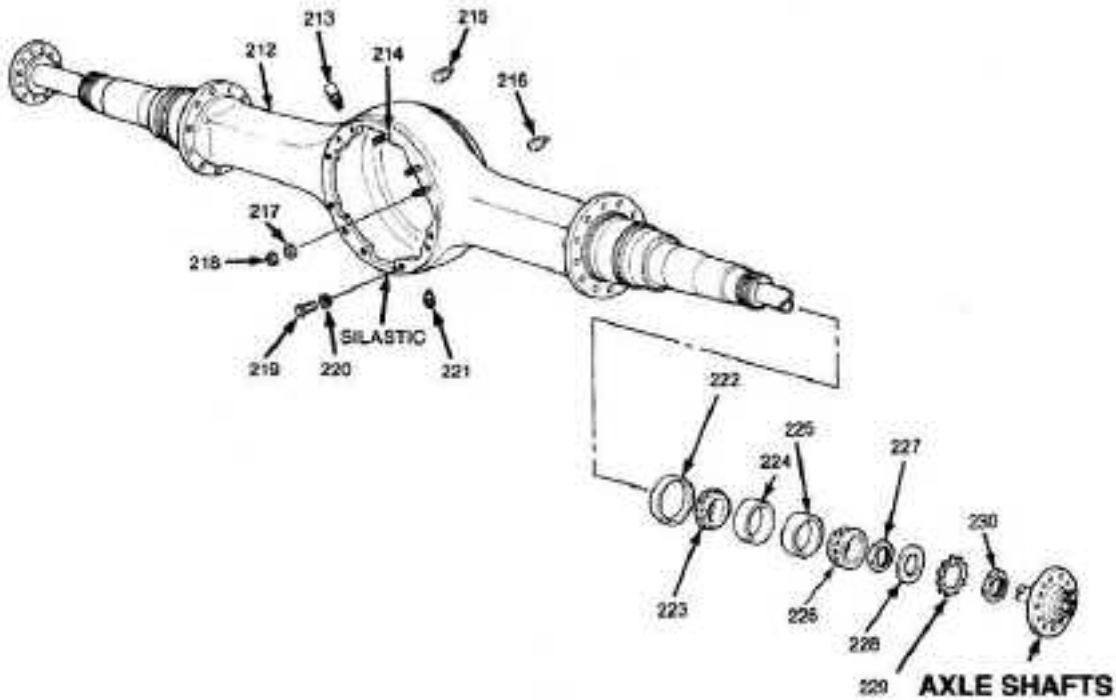
ROCKWELL® WORLD AXLE
OUTPUT (THRU) SHAFT ASSEMBLY PARTS
160, 161 AND 164 SERIES



ITEM	DESCRIPTION	REMARKS	QTY	PART NUMBER
200	Output (thru) shaft, bearing cage and seal assy - (Items 201, 205 thru 211)		1	A2-3226-T-1112
201	Shaft - output (thru)		1	3297-V-1010
202	Bearing cage & inner cup assy - output		1	A-3226-T-1112
203	Washer - output bearing cage capscrew		4	1229-K-1597
204	Capscrew - output bearing cage		4	15-X-387
205	Cups - inter & outer output bearing		2	JLM-104910
206	Cones - inter & outer output bearing		2	JLM-104949
207	Snap Ring (spacer) - output bearing	<p>.155 inch _____</p> <p>.158 inch _____</p> <p>.161 inch _____</p> <p>.164 inch _____</p> <p>.167 inch _____</p> <p>.170 inch _____</p> <p>.173 inch _____</p> <p>.176 inch _____</p> <p>.179 inch _____</p> <p>.182 inch _____</p> <p align="center">Included in KIT 576</p>	Use 1 as req.	<p>1229-P-2590</p> <p>1229-Q-2591</p> <p>1229-R-2592</p> <p>1229-S-2593</p> <p>1229-T-2594</p> <p>1229-U-2595</p> <p>1229-V-2596</p> <p>1229-W-2597</p> <p>1229-X-2598</p> <p>1229-Y-2599</p>
208	Snap Ring Spacer - Output bearing/yoke		1	1229-W-4131
209	Oil seal - Output bearing cage		1	4810V OR 30007CR
210	Washer - Yoke nut (output)	Included in KIT 2637	1	1229-T-1736
211	Nut - Output yoke		1	40-X-1237

PARTS LISTED IN THIS CATALOG ARE NOT NECESSARILY MANUFACTURED BY THE ORIGINAL EQUIPMENT MANUFACTURER AND ANY REFERENCE TO THE TRADEMARKS OR PART NUMBERS OF OTHERS ARE FOR CROSS REFERENCE INFORMATIONAL PURPOSES ONLY. THE TRADEMARKS OF OTHERS REFERRED TO HEREIN ARE OWNED BY THEIR RESPECTIVE COMPANIES AND ARE NOT AFFILIATED IN ANY WAY WITH MIDWEST TRUCK & AUTO PARTS, INC.® MOTIVE GEAR® AND WORLD AMERICAN® ARE THE REGISTERED TRADEMARKS OF MIDWEST TRUCK & AUTO PARTS, INC.® USE OF THE ® IN CONNECTION WITH A MARK OF MIDWEST TRUCK & AUTO PARTS, INC.® INDICATES THAT THE MARK IS REGISTERED IN AT LEAST THE UNITED STATES. NO REPRESENTATION IS MADE WITH RESPECT TO THE SOURCE OF MANUFACTURE OF ANY PARTICULAR PART. © 2005, MIDWEST TRUCK & AUTO PARTS, INC.® ALL RIGHTS RESERVED.

ROCKWELL® WORLD AXLE
HOUSING ASSEMBLY PARTS
160, 161 AND 164 SERIES



ITEM	DESCRIPTION	REMARKS	COMMENTS	QTY	PART NUMBER
212	Axle Housing Assembly			1	As specified
213	Breather Assembly - housing			1	A-1199-P-1394
214	Stud - Carrier to housing Forward-rear only	Long		1	SN-1024-1
		Short	For 15 mtg. hole version	2	SN-1020-1
			For 12 mtg. hole version	1	SN-1020-1
215	Plug - Heat indicator		Use as required	1	P-28S
216	Plug - Filler hole			1	P-212
217	Washer - Carrier to housing nut	Forward-rear only	For 15 mtg. hole version	3	1229-U-1503
			For 12 mtg. hole version	2	1229-U-1503
218	Nut - Carrier to housing stud	Forward-rear only	For 15 mtg. hole version	3	N-110-1
			For 12 mtg. hole version	2	N-110-1

PARTS LISTED IN THIS CATALOG ARE NOT NECESSARILY MANUFACTURED BY THE ORIGINAL EQUIPMENT MANUFACTURER AND ANY REFERENCE TO THE TRADEMARKS OR PART NUMBERS OF OTHERS ARE FOR CROSS REFERENCE INFORMATIONAL PURPOSES ONLY. THE TRADEMARKS OF OTHERS REFERRED TO HEREIN ARE OWNED BY THEIR RESPECTIVE COMPANIES AND ARE NOT AFFILIATED IN ANY WAY WITH MIDWEST TRUCK & AUTO PARTS, INC.® MOTIVE GEAR® AND WORLD AMERICAN® ARE THE REGISTERED TRADEMARKS OF MIDWEST TRUCK & AUTO PARTS, INC.® USE OF THE ® IN CONNECTION WITH A MARK OF MIDWEST TRUCK & AUTO PARTS, INC.® INDICATES THAT THE MARK IS REGISTERED IN AT LEAST THE UNITED STATES. NO REPRESENTATION IS MADE WITH RESPECT TO THE SOURCE OF MANUFACTURE OF ANY PARTICULAR PART. © 2005, MIDWEST TRUCK & AUTO PARTS, INC.® ALL RIGHTS RESERVED.

HOUSING ASSEMBLY PARTS (Cont'd)

ITEM	DESCRIPTION	REMARKS	COMMENTS	QTY	PART NUMBER	
219	Capscrew - carrier to housing	Forward-rear axles, Rp & RD 23-160, 26-160	Long		3	10-X-1599
			Short	For 15 mtg. hole version	9	10-X-1594
				For 12 mtg. hole version	7	10-X-1594
		Rear-rear & single axles, RS & RR 23-160, 26-160	Long		4	10-X-1600
			Short		8	10-X-1594
220	Washer - Carrier to housing capscrew	Forward-rear only	For 15 mtg. hole version	12	1229-U-1503	
			For 12 mtg. hole version	10	1229-U-1503	
		Rear-rear & singles		12	1229-U-1503	
221	Plug - drain (magnetic)			1	1250-E-473	
222	Oil Seal Assembly	Utilized		2	A-1205-Q-2487	
		Use with wiper below		2	370003A	
222A	Wiper - Housing spindle inner (optional)	(Not shown)		2	1199-B-1666	
223	Cone - Bearing inner wheel			2	594A	
224	Cup - Bearing inner wheel			2	592A	
225	Cup - Bearing outer wheel			2	572	
226	Cone - Bearing outer wheel			2	580	
227	Nut - Bearing adjusting inner			2	1227-W-517	
228	Washer - Adjusting nut	Includes Item 229		2	1229-F-4634S	
		Off-highway		2	1229-U-1009	
229	Tanged washer	Not sold separately	Included in 1229-F-4634S	2	1229-G-4635	
230	Nut - Outer jam			2	1227-R-330	

PARTS LISTED IN THIS CATALOG ARE NOT NECESSARILY MANUFACTURED BY THE ORIGINAL EQUIPMENT MANUFACTURER AND ANY REFERENCE TO THE TRADEMARKS OR PART NUMBERS OF OTHERS ARE FOR CROSS REFERENCE INFORMATIONAL PURPOSES ONLY. THE TRADEMARKS OF OTHERS REFERRED TO HEREIN ARE OWNED BY THEIR RESPECTIVE COMPANIES AND ARE NOT AFFILIATED IN ANY WAY WITH MIDWEST TRUCK & AUTO PARTS, INC.® MOTIVE GEAR® AND WORLD AMERICAN® ARE THE REGISTERED TRADEMARKS OF MIDWEST TRUCK & AUTO PARTS, INC.® USE OF THE ® IN CONNECTION WITH A MARK OF MIDWEST TRUCK & AUTO PARTS, INC.® INDICATES THAT THE MARK IS REGISTERED IN AT LEAST THE UNITED STATES. NO REPRESENTATION IS MADE WITH RESPECT TO THE SOURCE OF MANUFACTURE OF ANY PARTICULAR PART. © 2005, MIDWEST TRUCK & AUTO PARTS, INC.® ALL RIGHTS RESERVED.

MIDWEST™

TRUCK & AUTO PARTS INC.

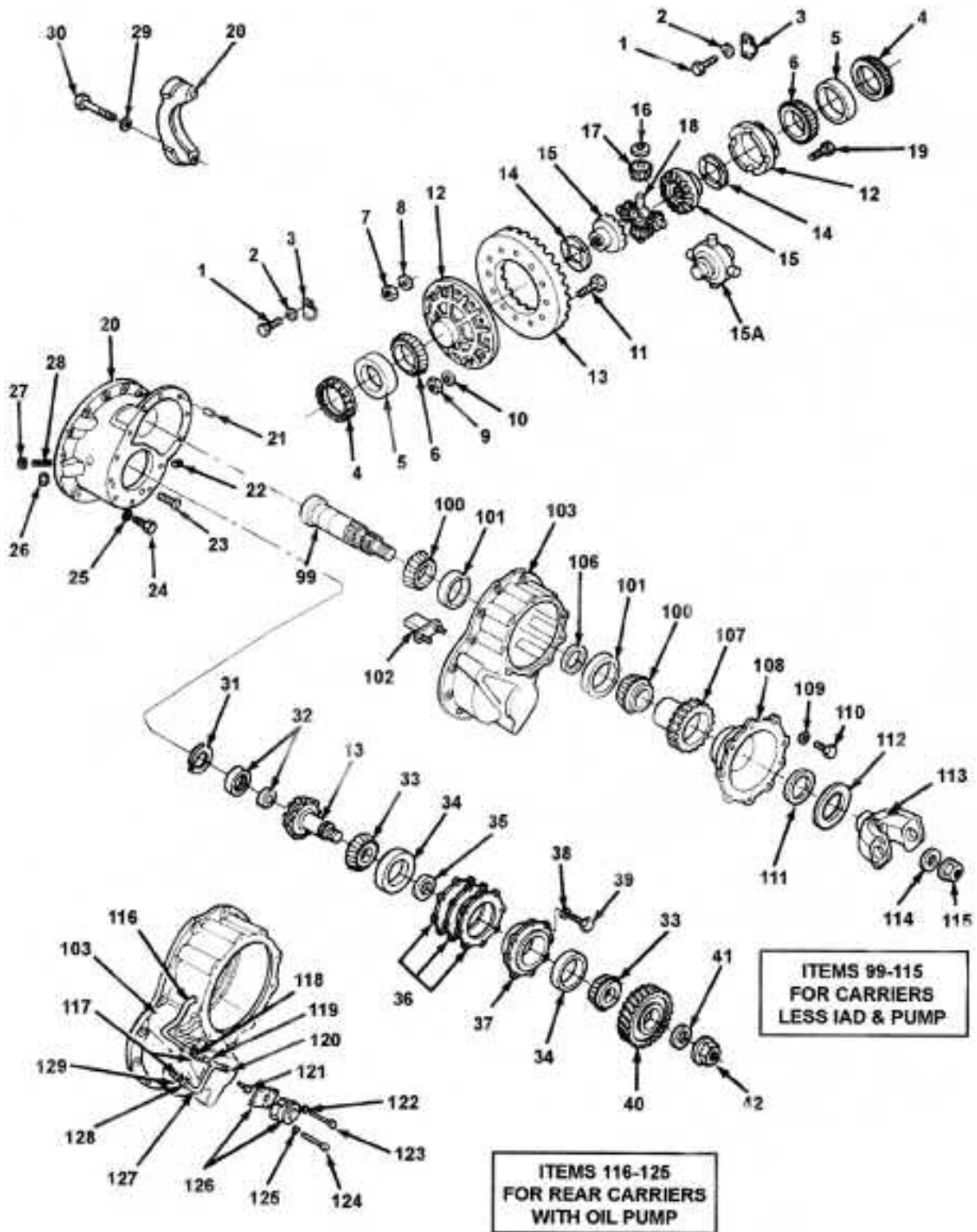


Motive Gear®
Performance

**Motive
Gear**®

PARTS LISTED IN THIS CATALOG ARE NOT NECESSARILY MANUFACTURED BY THE ORIGINAL EQUIPMENT MANUFACTURER AND ANY REFERENCE TO THE TRADEMARKS OR PART NUMBERS OF OTHERS ARE FOR CROSS REFERENCE INFORMATIONAL PURPOSES ONLY. THE TRADEMARKS OF OTHERS REFERRED TO HEREIN ARE OWNED BY THEIR RESPECTIVE COMPANIES AND ARE NOT AFFILIATED IN ANY WAY WITH MIDWEST TRUCK & AUTO PARTS, INC.® MOTIVE GEAR® AND WORLD AMERICAN® ARE THE REGISTERED TRADEMARKS OF MIDWEST TRUCK & AUTO PARTS, INC.® USE OF THE ® IN CONNECTION WITH A MARK OF MIDWEST TRUCK & AUTO PARTS, INC.® INDICATES THAT THE MARK IS REGISTERED IN AT LEAST THE UNITED STATES. NO REPRESENTATION IS MADE WITH RESPECT TO THE SOURCE OF MANUFACTURE OF ANY PARTICULAR PART. © 2005, MIDWEST TRUCK & AUTO PARTS, INC.® ALL RIGHTS RESERVED.

**ROCKWELL® WORLD AXLE
ALL FORWARD CARRIERS
REAR CARRIERS FOR 380 SERIES
(DOUBLE REDUCTION) AXLES**

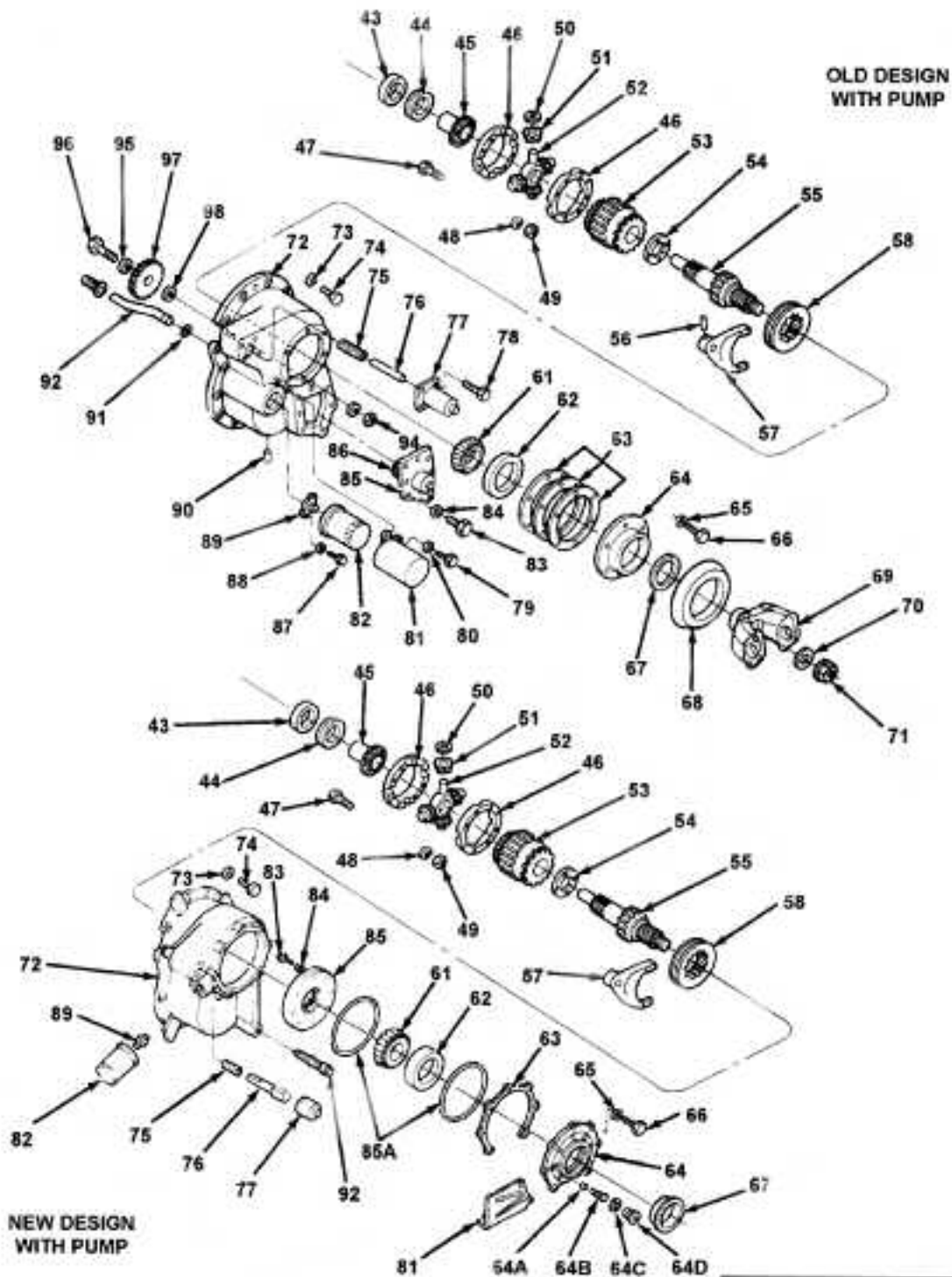


PARTS LISTED IN THIS CATALOG ARE NOT NECESSARILY MANUFACTURED BY THE ORIGINAL EQUIPMENT MANUFACTURER AND ANY REFERENCE TO THE TRADEMARKS OR PART NUMBERS OF OTHERS ARE FOR CROSS REFERENCE INFORMATIONAL PURPOSES ONLY. THE TRADEMARKS OF OTHERS REFERRED TO HEREIN ARE OWNED BY THEIR RESPECTIVE COMPANIES AND ARE NOT AFFILIATED IN ANY WAY WITH MIDWEST TRUCK & AUTO PARTS, INC.® MOTIVE GEAR® AND WORLD AMERICAN® ARE THE REGISTERED TRADEMARKS OF MIDWEST TRUCK & AUTO PARTS, INC.® USE OF THE ® IN CONNECTION WITH A MARK OF MIDWEST TRUCK & AUTO PARTS, INC.® INDICATES THAT THE MARK IS REGISTERED IN AT LEAST THE UNITED STATES. NO REPRESENTATION IS MADE WITH RESPECT TO THE SOURCE OF MANUFACTURE OF ANY PARTICULAR PART. © 2005, MIDWEST TRUCK & AUTO PARTS, INC.® ALL RIGHTS RESERVED.

ROCKWELL® WORLD AXLE

ALL FORWARD CARRIERS

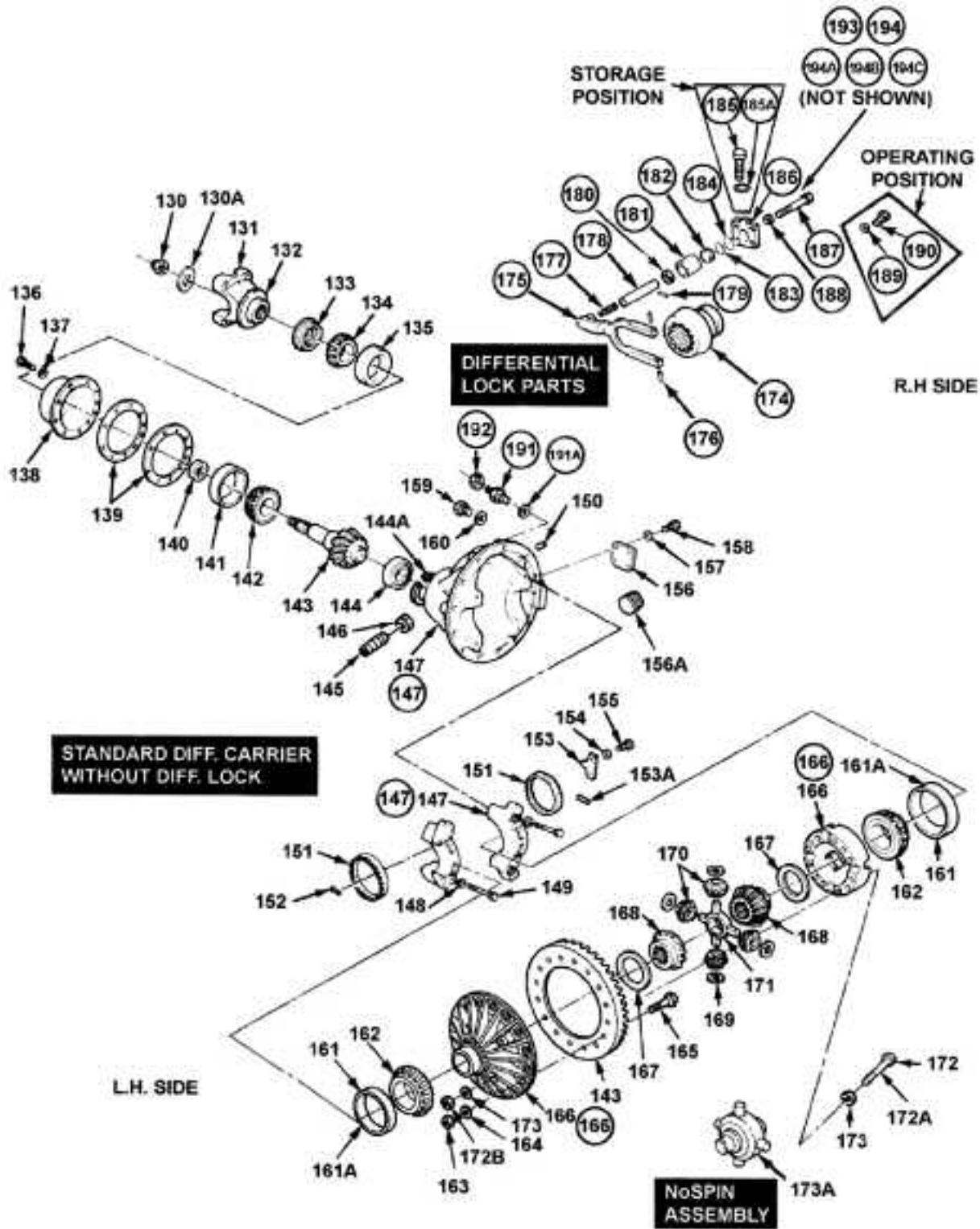
REAR CARRIERS FOR 380 SERIES



SEE ITEMS 1-42 ON
PREVIOUS ILLUSTRATION FOR
MAIN DIFF. & GEARSET PARTS

PARTS LISTED IN THIS CATALOG ARE NOT NECESSARILY MANUFACTURED BY THE ORIGINAL EQUIPMENT MANUFACTURER AND ANY REFERENCE TO THE TRADEMARKS OR PART NUMBERS OF OTHERS ARE FOR CROSS REFERENCE INFORMATIONAL PURPOSES ONLY. THE TRADEMARKS OF OTHERS REFERRED TO HEREIN ARE OWNED BY THEIR RESPECTIVE COMPANIES AND ARE NOT AFFILIATED IN ANY WAY WITH MIDWEST TRUCK & AUTO PARTS, INC.® MOTIVE GEAR® AND WORLD AMERICAN® ARE THE REGISTERED TRADEMARKS OF MIDWEST TRUCK & AUTO PARTS, INC.® USE OF THE ® IN CONNECTION WITH A MARK OF MIDWEST TRUCK & AUTO PARTS, INC.® INDICATES THAT THE MARK IS REGISTERED IN AT LEAST THE UNITED STATES. NO REPRESENTATION IS MADE WITH RESPECT TO THE SOURCE OF MANUFACTURE OF ANY PARTICULAR PART. © 2005, MIDWEST TRUCK & AUTO PARTS, INC.® ALL RIGHTS RESERVED.

ROCKWELL® WORLD AXLE REAR CARRIERS FOR 180/185/186 SERIES SINGLE AND TANDEM AXLES



• Circled numbers are diff. lock parts or parts that change when diff. lock is added.

PARTS LISTED IN THIS CATALOG ARE NOT NECESSARILY MANUFACTURED BY THE ORIGINAL EQUIPMENT MANUFACTURER AND ANY REFERENCE TO THE TRADEMARKS OR PART NUMBERS OF OTHERS ARE FOR CROSS REFERENCE INFORMATIONAL PURPOSES ONLY. THE TRADEMARKS OF OTHERS REFERRED TO HEREIN ARE OWNED BY THEIR RESPECTIVE COMPANIES AND ARE NOT AFFILIATED IN ANY WAY WITH MIDWEST TRUCK & AUTO PARTS, INC.® MOTIVE GEAR® AND WORLD AMERICAN® ARE THE REGISTERED TRADEMARKS OF MIDWEST TRUCK & AUTO PARTS, INC.® USE OF THE ® IN CONNECTION WITH A MARK OF MIDWEST TRUCK & AUTO PARTS, INC.® INDICATES THAT THE MARK IS REGISTERED IN AT LEAST THE UNITED STATES. NO REPRESENTATION IS MADE WITH RESPECT TO THE SOURCE OF MANUFACTURE OF ANY PARTICULAR PART. © 2005, MIDWEST TRUCK & AUTO PARTS, INC.® ALL RIGHTS RESERVED.

ROCKWELL® WORLD AXLE
AXLE MODELS - CARRIERS - FEATURES
180/185/186 SERIES SINGLE REDUCTION AXLES
380 SERIES DOUBLE REDUCTION AXLES

ITEM	DESCRIPTION	REMARKS	CARRIER	QTY	PART NUMBER
------	-------------	---------	---------	-----	-------------

NOTE: ITEMS 99-115 ARE USED ONLY IN FWD. CARRIERS W/O IAD OR OIL PUMP AND IN THE REAR CARRIER OF 280 SERIES (DOUBLE REDUCTION) AXLES

99, 115	Input shaft & nut assembly		Forward/Rear	RN-xx-380 carriers	1	A-3297-M-117
			Rear-Rear	RR-xx-380 carriers		A-3297-S-97
100	Cones - Input shaft bearing	Inner		All	1	29685
		Outer				496
101	Cups - Input shaft	Inner		All	1	29620
		Outer				493
102	Oil Scoop - Helical gear cover			All	1	3221-H-8
103, 101, 102	Cover assembly - Helical gear			All except rear-rear with pump	1	A1-3266-B-834
103, 101, 102, 116, 117, 118, 119, 120, 127, 128, 129	Cover assembly - Helical gear			RR-xx-380 carrier (rear-rear) with oil pump	1	A-3266-L-792
104	Washer - gear cover to carrier			All	14	1229-C-1511
105	Capscrew - gear cover to carrier			All	14	S-2812-2
106	Spacers - Input shaft bearing	.326" / 8.28mm	Incl. in KIT 1554	All	Use 2 as req.	2203-U-7899
		.327" / 8.31mm				2203-V-7900
		.328" / 8.33mm				2203-X-7902
		.329" / 8.36mm				2203-W-7901
		.330" / 8.38mm				2203-Y-7903
		.331" / 8.41mm				2203-Z-7904
		.332" / 8.43mm				2203-A-7905
		.338" / 8.59mm				2203-B-7906
		.345" / 8.76mm				2203-C-7907
		.352" / 8.94mm				2203-D-7908
		.359" / 9.12mm				2203-E-7909
107	Gear - Helical drive			All	1	3892-F-4712
108	Cover - Input		Forward-Rear	RN-xx-380 carriers	1	3266-Y-831
			Rear-Rear	RN-xx-380 carriers		3266-T-982
109	Washer - Input cover			All	9	1229-K-1597
110	Capscrew - Input cover			All	9	S-2610-2
111	Oil seal - Input cover		Forward-Rear	RN-xx-380 carriers	1	4345V
			Rear-Rear	RN-xx-380 carriers		4810V OR 30007CR
112	Deflector - Input yoke		Available separately or as an assembly.	All	1	CALL YOUR SALES REP

PARTS LISTED IN THIS CATALOG ARE NOT NECESSARILY MANUFACTURED BY THE ORIGINAL EQUIPMENT MANUFACTURER AND ANY REFERENCE TO THE TRADEMARKS OR PART NUMBERS OF OTHERS ARE FOR CROSS REFERENCE INFORMATIONAL PURPOSES ONLY. THE TRADEMARKS OF OTHERS REFERRED TO HEREIN ARE OWNED BY THEIR RESPECTIVE COMPANIES AND ARE NOT AFFILIATED IN ANY WAY WITH MIDWEST TRUCK & AUTO PARTS, INC.® MOTIVE GEAR® AND WORLD AMERICAN® ARE THE REGISTERED TRADEMARKS OF MIDWEST TRUCK & AUTO PARTS, INC.® USE OF THE ® IN CONNECTION WITH A MARK OF MIDWEST TRUCK & AUTO PARTS, INC.® INDICATES THAT THE MARK IS REGISTERED IN AT LEAST THE UNITED STATES. NO REPRESENTATION IS MADE WITH RESPECT TO THE SOURCE OF MANUFACTURE OF ANY PARTICULAR PART. © 2005, MIDWEST TRUCK & AUTO PARTS, INC.® ALL RIGHTS RESERVED.

ROCKWELL® WORLD AXLE

FORWARD CARRIERS OF ALL TANDEM AXLES

REAR CARRIERS OF 380 SERIES

(DOUBLE-REDUCTION) AXLES

ITEM	DESCRIPTION	REMARKS	CARRIER	QTY	PART NUMBER
113	Yoke & deflector assembly - input		All	1	
114	Washer - Input yoke & shaft	Forward-Rear	RN-xx-380 carriers	1	1229-N-1730
		Rear-Rear	RN-xx-380 carriers		1229-T-1736
115	Nut - Input yoke & shaft	Forward-Rear	RN-xx-380 carriers	1	1227-D-940
		Rear-Rear	RN-xx-380 carriers		1227-J-946

NOTE: ITEMS 116-129 ARE OIL PUMP COMPONENTS THAT ARE ONLY USED IN REAR CARRIERS

116	Tube - finished steel 11.88" long	3/8" OD x .032" wall		1	3196-U-21
117	Hose clamp			4	2257-S-1033
118	Hose 3/8" x 2"			1	2296-F-1098
119	Tube - finished steel .94" radius	3/8" OD x .032" wall		1	2296-B-106
120	O-Ring			1	5-X-585
121	Button - pump drive			1	2297-C-3799
122	Washer - oil pump bolt	11/32" ID x 5/8" OD		3	1229-E-1669
123	Bolt - oil pump	5/16" dia. x 2.24" long		3	S-2518-2
124	Bolt - oil pump	3/8" dia. x 2.25" long		1	S-2616-2
125	Washer - oil pump bolt	13/32" ID x 13/16" OD		1	1229-B-1666
126	Oil pump assembly			1	A-3303-M-13
127	Tube - finished steel .125" radius	7/16" OD x .032" wall		1	3196-T-20
128	Hose - 7/16" x 2"			1	2296-G-1099
129	Tube - finished steel 2" long	7/16" OD x .032" wall		1	2296-A-105

PARTS LISTED IN THIS CATALOG ARE NOT NECESSARILY MANUFACTURED BY THE ORIGINAL EQUIPMENT MANUFACTURER AND ANY REFERENCE TO THE TRADEMARKS OR PART NUMBERS OF OTHERS ARE FOR CROSS REFERENCE INFORMATIONAL PURPOSES ONLY. THE TRADEMARKS OF OTHERS REFERRED TO HEREIN ARE OWNED BY THEIR RESPECTIVE COMPANIES AND ARE NOT AFFILIATED IN ANY WAY WITH MIDWEST TRUCK & AUTO PARTS, INC.® MOTIVE GEAR® AND WORLD AMERICAN® ARE THE REGISTERED TRADEMARKS OF MIDWEST TRUCK & AUTO PARTS, INC.® USE OF THE ® IN CONNECTION WITH A MARK OF MIDWEST TRUCK & AUTO PARTS, INC.® INDICATES THAT THE MARK IS REGISTERED IN AT LEAST THE UNITED STATES. NO REPRESENTATION IS MADE WITH RESPECT TO THE SOURCE OF MANUFACTURE OF ANY PARTICULAR PART. © 2005, MIDWEST TRUCK & AUTO PARTS, INC.® ALL RIGHTS RESERVED.

ROCKWELL® WORLD AXLE

FORWARD CARRIERS OF ALL TANDEM AXLES

REAR CARRIERS OF 380 SERIES

(DOUBLE-REDUCTION) AXLES (Cont'd)

ITEM	DESCRIPTION	REMARKS	CARRIER	QTY	PART NUMBER
130			1381 & 1399	1	KIT 2638
			All others		40-X-1233
130A			All	1	1229-N-1730
131			All	1	CALL YOUR SALES REP
132			All	1	3264-P-172
133		Incl. in KIT 4435	All	1	4544V
134			All	1	H-715334
135			All	1	H-715311
136			1381	8	41-X-1043
			All others		MS-212045-1
137			1899	8	1229-D-4632
			All others		MWA-512
38, 135, 141			1752 & 1753	1	A-3226-V-1010
			All except 1752 & 1753		A-3226-B-860
139	Shims - pinion bearing cage	Incl. in KIT 1592	All	Use 1 as req.	.003" / .075mm
					.005" / .125mm
					.008" / .200mm
					.020" / .500mm
140	Spacers - pinion bearing	Incl. in KIT 1593	All	Use 2 as req.	.250" / 6.35mm
					.251" / 6.38mm
					.252" / 6.40mm
					.254" / 6.45mm
					.256" / 6.50mm
					.260" / 6.60mm
					.261" / 6.63mm
					.262" / 6.65mm
					.263" / 6.68mm
.264" / 6.70mm					
141		Incl. in KIT 4435	All	1	9220
142			All	1	9278
43, 130	Drive gear, pinion & nut assembly	Use KIT 2608 bolt kit with these gearsets	All 180/185/186 series rear-rear carriers (except 3.07 and 3.73-4.30 ratios in	Use 1 as req.	2.93 ratio
					3.08 ratio
					3.21 ratio
					3.42 ratio
					B-41592-1
					B-40990-3
					B-41026-3
					B-41004-3

PARTS LISTED IN THIS CATALOG ARE NOT NECESSARILY MANUFACTURED BY THE ORIGINAL EQUIPMENT MANUFACTURER AND ANY REFERENCE TO THE TRADEMARKS OR PART NUMBERS OF OTHERS ARE FOR CROSS REFERENCE INFORMATIONAL PURPOSES ONLY. THE TRADEMARKS OF OTHERS REFERRED TO HEREIN ARE OWNED BY THEIR RESPECTIVE COMPANIES AND ARE NOT AFFILIATED IN ANY WAY WITH MIDWEST TRUCK & AUTO PARTS, INC.® MOTIVE GEAR® AND WORLD AMERICAN® ARE THE REGISTERED TRADEMARKS OF MIDWEST TRUCK & AUTO PARTS, INC.® USE OF THE ® IN CONNECTION WITH A MARK OF MIDWEST TRUCK & AUTO PARTS, INC.® INDICATES THAT THE MARK IS REGISTERED IN AT LEAST THE UNITED STATES. NO REPRESENTATION IS MADE WITH RESPECT TO THE SOURCE OF MANUFACTURE OF ANY PARTICULAR PART. © 2005, MIDWEST TRUCK & AUTO PARTS, INC.® ALL RIGHTS RESERVED.

ROCKWELL® WORLD AXLE

FORWARD CARRIERS OF ALL TANDEM AXLES

REAR CARRIERS OF 380 SERIES

(DOUBLE-REDUCTION) AXLES (Cont'd)

ITEM	DESCRIPTION	REMARKS	CARRIER	QTY	PART NUMBER	
31	Snap Ring - spigot bearing	One piece bearing	All other ratios	1	1229-L-1624	
			Sgl. reduction 6.83 Sgl. reduction 7.17		Dbl. reduction 10.12 Dbl. reduction 10.62	1229-K-1623
		Two piece bearing				1229-T-4076
32, 31	Bearing - drive pinion spigot (inner & outer race plus snap ring)	Current design one piece bearing	All other ratios	1	MUB7309UM	
			Sgl. reduction 6.83 Sgl. reduction 7.17		Dbl. reduction 10.12 Dbl. reduction 10.62	MUC1309TM
		Old design two pc. brg. Incl. Item 31 (1229-T-4076 snap ring.	All other ratios			MRB7309GEXR
			Sgl. reduction 6.83 Sgl. reduction 7.17		Dbl. reduction 10.12 Dbl. reduction 10.62	MRC7309
33	Cones - drive pinion inner & outer bearing		All	2	78250AC	
34	Cups - drive pinion inner & outer bearing		All	2	78551	
35	Spacers - pinion bearing	.326" /8.28mm	Incl. in KITS 1554,	All	Use 2 as req.	2203-U-7899
		.327" /8.31mm	RP180 1625, RP380 & RR380			2203-V-7900
		.328" /8.31mm				2203-W-7901
		.329" /8.33mm				2203-X-7902
		.330" /8.38mm				2203-Y-7903
		.331" /8.41mm				2203-Z-7904
		.332" /8.43mm				2203-A-7905
		.338" /8.59mm				2203-B-7906
		.345" /8.76mm				2203-C-7907
		.352" /8.94mm				2203-D-7908
		.359" /9.12mm				2203-E-7909
36	Shims - pinion bearing cage	.003" /.075mm	Incl. in KITS 2432,	All	Use as req.	2203-Z-6604
		.005" /.125mm	RP180 1625, RP380 & RR830			2203-A-6605
		.010" /.254mm				2203-B-6606
37, 34	Pinion bearing cage & cups assembly		All	1	A-3226-Z-598	
38	Washer - pinion bearing cage		All	9	10-X-1669	
39	Capscrew - pinion bearing cage		All	9	S-2812A-2	
40	Gear - helical driven	Forward-Rear	RP-xx-180 carriers	1	3892-J-4014	
			RP-xx-380 carriers		3892-B-4708	
		Single axles & rear-rear double reduction	RR & RS-xx-380		3892-D-4710	

PARTS LISTED IN THIS CATALOG ARE NOT NECESSARILY MANUFACTURED BY THE ORIGINAL EQUIPMENT MANUFACTURER AND ANY REFERENCE TO THE TRADEMARKS OR PART NUMBERS OF OTHERS ARE FOR CROSS REFERENCE INFORMATIONAL PURPOSES ONLY. THE TRADEMARKS OF OTHERS REFERRED TO HEREIN ARE OWNED BY THEIR RESPECTIVE COMPANIES AND ARE NOT AFFILIATED IN ANY WAY WITH MIDWEST TRUCK & AUTO PARTS, INC.® MOTIVE GEAR® AND WORLD AMERICAN® ARE THE REGISTERED TRADEMARKS OF MIDWEST TRUCK & AUTO PARTS, INC.® USE OF THE ® IN CONNECTION WITH A MARK OF MIDWEST TRUCK & AUTO PARTS, INC.® INDICATES THAT THE MARK IS REGISTERED IN AT LEAST THE UNITED STATES. NO REPRESENTATION IS MADE WITH RESPECT TO THE SOURCE OF MANUFACTURE OF ANY PARTICULAR PART. © 2005, MIDWEST TRUCK & AUTO PARTS, INC.® ALL RIGHTS RESERVED.

ROCKWELL® WORLD AXLE

FORWARD CARRIERS OF ALL TANDEM AXLES

REAR CARRIERS OF 380 SERIES

(DOUBLE-REDUCTION) AXLES (Cont'd)

ITEM	DESCRIPTION	REMARKS	CARRIER	QTY	PART NUMBER
41	Washer - drive pinion		All	1	1229-K-2429
42	Nut - drive pinion	Incl. in KITS RR380, RP380 & RP180 1625	All	1	1227-P-900

NOTE: ITEMS 43-98 ARE USED ONLY IN FWD. CARRIERS WITH IAD & OIL PUMP

43	Cup - Rear side gear bearing	Incl. in KITS RR380,	All	1	JM-515610
44	Cone - Rear side gear bearing	RP380 & RP180 1625	All	1	JM-515649
45	Side gear - inter-axle differential rear		All	1	2234-F-890
46, 47, 48, 49	Case assembly - Inter-axle differential		All	1	A1-3235-X-1532
46, 47, 48, 49, 50, 51, 52	Case & nest assembly - Inter-axle differential		All	1	A-3235-X-1532
47	Bolt - Inter-axle differential case		All	8	S-2626-2
48	Washer - Inter-axle differential case		All	16	1229-K-1597
49	Nut - Inter-axle differential case		All	8	NL-26-1
50	Thrust washer - Inter-axle pinion	Incl. in KITS 2421,2422,	All	4	1229-Q-2929
51	Gear - Inter-axle pinion	RP180 1625 & RP380	All	4	2233-K-245
52	Spider (cross) - Inter-axle differential		All	1	3278-N-300
53	Helical drive & forward side gear	Forward-Rear	RP-xx-180 carriers	1	3892-W-4963
			RP-xx-380 carriers		3892-Y-4965
54	Thrust washer - Helical drive gear	Incl. in KITS 2421,2422, RP180 1625 & RP380	All	1	1229-L-2742
55	Input shaft, nut, ball & pin assembly		All after 11/93	1	A1-3297-N-1288
			All prior to 11/93		A1-3297-K-115
56	Roll pin - shift fork		All after 11/93	1	Not used
			All prior to 11/93		KIT 2268
57	Shift fork - Inter-axle differential		All after 11/93	1	3296-Q-1187
			All prior to 11/93		3296-L-90
58	Clutch collar - Inter-axle differential		All	1	3107-P-16
59	Adjusting screw - shift shaft		All	1	S-2812-2
60	Jam nut - Adjusting screw		All	1	N-68-1
61	Cone - Input shaft bearing	Incl. in KITS 4440,	All	1	HM-813844
62	Cup - Input shaft bearing	RP180 1625 & RP380	All	1	HM-813810
63	Shims - Input shaft bearing cage	.003" / .076mm	Incl. in KIT 1573	All prior to 11/93	Use
				All after 11/93	as
		.005" / .127mm	Incl. in KIT 1573	All prior to 11/93	req.
				All after 11/93	2203-L-9242
		.010" / .254mm	Incl. in KIT 1573	All prior to 11/93	2203-E-6609
				All after 11/93	2203-M-9243
64, 62	Bearing cage & cup assembly - input		All after 11/93	1	A-3226-H-1126
			All prior to 11/93		A-3226-J-79064A

PARTS LISTED IN THIS CATALOG ARE NOT NECESSARILY MANUFACTURED BY THE ORIGINAL EQUIPMENT MANUFACTURER AND ANY REFERENCE TO THE TRADEMARKS OR PART NUMBERS OF OTHERS ARE FOR CROSS REFERENCE INFORMATIONAL PURPOSES ONLY. THE TRADEMARKS OF OTHERS REFERRED TO HEREIN ARE OWNED BY THEIR RESPECTIVE COMPANIES AND ARE NOT AFFILIATED IN ANY WAY WITH MIDWEST TRUCK & AUTO PARTS, INC.® MOTIVE GEAR® AND WORLD AMERICAN® ARE THE REGISTERED TRADEMARKS OF MIDWEST TRUCK & AUTO PARTS, INC.® USE OF THE ® IN CONNECTION WITH A MARK OF MIDWEST TRUCK & AUTO PARTS, INC.® INDICATES THAT THE MARK IS REGISTERED IN AT LEAST THE UNITED STATES. NO REPRESENTATION IS MADE WITH RESPECT TO THE SOURCE OF MANUFACTURE OF ANY PARTICULAR PART. © 2005, MIDWEST TRUCK & AUTO PARTS, INC.® ALL RIGHTS RESERVED.

ROCKWELL® WORLD AXLE

FORWARD CARRIERS OF ALL TANDEM AXLES

REAR CARRIERS OF 380 SERIES

(DOUBLE-REDUCTION) AXLES (Cont'd)

ITEM	DESCRIPTION	REMARKS	CARRIER	QTY	PART NUMBER
64A	Pressure relief valve - oil		All after 11/93	1	2297-U-5273
			All prior to 11/93	0	Not used
64B	Spring - Oil pressure relief valve		All after 11/93	1	2258-Z-1118
			All prior to 11/93	0	Not used
64C	Washer - Plug		11/93 thru 5/97	1	1229-F-4062
			All prior to 11/93 & after 5/97	0	Not used
64D	Pressure relief plug		11/93 thru 5/97	1	1250-N-1080
			All prior to 11/93 & after 5/97	0	Not used
65	Washer - Input bearing cage		All after 11/93	7	1229-C-1511
			All prior to 11/93	6	1229-C-1511
66	Capscrew - Input bearing cage		All after 11/93	7	S-2814-A2
			All prior to 11/93	6	10-X-1669
67	Oil seal - Input bearing cage		All	1	4345V
68	Deflector - Input yoke	Available separately or	All	1	CALL YOUR SALES REP
69	Yoke & Deflector assembly - Input	as an assembly.	All	1	
70	Washer - Input yoke & shaft		All	1	1229-N-1730
71	Nut - Input yoke & shaft	Incl. in KITS RP180 1625 & RP380	All	1	1227-D-940
72	Cover assembly - helical gear	Direct drive (1:1)	All after 11/93	1	3266-M-1313
		Overdrive (.756:1)			3266-Q-1317
		Updates to current design direct drive (1:1)	All prior to 11/93		KIT 2678
		Updates to current design overdrive (.756:1)			KIT 2679
73	Washer - Gear cover to carrier		All	14	1229-C-1511
74	Capscrew - Gear cover to carrier		All	14	S-2812-2
75	Spring - Shift shaft return		All	1	2258-U-411
76	Shift Shaft - Inter-axle differential		All after 11/93	1	2244-K-1025
			All prior to 11/93		2297-X-2494
77	Shift assembly - Inter-axle differential air		All after 11/93	1	A2-3261-Q-1057
			All prior to 11/93		KIT 2266
78	Capscrew - Air shift assembly		All after 11/93	0	Not used
			All prior to 11/93	4	10-X-1334
79	Capscrew - Filter shield		All after 11/93	0	Not used
			All prior to 11/93	2	S-256P-2
80	Washer - Filter shield		All after 11/93	0	Not used
			All prior to 11/93	2	1229-E-1669
81	Shield - oil filter		All after 11/93	1	3280-Z-8398
			All prior to 11/93		A-3280-F-8430

PARTS LISTED IN THIS CATALOG ARE NOT NECESSARILY MANUFACTURED BY THE ORIGINAL EQUIPMENT MANUFACTURER AND ANY REFERENCE TO THE TRADEMARKS OR PART NUMBERS OF OTHERS ARE FOR CROSS REFERENCE INFORMATIONAL PURPOSES ONLY. THE TRADEMARKS OF OTHERS REFERRED TO HEREIN ARE OWNED BY THEIR RESPECTIVE COMPANIES AND ARE NOT AFFILIATED IN ANY WAY WITH MIDWEST TRUCK & AUTO PARTS, INC.® MOTIVE GEAR® AND WORLD AMERICAN® ARE THE REGISTERED TRADEMARKS OF MIDWEST TRUCK & AUTO PARTS, INC.® USE OF THE ® IN CONNECTION WITH A MARK OF MIDWEST TRUCK & AUTO PARTS, INC.® INDICATES THAT THE MARK IS REGISTERED IN AT LEAST THE UNITED STATES. NO REPRESENTATION IS MADE WITH RESPECT TO THE SOURCE OF MANUFACTURE OF ANY PARTICULAR PART. © 2005, MIDWEST TRUCK & AUTO PARTS, INC.® ALL RIGHTS RESERVED.

ROCKWELL® WORLD AXLE
FORWARD CARRIERS OF ALL TANDEM AXLES
REAR CARRIERS OF 380 SERIES
(DOUBLE-REDUCTION) AXLES (Cont'd)

ITEM	DESCRIPTION	REMARKS	CARRIER	QTY	PART NUMBER
82	Filter - oil		All after 11/93	1	3280-V-8394
			All prior to 11/93		
83	Capscrew - Oil pump	Long	All prior to 11/93	1	S-2616-2
		Short	All prior to 11/93		6
84	Washer - Oil pump		All after 11/93	6	MS-208045-1
			All after 11/93		1229-E-1669
85	Oil pump assembly		All prior to 11/93	7	1229-K-1597
			All after 11/93		1
85A	O-Ring - Pump assembly		All prior to 11/93	2	A1-3303-L-12
			All after 11/93		5-X-1034
86	Gear - Pump driven		All prior to 11/93	0	Not used
			All after 11/93		0
87	Capscrew - Filter adapter		All prior to 11/93	1	3892-V-4936
			All after 11/93		0
88	Washer - Filter adapter		All prior to 11/93	2	S-2510-2
			All after 11/93		0
89	Adapter - Oil filter		All prior to 11/93	2	1229-E-1669
			All after 11/93		1
90	Plug - Gear cover		All prior to 11/93	0	2297-E-2293
			All after 11/93		0
91	O-Ring - Oil tube to gear cover		All prior to 11/93	1	P-16
			All after 11/93		0
92	Tube - Gear cover oil		All prior to 11/93	1	3780-R-382
			All after 11/93		1
93	Pin - Oil restriction (not shown)		All prior to 11/93	1	3196-B-28
			All after 11/93		0
94	Nut - Pump idler shaft		All prior to 11/93	1	1246-Q-615
			All after 11/93		0
95	Bearing assembly - pump idler gear		All prior to 11/93	1	NL-210-1
			All after 11/93		0
96	Shaft - Pump idler gear		All prior to 11/93	1	LM11949-90013
			All after 11/93		0
97	Gear - Pump idler drive		All prior to 11/93	1	2297-L-5420
			All after 11/93		0
98	Washer - Pump idler shaft		All prior to 11/93	1	3892-W-4937
			All after 11/93		0
			All prior to 11/93	1	1829-J-738

PARTS LISTED IN THIS CATALOG ARE NOT NECESSARILY MANUFACTURED BY THE ORIGINAL EQUIPMENT MANUFACTURER AND ANY REFERENCE TO THE TRADEMARKS OR PART NUMBERS OF OTHERS ARE FOR CROSS REFERENCE INFORMATIONAL PURPOSES ONLY. THE TRADEMARKS OF OTHERS REFERRED TO HEREIN ARE OWNED BY THEIR RESPECTIVE COMPANIES AND ARE NOT AFFILIATED IN ANY WAY WITH MIDWEST TRUCK & AUTO PARTS, INC.® MOTIVE GEAR® AND WORLD AMERICAN® ARE THE REGISTERED TRADEMARKS OF MIDWEST TRUCK & AUTO PARTS, INC.® USE OF THE ® IN CONNECTION WITH A MARK OF MIDWEST TRUCK & AUTO PARTS, INC.® INDICATES THAT THE MARK IS REGISTERED IN AT LEAST THE UNITED STATES. NO REPRESENTATION IS MADE WITH RESPECT TO THE SOURCE OF MANUFACTURE OF ANY PARTICULAR PART. © 2005, MIDWEST TRUCK & AUTO PARTS, INC.® ALL RIGHTS RESERVED.

ROCKWELL® WORLD AXLE

FORWARD CARRIERS OF ALL TANDEM AXLES

REAR CARRIERS OF 380 SERIES

(DOUBLE-REDUCTION) AXLES (Cont'd)

ITEM	DESCRIPTION	REMARKS	CARRIER	QTY	PART NUMBER
------	-------------	---------	---------	-----	-------------

NOTE: ITEMS 99-115 ARE USED ONLY IN FWD. CARRIERS W/O IAD OR OIL PUMP AND IN THE REAR CARRIER OF 280 SERIES (DOUBLE REDUCTION) AXLES

99, 115	Input shaft & nut assembly		Forward/Rear	RN-xx-380 carriers	1	A-3297-M-117
			Rear-Rear	RR-xx-380 carriers		A-3297-S-97
100	Cones - Input shaft bearing	Inner		All	1	29685
		Outer				496
101	Cups - Input shaft	Inner		All	1	29620
		Outer				493
102	Oil Scoop - Helical gear cover			All	1	3221-H-8
103, 101, 102	Cover assembly - Helical gear			All except rear-rear with pump	1	A1-3266-B-834
103, 101, 102, 116, 117, 118, 119, 120, 127, 128, 129	Cover assembly - Helical gear			RR-xx-380 carrier (rear-rear) with oil pump	1	A-3266-L-792
104	Washer - gear cover to carrier			All	14	1229-C-1511
105	Capscrew - gear cover to carrier			All	14	S-2812-2
106	Spacers - Input shaft bearing	.326" / 8.28mm	Incl. in KIT 1554	All	Use 2 as req.	2203-U-7899
		.327" / 8.31mm				2203-V-7900
		.328" / 8.33mm				2203-X-7902
		.329" / 8.36mm				2203-W-7901
		.330" / 8.38mm				2203-Y-7903
		.331" / 8.41mm				2203-Z-7904
		.332" / 8.43mm				2203-A-7905
		.338" / 8.59mm				2203-B-7906
		.345" / 8.76mm				2203-C-7907
		.352" / 8.94mm				2203-D-7908
.359" / 9.12mm	2203-E-7909					
107	Gear - Helical drive			All	1	3892-F-4712
108	Cover - Input		Forward-Rear	RN-xx-380 carriers	1	3266-Y-831
			Rear-Rear	RN-xx-380 carriers		3266-T-982
109	Washer - Input cover			All	9	1229-K-1597
110	Capscrew - Input cover			All	9	S-2610-2
111	Oil seal - Input cover		Forward-Rear	RN-xx-380 carriers	1	4345V
			Rear-Rear	RN-xx-380 carriers		4810V OR 30007CR
112	Deflector - Input yoke		Available separately or as an assembly.	All	1	CALL YOUR SALES REP

PARTS LISTED IN THIS CATALOG ARE NOT NECESSARILY MANUFACTURED BY THE ORIGINAL EQUIPMENT MANUFACTURER AND ANY REFERENCE TO THE TRADEMARKS OR PART NUMBERS OF OTHERS ARE FOR CROSS REFERENCE INFORMATIONAL PURPOSES ONLY. THE TRADEMARKS OF OTHERS REFERRED TO HEREIN ARE OWNED BY THEIR RESPECTIVE COMPANIES AND ARE NOT AFFILIATED IN ANY WAY WITH MIDWEST TRUCK & AUTO PARTS, INC.® MOTIVE GEAR® AND WORLD AMERICAN® ARE THE REGISTERED TRADEMARKS OF MIDWEST TRUCK & AUTO PARTS, INC.® USE OF THE ® IN CONNECTION WITH A MARK OF MIDWEST TRUCK & AUTO PARTS, INC.® INDICATES THAT THE MARK IS REGISTERED IN AT LEAST THE UNITED STATES. NO REPRESENTATION IS MADE WITH RESPECT TO THE SOURCE OF MANUFACTURE OF ANY PARTICULAR PART. © 2005, MIDWEST TRUCK & AUTO PARTS, INC.® ALL RIGHTS RESERVED.

ROCKWELL® WORLD AXLE

FORWARD CARRIERS OF ALL TANDEM AXLES

REAR CARRIERS OF 380 SERIES

(DOUBLE-REDUCTION) AXLES (Cont'd)

ITEM	DESCRIPTION	REMARKS	CARRIER	QTY	PART NUMBER
113	Yoke & deflector assembly - input		All	1	
114	Washer - Input yoke & shaft	Forward-Rear	RN-xx-380 carriers	1	1229-N-1730
		Rear-Rear	RN-xx-380 carriers		1229-T-1736
115	Nut - Input yoke & shaft	Forward-Rear	RN-xx-380 carriers	1	1227-D-940
		Rear-Rear	RN-xx-380 carriers		1227-J-946

NOTE: ITEMS 116-129 ARE OIL PUMP COMPONENTS THAT ARE ONLY USED IN REAR CARRIERS

116	Tube - finished steel 11.88" long	3/8" OD x .032" wall		1	3196-U-21
117	Hose clamp			4	2257-S-1033
118	Hose 3/8" x 2"			1	2296-F-1098
119	Tube - finished steel .94" radius	3/8" OD x .032" wall		1	2296-B-106
120	O-Ring			1	5-X-585
121	Button - pump drive			1	2297-C-3799
122	Washer - oil pump bolt	11/32" ID x 5/8" OD		3	1229-E-1669
123	Bolt - oil pump	5/16" dia. x 2.24" long		3	S-2518-2
124	Bolt - oil pump	3/8" dia. x 2.25" long		1	S-2616-2
125	Washer - oil pump bolt	13/32" ID x 13/16" OD		1	1229-B-1666
126	Oil pump assembly			1	A-3303-M-13
127	Tube - finished steel .125" radius	7/16" OD x .032" wall		1	3196-T-20
128	Hose - 7/16" x 2"			1	2296-G-1099
129	Tube - finished steel 2" long	7/16" OD x .032" wall		1	2296-A-105

PARTS LISTED IN THIS CATALOG ARE NOT NECESSARILY MANUFACTURED BY THE ORIGINAL EQUIPMENT MANUFACTURER AND ANY REFERENCE TO THE TRADEMARKS OR PART NUMBERS OF OTHERS ARE FOR CROSS REFERENCE INFORMATIONAL PURPOSES ONLY. THE TRADEMARKS OF OTHERS REFERRED TO HEREIN ARE OWNED BY THEIR RESPECTIVE COMPANIES AND ARE NOT AFFILIATED IN ANY WAY WITH MIDWEST TRUCK & AUTO PARTS, INC.® MOTIVE GEAR® AND WORLD AMERICAN® ARE THE REGISTERED TRADEMARKS OF MIDWEST TRUCK & AUTO PARTS, INC.® USE OF THE ® IN CONNECTION WITH A MARK OF MIDWEST TRUCK & AUTO PARTS, INC.® INDICATES THAT THE MARK IS REGISTERED IN AT LEAST THE UNITED STATES. NO REPRESENTATION IS MADE WITH RESPECT TO THE SOURCE OF MANUFACTURE OF ANY PARTICULAR PART. © 2005, MIDWEST TRUCK & AUTO PARTS, INC.® ALL RIGHTS RESERVED.

ROCKWELL® WORLD AXLE
CARRIERS FOR 180/185/186 SERIES SINGLE AXLES & REARS OF
180/185/186 SERIES TANDEM AXLES

ITEM	DESCRIPTION	REMARKS	CARRIER	QTY	PART NUMBER
130	Nut - drive pinion		1381 & 1399	1	KIT 2638
			All others		40-X-1233
130A	Washer - pinion nut		All	1	1229-N-1730
131	Input yoke assembly & deflector		All	1	CALL YOUR SALES REP
132	Deflector - input yoke		All	1	3264-P-172
133	Oil seal - pinion bearing cage assy	Incl. in KIT 4435	All	1	4544V
134	Cone - drive pinion outer bearing		All	1	H-715334
135	Cup - drive pinion outer bearing		All	1	H-715311
136	Capscrew - pinion bearing cage		1381	8	41-X-1043
			All others		MS-212045-1
137	Washer - pinion bearing cage		1899	8	1229-D-4632
			All others		MWA-512
138, 135, 141	Pinion bearing cage assembly		1752 & 1753	1	A-3226-V-1010
			All except 1752 & 1753		A-3226-B-860
139	Shims - pinion bearing cage	Incl. in KIT 1592	All	Use 1 as req.	2803-Y-2755
	.003" / .075mm				2803-Z-2756
	.005" / .125mm				2803-A-2757
	.008" / .200mm				2803-B-2758
	.020" / .500mm				
140	Spacers - pinion bearing	Incl. in KIT 1593	All	Use 2 as req.	2803-D-2500
	.250" / 6.35mm				2803-E-2501
	.251" / 6.38mm				2803-F-2502
	.252" / 6.40mm				2803-N-2510
	.254" / 6.45mm				2803-H-2504
	.256" / 6.50mm				2803-J-2506
	.260" / 6.60mm				2803-K-2507
	.261" / 6.63mm				2803-L-2508
	.262" / 6.65mm				2803-M-2509
	.263" / 6.68mm				2803-P-2512
	.264" / 6.70mm				
141	Cup - drive pinion inner bearing	Incl. in KIT 4435	All	1	9220
142	Cone - drive pinion inner bearing		All	1	9278
143, 130	Drive gear, pinion & nut assembly	Use KIT 2608 bolt kit with these gearsets	All 180/185/186 series rear-rear carriers (except 3.07 and 3.73-4.30 ratios in	Use 1 as req.	B-41592-1
	2.93 ratio				B-40990-3
	3.08 ratio				B-41026-3
	3.21 ratio				B-41004-3
	3.42 ratio				

PARTS LISTED IN THIS CATALOG ARE NOT NECESSARILY MANUFACTURED BY THE ORIGINAL EQUIPMENT MANUFACTURER AND ANY REFERENCE TO THE TRADEMARKS OR PART NUMBERS OF OTHERS ARE FOR CROSS REFERENCE INFORMATIONAL PURPOSES ONLY. THE TRADEMARKS OF OTHERS REFERRED TO HEREIN ARE OWNED BY THEIR RESPECTIVE COMPANIES AND ARE NOT AFFILIATED IN ANY WAY WITH MIDWEST TRUCK & AUTO PARTS, INC.® MOTIVE GEAR® AND WORLD AMERICAN® ARE THE REGISTERED TRADEMARKS OF MIDWEST TRUCK & AUTO PARTS, INC.® USE OF THE ® IN CONNECTION WITH A MARK OF MIDWEST TRUCK & AUTO PARTS, INC.® INDICATES THAT THE MARK IS REGISTERED IN AT LEAST THE UNITED STATES. NO REPRESENTATION IS MADE WITH RESPECT TO THE SOURCE OF MANUFACTURE OF ANY PARTICULAR PART. © 2005, MIDWEST TRUCK & AUTO PARTS, INC.® ALL RIGHTS RESERVED.

ROCKWELL® WORLD AXLE

CARRIERS FOR 180/185/186 SERIES SINGLE AXLES & REARS OF

180/185/186 SERIES TANDEM AXLES (Cont'd)

ITEM	DESCRIPTION	REMARKS	CARRIER	QTY	PART NUMBER	
143, 130	Drive gear, pinion & nut assembly	3.58 ratio	Use KIT 2608 bolt kit with these gearsets	All 180/185/186 series rear-rear carriers	Use 1 as req.	B-41030-3
		3.73 ratio				B-41016-3
		3.91 ratio				B-41006-3
		4.10 ratio				B-41018-3
		4.30 ratio				B-41014-3
		4.56 ratio				B-41008-3
		4.89 ratio				B-41034-3
		5.13 ratio				B-41010-3
		5.38 ratio				B-41028-3
		5.63 ratio				B-41032-3
		5.86 ratio				B-41012-3
		6.14 ratio				B-41036-3
		6.43 ratio				B-41024-4
		6.83 ratio				B-41022-1
		7.17 ratio				B-41020-1
7.40 ratio	B-41002-1					
7.83 ratio	B-41650-1					
143 & 130	Drive gear, pinion & nut assembly	3.07 ratio		1752 & 1753	Use 1 as req.	B-41806-1
		3.73 ratio				A-40636-1
		3.91 ratio				A-40638-1
		4.10 ratio				A-40632-1
		4.30 ratio				A-40634-1
144	Bearing - drive pinion spigot	6.83, 7.17, 7.40 & 7.83 ratios only	All	1	MUC1309UM	
144A	Snap Ring - drive pinion spigot bearing	All other ratios			1	1229-K-1623
		All other ratios				1229-L-1624
145	Screw - thrust		1381	1	41-X-1020	
146	Nut - thrust screw jam		1752, 1839, 1910	1	15-X-1167	
			1381		40-X-1015	
			1752, 1839, 1910		1227-D-472	

PARTS LISTED IN THIS CATALOG ARE NOT NECESSARILY MANUFACTURED BY THE ORIGINAL EQUIPMENT MANUFACTURER AND ANY REFERENCE TO THE TRADEMARKS OR PART NUMBERS OF OTHERS ARE FOR CROSS REFERENCE INFORMATIONAL PURPOSES ONLY. THE TRADEMARKS OF OTHERS REFERRED TO HEREIN ARE OWNED BY THEIR RESPECTIVE COMPANIES AND ARE NOT AFFILIATED IN ANY WAY WITH MIDWEST TRUCK & AUTO PARTS, INC.® MOTIVE GEAR® AND WORLD AMERICAN® ARE THE REGISTERED TRADEMARKS OF MIDWEST TRUCK & AUTO PARTS, INC.® USE OF THE ® IN CONNECTION WITH A MARK OF MIDWEST TRUCK & AUTO PARTS, INC.® INDICATES THAT THE MARK IS REGISTERED IN AT LEAST THE UNITED STATES. NO REPRESENTATION IS MADE WITH RESPECT TO THE SOURCE OF MANUFACTURE OF ANY PARTICULAR PART. © 2005, MIDWEST TRUCK & AUTO PARTS, INC.® ALL RIGHTS RESERVED.

ROCKWELL® WORLD AXLE
CARRIERS FOR 180/185/186 SERIES SINGLE AXLES & REARS OF
180/185/186 SERIES TANDEM AXLES (Cont'd)

ITEM	DESCRIPTION	REMARKS	CARRIER	QTY	PART NUMBER
147	Differential carrier & cap assembly	Less diff. lock (3.07-4.30 ratios)	Malleable (original design)		KIT 2732
		Less diff. lock (4.56-7.40 ratios)			KIT 2732A
		Malleable less diff. lock	180 & early 185/186 series		A2-3200-J-1804
		Malleable with diff. lock			A2-3200-A-1899S
		Malleable with or without diff. lock	Current 185/186 series		A2-3200-K-1753
		With diff. lock (3.07-4.30 ratios)	Malleable (original design)		KIT 2731
		With diff. lock (4.56-7.40 ratios)			KIT 2731A
148	Washer - differential bearing cap		All	4	42-X-1024
149	Capscrew - differential bearing cup		Aluminum carriers	4	41-X-1037
			Malleable carriers		41-X-1018
150	Plug	Magnetic	All	Use 1 as req.	45-X-1008
		Plain			45-X-1003
151	Adjusting Ring	Left hand	1752 & 1753	1	2214-W-1011
		Left hand (small) 1804, 1899	All exc. 1752 & 1753		2214-G-1125
		Left hand (small) original design			2214-S-279
		Right hand	1752 & 1753		2214-X-1012
		Right hand (large) 1804, 1899	All exc. 1752 & 1753		2214-X-1137
		Right hand (large) original design			2214-Q-277
152	Cotter pin - adjusting ring left hand		All exc. 1752 & 1753	1	1199-R-2176
	Locking pin - adjusting ring		1752 & 1753		43-X-1015
153	Lock - adjusting ring right hand		All	1	1220-K-89
153A	Locking pin - adjusting ring		1752 & 1753	1	43-X-1015
	Locking pin - adjusting ring right hand		1899		1246-P-1134
154	Washer - adjusting ring lock		All	2	MWA-508
155	Capscrew - adjusting ring lock		All	2	MS-208020-1
156	Cover- special carrier			1	3266-M-897

PARTS LISTED IN THIS CATALOG ARE NOT NECESSARILY MANUFACTURED BY THE ORIGINAL EQUIPMENT MANUFACTURER AND ANY REFERENCE TO THE TRADEMARKS OR PART NUMBERS OF OTHERS ARE FOR CROSS REFERENCE INFORMATIONAL PURPOSES ONLY. THE TRADEMARKS OF OTHERS REFERRED TO HEREIN ARE OWNED BY THEIR RESPECTIVE COMPANIES AND ARE NOT AFFILIATED IN ANY WAY WITH MIDWEST TRUCK & AUTO PARTS, INC.® MOTIVE GEAR® AND WORLD AMERICAN® ARE THE REGISTERED TRADEMARKS OF MIDWEST TRUCK & AUTO PARTS, INC.® USE OF THE ® IN CONNECTION WITH A MARK OF MIDWEST TRUCK & AUTO PARTS, INC.® INDICATES THAT THE MARK IS REGISTERED IN AT LEAST THE UNITED STATES. NO REPRESENTATION IS MADE WITH RESPECT TO THE SOURCE OF MANUFACTURE OF ANY PARTICULAR PART. © 2005, MIDWEST TRUCK & AUTO PARTS, INC.® ALL RIGHTS RESERVED.

ROCKWELL® WORLD AXLE
CARRIERS FOR 180/185/186 SERIES SINGLE AXLES & REARS OF
180/185/186 SERIES TANDEM AXLES (Cont'd)

ITEM	DESCRIPTION		REMARKS	CARRIER	QTY	PART NUMBER
156A	Plug			1899	1	1250-U-1217
157	Washer - cover			Items 156 thru 160 for	4	MWA-506
158	Capscrew - cover			1381 & 1399 carriers	4	41-X-1080
159	Plug - special carrier capscrew			without differential lock	1	41-X-1022
160	Washer - plug				1	1229-U-1503
161	Cups - differential bearing	LH		1381, 1399, 1752 & 1753 only	1	JHM-720210
				All others		KIT 2744
		RH		1381, 1399, 1752 & 1753 only		64700
				All others		JM-822010
161A	Adhesive - bearing cap		Not shown - 2 tubes 5cc each. (One tube per bearing)	All	1	2297-T-4180
162	Cones - differential bearing	LH		1381, 1399, 1752 & 1753 only	1	JHM-720249
				All others		KIT 2744
		RH		1381, 1399, 1752 & 1753 only		64450
				All others		
163	Nut - differential case to gear			All	16	40-X-1182
164	Washer - plug			1899	16	1229-W-1557
				All others		1229-U-1503 (3)
165	Bolt - differential case to gear		Used in KIT 1594	All others (4)	16	41-X-1358
			Used in KIT 2608	1753, 1804, 1899		41-X-1334
166, 167, 168, 169, 170, 171, 172, 172A, 173	Differential case & nest assembly		2.93, 3.07, 3.21, 3.42, 3.58 ratios	1752 & 1753 with or without diff. lock (2.35" - 46 spline)	1	A1-3235-Y-2339
				1752 & 1753 with or without diff. lock (2.56" - 50 spline)		A2-3235-Y-2339
			2.93, 3.08, 3.21, 3.42,	1381 & 1399		A5-3235-F-1618
			3.58, 3.91, 4.10, 4.30 ratios	1791 & 1899 with diff. lock(2.35" - 46 spline)		A3-3235-K-2143
				1791 & 1899 with diff. lock (2.56" - 50 spline)		A7-3235-K-2143
				1804 less diff. lock (2.35" - 46 spline)		A2-3235-K-2143
				1804 less diff. lock		A5-3235-K-2143

(3) For 3200-C-1511, 3200-Z-1560, 3200-T-1658 & 3200-V-1660 use -6 gear sets, except for 6.83 ratio use -2 gear set.

PARTS LISTED IN THIS CATALOG ARE NOT NECESSARILY MANUFACTURED BY THE ORIGINAL EQUIPMENT MANUFACTURER AND ANY REFERENCE TO THE TRADEMARKS OR PART NUMBERS OF OTHERS ARE FOR CROSS REFERENCE INFORMATIONAL PURPOSES ONLY. THE TRADEMARKS OF OTHERS REFERRED TO HEREIN ARE OWNED BY THEIR RESPECTIVE COMPANIES AND ARE NOT AFFILIATED IN ANY WAY WITH MIDWEST TRUCK & AUTO PARTS, INC.® MOTIVE GEAR® AND WORLD AMERICAN® ARE THE REGISTERED TRADEMARKS OF MIDWEST TRUCK & AUTO PARTS, INC.® USE OF THE ® IN CONNECTION WITH A MARK OF MIDWEST TRUCK & AUTO PARTS, INC.® INDICATES THAT THE MARK IS REGISTERED IN AT LEAST THE UNITED STATES. NO REPRESENTATION IS MADE WITH RESPECT TO THE SOURCE OF MANUFACTURE OF ANY PARTICULAR PART. © 2005, MIDWEST TRUCK & AUTO PARTS, INC.® ALL RIGHTS RESERVED.

ROCKWELL® WORLD AXLE

CARRIERS FOR 180/185/186 SERIES SINGLE AXLES & REARS OF

180/185/186 SERIES TANDEM AXLES (Cont'd)

ITEM	DESCRIPTION	REMARKS	CARRIER	QTY	PART NUMBER
166,167, 168,169, 170,171, 172, 172A, 173	Differential case & neat assembly	3.73, 3.91, 4.10, 4.30 ratios	(2.56" - 50 spline) 1752 & 1753 with or without diff. lock (2.35" - 46 spline)		A1-3235-U-2335
			1752 & 1753 with or without diff. lock (2.56" - 50 spline)		A2-3235-U-2335
		4.56, 4.89, 5.13, 5.38, 5.63, 5.86, 6.14, 6.43, 6.83, 7.17, 7.40, 7.83 ratios	1381 & 1399		A3-3235-H-1620
			1752 & 1753 with or without diff. lock (2.35" - 46 spline)		A1-3235-W-2337
			1752 & 1753 with or without diff. lock (2.56" - 50 spline)		A2-3235-W-2337
			1791 & 1899 with diff. lock (2.35" - 46 spline)		A2-3235-M-2145
			1791 & 1899 with diff. lock (2.56" - 50 spline)		A7-3235-M-2145
			1804 less diff. lock (2.35" - 46 spline)		A3-3235-M-2145
	1804 less diff. lock (2.56" - 50 spline)	A5-3235-M-2145			
166, 172, 172A, 173	Differential case assembly	2.93, 3.07, 3.21, 3.42, 3.58 ratios	1752 & 1753 with or without diff. lock	1	A-3235-Y-2339
			1381 & 1399		A-3235-F-1618
		3.58, 3.91, 4.10, 4.30 ratios	1791 & 1899 with diff. lock		A1-3235-K-2143
			1804 less diff. lock		A-3235-K-2143
		3.73, 3.91, 4.10, 4.30 ratios	1752 & 1753 with or without diff. lock		A-3235-U-2335
		4.56, 4.89, 5.13, 5.38,	1381 & 1399		A-3235-H-1620
		5.63, 5.86, 6.14, 6.43	1752 & 1753 with or		A-3235-W-2337
		6.83, 7.17, 7.40, 7.83 ratios	without diff. lock		
	1791 & 1899 with diff. lock	A-3235-M-2145			
166, 172, 172A 173 173A	Differential case & NoSPIN assembly	2.93, 3.08, 3.21, 3.42,	1381 & 1399	1	A6-3235-F-1618
		3.58, 3.91, 4.10, 4.30 ratios	1804 less diff. lock (2.35" - 46 spline)		A4-3235-K-2143

PARTS LISTED IN THIS CATALOG ARE NOT NECESSARILY MANUFACTURED BY THE ORIGINAL EQUIPMENT MANUFACTURER AND ANY REFERENCE TO THE TRADEMARKS OR PART NUMBERS OF OTHERS ARE FOR CROSS REFERENCE INFORMATIONAL PURPOSES ONLY. THE TRADEMARKS OF OTHERS REFERRED TO HEREIN ARE OWNED BY THEIR RESPECTIVE COMPANIES AND ARE NOT AFFILIATED IN ANY WAY WITH MIDWEST TRUCK & AUTO PARTS, INC.® MOTIVE GEAR® AND WORLD AMERICAN® ARE THE REGISTERED TRADEMARKS OF MIDWEST TRUCK & AUTO PARTS, INC.® USE OF THE ® IN CONNECTION WITH A MARK OF MIDWEST TRUCK & AUTO PARTS, INC.® INDICATES THAT THE MARK IS REGISTERED IN AT LEAST THE UNITED STATES. NO REPRESENTATION IS MADE WITH RESPECT TO THE SOURCE OF MANUFACTURE OF ANY PARTICULAR PART. © 2005, MIDWEST TRUCK & AUTO PARTS, INC.® ALL RIGHTS RESERVED.

ROCKWELL® WORLD AXLE

CARRIERS FOR 180/185/186 SERIES SINGLE AXLES & REARS OF

180/185/186 SERIES TANDEM AXLES (Cont'd)

ITEM	DESCRIPTION	REMARKS	CARRIER	QTY	PART NUMBER
166, 172, 172A, 173, 173A	Differential case & NoSPIN assembly	4.56, 4.89, 5.13, 5.38, 5.63, 5.86, 6.14, 6.43, 6.83, 7.17, 7.40, 7.83 ratios	1381 & 1399	1	A5-3235-H-1620
			1804 less diff. lock (2.35" - 46 spline)		A4-3235-M-2145
			1804 less diff. lock (2.56" - 50 spline)		A6-3235-M-2145
167	Thrust washer - side gear		All	2	1229-L-3002
168	Side gear - differential		2.35" - 46 spline	2	2234-C-1069
			2.56" - 50 spline	1	2234-P-1004
169	Thrust washer - differential pinion		All	4	1229-K-3001
170	Gear - differential pinion		All	4	2233-M-1001
171	Spider - differential		All	1	3278-W-335
172	Capscrew - differential case		All others	12	41-X-1275
			Thru-bolt design	4	41-X-1109
				8	41-X-1275
172A	Thread locking liquid	Use on Item 172	All	1	2297-C-7049
172B	Nut		1899	4	40-X-1182
173	Washer		1899	16	1229-W-1557
			All others	12	1229-U-1503
173A	NoSPIN Assembly		2.35" - 46 spline	1	A-3230-C-1043
			2.56" - 50 spline		A-3230-A-1041

NOTE: ITEMS 174-194 ARE FOR CARRIERS WITH DIFFERENTIAL LOCK

174	Shift Collar		2.35" - 46 spline	1	1752 & 1753	3107-A-1041
					All others	3107-L-1104
			2.37" - 46 spline		1381 & 1399	3107-Z-78
			2.56" - 50 spline		1752 & 1753	3107-V-1010
175	Shift fork	One pc. style		1	1381, 1399, 1791	3296-N-1184
					1752 & 1753	3296-A-1197
					1899	3296-D-1174
176	Pin - Shift fork	Used with 3 pc. style fork (3296-V-178)	1381 & 1399	2		43-X-1007
			All others		0	Not used
177	Spring - Shift shaft		1899	1		2258-N-1262
			All others			2258-L-714

PARTS LISTED IN THIS CATALOG ARE NOT NECESSARILY MANUFACTURED BY THE ORIGINAL EQUIPMENT MANUFACTURER AND ANY REFERENCE TO THE TRADEMARKS OR PART NUMBERS OF OTHERS ARE FOR CROSS REFERENCE INFORMATIONAL PURPOSES ONLY. THE TRADEMARKS OF OTHERS REFERRED TO HEREIN ARE OWNED BY THEIR RESPECTIVE COMPANIES AND ARE NOT AFFILIATED IN ANY WAY WITH MIDWEST TRUCK & AUTO PARTS, INC.® MOTIVE GEAR® AND WORLD AMERICAN® ARE THE REGISTERED TRADEMARKS OF MIDWEST TRUCK & AUTO PARTS, INC.® USE OF THE ® IN CONNECTION WITH A MARK OF MIDWEST TRUCK & AUTO PARTS, INC.® INDICATES THAT THE MARK IS REGISTERED IN AT LEAST THE UNITED STATES. NO REPRESENTATION IS MADE WITH RESPECT TO THE SOURCE OF MANUFACTURE OF ANY PARTICULAR PART. © 2005, MIDWEST TRUCK & AUTO PARTS, INC.® ALL RIGHTS RESERVED.

ROCKWELL® WORLD AXLE

CARRIERS FOR 180/185/186 SERIES SINGLE AXLES & REARS OF

180/185/186 SERIES TANDEM AXLES (Cont'd)

ITEM	DESCRIPTION	REMARKS	CARRIER	QTY	PART NUMBER
178	Shift shaft		1752 & 1753	1	2244-Z-52
			1899		2244-V-1114
			All others		2244-Y-51
179	Pin - Shift shaft		1899	0	Not used
			All others		43-X-1006
180	Washer - piston		1752, 1753 & 1899	0	Not used
			All others		42-X-1027
181	Tube - air cylinder		1899	1	3261-A-1067
			All others		3196-F-32
182	Piston		1899	1	2230-T-1190
			All others		2230-N-170
183	O-Ring		1899	1	5-X-1198
			All others		5-X-1153
184	Gasket - Cylinder cover		1899	0	Not used
			All others		2208-H-944
185	Capscrew - manual engaging (shipping)		1899	1	41-X-1368
			All others		41-X-1333
185A	O-Ring		1899	1	5-X-521
186	Cover cylinder		1899	0	See Item 181
			All others		3266-F-1020
187	Capscrew - Cylinder cover		1899	0	Not used
			All others		41-X-1364
188	Washer - Cylinder cover		1899	0	Not used
			All others		MWA-506
189	Gasket - plug		1899	0	Not used
			All others		2208-L-1000
190	Plug - Cylinder cover		1899	0	Not used
			All others		MS-210016-1
191	Switch - sensor		All	1	3237-W-1167
191A	Washer - sensor switch		1752 & 1753	2	1229-U-1503
192	Nut - sensor switch		1752, 1753 & 1899	0	Not used
			All others		1227-P-1056
193	Adaptor - Cylinder cover	Converts old metric covers to use American standard threads.		1	No longer available
194	Gasket - Adapter	Only used with Item 193		1	2208-L-1000

PARTS LISTED IN THIS CATALOG ARE NOT NECESSARILY MANUFACTURED BY THE ORIGINAL EQUIPMENT MANUFACTURER AND ANY REFERENCE TO THE TRADEMARKS OR PART NUMBERS OF OTHERS ARE FOR CROSS REFERENCE INFORMATIONAL PURPOSES ONLY. THE TRADEMARKS OF OTHERS REFERRED TO HEREIN ARE OWNED BY THEIR RESPECTIVE COMPANIES AND ARE NOT AFFILIATED IN ANY WAY WITH MIDWEST TRUCK & AUTO PARTS, INC.® MOTIVE GEAR® AND WORLD AMERICAN® ARE THE REGISTERED TRADEMARKS OF MIDWEST TRUCK & AUTO PARTS, INC.® USE OF THE ® IN CONNECTION WITH A MARK OF MIDWEST TRUCK & AUTO PARTS, INC.® INDICATES THAT THE MARK IS REGISTERED IN AT LEAST THE UNITED STATES. NO REPRESENTATION IS MADE WITH RESPECT TO THE SOURCE OF MANUFACTURE OF ANY PARTICULAR PART. © 2005, MIDWEST TRUCK & AUTO PARTS, INC.® ALL RIGHTS RESERVED.

ROCKWELL® WORLD AXLE

CARRIERS FOR 180/185/186 SERIES SINGLE AXLES & REARS OF

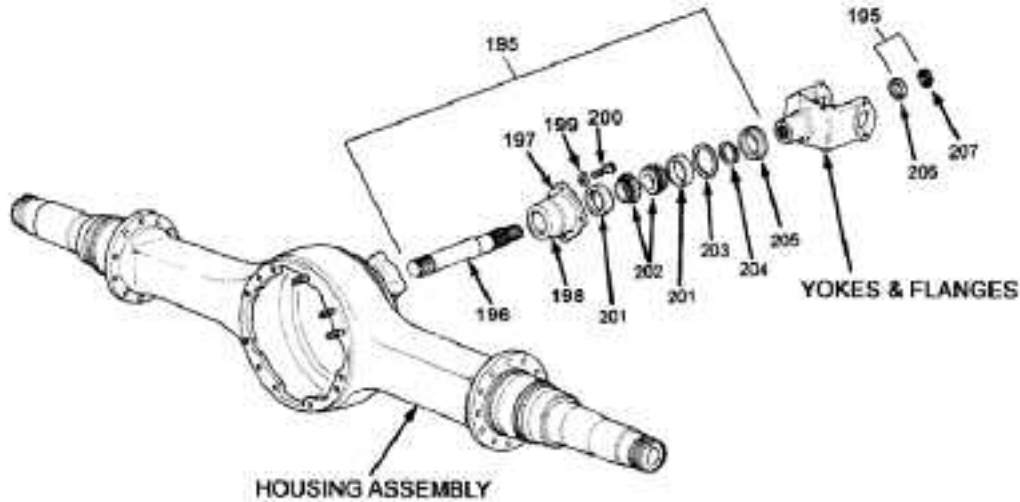
180/185/186 SERIES TANDEM AXLES (Cont'd)

ITEM	DESCRIPTION	REMARKS	CARRIER	QTY	PART NUMBER
194A	Cover - Cylinder hole		For carriers with DCDL	1	3266-M-897
194B	Capscrew - Cylinder hole cover		bolt holes, but less	4	41-X-1080
194C	Washer - Cylinder hole cover		DCDL	4	MWA-416

PARTS LISTED IN THIS CATALOG ARE NOT NECESSARILY MANUFACTURED BY THE ORIGINAL EQUIPMENT MANUFACTURER AND ANY REFERENCE TO THE TRADEMARKS OR PART NUMBERS OF OTHERS ARE FOR CROSS REFERENCE INFORMATIONAL PURPOSES ONLY. THE TRADEMARKS OF OTHERS REFERRED TO HEREIN ARE OWNED BY THEIR RESPECTIVE COMPANIES AND ARE NOT AFFILIATED IN ANY WAY WITH MIDWEST TRUCK & AUTO PARTS, INC.® MOTIVE GEAR® AND WORLD AMERICAN® ARE THE REGISTERED TRADEMARKS OF MIDWEST TRUCK & AUTO PARTS, INC.® USE OF THE ® IN CONNECTION WITH A MARK OF MIDWEST TRUCK & AUTO PARTS, INC.® INDICATES THAT THE MARK IS REGISTERED IN AT LEAST THE UNITED STATES. NO REPRESENTATION IS MADE WITH RESPECT TO THE SOURCE OF MANUFACTURE OF ANY PARTICULAR PART. © 2005, MIDWEST TRUCK & AUTO PARTS, INC.® ALL RIGHTS RESERVED.

ROCKWELL® WORLD AXLE

OUTPUT (THRU) SHAFT ASSEMBLY PARTS

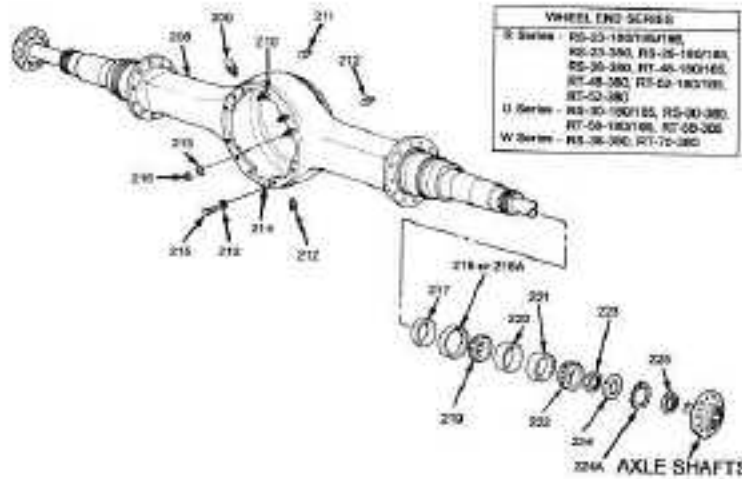


ITEM	DESCRIPTION	REMARKS	AXLE MODEL	QTY	PART NUMBER
195, 196, 198, 201, 202, 203, 204, 205, 206, 207	Output (thru) shaft, bearing cage and seal assembly		All	1	A1-3226-Q-901
196	Shaft - output (thru)		All	1	3297-W-75
197	Silastic gasket material (not shown)	Use as gasket for Item 198	All	1	2297-A-7021
198	Bearing cage & inner cup assembly	Includes one piece of Item 201	All	1	A-3226-Q-901
199	Washer - output bearing cage		All	6	1229-E-1513
200	Capscrew - output bearing cage		All others	6	S-2711-2
			RT-70-380		S-2710-2
201	Cups - inner & outer output bearing		All	2	382A
202	Cones - inner & outer output bearing		All	2	385A
203	Snap Ring (spacer) output bearing	Incl. in KIT 1536	All	Use 1 as req.	1229-L-2430
					1229-M-2431
					1229-N-2432
					1229-P-2434
					1229-Q-2435
					1229-R-2436
					1229-S-2437
					1229-T-2438
					1229-U-2439
204	Snap ring spacer - output bearing yoke		All	1	1229-T-3062
205	Oil seal assembly		All	1	415013N
206	Washer - output yoke and shaft		All	1	1229-T-1736
207	Nut - output yoke and shaft		All	1	1227-J-946

PARTS LISTED IN THIS CATALOG ARE NOT NECESSARILY MANUFACTURED BY THE ORIGINAL EQUIPMENT MANUFACTURER AND ANY REFERENCE TO THE TRADEMARKS OR PART NUMBERS OF OTHERS ARE FOR CROSS REFERENCE INFORMATIONAL PURPOSES ONLY. THE TRADEMARKS OF OTHERS REFERRED TO HEREIN ARE OWNED BY THEIR RESPECTIVE COMPANIES AND ARE NOT AFFILIATED IN ANY WAY WITH MIDWEST TRUCK & AUTO PARTS, INC.® MOTIVE GEAR® AND WORLD AMERICAN® ARE THE REGISTERED TRADEMARKS OF MIDWEST TRUCK & AUTO PARTS, INC.® USE OF THE ® IN CONNECTION WITH A MARK OF MIDWEST TRUCK & AUTO PARTS, INC.® INDICATES THAT THE MARK IS REGISTERED IN AT LEAST THE UNITED STATES. NO REPRESENTATION IS MADE WITH RESPECT TO THE SOURCE OF MANUFACTURE OF ANY PARTICULAR PART. © 2005, MIDWEST TRUCK & AUTO PARTS, INC.® ALL RIGHTS RESERVED.

ROCKWELL® WORLD AXLE

OUTPUT (THRU) SHAFT ASSEMBLY PARTS (Cont'd)



ITEM	DESCRIPTION	REMARKS	AXLE OR WHEEL END	QTY	PART NUMBER
208	Axle housing assembly		All	1	As specified
209	Breather assembly - housing		All	1	A-1199-P-1394
210	Stud - housing to carrier	All others	Total of five studs required	2	4-X-1051
				2	SN-1036-1
				1	SN-1020-1
		4	4-X-1445		
		Single and tandem rears of 180/185/186 series axles			
211	Plug - heat indicator		All	1	P-28S
212	Plug - oil fill & drain		Magnetic	2	1250-E-473
			Standard		P-212
213	Washer - carrier to housing		All	14	1229-U-1503
214	Silastic gasket material		All	1	2297-A-7021
215	Capscrew - carrier to housing	All others		9	S-21016-2
				4	S-21018-2
		6		S-21038-2	
		4		10-X-1595	
		2		10-X-1597	
Single and tandem rears of 180 series axles					
Single and tandem rears of RS185/186 or RR185 with 1752 or 1753 carriers					
216	Nut - carrier to housing	All others		5	N-110-1
		Single and tandem rears of 180/185/186 series axles		4	N-110-1
217	Wiper - housing spindle oil seal	Optional item. Use with standard oil seal	R	2	1199-B-1666
			U		1244-U-879
			W		2245-E-31

PARTS LISTED IN THIS CATALOG ARE NOT NECESSARILY MANUFACTURED BY THE ORIGINAL EQUIPMENT MANUFACTURER AND ANY REFERENCE TO THE TRADEMARKS OR PART NUMBERS OF OTHERS ARE FOR CROSS REFERENCE INFORMATIONAL PURPOSES ONLY. THE TRADEMARKS OF OTHERS REFERRED TO HEREIN ARE OWNED BY THEIR RESPECTIVE COMPANIES AND ARE NOT AFFILIATED IN ANY WAY WITH MIDWEST TRUCK & AUTO PARTS, INC.® MOTIVE GEAR® AND WORLD AMERICAN® ARE THE REGISTERED TRADEMARKS OF MIDWEST TRUCK & AUTO PARTS, INC.® USE OF THE ® IN CONNECTION WITH A MARK OF MIDWEST TRUCK & AUTO PARTS, INC.® INDICATES THAT THE MARK IS REGISTERED IN AT LEAST THE UNITED STATES. NO REPRESENTATION IS MADE WITH RESPECT TO THE SOURCE OF MANUFACTURE OF ANY PARTICULAR PART. © 2005, MIDWEST TRUCK & AUTO PARTS, INC.® ALL RIGHTS RESERVED.

ROCKWELL® WORLD AXLE
CARRIERS FOR 180/185/186 SERIES SINGLE AXLES & REARS OF
180/185/186 SERIES TANDEM AXLES (Cont'd)

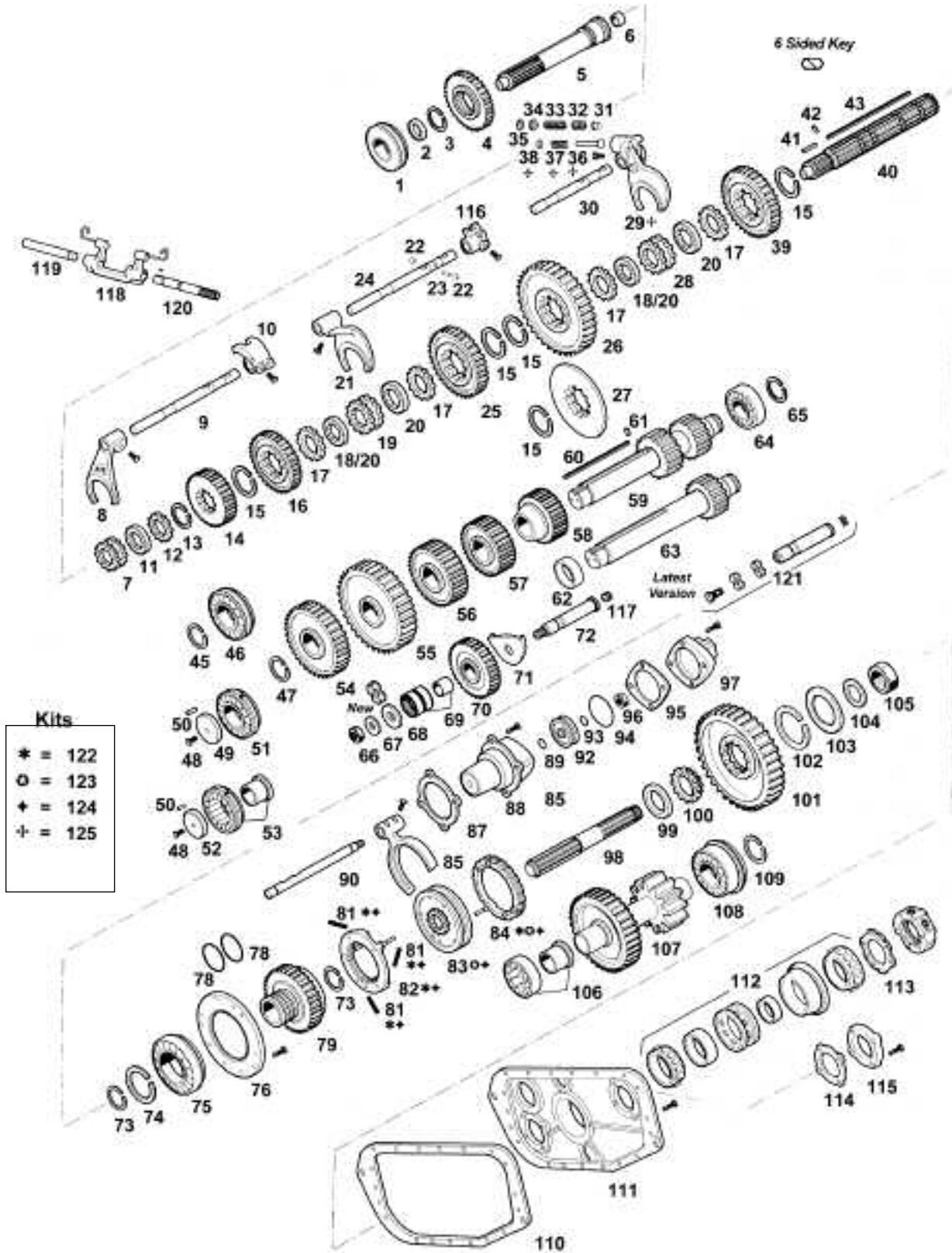
ITEM	DESCRIPTION	REMARKS	CARRIER	QTY	PART NUMBER
218	Oil seal assembly inner	Standard oil seal, use with Item 217	U	2	370120A
			W		415072
218A	Oil seal assembly	Unitized oil seal (wiper built in)	R	2	A-1205-R-2410
219	Cone - inner wheel bearing		R	2	598A
			U & W		782
220	Cup - inner wheel bearing		R	2	592A
			U & W		772
221	Cup - outer wheel bearing		R	2	572
			U		742
			W		6535
222	Cone - outer wheel bearing		R	2	580
			U		749
			W		6580
223	Nut - inner wheel bearing adjuster		R & U	2	1227-W-517
			W		1227-A-547
224	Lockwasher - adjuster nut		R & U	2	1229-F-4634S (5)
			W		1229-V-48
224A	Washer - tanged lock		R & U	2	1229-F-4634S (5)
225	Nut - outer wheel bearing (jam)		R & U	2	1227-R-330
			W		1227-F-448

(5) For use with carriers built prior to 9/1/88.

PARTS LISTED IN THIS CATALOG ARE NOT NECESSARILY MANUFACTURED BY THE ORIGINAL EQUIPMENT MANUFACTURER AND ANY REFERENCE TO THE TRADEMARKS OR PART NUMBERS OF OTHERS ARE FOR CROSS REFERENCE INFORMATIONAL PURPOSES ONLY. THE TRADEMARKS OF OTHERS REFERRED TO HEREIN ARE OWNED BY THEIR RESPECTIVE COMPANIES AND ARE NOT AFFILIATED IN ANY WAY WITH MIDWEST TRUCK & AUTO PARTS, INC.® MOTIVE GEAR® AND WORLD AMERICAN® ARE THE REGISTERED TRADEMARKS OF MIDWEST TRUCK & AUTO PARTS, INC.® USE OF THE ® IN CONNECTION WITH A MARK OF MIDWEST TRUCK & AUTO PARTS, INC.® INDICATES THAT THE MARK IS REGISTERED IN AT LEAST THE UNITED STATES. NO REPRESENTATION IS MADE WITH RESPECT TO THE SOURCE OF MANUFACTURE OF ANY PARTICULAR PART. © 2005, MIDWEST TRUCK & AUTO PARTS, INC.® ALL RIGHTS RESERVED.

FULLER[®] 7 SPEED / 8 SPEED

MODELS RTO-11607L, RT-11608, 14608



- Kits**
- * = 122
 - O = 123
 - + = 124
 - + = 125

PARTS LISTED IN THIS CATALOG ARE NOT NECESSARILY MANUFACTURED BY THE ORIGINAL EQUIPMENT MANUFACTURER AND ANY REFERENCE TO THE TRADEMARKS OR PART NUMBERS OF OTHERS ARE FOR CROSS REFERENCE INFORMATIONAL PURPOSES ONLY. THE TRADEMARKS OF OTHERS REFERRED TO HEREIN ARE OWNED BY THEIR RESPECTIVE COMPANIES AND ARE NOT AFFILIATED IN ANY WAY WITH MIDWEST TRUCK & AUTO PARTS, INC.[®] MOTIVE GEAR[®] AND WORLD AMERICAN[®] ARE THE REGISTERED TRADEMARKS OF MIDWEST TRUCK & AUTO PARTS, INC.[®] USE OF THE ® IN CONNECTION WITH A MARK OF MIDWEST TRUCK & AUTO PARTS, INC.[®] INDICATES THAT THE MARK IS REGISTERED IN AT LEAST THE UNITED STATES. NO REPRESENTATION IS MADE WITH RESPECT TO THE SOURCE OF MANUFACTURE OF ANY PARTICULAR PART. © 2005, MIDWEST TRUCK & AUTO PARTS, INC.[®] ALL RIGHTS RESERVED.

FULLER®

7 SPEED / 8 SPEED

FIG.	PART#	DESCRIPTION	RTO-11607L SERIES	RT-11608 SERIES	14608 SERIES
1	212SLV	BEARING	X	X	X
2	16396	SPACER	X		
2	16463	SPACER		X	X
3	14289	SNAP RING	X		
3	14750	SNAP RING		X	X
4	19158	GEAR MAIN DRIVE	X		
4	21026	GEAR MAIN DRIVE		X	X
5	INPUT SHAFTS (SEE PGS. 318-319)				
6	16566	BUSHING	X	X	X
7	14654	SLIDING CLUTCH	X		
7	16118	SLIDING CLUTCH		X	X
8	19878	SHIFT YOKE	X		
8	16136	SHIFT YOKE		X	X
9	19988	YOKE BAR	X		
9	16134	YOKE BAR		X	X
10	19078	SHIFTING BLOCK	X		
10	14659	SHIFTING BLOCK		X	X
11	14274	WASHER S.6, 299-6, 350 MM (WHITE)	X		
11	14275	WASHER S.6, 426-6, 477 MM (GREEN)	X		
11	14276	WASHER S.6, 553-6, 604 MM (ORANGE)	X		
11	14277	WASHER S.6, 680-6, 731 MM (PURPLE)	X		
11	14278	WASHER S.6, 807-6, 858 MM (YELLOW)	X		
11	14279	WASHER S.6, 934-6, 985 MM (BLACK)	X		
11	14711	WASHER S.6, 299-6, 350 MM (WHITE)		X	X
11	14712	WASHER S.6, 426-6, 477 MM (GREEN)		X	X
11	14713	WASHER S.6, 553-6, 604 MM (ORANGE)		X	X
11	14714	WASHER S.6, 680-6, 731 MM (PURPLE)		X	X
11	14715	WASHER S.6, 807-6, 858 MM (YELLOW)		X	X
11	14716	WASHER S.6, 934-6, 985 MM (BLACK)		X	X
12	14273	SPACER	X		
12	14749	SPACER		X	X
13	14289	SNAP RING	X		
13	14750	SNAP RING		X	X
14	19182	GEAR M/S	X		
14	21023	GEAR M/S 52T		X	X
15	14750	SNAP RING	X	X	X
16	19612	GEAR M/S	X		
16	19622	GEAR M/S 2ND SPEED 50T		X	X
17	14749	SPACER	X	X	X
18	14711	WASHER S.6, 299-6, 350 MM	X		
19	14709	SLIDING CLUTCH	X		
19	16118	SLIDING CLUTCH		X	X

PARTS LISTED IN THIS CATALOG ARE NOT NECESSARILY MANUFACTURED BY THE ORIGINAL EQUIPMENT MANUFACTURER AND ANY REFERENCE TO THE TRADEMARKS OR PART NUMBERS OF OTHERS ARE FOR CROSS REFERENCE INFORMATIONAL PURPOSES ONLY. THE TRADEMARKS OF OTHERS REFERRED TO HEREIN ARE OWNED BY THEIR RESPECTIVE COMPANIES AND ARE NOT AFFILIATED IN ANY WAY WITH MIDWEST TRUCK & AUTO PARTS, INC.® MOTIVE GEAR® AND WORLD AMERICAN® ARE THE REGISTERED TRADEMARKS OF MIDWEST TRUCK & AUTO PARTS, INC.® USE OF THE ® IN CONNECTION WITH A MARK OF MIDWEST TRUCK & AUTO PARTS, INC.® INDICATES THAT THE MARK IS REGISTERED IN AT LEAST THE UNITED STATES. NO REPRESENTATION IS MADE WITH RESPECT TO THE SOURCE OF MANUFACTURE OF ANY PARTICULAR PART. © 2005, MIDWEST TRUCK & AUTO PARTS, INC.® ALL RIGHTS RESERVED.

FULLER®

7 SPEED / 8 SPEED (Cont'd)

FIG.	PART#	DESCRIPTION	RTO-11607L SERIES	RT-11608 SERIES	14608 SERIES
20	14711	WASHER S.6, 299-6, 350 MM (WHITE)	X	X	X
20	14712	WASHER S.6, 426-6, 477 MM (GREEN)	X	X	X
20	14713	WASHER S.6, 553-6, 604 MM (ORANGE)	X	X	X
20	14714	WASHER S.6, 680-6, 731 MM (PURPLE)	X	X	X
20	14715	WASHER S.6, 807-6, 858 MM (YELLOW)	X	X	X
20	14716	WASHER S.6, 934-6, 985 MM (BLACK)	X	X	X
21	16135	SHIFT YOKE 2ND	X	X	X
22	X-14-1200	BALL	X	X	X
23	1634	PIN	X	X	X
24	19987	YOKE BAR	X		
24	16133	YOKE BAR		X	X
25	19177	GEAR M/S	X		
25	21024	GEAR M/S 1ST SPEED 60T		X	X
26	19082	GEAR M/S	X		
27	16288	STOP MAINSHAFT GEAR		X	X
28	14709	SLIDING CLUTCH	X		
28	16118	SLIDING CLUTCH		X	X
29	19809	REVERSE YOKE	X		
29	16131	REVERSE YOKE		X	X
30	19986	YOKE BAR	X		
30	16132	YOKE BAR		X	X
31	19790	PLUG	X		
32	19791	SPRING	X		
33	19838	SPRING	X		
34	19792	RETAINER	X		
35	19793	SNAP RING	X		
36	10019	PIN		X	X
37	6392	SPRING		X	X
38	8968	PLUG		X	X
39	19313	GEAR M/S	X		
39	16949	GEAR M/S 46T		X	X
40	S-1411	MAIN SHAFT ASSY	X		
40	S-1341	MAIN SHAFT ASSY 17T		X	X
41	A-3456	KEY & PIN ASSY	X		
42	62511	PIN	X		
42	62504	PIN 3X16		X	X
43	19314	KEY	X		
43	17109	KEY		X	X
45	15253	SNAP RING	X		
46	1309L	BEARING	X		
47	20085	SNAP RING	X		
47	19198	SNAP RING		X	X

PARTS LISTED IN THIS CATALOG ARE NOT NECESSARILY MANUFACTURED BY THE ORIGINAL EQUIPMENT MANUFACTURER AND ANY REFERENCE TO THE TRADEMARKS OR PART NUMBERS OF OTHERS ARE FOR CROSS REFERENCE INFORMATIONAL PURPOSES ONLY. THE TRADEMARKS OF OTHERS REFERRED TO HEREIN ARE OWNED BY THEIR RESPECTIVE COMPANIES AND ARE NOT AFFILIATED IN ANY WAY WITH MIDWEST TRUCK & AUTO PARTS, INC.® MOTIVE GEAR® AND WORLD AMERICAN® ARE THE REGISTERED TRADEMARKS OF MIDWEST TRUCK & AUTO PARTS, INC.® USE OF THE ® IN CONNECTION WITH A MARK OF MIDWEST TRUCK & AUTO PARTS, INC.® INDICATES THAT THE MARK IS REGISTERED IN AT LEAST THE UNITED STATES. NO REPRESENTATION IS MADE WITH RESPECT TO THE SOURCE OF MANUFACTURE OF ANY PARTICULAR PART. © 2005, MIDWEST TRUCK & AUTO PARTS, INC.® ALL RIGHTS RESERVED.

FULLER®

7 SPEED / 8 SPEED (Cont'd)

FIG.	PART#	DESCRIPTION	RTO-11607L SERIES	RT-11608 SERIES	14608 SERIES
48	X-7-1005	BOLT 5/8"		X	X
49	19548	LOCKING DISK		X	
50	62511	PIN		X	X
51	1309L	BEARING		X	
52	19548	LOCKING DISK		X	X
53	MS1309GEXR	BEARING		X	
53	207L	BEARING			X
54	20133	GEAR M/S	X		
54	21262	GEAR C/S 73T		X	X
55	14307	GEAR C/S LH (LEFT)	X		
55	14886	GEAR C/S LH (RIGHT)	X		
55	15953	GEAR C/S PTO 47T, LH PTO (LEFT)		X	X
55	20840	GEAR C/S PTO 45T, RH PTO (RIGHT)		X	X
56	19181	GEAR C/S	X		
56	21018	GEAR C/S 66T		X	X
57	19613	GEAR C/S	X		
57	21264	GEAR C/S 46T		X	X
58	19178	GEAR C/S	X		
58	21025	GEAR C/S 1ST 39T		X	X
59	20134	COUNTERSHAFT	X		
60	16664	KEY	X		
60	19258	KEY		X	X
61	62511	PIN	X		
62	19197	SPACER		X	X
63	19550	COUNTERSHAFT		X	X
64	MU1308TV	BEARING	X	X	X
65	14317	SNAP RING	X	X	X
66	X-1-1008	NUT	X	X	X
67	14283	WASHER	X	X	X
68	14282	WASHER - (OLD)	X	X	X
68	4302982	WASHER - (NEW)	X	X	X
69	FWA1830	BEARING	X	X	X
70	16757	REVERSE GEAR 27T	X		
70	16953	REVERSE GEAR 29T		X	X
71	16403	WASHER	X		
71	19288	WASHER		X	X
72	16405	REVERSE GEAR PIN	X	X	X
73	16763	SNAP RING	X	X	X
74	16628	SNAP RING	X	X	X
75	118L	BEARING	X	X	X
76	16138	RETAINER RING	X	X	X
78	17453	RETAINER RING	X	X	X

PARTS LISTED IN THIS CATALOG ARE NOT NECESSARILY MANUFACTURED BY THE ORIGINAL EQUIPMENT MANUFACTURER AND ANY REFERENCE TO THE TRADEMARKS OR PART NUMBERS OF OTHERS ARE FOR CROSS REFERENCE INFORMATIONAL PURPOSES ONLY. THE TRADEMARKS OF OTHERS REFERRED TO HEREIN ARE OWNED BY THEIR RESPECTIVE COMPANIES AND ARE NOT AFFILIATED IN ANY WAY WITH MIDWEST TRUCK & AUTO PARTS, INC.® MOTIVE GEAR® AND WORLD AMERICAN® ARE THE REGISTERED TRADEMARKS OF MIDWEST TRUCK & AUTO PARTS, INC.® USE OF THE ® IN CONNECTION WITH A MARK OF MIDWEST TRUCK & AUTO PARTS, INC.® INDICATES THAT THE MARK IS REGISTERED IN AT LEAST THE UNITED STATES. NO REPRESENTATION IS MADE WITH RESPECT TO THE SOURCE OF MANUFACTURE OF ANY PARTICULAR PART. © 2005, MIDWEST TRUCK & AUTO PARTS, INC.® ALL RIGHTS RESERVED.

FULLER®

7 SPEED / 8 SPEED (Cont'd)

FIG.	PART#	DESCRIPTION	RTO-11607L SERIES	RT-11608 SERIES	14608 SERIES
79	K-1787	AUX. DRIVE GEAR KIT 40T	X	X	X
81	14897	SPRING	X	X	X
82	A-4938	SYNCHRONIZER RING	X	X	X
83	16759	SLIDING CLUTCH - (OLD)	X	X	X
83	20323	SLIDING CLUTCH - (NEW)	X	X	X
84	A-4416	SYNCHRONIZER RING - (OLD)	X	X	X
84	A-4937	SYNCHRONIZER RING - (NEW)	X	X	X
85	16775	SHIFT YOKE	X	X	X
87	14347	GASKET	X	X	X
88	16778	CYLINDER	X	X	X
89	14765	O-RING	X	X	X
90	19652	YOKE BAR	X		X
90	16993	YOKE BAR		X	
92	14341	PISTON	X	X	X
93	14345	O-RING	X	X	X
94	14344	O-RING	X	X	X
95	14349	GASKET	X	X	X
96	X-1-1010	NUT	X	X	X
97	19690	CYLINDER COVER	X	X	X
98	19202	OUTPUT SHAFT	X		X
98	19281	OUTPUT SHAFT 18T		X	
99	14332	WASHER		X	
100	19203	SPACER	X		X
100	14331	SPACER		X	
101	19277	GEAR 42T	X		
101	19665	GEAR 48T		X	
101	19667	GEAR 48T			X
102	14327	SNAP RING		X	
103	16772	WASHER	X		X
103	19466	WASHER		X	
104	16337	WASHER S.4, 76 MM	X		X
105	22254	NUT	X	X	X
106	MR1307EL	BEARING D.80X35X21	X	X	X
107	A-4659	COUNTERSHAFT ASSY	X		
107	A-4727	COUNTERSHAFT ASSY		X	
107	A-4728	COUNTERSHAFT ASSY			X
108	1311L	BEARING	X		
108	1310L	BEARING		X	X
109	11364	SNAP RING	X		X
109	16723	SNAP RING		X	
110	14335	GASKET	X	X	X
111	S-1347	COVER	X		X
111	19469	COVER		X	

PARTS LISTED IN THIS CATALOG ARE NOT NECESSARILY MANUFACTURED BY THE ORIGINAL EQUIPMENT MANUFACTURER AND ANY REFERENCE TO THE TRADEMARKS OR PART NUMBERS OF OTHERS ARE FOR CROSS REFERENCE INFORMATIONAL PURPOSES ONLY. THE TRADEMARKS OF OTHERS REFERRED TO HEREIN ARE OWNED BY THEIR RESPECTIVE COMPANIES AND ARE NOT AFFILIATED IN ANY WAY WITH MIDWEST TRUCK & AUTO PARTS, INC.® MOTIVE GEAR® AND WORLD AMERICAN® ARE THE REGISTERED TRADEMARKS OF MIDWEST TRUCK & AUTO PARTS, INC.® USE OF THE ® IN CONNECTION WITH A MARK OF MIDWEST TRUCK & AUTO PARTS, INC.® INDICATES THAT THE MARK IS REGISTERED IN AT LEAST THE UNITED STATES. NO REPRESENTATION IS MADE WITH RESPECT TO THE SOURCE OF MANUFACTURE OF ANY PARTICULAR PART. © 2005, MIDWEST TRUCK & AUTO PARTS, INC.® ALL RIGHTS RESERVED.

FULLER®

7 SPEED / 8 SPEED (Cont'd)

112	A2892	BEARING	×		×
112	A3071	BEARING		×	
113	15532	GASKET	×	×	×
114	17386	GASKET	×		
114	17097	GASKET		×	
114	16784	GASKET			×
115	17252	COVER	×		
115	16724	COVER		×	
115	16770	COVER			×
116	20014	SHIFTING BLOCK	×		
116	14658	SHIFTING BLOCK		×	×
117	5202	PLUG	×	×	×
118	12817	YOKE-CLUTCH RELEASE	×	×	×
119	14494	PEDAL SHAFT	×	×	×
120	1983	PEDAL SHAFT	×	×	×
120	1984	PEDAL SHAFT	×	×	×
122	K-1945	SYNCHRONIZER KIT - (OLD)	×	×	×
122	K-1946	SYNCHRONIZER KIT - (NEW)	×	×	×
123	T20099	SYNCHRO CLUTCH ASSY - (NEW)	×	×	×
124	K-1947	SYNCHRO KIT W/SLIDING CLUTCH (OLD)	×	×	×
124	K-1948	SYNCHRO KIT W/SLIDING CLUTCH (NEW)	×	×	×
125	S-1219	YOKE ASSY		×	×

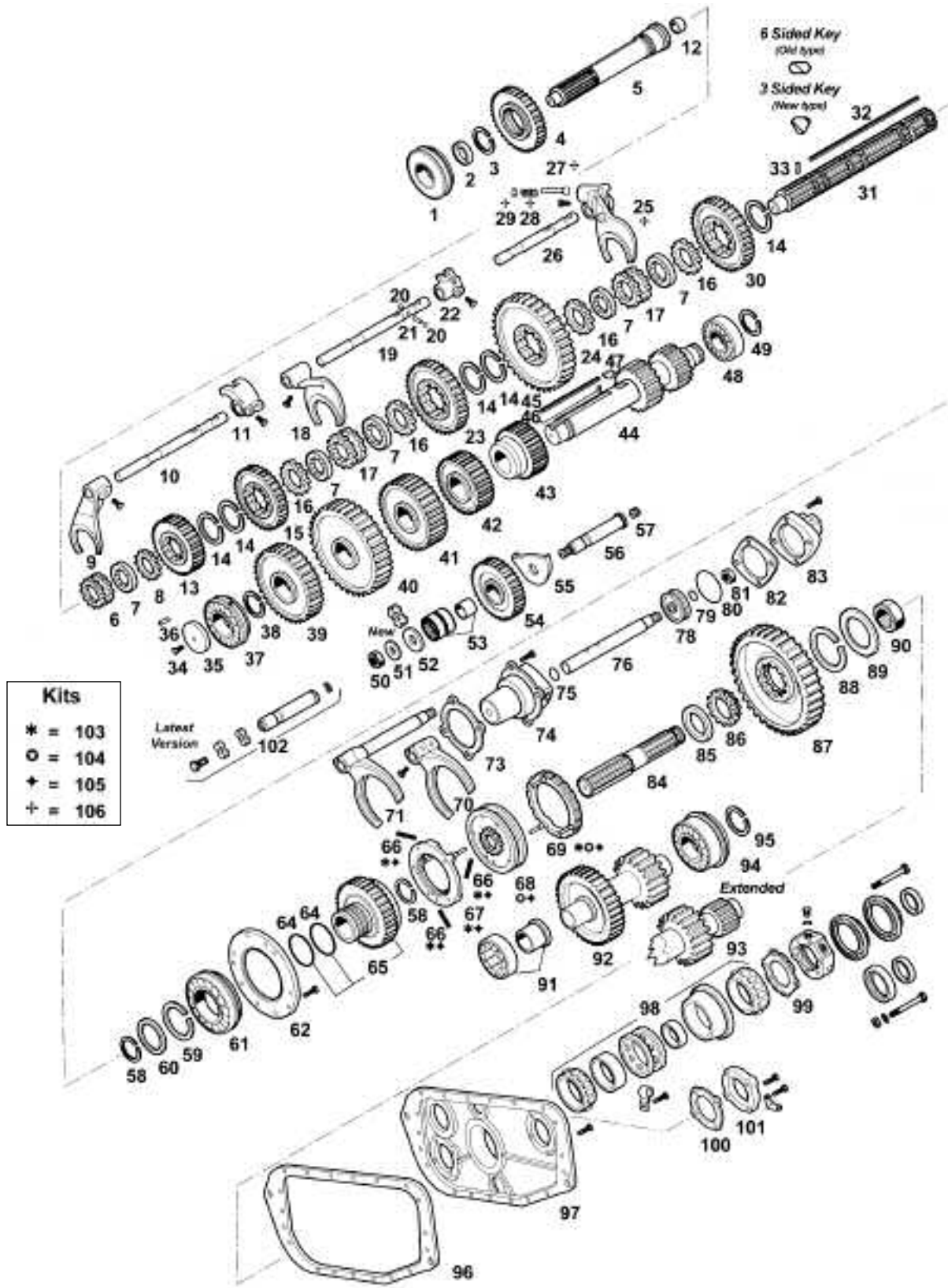
CALL YOUR SALES REP FOR BEARING & SEAL KITS



PARTS LISTED IN THIS CATALOG ARE NOT NECESSARILY MANUFACTURED BY THE ORIGINAL EQUIPMENT MANUFACTURER AND ANY REFERENCE TO THE TRADEMARKS OR PART NUMBERS OF OTHERS ARE FOR CROSS REFERENCE INFORMATIONAL PURPOSES ONLY. THE TRADEMARKS OF OTHERS REFERRED TO HEREIN ARE OWNED BY THEIR RESPECTIVE COMPANIES AND ARE NOT AFFILIATED IN ANY WAY WITH MIDWEST TRUCK & AUTO PARTS, INC.® MOTIVE GEAR® AND WORLD AMERICAN® ARE THE REGISTERED TRADEMARKS OF MIDWEST TRUCK & AUTO PARTS, INC.® USE OF THE ® IN CONNECTION WITH A MARK OF MIDWEST TRUCK & AUTO PARTS, INC.® INDICATES THAT THE MARK IS REGISTERED IN AT LEAST THE UNITED STATES. NO REPRESENTATION IS MADE WITH RESPECT TO THE SOURCE OF MANUFACTURE OF ANY PARTICULAR PART. © 2005, MIDWEST TRUCK & AUTO PARTS, INC.® ALL RIGHTS RESERVED.

FULLER® 9 SPEED

RT8608L, RT "A"-11609, RTO "A"-11609, RTO "B"-11609, RTX "P/R"-11609, RT "A"-12609, RTO "A"/RTX "P"/"R", 12609, RTO "B"-12609, RT "A"-13609, RTX "A"-14609, RTO/RTX "A/B/P/R"-14609



PARTS LISTED IN THIS CATALOG ARE NOT NECESSARILY MANUFACTURED BY THE ORIGINAL EQUIPMENT MANUFACTURER AND ANY REFERENCE TO THE TRADEMARKS OR PART NUMBERS OF OTHERS ARE FOR CROSS REFERENCE INFORMATIONAL PURPOSES ONLY. THE TRADEMARKS OF OTHERS REFERRED TO HEREIN ARE OWNED BY THEIR RESPECTIVE COMPANIES AND ARE NOT AFFILIATED IN ANY WAY WITH MIDWEST TRUCK & AUTO PARTS, INC.® MOTIVE GEAR® AND WORLD AMERICAN® ARE THE REGISTERED TRADEMARKS OF MIDWEST TRUCK & AUTO PARTS, INC.® USE OF THE ® IN CONNECTION WITH A MARK OF MIDWEST TRUCK & AUTO PARTS, INC.® INDICATES THAT THE MARK IS REGISTERED IN AT LEAST THE UNITED STATES. NO REPRESENTATION IS MADE WITH RESPECT TO THE SOURCE OF MANUFACTURE OF ANY PARTICULAR PART. © 2005, MIDWEST TRUCK & AUTO PARTS, INC.® ALL RIGHTS RESERVED.

FULLER®

9 SPEED

FIG.	PART#	DESCRIPTION	RT-8608L SERIES	RT "A" -11609	RTO "A" -11609	RTO "B" -11609	RTX "P/R" -11609	RT "A" -12609	RTO "A" -12609	RTO "B" -12609	RT "A" -13609	RTX "A/B/P/R" -	RT "A" -14609	RTO "A/B" -14609
1	212SLV	BEARING	X	X	X	X	X	X	X	X	X	X	X	X
2	16463	SPACER	X	X	X	X	X	X	X	X	X	X	X	X
3	14750	SNAP RING	X	X	X	X	X	X	X	X	X	X	X	X
4	21026	GEAR MAIN DRIVE	X											
4	20458	GEAR MAIN DRIVE 48T		X				X			X		X	
4	21021	GEAR MAIN DRIVE 58T			X									
4	21019	GEAR MAIN DRIVE 52T				X	X							
4	21021	GEAR MAIN DRIVE 58T						X						
4	22028	GEAR MAIN DRIVE 58T						X						
4	21019	GEAR MAIN DRIVE 52T							X					
4	22959	GEAR MAIN DRIVE							X					
4	22028	GEAR MAIN DRIVE 58T									X			
4	22961	GEAR MAIN DRIVE 52T									X			
4	21021	GEAR MAIN DRIVE 58T												X
4	22028	GEAR MAIN DRIVE 58T												X
4	21019	GEAR MAIN DRIVE 52T												X
4	22961	GEAR MAIN DRIVE 52T												X
5	INPUT SHAFTS (SEE PGS. 320-322)													
6	16118	SLIDING CLUTCH	X	X	X	X	X	X			X		X	
6	16118	SLIDING CLUTCH							X	X				X
6	22026	SLIDING CLUTCH							X	X				X
6	22026	SLIDING CLUTCH									X			
7	14711	WASHER S.6, 299-6, 350 MM (WHITE-OLD)	X	X	X	X	X	X	X	X	X	X	X	X
7	14712	WASHER S.6, 426-6 477 MM (GREEN-OLD)	X	X	X	X	X	X	X	X	X	X	X	X
7	14713	WASHER S.6, 553-6, 604 MM (ORANGE-OLD)	X	X	X	X	X	X	X	X	X	X	X	X
7	14714	WASHER S.6, 680-6, 731 MM (PURPLE-OLD)	X	X	X	X	X	X	X	X	X	X	X	X
7	14715	WASHER S.6, 807-6, 858 MM (YELLOW-OLD)	X	X	X	X	X	X	X	X	X	X	X	X
7	14716	WASHER S.6, 934-6, 985 MM (BLACK-OLD)	X	X	X	X	X	X	X	X	X	X	X	X
7	4300830	WASHER (BLUE-NEW)							X		X	X	X	X
7	4300382	WASHER (WHITE-NEW)							X		X	X	X	X
7	4300383	WASHER (GREEN-NEW)							X		X	X	X	X

PARTS LISTED IN THIS CATALOG ARE NOT NECESSARILY MANUFACTURED BY THE ORIGINAL EQUIPMENT MANUFACTURER AND ANY REFERENCE TO THE TRADEMARKS OR PART NUMBERS OF OTHERS ARE FOR CROSS REFERENCE INFORMATIONAL PURPOSES ONLY. THE TRADEMARKS OF OTHERS REFERRED TO HEREIN ARE OWNED BY THEIR RESPECTIVE COMPANIES AND ARE NOT AFFILIATED IN ANY WAY WITH MIDWEST TRUCK & AUTO PARTS, INC.® MOTIVE GEAR® AND WORLD AMERICAN® ARE THE REGISTERED TRADEMARKS OF MIDWEST TRUCK & AUTO PARTS, INC.® USE OF THE ® IN CONNECTION WITH A MARK OF MIDWEST TRUCK & AUTO PARTS, INC.® INDICATES THAT THE MARK IS REGISTERED IN AT LEAST THE UNITED STATES. NO REPRESENTATION IS MADE WITH RESPECT TO THE SOURCE OF MANUFACTURE OF ANY PARTICULAR PART. © 2005, MIDWEST TRUCK & AUTO PARTS, INC.® ALL RIGHTS RESERVED.

FULLER®

9 SPEED (Cont'd)

FIG.	PART#	DESCRIPTION	RT-8608L SERIES	RT "A" -11609	RTO "A" -11609	RTO "B" -11609	RTX "P/R" -11609	RT "A" -12609	RTO "A" -12609	RTO "B" -12609	RT "A" -13609	RTX "A/B/P/R" -	RT "A" -14609	RTO "A/B" -14609
7	4300384	WASHER (ORANGE-NEW)							X		X	X	X	X
7	4300385	WASHER (PURPLE-NEW)							X		X	X	X	X
7	4300386	WASHER (YELLOW-NEW)							X		X	X	X	X
7	4300387	WASHER (BLACK-NEW)							X		X	X	X	X
8	14749	SPACER	X	X	X	X	X				X		X	
8	14749	SPACER							X	X				X
8	22032	SPACER							X	X				X
8	22032	SPACER										X		
9	16136	SHIFT YOKE (RTMODELS)	X	X	X	X		X	X	X	X		X	X
9	20450	SHIFT YOKE (RTX MODELS)					X		X			X		X
10	16134	YOKE BAR (RT MODELS)	X	X	X	X		X	X	X	X		X	X
10	18928	YOKE BAR (RTX MODELS)					X		X			X		X
11	14659	SHIFTING BLOCK (RT MODELS)	X	X	X	X		X	X	X	X		X	X
11	19063	SHIFTING BLOCK (RTX MODELS)					X		X			X		X
12	16566	BUSHING	X	X	X	X	X	X	X	X	X	X	X	X
13	21023	GEAR M/S 52T	X											
13	20391	GEAR M/S 3RD 58T		X				X			X		X	
13	19632	GEAR M/S 48T			X									
13	21261	GEAR M/S 42T				X								
13	21496	GEAR M/S 46T					X							
13	22784	GEAR M/S					X							
13	19632	GEAR M/S 48T							X					
13	22027	GEAR M/S 48T							X					
13	21496	GEAR M/S 46T							X					
13	22962	GEAR M/S							X					
13	22743	GEAR M/S							X					
13	23014	GEAR M/S							X					
13	21261	GEAR M/S 42T								X				
13	23102	GEAR M/S 42T								X				
13	22031	GEAR M/S 48T										X		
13	23102	GEAR M/S 42T										X		
13	22963	GEAR M/S										X		
13	23018	GEAR M/S										X		
13	19632	GEAR M/S 48T												X

PARTS LISTED IN THIS CATALOG ARE NOT NECESSARILY MANUFACTURED BY THE ORIGINAL EQUIPMENT MANUFACTURER AND ANY REFERENCE TO THE TRADEMARKS OR PART NUMBERS OF OTHERS ARE FOR CROSS REFERENCE INFORMATIONAL PURPOSES ONLY. THE TRADEMARKS OF OTHERS REFERRED TO HEREIN ARE OWNED BY THEIR RESPECTIVE COMPANIES AND ARE NOT AFFILIATED IN ANY WAY WITH MIDWEST TRUCK & AUTO PARTS, INC.® MOTIVE GEAR® AND WORLD AMERICAN® ARE THE REGISTERED TRADEMARKS OF MIDWEST TRUCK & AUTO PARTS, INC.® USE OF THE ® IN CONNECTION WITH A MARK OF MIDWEST TRUCK & AUTO PARTS, INC.® INDICATES THAT THE MARK IS REGISTERED IN AT LEAST THE UNITED STATES. NO REPRESENTATION IS MADE WITH RESPECT TO THE SOURCE OF MANUFACTURE OF ANY PARTICULAR PART. © 2005, MIDWEST TRUCK & AUTO PARTS, INC.® ALL RIGHTS RESERVED.

FULLER®

9 SPEED (Cont'd)

FIG.	PART#	DESCRIPTION	RT-8608L SERIES	RT "A"-11609	RTO "A"-11609	RTO "B"-11609	RTX "P/R"-11609	RT "A"-12609	RTO "A"-12609	RTO "B"-12609	RT "A"-13609	RTX "A/B/P/R"-	RT "A"-14609	RTO "A/B"-14609
13	22031	GEAR M/S 48T												X
13	21261	GEAR M/S 42T												X
13	4300190	GEAR M/S 42T												X
13	21496	GEAR M/S 46T												X
13	22963	GEAR M/S												X
13	23018	GEAR M/S												X
14	14750	SNAP RING	X	X	X	X	X	X	X	X	X	X	X	X
15	19622	GEAR M/S 2ND SPD 50T	X											
15	20390	GEAR M/S 2ND 56T		X	X			X			X		X	
15	19622	GEAR M/S 2ND SPD 50T				X				X				
15	21498	GEAR M/S					X							
15	20390	GEAR M/S 2ND 56T "A"						X						
15	21498	GEAR M/S "P/R"						X						
15	20390	GEAR M/S 2ND 56T "A"										X		X
15	19622	GEAR M/S 2ND SPD 50T "B"										X		X
15	21498	GEAR M/S "P/R"										X		X
16	14749	SPACER	X	X	X	X	X	X	X	X	X	X	X	X
17	16118	SLIDING CLUTCH	X	X	X	X	X	X	X	X	X	X	X	X
18	16135	SHIFT YOKE 2ND RT MODELS	X	X	X	X		X	X	X	X		X	X
18	18922	SHIFT YOKE RTX MODELS					X		X			X		X
19	16133	YOKE BAR RT MODELS	X	X	X	X		X	X	X	X		X	X
19	18927	YOKE BAR RTX MODELS					X		X			X		X
20	X-14-1200	BALL	X	X	X	X	X	X	X	X	X	X	X	X
21	1634	PIN	X	X	X	X	X	X	X	X	X	X	X	X
22	14658	SHIFTING BLOCK	X	X	X	X	X	X	X	X	X	X	X	X
23	21024	GEAR M/S 1ST SPD 60T	X			X				X				
23	20389	GEAR M/S 1ST SPD 60T		X	X			X			X		X	
23	21500	GEAR M/S					X							
23	22778	GEAR M/S 1ST SPD					X							
23	20389	GEAR M/S 1ST 60T "A"							X					
23	21500	GEAR M/S "R/P"							X					
23	20389	GEAR M/S 1ST 60T "A"										X		

PARTS LISTED IN THIS CATALOG ARE NOT NECESSARILY MANUFACTURED BY THE ORIGINAL EQUIPMENT MANUFACTURER AND ANY REFERENCE TO THE TRADEMARKS OR PART NUMBERS OF OTHERS ARE FOR CROSS REFERENCE INFORMATIONAL PURPOSES ONLY. THE TRADEMARKS OF OTHERS REFERRED TO HEREIN ARE OWNED BY THEIR RESPECTIVE COMPANIES AND ARE NOT AFFILIATED IN ANY WAY WITH MIDWEST TRUCK & AUTO PARTS, INC.® MOTIVE GEAR® AND WORLD AMERICAN® ARE THE REGISTERED TRADEMARKS OF MIDWEST TRUCK & AUTO PARTS, INC.® USE OF THE ® IN CONNECTION WITH A MARK OF MIDWEST TRUCK & AUTO PARTS, INC.® INDICATES THAT THE MARK IS REGISTERED IN AT LEAST THE UNITED STATES. NO REPRESENTATION IS MADE WITH RESPECT TO THE SOURCE OF MANUFACTURE OF ANY PARTICULAR PART. © 2005, MIDWEST TRUCK & AUTO PARTS, INC.® ALL RIGHTS RESERVED.

FULLER®

9 SPEED (Cont'd)

FIG.	PART#	DESCRIPTION	RT-8608L SERIES	RT "A" -11609	RTO "A" -11609	RTO "B" -11609	RTX "P/R" -11609	RT "A" -12609	RTO "A" -12609	RTO "B" -12609	RT "A" -13609	RTX "A/B/P/R" -	RT "A" -14609	RTO "A/B" -14609
23	21024	GEAR M/S 1ST 60T "B"										X		
23	22774	GEAR M/S "P/R"										X		
23	20389	GEAR M/S 1ST 60T "A"												X
23	21024	GEAR M/S 1ST 60T "B"												X
23	22774	GEAR M/S "P/R"												X
24	16754	GEAR M/S LOW 44T	X	X	X	X		X	X	X	X		X	
24	16754	GEAR M/S LOW 44T					X							
24	22780	GEAR M/S LOW					X							
24	16754	GEAR M/S LOW 44T "A/B"										X		
24	22776	GEAR M/S "P/R"										X		
24	16754	GEAR M/S LOW 44T "A/B"												X
24	22776	GEAR M/S "P/R"												X
25	16131	REVERSE YOKE	X	X	X	X	X	X	X	X	X	X	X	X
26	16132	YOKE BAR - RT MODELS	X	X	X	X		X	X	X	X		X	X
26	18926	YOKE BAR - RTX MODELS					X		X			X		X
27	10019	PIN	X	X	X	X	X	X	X	X	X	X	X	X
28	6392	SPRING	X	X	X	X	X	X	X	X	X	X	X	X
29	8968	PLUG	X	X	X	X	X	X	X	X	X	X	X	X
30	16756	REVERSE GEAR M/S 46T	X	X	X	X	X	X	X	X	X	X	X	X
31	S-1341	MAIN SHAFT ASSY 17T	X	X	X	X	X	X	X					
31	S-2120	MAIN SHAFT ASSY 17T									X	X	X	X
32	17109	KEY - (OLD)	X	X	X	X	X	X	X	X	X	X	X	X
32	4300120	KEY - (NEW)							X		X	X	X	X
33	62504	PIN 3X16	X	X	X	X	X	X	X	X	X	X	X	X
34	X-7-1005	BOLT	X	X	X	X	X	X	X	X	X	X	X	X
35	19668	LOCKING DISK	X	X		X								
35	19548	LOCKING DISK			X	X	X		X	X	X	X	X	X
36	62511	PIN	X	X	X	X	X	X	X	X	X	X	X	X
37	MS1309GEXR	BEARING	X		X	X	X		X	X	X	X	X	X
37	1309L	BEARING		X				X						
38	19198	SNAP RING	X	X	X	X	X	X	X	X	X	X	X	X
39	21262	GEAR C/S 73T	X											
39	20459	GEAR C/S 69T		X				X			X		X	
39	21020	GEAR C/S 62T			X			X						
39	21018	GEAR C/S 66T				X	X			X				

PARTS LISTED IN THIS CATALOG ARE NOT NECESSARILY MANUFACTURED BY THE ORIGINAL EQUIPMENT MANUFACTURER AND ANY REFERENCE TO THE TRADEMARKS OR PART NUMBERS OF OTHERS ARE FOR CROSS REFERENCE INFORMATIONAL PURPOSES ONLY. THE TRADEMARKS OF OTHERS REFERRED TO HEREIN ARE OWNED BY THEIR RESPECTIVE COMPANIES AND ARE NOT AFFILIATED IN ANY WAY WITH MIDWEST TRUCK & AUTO PARTS, INC.® MOTIVE GEAR® AND WORLD AMERICAN® ARE THE REGISTERED TRADEMARKS OF MIDWEST TRUCK & AUTO PARTS, INC.® USE OF THE ® IN CONNECTION WITH A MARK OF MIDWEST TRUCK & AUTO PARTS, INC.® INDICATES THAT THE MARK IS REGISTERED IN AT LEAST THE UNITED STATES. NO REPRESENTATION IS MADE WITH RESPECT TO THE SOURCE OF MANUFACTURE OF ANY PARTICULAR PART. © 2005, MIDWEST TRUCK & AUTO PARTS, INC.® ALL RIGHTS RESERVED.

FULLER®

9 SPEED (Cont'd)

FIG.	PART#	DESCRIPTION	RT-8608L SERIES	RT "A" -11609	RTO "A" -11609	RTO "B" -11609	RTX "P/R" -11609	RT "A" -12609	RTO "A" -12609	RTO "B" -12609	RT "A" -13609	RTX "A/B/P/R" -	RT "A" -14609	RTO "A/B" -14609
39	21020	GEAR C/S 62T "A/P/R"										X		
39	21018	GEAR C/S 66T "B"										X		
39	21020	GEAR C/S 62T "A/P/R"												X
39	21018	GEAR C/S 66T "B"												X
40	15953	GEAR C/S PTO 47T LH PTO (LEFT)	X	X	X	X	X	X	X	X	X	X	X	X
40	20840	GEAR C/S PTO 45T RH PTO (RIGHT)	X	X	X	X	X	X	X	X	X	X	X	X
41	21018	GEAR C/S 66T	X											
41	21020	GEAR C/S 62T		X			X				X		X	
41	20459	GEAR C/S 69T			X									
41	21262	GEAR C/S 73T				X				X				
41	21497	GEAR C/S 59T "P"					X							
41	22785	GEAR C/S "R"					X							
41	20459	GEAR C/S 69T "A"												
41	21497	GEAR C/S 59T "P"						X						
41	22744	GEAR C/S "R"						X						
41	20459	GEAR C/S 69T "A"										X		
41	21262	GEAR C/S 73T "B"										X		
41	21497	GEAR C/S 59T "P"										X		
41	22744	GEAR C/S "R"										X		
41	20459	GEAR C/S 69T "A"												X
41	4300191	GEAR C/S 73T "B"												X
41	21497	GEAR C/S 59T "P"												X
41	22744	GEAR C/S "R"												X
42	21264	GEAR C/S 46T	X			X	X			X				
42	20482	GEAR C/S 2ND 44T		X	X			X			X		X	
42	20482	GEAR C/S 2ND 44T "A"							X					
42	21499	GEAR C/S 41T "P/R"							X					
42	20482	GEAR C/S 2ND 44T "A"										X		
42	21264	GEAR C/S 46T "B"										X		
42	21499	GEAR C/S 41T "P/R"										X		
42	20482	GEAR C/S 2ND 44T "A"												X
42	21264	GEAR C/S 46T "B"												X
42	21499	GEAR C/S 41T "P/R"												X

PARTS LISTED IN THIS CATALOG ARE NOT NECESSARILY MANUFACTURED BY THE ORIGINAL EQUIPMENT MANUFACTURER AND ANY REFERENCE TO THE TRADEMARKS OR PART NUMBERS OF OTHERS ARE FOR CROSS REFERENCE INFORMATIONAL PURPOSES ONLY. THE TRADEMARKS OF OTHERS REFERRED TO HEREIN ARE OWNED BY THEIR RESPECTIVE COMPANIES AND ARE NOT AFFILIATED IN ANY WAY WITH MIDWEST TRUCK & AUTO PARTS, INC.® MOTIVE GEAR® AND WORLD AMERICAN® ARE THE REGISTERED TRADEMARKS OF MIDWEST TRUCK & AUTO PARTS, INC.® USE OF THE ® IN CONNECTION WITH A MARK OF MIDWEST TRUCK & AUTO PARTS, INC.® INDICATES THAT THE MARK IS REGISTERED IN AT LEAST THE UNITED STATES. NO REPRESENTATION IS MADE WITH RESPECT TO THE SOURCE OF MANUFACTURE OF ANY PARTICULAR PART. © 2005, MIDWEST TRUCK & AUTO PARTS, INC.® ALL RIGHTS RESERVED.

FULLER®

9 SPEED (Cont'd)

FIG.	PART#	DESCRIPTION	RT-8608L SERIES	RT "A" -11609	RTO "A" -11609	RTO "B" -11609	RTX "P/R" -11609	RT "A" -12609	RTO "A" -12609	RTO "B" -12609	RT "A" -13609	RTX "A/B/P/R" -	RT "A" -14609	RTO "A/B" -14609
43	21025	GEAR C/S 1ST 39T	X		X				X					
43	20471	GEAR C/S 1ST 35T		X	X			X			X		X	
43	21501	GEAR C/S				X								
43	22779	GEAR C/S				X								
43	20471	GEAR C/S 1ST 35T "A"						X						
43	21501	GEAR C/S "P/R"						X						
43	20471	GEAR C/S 1ST 35T "A"										X		
43	21025	GEAR C/S 1ST 39T "B"										X		
43	22775	GEAR C/S "P/R"										X		
43	20471	GEAR C/S 1ST 35T "A"												X
43	21025	GEAR C/S 1ST 39T "B"												X
43	22775	GEAR C/S "P/R"												X
44	19549	COUNTERSHAFT 17T	X	X	X	X		X	X	X	X		X	
44	K-2934	COUNTERSHAFT KIT	X	X	X	X		X	X	X	X		X	
44	19549	COUNTERSHAFT 17T					X							
44	K-2934	COUNTERSHAFT KIT					X							
44	22777	COUNTERSHAFT					X							
44	K-2953	COUNTERSHAFT KIT					X							
44	19549	COUNTERSHAFT 17T "A/B"										X		
44	K-2934	COUNTERSHAFT KIT										X		
44	22777	COUNTERSHAFT "P/R"										X		
44	K-2953	COUNTERSHAFT KIT W/KEYS P/R										X		
44	19549	COUNTERSHAFT 17T "A/B"												X
44	K-2934	COUNTERSHAFT KIT W/KEYS A/B												X
44	22777	COUNTERSHAFT "P/R"												X
44	K-2953	COUNTERSHAFT KIT W/KEYS P/R												X
45	19673	KEY	X	X	X	X	X	X	X	X	X	X	X	X
46	62511	PIN	X	X	X	X	X	X	X	X	X	X	X	X
47	X-6-3	KEY	X	X	X	X	X	X	X	X	X	X	X	X
48	MU1308TV	BEARING	X	X	X	X	X	X	X	X	X	X	X	X
49	14317	SNAP RING	X	X	X	X	X	X	X	X	X	X	X	X
50	X-1-1008	NUT	X	X	X	X	X	X	X	X	X	X	X	X
51	14283	WASHER	X	X	X	X	X	X	X	X	X	X	X	X

PARTS LISTED IN THIS CATALOG ARE NOT NECESSARILY MANUFACTURED BY THE ORIGINAL EQUIPMENT MANUFACTURER AND ANY REFERENCE TO THE TRADEMARKS OR PART NUMBERS OF OTHERS ARE FOR CROSS REFERENCE INFORMATIONAL PURPOSES ONLY. THE TRADEMARKS OF OTHERS REFERRED TO HEREIN ARE OWNED BY THEIR RESPECTIVE COMPANIES AND ARE NOT AFFILIATED IN ANY WAY WITH MIDWEST TRUCK & AUTO PARTS, INC.® MOTIVE GEAR® AND WORLD AMERICAN® ARE THE REGISTERED TRADEMARKS OF MIDWEST TRUCK & AUTO PARTS, INC.® USE OF THE ® IN CONNECTION WITH A MARK OF MIDWEST TRUCK & AUTO PARTS, INC.® INDICATES THAT THE MARK IS REGISTERED IN AT LEAST THE UNITED STATES. NO REPRESENTATION IS MADE WITH RESPECT TO THE SOURCE OF MANUFACTURE OF ANY PARTICULAR PART. © 2005, MIDWEST TRUCK & AUTO PARTS, INC.® ALL RIGHTS RESERVED.

FULLER®

9 SPEED (Cont'd)

FIG.	PART#	DESCRIPTION	RT-8608L SERIES	RT" A"-11609	RTO'A"-11609	RTO"B"-11609	RTX "P/R"-11609	RT "A"-12609	RTO "A"-12609	RTO "B"-12609	RT "A"-13609	RTX "A/B/P/R"-	RT "A"-14609	RTO "A/B"-14609
52	14282	WASHER - (OLD)	X	X	X	X	X	X	X	X	X	X	X	X
52	4302982	WASHER - (NEW)	X	X	X	X	X	X	X	X	X	X	X	X
53	FWA1830	BEARING	X	X	X	X	X	X	X	X	X	X	X	X
54	16757	REVERSE GEAR 27T	X	X	X	X	X	X	X	X	X	X	X	X
55	16403	WASHER	X	X	X	X	X	X	X	X	X	X	X	X
56	16405	REVERSE GEAR PIN	X	X	X	X	X	X	X	X	X	X	X	X
57	5202	PLUG	X	X	X	X	X	X	X	X	X	X	X	X
58	16763	SNAP RING	X	X	X	X	X	X	X	X	X	X	X	X
59	16628	SNAP RING	X	X	X	X	X	X	X	X	X	X	X	X
60	21320	SNAP RING RETAINER									X	X	X	X
61	118L	BEARING	X	X	X	X	X	X	X	X	X	X	X	X
62	16138	RETAINER RING	X	X	X	X	X	X	X	X	X	X	X	X
64	17453	RETAINER RING	X	X	X	X	X	X	X	X	X	X	X	X
65	K-1787	AUX. DRIVE GEAR KIT 40T		X	X		X							
65	K-1786	AUX. DRIVE GEAR KIT 42T						X						
65	K-1786	AUX. DRIVE GEAR KIT 42T "A"						X						
66	14897	SPRING	X	X	X	X	X	X	X	X	X	X	X	X
67	A-4938	SYNCHRONIZER RING	X	X	X	X	X	X	X	X	X	X	X	X
68	16759	SLIDING CLUTCH - (OLD)	X	X	X	X	X	X	X	X	X	X	X	X
68	20323	SLIDING CLUTCH - (NEW)	X	X	X	X	X	X	X	X	X	X	X	X
69	A-4416	SYNCHRONIZER RING - (OLD)	X	X	X	X	X	X	X	X	X	X	X	X
69	A-4937	SYNCHRONIZER RING - (NEW)	X	X	X	X	X	X	X	X	X	X	X	X
70	16775	SHIFT YOKE	X	X	X	X	X	X	X	X	X	X	X	X
70	22823	SHIFT YOKE	X	X	X	X	X	X	X	X	X	X	X	X
71	A-6162	SHIFT YOKE ASSY									X	X		
71	A-6160	SHIFT YOKE ASSY											X	X
73	14347	GASKET	X	X	X	X	X	X	X	X	X	X	X	X
74	16778	CYLINDER	X	X	X	X	X	X	X	X	X	X	X	X
75	14765	O-RING	X	X	X	X	X	X	X	X	X	X	X	X
76	16993	YOKE BAR	X	X	X	X	X	X	X	X	X	X		
76	16773	YOKE BAR											X	X
78	14341	PISTON	X	X	X	X	X	X	X	X	X	X	X	X

PARTS LISTED IN THIS CATALOG ARE NOT NECESSARILY MANUFACTURED BY THE ORIGINAL EQUIPMENT MANUFACTURER AND ANY REFERENCE TO THE TRADEMARKS OR PART NUMBERS OF OTHERS ARE FOR CROSS REFERENCE INFORMATIONAL PURPOSES ONLY. THE TRADEMARKS OF OTHERS REFERRED TO HEREIN ARE OWNED BY THEIR RESPECTIVE COMPANIES AND ARE NOT AFFILIATED IN ANY WAY WITH MIDWEST TRUCK & AUTO PARTS, INC.® MOTIVE GEAR® AND WORLD AMERICAN® ARE THE REGISTERED TRADEMARKS OF MIDWEST TRUCK & AUTO PARTS, INC.® USE OF THE ® IN CONNECTION WITH A MARK OF MIDWEST TRUCK & AUTO PARTS, INC.® INDICATES THAT THE MARK IS REGISTERED IN AT LEAST THE UNITED STATES. NO REPRESENTATION IS MADE WITH RESPECT TO THE SOURCE OF MANUFACTURE OF ANY PARTICULAR PART. © 2005, MIDWEST TRUCK & AUTO PARTS, INC.® ALL RIGHTS RESERVED.

FULLER®

9 SPEED (Cont'd)

FIG.	PART#	DESCRIPTION	RT-8608L SERIES	RT "A"-11609	RTO "A"-11609	RTO "B"-11609	RTX "P/R"-11609	RT "A"-12609	RTO "A"-12609	RTO "B"-12609	RT "A"-13609	RTX "A/B/P/R"-	RT "A"-14609	RTO "A/B"-14609
79	14345	O-RING	X	X	X	X	X	X	X	X	X	X	X	X
80	14344	O-RING	X	X	X	X	X	X	X	X	X	X	X	X
81	X-1-1010	NUT	X	X	X	X	X	X	X	X	X	X	X	X
82	14349	GASKET	X	X	X	X	X	X	X	X	X	X	X	X
83	19690	CYLINDER COVER	X	X	X	X	X	X	X	X	X	X	X	X
84	19281	OUTPUT SHAFT 18T	X	X	X	X	X							
84	20472	OUTPUT SHAFT					X	X	X	X	X			
84	19202	OUTPUT SHAFT											X	X
85	14332	WASHER	X	X	X	X	X	X	X	X	X	X		
86	14331	SPACER	X	X	X	X	X	X	X	X	X	X		
86	19203	SPACER											X	X
87	19665	GEAR 48T	X			X	X							
87	19165	GEAR 42T		X	X									
87	20475	GEAR 42T					X							
87	20475	GEAR 42T "A"						X						
87	20932	GEAR 48T "B/P/R"						X	X					
87	4300318	GEAR									X			
87	4300318	GEAR "A"										X		
87	4300325	GEAR "B/P/R"										X		
87	19277	GEAR 42T											X	
87	19277	GEAR 42T "A"												X
87	19667	GEAR 48T "B/P/R"												X
88	14327	SNAP RING	X	X	X	X	X	X	X	X	X	X		
89	19466	WASHER	X	X	X	X	X	X	X	X	X	X		
89	16772	WASHER											X	X
90	22254	NUT	X	X	X	X	X	X	X	X	X	X	X	X
91	MR1307EL	BEARING D.80X35X21	X	X	X	X	X	X	X	X	X	X	X	X
92	A-4727	COUNTERSHAFT ASSY	X		X	X								
92	A-4722	COUNTERSHAFT ASSY		X	X									
92	A-4976	COUNTERSHAFT ASSY					X							
92	A-4976	COUNTERSHAFT ASSY "A"						X						
92	A-5051	COUNTERSHAFT ASSY "B/P/R"						X	X					
92	A-5736	COUNTERSHAFT ASSY								X				
92	A-5736	COUNTERSHAFT ASSY "A"									X			
92	A-5735	COUNTERSHAFT ASSY "B/P/R"										X		

PARTS LISTED IN THIS CATALOG ARE NOT NECESSARILY MANUFACTURED BY THE ORIGINAL EQUIPMENT MANUFACTURER AND ANY REFERENCE TO THE TRADEMARKS OR PART NUMBERS OF OTHERS ARE FOR CROSS REFERENCE INFORMATIONAL PURPOSES ONLY. THE TRADEMARKS OF OTHERS REFERRED TO HEREIN ARE OWNED BY THEIR RESPECTIVE COMPANIES AND ARE NOT AFFILIATED IN ANY WAY WITH MIDWEST TRUCK & AUTO PARTS, INC.® MOTIVE GEAR® AND WORLD AMERICAN® ARE THE REGISTERED TRADEMARKS OF MIDWEST TRUCK & AUTO PARTS, INC.® USE OF THE ® IN CONNECTION WITH A MARK OF MIDWEST TRUCK & AUTO PARTS, INC.® INDICATES THAT THE MARK IS REGISTERED IN AT LEAST THE UNITED STATES. NO REPRESENTATION IS MADE WITH RESPECT TO THE SOURCE OF MANUFACTURE OF ANY PARTICULAR PART. © 2005, MIDWEST TRUCK & AUTO PARTS, INC.® ALL RIGHTS RESERVED.

FULLER®

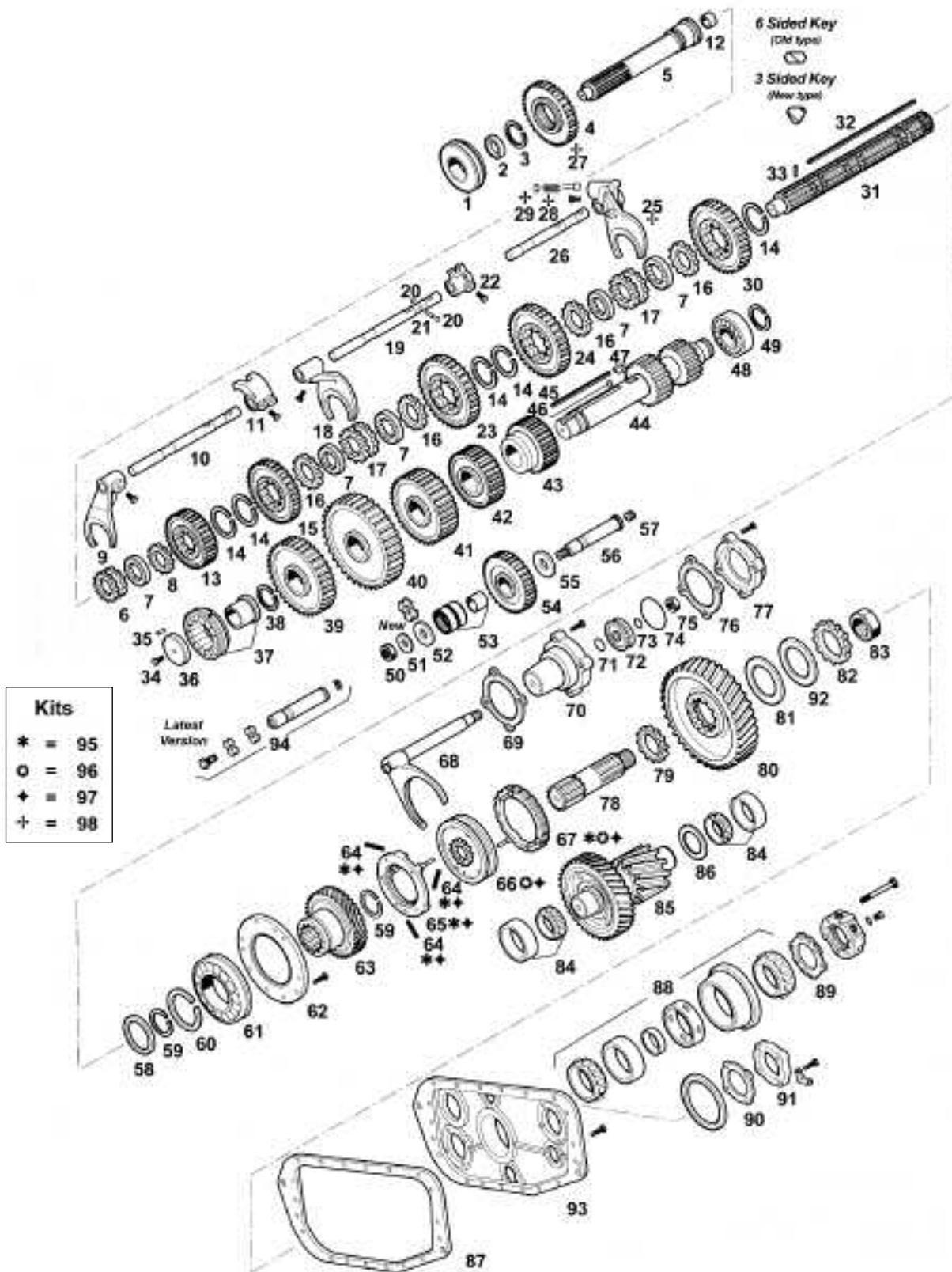
9 SPEED (Cont'd)

FIG.	PART#	DESCRIPTION	RT-8608L SERIES	RT "A" -11609	RTO "A" -11609	RTO "B" -11609	RTX "P/R" -11609	RT "A" -12609	RTO "A" -12609	RTO "B" -12609	RT "A" -13609	RTX "A/B/P/R" -	RT "A" -14609	RTO "A/B" -14609
92	A-4723	COUNTERSHAFT ASSY										X		
92	A-4723	COUNTERSHAFT ASSY "A"												X
92	A-4728	COUNTERSHAFT ASSY "B/P/R"												X
93	A-4799	COUNTERSHAFT ASSY	X			X	X							
93	A-4794	COUNTERSHAFT ASSY 51/15T		X	X									
93	A-4791	COUNTERSHAFT ASSY										X		
93	A-4791	COUNTERSHAFT ASSY "A"												X
94	1310L	BEARING	X	X	X	X	X	X	X	X				
94	1310SVL	BEARING									X	X		
94	1311L	BEARING										X	X	
95	16723	SNAP RING	X	X	X	X	X	X	X	X	X	X		
95	11364	SNAP RING										X	X	
96	14335	GASKET	X	X	X	X	X	X	X	X	X	X	X	X
97	19469	COVER	X	X	X	X	X	X	X	X	X	X		
97	S-1347	COVER										X	X	
98	A3071	BEARING	X	X	X	X	X	X	X	X	X	X		
98	A2892	BEARING										X	X	
99	15532	GASKET	X	X	X	X	X	X	X	X	X	X	X	X
100	17097	GASKET	X	X	X	X	X	X	X	X	X	X		
100	16784	GASKET										X	X	
101	16724	COVER	X	X	X	X	X	X	X	X	X	X		
101	16770	COVER										X	X	
102	K-3209	IDLER SHAFT REPL. KIT	X	X	X	X	X	X	X	X	X	X	X	X
103	K-1945	SYNCHRONIZER KIT-(OLD)	X	X	X	X	X	X	X	X	X	X	X	X
103	K-1946	SYNCHRONIZER KIT-(NEW)	X	X	X	X	X	X	X	X	X	X	X	X
104	T20099	SYNCHRO CLUTCH ASSY NEW	X	X	X	X	X	X	X	X	X	X	X	X
105	K-1947	SYNCHRO KIT W/SLIDING CLUTCH (OLD)	X	X	X	X	X	X	X	X	X	X	X	X
105	K-1948	SYNCHRO KIT W/SLIDING CLUTCH (NEW)	X	X	X	X	X	X	X	X	X	X	X	X
106	S-1219	YOKE ASSY	X	X	X	X	X	X	X	X	X	X	X	X

PARTS LISTED IN THIS CATALOG ARE NOT NECESSARILY MANUFACTURED BY THE ORIGINAL EQUIPMENT MANUFACTURER AND ANY REFERENCE TO THE TRADEMARKS OR PART NUMBERS OF OTHERS ARE FOR CROSS REFERENCE INFORMATIONAL PURPOSES ONLY. THE TRADEMARKS OF OTHERS REFERRED TO HEREIN ARE OWNED BY THEIR RESPECTIVE COMPANIES AND ARE NOT AFFILIATED IN ANY WAY WITH MIDWEST TRUCK & AUTO PARTS, INC.® MOTIVE GEAR® AND WORLD AMERICAN® ARE THE REGISTERED TRADEMARKS OF MIDWEST TRUCK & AUTO PARTS, INC.® USE OF THE ® IN CONNECTION WITH A MARK OF MIDWEST TRUCK & AUTO PARTS, INC.® INDICATES THAT THE MARK IS REGISTERED IN AT LEAST THE UNITED STATES. NO REPRESENTATION IS MADE WITH RESPECT TO THE SOURCE OF MANUFACTURE OF ANY PARTICULAR PART. © 2005, MIDWEST TRUCK & AUTO PARTS, INC.® ALL RIGHTS RESERVED.

FULLER® 9 SPEED (Cont'd)

RT "A-H"-11709, RTO/RTX "A"-11709, RTO/RTX "B"-11709, RTX "H"-11709, RT "A-H"-12709,
 RTO-RTX "A"-12709, RTO-RTX "B"-12709, RTX "H"-12709, RT "H"-13709, RTX "H"-13709, RT "A-H"-14709,
 RTO/RTX "A"-14709, RTO/RTX "B"-14709, RTX "H"-14709, RTX "B-H"-16709



PARTS LISTED IN THIS CATALOG ARE NOT NECESSARILY MANUFACTURED BY THE ORIGINAL EQUIPMENT MANUFACTURER AND ANY REFERENCE TO THE TRADEMARKS OR PART NUMBERS OF OTHERS ARE FOR CROSS REFERENCE INFORMATIONAL PURPOSES ONLY. THE TRADEMARKS OF OTHERS REFERRED TO HEREIN ARE OWNED BY THEIR RESPECTIVE COMPANIES AND ARE NOT AFFILIATED IN ANY WAY WITH MIDWEST TRUCK & AUTO PARTS, INC.® MOTIVE GEAR® AND WORLD AMERICAN® ARE THE REGISTERED TRADEMARKS OF MIDWEST TRUCK & AUTO PARTS, INC.® USE OF THE ® IN CONNECTION WITH A MARK OF MIDWEST TRUCK & AUTO PARTS, INC.® INDICATES THAT THE MARK IS REGISTERED IN AT LEAST THE UNITED STATES. NO REPRESENTATION IS MADE WITH RESPECT TO THE SOURCE OF MANUFACTURE OF ANY PARTICULAR PART. © 2005, MIDWEST TRUCK & AUTO PARTS, INC.® ALL RIGHTS RESERVED.

FULLER®

9 SPEED (Cont'd)

FIG. PART#	DESCRIPTION	RT™A-H™-11709	RTO/RTX™A™-11709	RTO/RTX™B™-11709 RTX™H™-12709	RT™A-H™-12709	RTO-RTX™A™-12709	RTO/RTX™B™-12709 RTX™H™-12709	RT™H™-13709	RTX™H™-13709	RT™A-H™-14709	RTO/RTX™A™-14709	RTO/RTX™B™-14709 RTX™H™-14709	RTX™B-H™-16709RTX™
1 212SLV	BEARING	X	X	X	X	X	X	X	X	X	X	X	X
2 16463	SPACER	X	X	X	X	X	X	X	X	X	X	X	X
3 14750	SNAP RING	X	X	X	X	X	X	X	X	X	X	X	X
4 20458	GEAR MAIN DRIVE 48T	X		X			X		X				
4 22028	GEAR MAIN DRIVE 58T		X			X					X		
4 22959	GEAR MAIN DRIVE			X			X						
4 22961	GEAR MAIN DRIVE 52T							X				X	
4 4300238	GEAR MAIN DRIVE 52T												X
5	INPUT SHAFTS (SEE PGS. 320-322)												
6 16118	SLIDING CLUTCH	X		X			X		X		X		
6 22026	SLIDING CLUTCH		X	X		X	X		X		X	X	X
7 14711	WASHER S.6, 299-6, 350 MM (WHITE-OLD)	X	X	X	X	X	X	X	X	X	X	X	X
7 14712	WASHER S.6, 426-6, 477 MM (GREEN-OLD)	X	X	X	X	X	X	X	X	X	X	X	X
7 14713	WASHER S.6, 553-6, 604 MM (ORANGE-OLD)	X	X	X	X	X	X	X	X	X	X	X	X
7 14714	WASHER S.6, 680-6 731 MM (PURPLE-OLD)	X	X	X	X	X	X	X	X	X	X	X	X
7 14715	WASHER S.6, 807-6, 858 MM (YELLOW-OLD)	X	X	X	X	X	X	X	X	X	X	X	X
7 14716	WASHER S.6, 934-6, 985 MM (BLACK-OLD)	X	X	X	X	X	X	X	X	X	X	X	X
7 4300830	WASHER (BLUE-NEW)	X	X	X	X	X	X	X	X	X	X	X	X
7 4300382	WASHER (WHITE-NEW)	X	X	X	X	X	X	X	X	X	X	X	X
7 4300383	WASHER (GREEN-NEW)	X	X	X	X	X	X	X	X	X	X	X	X
7 4300384	WASHER (ORANGE-NEW)	X	X	X	X	X	X	X	X	X	X	X	X
7 4300385	WASHER (PURPLE-NEW)	X	X	X	X	X	X	X	X	X	X	X	X
7 4300386	WASHER (YELLOW-NEW)	X	X	X	X	X	X	X	X	X	X	X	X
7 4300387	WASHER (BLACK-NEW)	X	X	X	X	X	X	X	X	X	X	X	X
8 14749	SPACER	X		X			X		X				
8 22032	SPACER		X	X		X	X		X		X	X	X
9 16136	SHIFT YOKE (RT MODELS)	X	X	X	X	X	X	X		X	X	X	
9 20450	SHIFT YOKE(RTX MODELS)		X	X		X	X		X		X	X	X

PARTS LISTED IN THIS CATALOG ARE NOT NECESSARILY MANUFACTURED BY THE ORIGINAL EQUIPMENT MANUFACTURER AND ANY REFERENCE TO THE TRADEMARKS OR PART NUMBERS OF OTHERS ARE FOR CROSS REFERENCE INFORMATIONAL PURPOSES ONLY. THE TRADEMARKS OF OTHERS REFERRED TO HEREIN ARE OWNED BY THEIR RESPECTIVE COMPANIES AND ARE NOT AFFILIATED IN ANY WAY WITH MIDWEST TRUCK & AUTO PARTS, INC.® MOTIVE GEAR® AND WORLD AMERICAN® ARE THE REGISTERED TRADEMARKS OF MIDWEST TRUCK & AUTO PARTS, INC.® USE OF THE ® IN CONNECTION WITH A MARK OF MIDWEST TRUCK & AUTO PARTS, INC.® INDICATES THAT THE MARK IS REGISTERED IN AT LEAST THE UNITED STATES. NO REPRESENTATION IS MADE WITH RESPECT TO THE SOURCE OF MANUFACTURE OF ANY PARTICULAR PART. © 2005, MIDWEST TRUCK & AUTO PARTS, INC.® ALL RIGHTS RESERVED.

FULLER® 9 SPEED (Cont'd)

FIG. PART#	DESCRIPTION	RT" A-H"-11709	RTO/RTX" A "-11709	RTO/RTX" B "-11709 RTX "H"-12709	RT" A-H"-12709	RTO-RTX" A "-12709	RTO/RTX" B "-12709 RTX" H"-12709	RT" H"-13709	RTX" H"-13709	RT" A-H"-14709	RTO/RTX" A "-14709	RTO/RTX "B"-14709 RTX "H"-14709	RTX" B-H"-16709RTX "
10 16134	YOKE BAR (RT MODELS)	X	X	X	X	X	X	X	X	X	X	X	X
10 18928	YOKE BAR (RTX MODELS)		X	X		X	X		X		X	X	X
11 14659	SHIFTING BLOCK (RT MODELS)	X	X	X	X	X	X		X		X	X	
11 19063	SHIFTING BLOCK (RTX MODELS)		X	X		X	X		X		X	X	X
12 16566	BUSHING	X	X	X	X	X	X	X	X	X	X	X	X
13 20391	GEAR M/S 3RD 58T	X			X			X		X			
13 22027	GEAR M/S 48T		X			X				X			
13 23102	GEAR M/S 42T			X			X		X				
13 22031	GEAR M/S 48T											X	
13 4300190	GEAR M/S 42T											X	X
14 14750	SNAP RING	X	X	X	X	X	X	X	X	X	X	X	X
15 20390	GEAR M/S 2ND 56T	X	X		X	X		X		X	X		
15 19622	GEAR M/S 2ND SPD 50T			X			X		X			X	
15 4300246	GEAR M/S												X
16 14749	SPACER	X	X	X	X	X	X	X	X	X	X	X	X
17 16118	SLIDING CLUTCH	X	X	X	X	X	X	X	X	X	X	X	X
18 16135	SHIFT YOKE 2ND (RT MODELS)	X	X	X	X	X	X	X		X	X	X	
18 18922	SHIFT YOKE (RTX MODELS)		X	X		X	X		X		X	X	X
19 16133	YOKE BAR (RT MODELS)	X	X	X	X	X	X		X	X	X	X	
19 18927	YOKE BAR (RTX MODELS)		X	X		X	X		X		X	X	X
20 X-14-1200	BALL	X	X	X	X	X	X	X	X	X	X	X	X
21 1634	PIN	X	X	X	X	X	X	X	X	X	X	X	X
22 14658	SHIFTING BLOCK	X	X	X	X	X	X	X	X	X	X	X	X
23 20389	GEAR M/S 1ST 60T "A"	X			X					X			
23 4300064	GEAR M/S "H"	X			X				X				
23 20389	GEAR M/S 1ST 60T		X			X					X		
23 4300064	GEAR M/S						X						
23 21024	GEAR M/S 1ST SPD 60T			X		X		X				X	
23 4300240	GEAR M/S 60T												X
24 16754	GEAR M/S LOW 44T	X	X		X	X		X		X	X		

PARTS LISTED IN THIS CATALOG ARE NOT NECESSARILY MANUFACTURED BY THE ORIGINAL EQUIPMENT MANUFACTURER AND ANY REFERENCE TO THE TRADEMARKS OR PART NUMBERS OF OTHERS ARE FOR CROSS REFERENCE INFORMATIONAL PURPOSES ONLY. THE TRADEMARKS OF OTHERS REFERRED TO HEREIN ARE OWNED BY THEIR RESPECTIVE COMPANIES AND ARE NOT AFFILIATED IN ANY WAY WITH MIDWEST TRUCK & AUTO PARTS, INC.® MOTIVE GEAR® AND WORLD AMERICAN® ARE THE REGISTERED TRADEMARKS OF MIDWEST TRUCK & AUTO PARTS, INC.® USE OF THE ® IN CONNECTION WITH A MARK OF MIDWEST TRUCK & AUTO PARTS, INC.® INDICATES THAT THE MARK IS REGISTERED IN AT LEAST THE UNITED STATES. NO REPRESENTATION IS MADE WITH RESPECT TO THE SOURCE OF MANUFACTURE OF ANY PARTICULAR PART. © 2005, MIDWEST TRUCK & AUTO PARTS, INC.® ALL RIGHTS RESERVED.

FULLER®

9 SPEED (Cont'd)

FIG. PART#	DESCRIPTION	RT" A-H" -11709	RTO/RTX" A" -11709	RTO/RTX" B" -11709 RTX "H" -12709	RT" A-H" -12709	RTO-RTX" A" -12709	RTO/RTX" B" -12709 RTX" H" -12709	RT" H" -13709	RTX" H" -13709	RT" A-H" -14709	RTO/RTX" A" -14709	RTO/RTX" B" -14709 RTX "H" -14709	RTX" B-H" -16709RTX "
24 16754	GEAR M/S LOW 44T "B"			X			X					X	
24 4300033	GEAR M/S 46T "H"			X			X					X	
24 4300033	GEAR M/S 46T								X				
24 21502	GEAR M/S 44T "B"												X
24 4300242	GEAR M/S "H"												X
25 16131	REVERSE YOKE	X	X	X	X	X	X	X	X	X	X	X	X
26 16132	YOKE BAR (RT MODELS)	X	X	X	X	X	X	X		X	X	X	
26 18926	YOKE BAR (RTX MODELS)		X	X		X	X		X		X	X	X
27 10019	PIN	X	X	X	X	X	X	X	X	X	X	X	X
28 6392	SPRING	X	X	X	X	X	X	X	X	X	X	X	X
29 8968	PLUG	X	X	X	X	X	X	X	X	X	X	X	X
30 16756	REVERSE GEAR M/S 46T	X	X		X	X		X		X	X		
30 16756	REVERSE GEAR M/S "B" 46T "B"			X			X					X	X
30 23653	REVERSE GEAR "H"			X			X					X	X
30 23653	REVERSE GEAR								X				
31 S-2120	MAIN SHAFT ASSY 17T	X	X	X	X	X	X	X	X	X	X	X	X
32 21326	KEY - (OLD)	X	X	X	X	X	X	X	X	X	X	X	X
32 4300890	KEY - (NEW)	X	X	X	X	X	X	X	X	X	X	X	X
33 62504	PIN 3X16	X	X	X	X	X	X	X	X	X	X	X	X
34 X-7-1005	BOLT 5/8"	X	X	X	X	X	X	X	X	X	X	X	X
35 62511	PIN	X	X	X	X	X	X	X	X	X	X	X	X
36 19668	LOCKING DISK	X			X								
36 19548	LOCKING DISK		X	X		X	X	X	X	X	X	X	X
37 1309L	BEARING	X			X								
37 MS1309GEXR	BEARING		X	X		X	X	X	X	X	X	X	X
38 19198	SNAP RING	X	X	X	X	X	X	X	X	X	X	X	X
39 20459	GEAR C/S 69T	X			X			X		X			
39 21020	GEAR C/S 62T		X			X					X		
39 21018	GEAR C/S 66T			X			X		X			X	X
40 15953	GEAR C/S PTO 47T LH PTO (LEFT)	X	X	X	X	X	X	X	X	X	X	X	X
40 20840	GEAR C/S PTO 45T RH PTO (RIGHT)	X	X	X	X	X	X	X	X	X	X	X	X

PARTS LISTED IN THIS CATALOG ARE NOT NECESSARILY MANUFACTURED BY THE ORIGINAL EQUIPMENT MANUFACTURER AND ANY REFERENCE TO THE TRADEMARKS OR PART NUMBERS OF OTHERS ARE FOR CROSS REFERENCE INFORMATIONAL PURPOSES ONLY. THE TRADEMARKS OF OTHERS REFERRED TO HEREIN ARE OWNED BY THEIR RESPECTIVE COMPANIES AND ARE NOT AFFILIATED IN ANY WAY WITH MIDWEST TRUCK & AUTO PARTS, INC.® MOTIVE GEAR® AND WORLD AMERICAN® ARE THE REGISTERED TRADEMARKS OF MIDWEST TRUCK & AUTO PARTS, INC.® USE OF THE ® IN CONNECTION WITH A MARK OF MIDWEST TRUCK & AUTO PARTS, INC.® INDICATES THAT THE MARK IS REGISTERED IN AT LEAST THE UNITED STATES. NO REPRESENTATION IS MADE WITH RESPECT TO THE SOURCE OF MANUFACTURE OF ANY PARTICULAR PART. © 2005, MIDWEST TRUCK & AUTO PARTS, INC.® ALL RIGHTS RESERVED.

FULLER®

9 SPEED (Cont'd)

FIG. PART#	DESCRIPTION	RT" A-H"-11709	RTO/RTX" A"-11709	RTO/RTX" B"-11709 RTX "H"-12709	RT" A-H"-12709	RTO-RTX" A"-12709	RTO/RTX" B"-12709 RTX" H"-12709	RT" H"-13709	RTX" H"-13709	RT" A-H"-14709	RTO/RTX" A"-14709	RTO/RTX" B"-14709 RTX "H"-14709	RTX" B-H"-16709RTX "
41 21020	GEAR C/S 62T	X			X			X		X			
41 20459	GEAR C/S 69T		X			X							
41 21262	GEAR C/S 73T			X			X						
41 4300191	GEAR C/S 73T							X				X	X
41 20459	GEAR C/S 69T									X			
42 20482	GEAR C/S 2ND 44T	X	X		X	X		X		X	X		
42 21264	GEAR C/S 46T			X			X		X			X	
42 4300247	GEAR C/S												X
43 20471	GEAR C/S 1ST 35T "A"	X			X					X			
43 4300065	GEAR C/S "H"	X			X					X			
43 20471	GEAR C/S 1ST 35T		X			X					X		
43 21025	GEAR C/S 1ST 39T			X			X		X			X	
43 4300065	GEAR C/S							X					
43 4300241	GEAR C/S 39T												X
44 19549	COUNTERSHAFT 17T	X	X		X	X		X		X	X		
44 K-2934	COUNTERSHAFT KIT W/KEYS	X	X		X	X		X		X	X		
44 19549	COUNTERSHAFT 17T "B"			X			X						X
44 K-2934	COUNTERSHAFT KIT W/KEYS "B"			X			X						X
44 K-2956	COUNTERSHAFT KIT "H"			X			X						X
44 K-2956	COUNTERSHAFT KIT							X					
44 K-2937	COUNTERSHAFT KIT "B"												X
44 K-2958	COUNTERSHAFT KIT "H"												X
45 19673	KEY	X	X	X	X	X	X	X	X	X	X	X	X
46 62511	PIN	X	X	X	X	X	X	X	X	X	X	X	X
47 X-6-3	KEY	X	X	X	X	X	X	X	X	X	X	X	X
48 MU1308TV	BEARING	X	X	X	X	X	X	X	X	X	X	X	X
49 14317	SNAP RING	X	X	X	X	X	X	X	X	X	X	X	X
50 X-1-1008	NUT	X	X	X	X	X	X	X	X	X	X	X	X
51 14283	WASHER	X	X	X	X	X	X	X	X	X	X	X	X
52 14282	WASHER - (OLD)	X	X	X	X	X	X	X	X	X	X	X	X
52 4302982	WASHER - (NEW)	X	X	X	X	X	X	X	X	X	X	X	X

PARTS LISTED IN THIS CATALOG ARE NOT NECESSARILY MANUFACTURED BY THE ORIGINAL EQUIPMENT MANUFACTURER AND ANY REFERENCE TO THE TRADEMARKS OR PART NUMBERS OF OTHERS ARE FOR CROSS REFERENCE INFORMATIONAL PURPOSES ONLY. THE TRADEMARKS OF OTHERS REFERRED TO HEREIN ARE OWNED BY THEIR RESPECTIVE COMPANIES AND ARE NOT AFFILIATED IN ANY WAY WITH MIDWEST TRUCK & AUTO PARTS, INC.® MOTIVE GEAR® AND WORLD AMERICAN® ARE THE REGISTERED TRADEMARKS OF MIDWEST TRUCK & AUTO PARTS, INC.® USE OF THE ® IN CONNECTION WITH A MARK OF MIDWEST TRUCK & AUTO PARTS, INC.® INDICATES THAT THE MARK IS REGISTERED IN AT LEAST THE UNITED STATES. NO REPRESENTATION IS MADE WITH RESPECT TO THE SOURCE OF MANUFACTURE OF ANY PARTICULAR PART. © 2005, MIDWEST TRUCK & AUTO PARTS, INC.® ALL RIGHTS RESERVED.

FULLER®

9 SPEED (Cont'd)

FIG. PART#	DESCRIPTION	RT"A-H"-11709	RTO/RTX"A"-11709	RTO/RTX"B"-11709 RTX"H"-12709	RT"A-H"-12709	RTO-RTX"A"-12709	RTO/RTX"B"-12709 RTX"H"-12709	RT"H"-13709	RTX"H"-13709	RT"A-H"-14709	RTO/RTX"A"-14709	RTO/RTX"B"-14709 RTX"H"-14709	RTX"B-H"-16709RTX"
53 FWA1830	BEARING	X	X	X	X	X	X	X	X	X	X	X	X
54 16757	REVERSE GEAR 27T	X	X	X	X	X	X	X	X	X	X	X	X
55 14282	WASHER	X	X	X	X	X	X	X	X	X	X	X	X
56 16405	REVERSE GEAR PIN	X	X	X	X	X	X	X	X	X	X	X	X
57 5202	PLUG	X	X	X	X	X	X	X	X	X	X	X	X
58 21320	SNAP RING RETAINER	X	X	X	X	X	X	X	X	X	X	X	X
59 16763	SNAP RING	X	X	X	X	X	X	X	X	X	X	X	X
60 16628	SNAP RING	X	X	X	X	X	X	X	X	X	X	X	X
61 118L	BEARING	X	X	X	X	X	X	X	X	X	X	X	X
62 16138	RETAINER RING	X	X	X	X	X	X	X	X	X	X	X	X
63 21322	GEAR AUX. DRIVE 34T "A"	X			X								
63 21321	GEAR AUX. DRIVE 34T "H"	X			X								
63 21322	GEAR AUX. DRIVE 34T		X			X							
63 21321	GEAR AUX. DRIVE 34T			X			X						
63 23159	GEAR AUX. DRIVE							X	X				
63 23025	GEAR AUX. DRIVE "A"									X			
63 23159	GEAR AUX. DRIVE "H"									X			
63 23025	GEAR AUX. DRIVE										X		
63 23159	GEAR AUX. DRIVE											X	X
64 14897	SPRING	X	X	X	X	X	X	X	X	X	X	X	X
65 A-4938	SYNCHRONIZER RING	X	X	X	X	X	X	X	X	X	X	X	X
66 20323	SLIDING CLUTCH	X	X	X	X	X	X	X	X	X	X	X	X
67 A-4937	SYNCHRONIZER RING	X	X	X	X	X	X	X	X	X	X	X	X
68 A-5474	SHIFT YOKE ASSY	X	X	X	X	X	X	X	X	X	X	X	X
69 14347	GASKET	X	X	X	X	X	X	X	X	X	X	X	X
70 16778	CYLINDER	X	X	X	X	X	X	X	X	X	X	X	X
71 14765	O-RING	X	X	X	X	X	X	X	X	X	X	X	X
72 14341	PISTON	X	X	X	X	X	X	X	X	X	X	X	X
73 14345	O-RING	X	X	X	X	X	X	X	X	X	X	X	X
74 14344	O-RING	X	X	X	X	X	X	X	X	X	X	X	X
75 X-1-1010	NUT	X	X	X	X	X	X	X	X	X	X	X	X
76 14349	GASKET	X	X	X	X	X	X	X	X	X	X	X	X
77 19690	CYLINDER COVER	X	X	X	X	X	X	X	X	X	X	X	X

PARTS LISTED IN THIS CATALOG ARE NOT NECESSARILY MANUFACTURED BY THE ORIGINAL EQUIPMENT MANUFACTURER AND ANY REFERENCE TO THE TRADEMARKS OR PART NUMBERS OF OTHERS ARE FOR CROSS REFERENCE INFORMATIONAL PURPOSES ONLY. THE TRADEMARKS OF OTHERS REFERRED TO HEREIN ARE OWNED BY THEIR RESPECTIVE COMPANIES AND ARE NOT AFFILIATED IN ANY WAY WITH MIDWEST TRUCK & AUTO PARTS, INC.® MOTIVE GEAR® AND WORLD AMERICAN® ARE THE REGISTERED TRADEMARKS OF MIDWEST TRUCK & AUTO PARTS, INC.® USE OF THE ® IN CONNECTION WITH A MARK OF MIDWEST TRUCK & AUTO PARTS, INC.® INDICATES THAT THE MARK IS REGISTERED IN AT LEAST THE UNITED STATES. NO REPRESENTATION IS MADE WITH RESPECT TO THE SOURCE OF MANUFACTURE OF ANY PARTICULAR PART. © 2005, MIDWEST TRUCK & AUTO PARTS, INC.® ALL RIGHTS RESERVED.

FULLER®

9 SPEED (Cont'd)

FIG. PART#	DESCRIPTION	RT [™] "A-H"-11709	RTO/RTX [™] "A"-11709	RTO/RTX [™] "B"-11709 RTX [™] "H"-12709	RT [™] "A-H"-12709	RTO-RTX [™] "A"-12709	RTO/RTX [™] "B"-12709 RTX [™] "H"-12709	RT [™] "H"-13709	RTX [™] "H"-13709	RT [™] "A-H"-14709	RTO/RTX [™] "A"-14709	RTO/RTX [™] "B"-14709 RTX [™] "H"-14709	RTX [™] "B-H"-16709RTX [™]
78 22896	OUTPUT SHAFT	×	×	×									
78 23022	OUTPUT SHAFT				×	×	×	×	×				
78 22970	OUTPUT SHAFT									×	×	×	
78 4300312	OUTPUT SHAFT												×
79 22899	SPACER	×	×	×	×	×	×	×	×	×	×	×	×
80 22897	GEAR	×	×										
80 4300034	GEAR			×									
80 23023	GEAR				×	×		×		×	×		
80 4300035	GEAR						×		×			×	×
81 22898	WASHER	×	×	×	×	×	×	×	×	×	×	×	×
82 20192	SPACER	×	×	×	×	×	×	×					
82 20191	SPACER								×	×	×	×	
83 22254	NUT	×	×	×	×	×	×	×	×	×	×	×	×
84 ST4276	BEARING	×	×	×	×	×	×	×	×	×	×	×	×
85 A-5475	COUNTERSHAFT ASSY "A"	×											
85 A-5672	COUNTERSHAFT ASSY "H"	×											
85 A-5475	COUNTERSHAFT ASSY		×										
85 A-5667	COUNTERSHAFT ASSY			×									
85 A-5490	COUNTERSHAFT ASSY "A"				×								
85 A-5673	COUNTERSHAFT ASSY "H"				×								
85 A-5490	COUNTERSHAFT ASSY					×							
85 A-5668	COUNTERSHAFT ASSY						×						
85 A-5674	COUNTERSHAFT ASSY							×					
85 A-5669	COUNTERSHAFT ASSY								×				
85 A-5491	COUNTERSHAFT ASSY "A"									×			
85 A-5674	COUNTERSHAFT ASSY "H"									×			
85 A-5491	COUNTERSHAFT ASSY										×		
85 A-5669	COUNTERSHAFT ASSY											×	×
86 22903	WASHER	×	×	×	×	×	×	×	×	×	×	×	×
87 14335	GASKET	×	×	×	×	×	×	×	×	×	×	×	×
88 21355	BEARING	×	×	×	×	×	×	×	×				
88 21356	BEARING									×	×	×	×

PARTS LISTED IN THIS CATALOG ARE NOT NECESSARILY MANUFACTURED BY THE ORIGINAL EQUIPMENT MANUFACTURER AND ANY REFERENCE TO THE TRADEMARKS OR PART NUMBERS OF OTHERS ARE FOR CROSS REFERENCE INFORMATIONAL PURPOSES ONLY. THE TRADEMARKS OF OTHERS REFERRED TO HEREIN ARE OWNED BY THEIR RESPECTIVE COMPANIES AND ARE NOT AFFILIATED IN ANY WAY WITH MIDWEST TRUCK & AUTO PARTS, INC.® MOTIVE GEAR® AND WORLD AMERICAN® ARE THE REGISTERED TRADEMARKS OF MIDWEST TRUCK & AUTO PARTS, INC.® USE OF THE ® IN CONNECTION WITH A MARK OF MIDWEST TRUCK & AUTO PARTS, INC.® INDICATES THAT THE MARK IS REGISTERED IN AT LEAST THE UNITED STATES. NO REPRESENTATION IS MADE WITH RESPECT TO THE SOURCE OF MANUFACTURE OF ANY PARTICULAR PART. © 2005, MIDWEST TRUCK & AUTO PARTS, INC.® ALL RIGHTS RESERVED.

FULLER® 9 SPEED (Cont'd)

FIG. PART#	DESCRIPTION	RT" A-H"-11709	RTO/RTX" A"-11709	RTO/RTX" B"-11709 RTX" H"-12709	RT" A-H"-12709	RTO-RTX" A"-12709	RTO/RTX" B"-12709 RTX" H"-12709	RT" H"-13709	RTX" H"-13709	RT" A-H"-14709	RTO/RTX" A"-14709	RTO/RTX" B"-14709 RTX" H"-14709	RTX" B-H"-16709/RTX "
90 21345	GASKET	X	X	X	X	X	X	X	X	X	X	X	X
91 21346	COVER	X	X	X	X	X	X	X	X	X	X	X	X
92 22969	WASHER									X	X	X	X
93 22900	COVER	X	X	X	X	X	X	X	X	X	X	X	X
94 K-3209	IDLER SHAFT REPL. KIT	X	X	X	X	X	X	X	X	X	X	X	X
95 K-1946	SYNCHRONIZER KIT	X	X	X	X	X	X	X	X	X	X	X	X
96 T20099	SYNCHRO CLUTCH ASSY	X	X	X	X	X	X	X	X	X	X	X	X
97 K-1947	SYNCHRO KIT W/SLIDING CLUTCH	X	X	X	X	X	X	X	X	X	X	X	X
97 K-1948	SYNCHRO KIT W/SLIDING CLUTCH	X	X	X	X	X	X	X	X	X	X	X	X

CALL YOUR SALES REP FOR BEARING & SEAL KITS



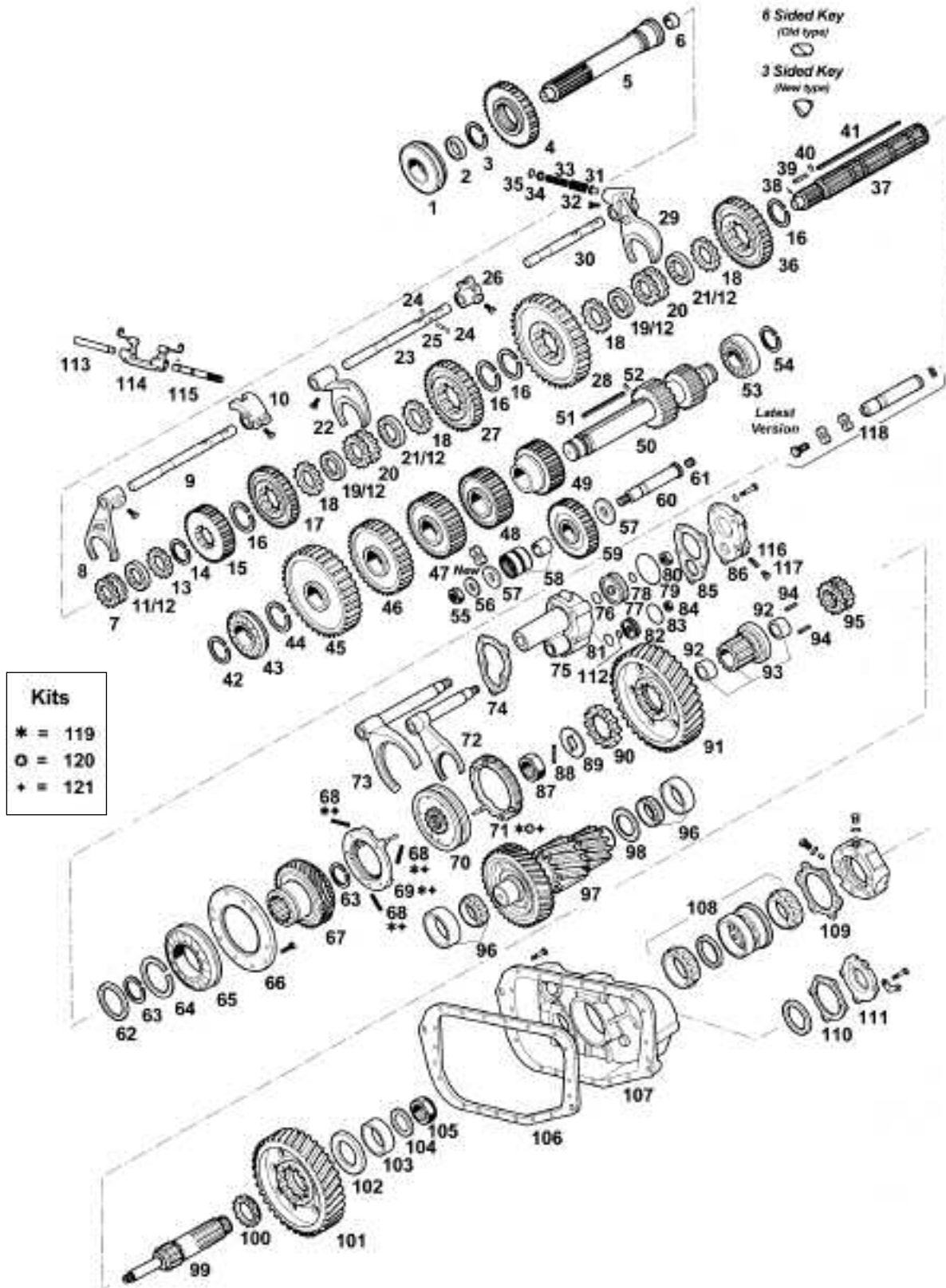
PARTS LISTED IN THIS CATALOG ARE NOT NECESSARILY MANUFACTURED BY THE ORIGINAL EQUIPMENT MANUFACTURER AND ANY REFERENCE TO THE TRADEMARKS OR PART NUMBERS OF OTHERS ARE FOR CROSS REFERENCE INFORMATIONAL PURPOSES ONLY. THE TRADEMARKS OF OTHERS REFERRED TO HEREIN ARE OWNED BY THEIR RESPECTIVE COMPANIES AND ARE NOT AFFILIATED IN ANY WAY WITH MIDWEST TRUCK & AUTO PARTS, INC.® MOTIVE GEAR® AND WORLD AMERICAN® ARE THE REGISTERED TRADEMARKS OF MIDWEST TRUCK & AUTO PARTS, INC.® USE OF THE ® IN CONNECTION WITH A MARK OF MIDWEST TRUCK & AUTO PARTS, INC.® INDICATES THAT THE MARK IS REGISTERED IN AT LEAST THE UNITED STATES. NO REPRESENTATION IS MADE WITH RESPECT TO THE SOURCE OF MANUFACTURE OF ANY PARTICULAR PART. © 2005, MIDWEST TRUCK & AUTO PARTS, INC.® ALL RIGHTS RESERVED.

FULLER® 9 SPEED

RTLOL-11707LL SERIES

RTO-13707DLL SERIES

RTO-13707MLL SERIES



PARTS LISTED IN THIS CATALOG ARE NOT NECESSARILY MANUFACTURED BY THE ORIGINAL EQUIPMENT MANUFACTURER AND ANY REFERENCE TO THE TRADEMARKS OR PART NUMBERS OF OTHERS ARE FOR CROSS REFERENCE INFORMATIONAL PURPOSES ONLY. THE TRADEMARKS OF OTHERS REFERRED TO HEREIN ARE OWNED BY THEIR RESPECTIVE COMPANIES AND ARE NOT AFFILIATED IN ANY WAY WITH MIDWEST TRUCK & AUTO PARTS, INC.® MOTIVE GEAR® AND WORLD AMERICAN® ARE THE REGISTERED TRADEMARKS OF MIDWEST TRUCK & AUTO PARTS, INC.® USE OF THE ® IN CONNECTION WITH A MARK OF MIDWEST TRUCK & AUTO PARTS, INC.® INDICATES THAT THE MARK IS REGISTERED IN AT LEAST THE UNITED STATES. NO REPRESENTATION IS MADE WITH RESPECT TO THE SOURCE OF MANUFACTURE OF ANY PARTICULAR PART. © 2005, MIDWEST TRUCK & AUTO PARTS, INC.® ALL RIGHTS RESERVED.

FULLER®

9 SPEED (Cont'd)

FIG.	PART#	DESCRIPTION	RTLO-11707LL SERIES	RTO-13707DLL SERIES	RTO-13707MLL SERIES
1	212SLV	BEARING	X	X	X
2	16396	SPACER	X	X	X
3	14289	SNAP RING	X	X	X
4	19168	GEAR MAIN DRIVE	X		
4	4300296	GEAR MAIN DRIVE		X	X
5	INPUT SHAFTS (SEE PGS. 320-322)				
6	16566	BUSHING	X	X	X
7	14654	SLIDING CLUTCH	X		
7	23139	SLIDING CLUTCH		X	X
8	19878	SHIFT YOKE	X		
8	4300536	SHIFT YOKE		X	X
9	19988	YOKE BAR	X	X	X
10	19078	SHIFTING BLOCK	X	X	X
11	14274	WASHER S.6, 299-6, 350 MM (WHITE)	X		
11	14275	WASHER S.6, 426-6, 477 MM (GREEN)	X		
11	14276	WASHER S.6, 553-6, 604 MM (ORANGE)	X		
11	14277	WASHER S.6, 680-6, 731 MM (PURPLE)	X		
11	14278	WASHER S.6, 807-6, 858 MM (YELLOW)	X		
11	14279	WASHER S.6, 934-6, 985 MM (BLACK)	X		
12	14711	WASHER S.6, 299-6, 350 MM (WHITE-OLD)		X	X
12	14712	WASHER S.6, 426-6, 477 MM (GREEN-OLD)		X	X
12	14713	WASHER S.6, 553-6, 604 MM (ORANGE-OLD)		X	X
12	14714	WASHER S.6, 680-6, 731 MM (PURPLE-OLD)		X	X
12	14715	WASHER S.6, 807-6, 858 MM (YELLOW-OLD)		X	X
12	14716	WASHER S.6, 934-6, 985 MM (BLACK-OLD)		X	X
12	4300830	WASHER (BLUE-NEW)		X	X
12	4300382	WASHER (WHITE-NEW)		X	X
12	4300383	WASHER (GREEN-NEW)		X	X
12	4300384	WASHER (ORANGE-NEW)		X	X
12	4300385	WASHER (PURPLE-NEW)		X	X
12	4300386	WASHER (YELLOW-NEW)		X	X
12	4300387	WASHER (BLACK-NEW)		X	X
13	14273	SPACER	X	X	X
14	14289	SNAP RING	X	X	X
15	19182	GEAR M/S	X		
15	4300297	GEAR M/S		X	X
16	14750	SNAP RING	X	X	X
17	19612	GEAR M/S	X		
17	4300290	GEAR M/S		X	X
18	14749	SPACER	X	X	X
19	14711	WASHER S.6, 299-6, 350 MM	X		
20	14709	SLIDING CLUTCH	X	X	X
21	14711	WASHER S.6, 299-6, 350 MM (WHITE)	X		

PARTS LISTED IN THIS CATALOG ARE NOT NECESSARILY MANUFACTURED BY THE ORIGINAL EQUIPMENT MANUFACTURER AND ANY REFERENCE TO THE TRADEMARKS OR PART NUMBERS OF OTHERS ARE FOR CROSS REFERENCE INFORMATIONAL PURPOSES ONLY. THE TRADEMARKS OF OTHERS REFERRED TO HEREIN ARE OWNED BY THEIR RESPECTIVE COMPANIES AND ARE NOT AFFILIATED IN ANY WAY WITH MIDWEST TRUCK & AUTO PARTS, INC.® MOTIVE GEAR® AND WORLD AMERICAN® ARE THE REGISTERED TRADEMARKS OF MIDWEST TRUCK & AUTO PARTS, INC.® USE OF THE ® IN CONNECTION WITH A MARK OF MIDWEST TRUCK & AUTO PARTS, INC.® INDICATES THAT THE MARK IS REGISTERED IN AT LEAST THE UNITED STATES. NO REPRESENTATION IS MADE WITH RESPECT TO THE SOURCE OF MANUFACTURE OF ANY PARTICULAR PART. © 2005, MIDWEST TRUCK & AUTO PARTS, INC.® ALL RIGHTS RESERVED.

FULLER®

9 SPEED (Cont'd)

FIG.	PART#	DESCRIPTION	RTLO-11707LL SERIES	RTO-13707DLL SERIES	RTO-13707MLL SERIES
21	14712	WASHER S.6, 426-6, 477 MM (GREEN)	X		
21	14713	WASHER S.6, 553-6, 604 MM (ORANGE)	X		
21	14714	WASHER S.6, 680-6, 731 MM (PURPLE)	X		
21	14715	WASHER S.6, 807-6, 858 MM (YELLOW)	X		
21	14716	WASHER S.6, 934-6, 985 MM (BLACK)	X		
22	16135	SHIFT YOKE 2ND	X	X	X
23	19987	YOKE BAR	X	X	X
24	X-14-1200	BALL	X	X	X
25	1634	PIN	X	X	X
26	20014	SHIFTING BLOCK	X	X	X
27	19177	GEAR M/S	X		
27	4300292	GEAR M/S		X	X
28	19082	GEAR M/S	X		
28	4300294	GEAR M/S		X	X
29	19809	REVERSE YOKE	X	X	X
30	19986	YOKE BAR	X	X	X
31	19790	PLUG	X	X	X
32	19791	SPRING	X	X	X
33	19838	SPRING	X	X	X
34	19792	RETAINER	X	X	X
35	19793	SNAP RING	X	X	X
36	19313	GEAR M/S	X		
36	23213	GEAR M/S		X	X
37	S-1551	MAIN SHAFT ASSY	X		
37	S-1781	MAIN SHAFT ASSY		X	X
38	14382	PIN	X	X	X
39	14884	KEY	X	X	X
40	62511	PIN	X	X	X
41	21339	KEY	X		
41	21339	KEY - (OLD)		X	X
41	4300976	KEY - (NEW)		X	X
42	15253	SNAP RING	X	X	X
43	1309L	BEARING	X	X	X
44	20085	SNAP RING	X	X	X
45	20133	GEAR C/S	X		
45	4300287	GEAR C/S		X	X
46	14307	GEAR C/S LH (LEFT)	X	X	X
46	14886	GEAR C/S RH 45T (RIGHT)	X	X	X
47	19181	GEAR C/S	X		
47	4300289	GEAR C/S		X	X
48	19613	GEAR C/S	X		
48	4300291	GEAR C/S		X	X
49	19178	GEAR C/S	X		

PARTS LISTED IN THIS CATALOG ARE NOT NECESSARILY MANUFACTURED BY THE ORIGINAL EQUIPMENT MANUFACTURER AND ANY REFERENCE TO THE TRADEMARKS OR PART NUMBERS OF OTHERS ARE FOR CROSS REFERENCE INFORMATIONAL PURPOSES ONLY. THE TRADEMARKS OF OTHERS REFERRED TO HEREIN ARE OWNED BY THEIR RESPECTIVE COMPANIES AND ARE NOT AFFILIATED IN ANY WAY WITH MIDWEST TRUCK & AUTO PARTS, INC.® MOTIVE GEAR® AND WORLD AMERICAN® ARE THE REGISTERED TRADEMARKS OF MIDWEST TRUCK & AUTO PARTS, INC.® USE OF THE ® IN CONNECTION WITH A MARK OF MIDWEST TRUCK & AUTO PARTS, INC.® INDICATES THAT THE MARK IS REGISTERED IN AT LEAST THE UNITED STATES. NO REPRESENTATION IS MADE WITH RESPECT TO THE SOURCE OF MANUFACTURE OF ANY PARTICULAR PART. © 2005, MIDWEST TRUCK & AUTO PARTS, INC.® ALL RIGHTS RESERVED.

FULLER®

9 SPEED (Cont'd)

FIG.	PART#	DESCRIPTION	RTLO-11707LL SERIES	RTO-13707DLL SERIES	RTO-13707MLL SERIES
49	4300293	GEAR C/S		X	X
50	20134	COUNTERSHAFT	X		
50	4300295	COUNTERSHAFT		X	X
51	16664	KEY	X	X	X
52	62511	PIN	X	X	X
53	MU1308TV	BEARING	X	X	X
54	14317	SNAP RING	X	X	X
55	X-1-1008	NUT	X	X	X
56	14283	WASHER	X	X	X
57	14282	WASHER - (OLD)	X	X	X
57	4302982	WASHER - (NEW)	X	X	X
58	FWA1830	BEARING	X	X	X
59	16757	REVERSE GEAR 27T	X		
59	23214	REVERSE GEAR		X	X
60	16405	REVERSE GEAR PIN	X	X	X
61	5202	PLUG	X	X	X
62	21320	SNAP RING RETAINER	X	X	X
63	16763	SNAP RING	X	X	X
64	16628	SNAP RING	X	X	X
65	118L	BEARING	X	X	X
66	16138	RETAINER RING	X	X	X
67	21321	GEAR AUX. DRIVE 34T	X	X	X
68	14897	SPRING	X	X	X
69	A-4938	SYNCHRONIZER RING	X	X	X
70	20323	SLIDING CLUTCH	X	X	X
71	A-4937	SYNCHRONIZER RING	X	X	X
72	A-5160	SELECTOR FORK	X	X	X
73	A-5159	SELECTOR FORK	X	X	X
74	21332	GASKET	X	X	X
75	21330	CYLINDER	X	X	X
76	14765	O-RING	X	X	X
77	14341	PISTON	X	X	X
78	14345	O-RING	X	X	X
79	14344	O-RING	X	X	X
80	X-1-1010	NUT	X	X	X
81	14644	O-RING	X	X	X
82	21337	PISTON	X		
82	4301320	PISTON		X	X
83	20423	O-RING	X	X	X
84	X-1-803	NUT	X	X	X

PARTS LISTED IN THIS CATALOG ARE NOT NECESSARILY MANUFACTURED BY THE ORIGINAL EQUIPMENT MANUFACTURER AND ANY REFERENCE TO THE TRADEMARKS OR PART NUMBERS OF OTHERS ARE FOR CROSS REFERENCE INFORMATIONAL PURPOSES ONLY. THE TRADEMARKS OF OTHERS REFERRED TO HEREIN ARE OWNED BY THEIR RESPECTIVE COMPANIES AND ARE NOT AFFILIATED IN ANY WAY WITH MIDWEST TRUCK & AUTO PARTS, INC.® MOTIVE GEAR® AND WORLD AMERICAN® ARE THE REGISTERED TRADEMARKS OF MIDWEST TRUCK & AUTO PARTS, INC.® USE OF THE ® IN CONNECTION WITH A MARK OF MIDWEST TRUCK & AUTO PARTS, INC.® INDICATES THAT THE MARK IS REGISTERED IN AT LEAST THE UNITED STATES. NO REPRESENTATION IS MADE WITH RESPECT TO THE SOURCE OF MANUFACTURE OF ANY PARTICULAR PART. © 2005, MIDWEST TRUCK & AUTO PARTS, INC.® ALL RIGHTS RESERVED.

FULLER®

9 SPEED (Cont'd)

FIG.	PART#	DESCRIPTION	RTLO-11707LL SERIES	RTO-13707DLL SERIES	RTO-13707MLL SERIES
85	21331	GASKET	X	X	X
86	21329	CYLINDER COVER	X	X	X
87	21365	NUT	X	X	X
88	17332	PIN	X	X	X
89	21347	WASHER	X	X	X
90	21350	WASHER S.6, 60-6, 55 MM	X	X	X
91	21361	GEAR 48T	X		
91	21319	GEAR 48T		X	X
92	21352	BUSHING	X	X	X
93	A-5156	MAIN SHAFT ASSY 18T	X	X	X
94	21652	PIN	X	X	X
95	21360	SLIDING CLUTCH	X	X	X
96	ST4276	BEARING	X	X	X
97	A-5158	COUNTERSHAFT ASSY		X	X
97	A-5836	COUNTERSHAFT ASSY			X
98	21342	WASHER	X	X	X
99	21325	OUTPUT SHAFT 18T	X	X	X
100	21354	WASHER	X	X	X
101	21361	GEAR 48T	X	X	
101	4300677	GEAR M/S			X
102	21358	WASHER	X	X	X
103	16295	SPACER	X	X	X
104	16337	WASHER S.4, 76 MM	X		
105	22254	NUT	X	X	X
106	14335	GASKET	X	X	X
107	21431	REAR HOUSING	X	X	X
108	21356	BEARING	X	X	X
109	21364	GASKET	X	X	X
110	21345	GASKET	X	X	X
111	21346	COVER	X	X	X
112	4301348	O-RING		X	X
113	14494	PEDAL SHAFT	X		
114	12817	YOKE-CLUTCH RELEASE	X		
115	1984	PEDAL SHAFT	X		
115	1983	PEDAL SHAFT	X		

PARTS LISTED IN THIS CATALOG ARE NOT NECESSARILY MANUFACTURED BY THE ORIGINAL EQUIPMENT MANUFACTURER AND ANY REFERENCE TO THE TRADEMARKS OR PART NUMBERS OF OTHERS ARE FOR CROSS REFERENCE INFORMATIONAL PURPOSES ONLY. THE TRADEMARKS OF OTHERS REFERRED TO HEREIN ARE OWNED BY THEIR RESPECTIVE COMPANIES AND ARE NOT AFFILIATED IN ANY WAY WITH MIDWEST TRUCK & AUTO PARTS, INC.® MOTIVE GEAR® AND WORLD AMERICAN® ARE THE REGISTERED TRADEMARKS OF MIDWEST TRUCK & AUTO PARTS, INC.® USE OF THE ® IN CONNECTION WITH A MARK OF MIDWEST TRUCK & AUTO PARTS, INC.® INDICATES THAT THE MARK IS REGISTERED IN AT LEAST THE UNITED STATES. NO REPRESENTATION IS MADE WITH RESPECT TO THE SOURCE OF MANUFACTURE OF ANY PARTICULAR PART. © 2005, MIDWEST TRUCK & AUTO PARTS, INC.® ALL RIGHTS RESERVED.

FULLER® 9 SPEED (Cont'd)

116	19974	INSERT VALVE	X	X	X
117	15719	PLUG	X	X	X
118	K-3209	IDLER SHAFT REPL. KIT	X	X	X
119	K-1946	SYNCHRONIZER KIT	X	X	X
120	T20099	SYNCHRO CLUTCH ASSY	X	X	X
121	K-1947	SYNCHRO KIT W/SLIDING CLUTCH (OLD)	X	X	X
121	K-1948	SYNCHRO KIT W/SLIDING CLUTCH (NEW)	X	X	X

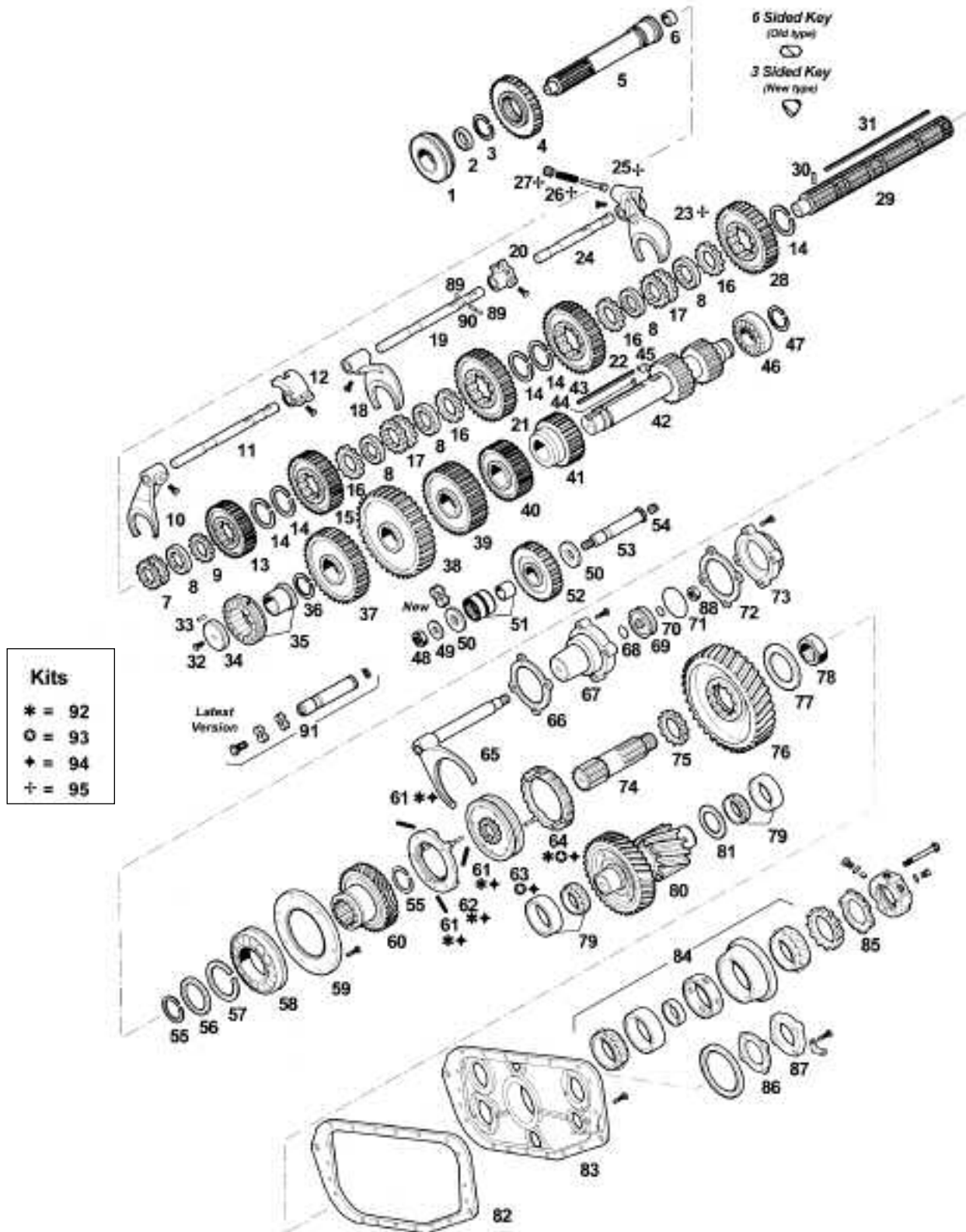
CALL YOUR SALES REP FOR BEARING & SEAL KITS



PARTS LISTED IN THIS CATALOG ARE NOT NECESSARILY MANUFACTURED BY THE ORIGINAL EQUIPMENT MANUFACTURER AND ANY REFERENCE TO THE TRADEMARKS OR PART NUMBERS OF OTHERS ARE FOR CROSS REFERENCE INFORMATIONAL PURPOSES ONLY. THE TRADEMARKS OF OTHERS REFERRED TO HEREIN ARE OWNED BY THEIR RESPECTIVE COMPANIES AND ARE NOT AFFILIATED IN ANY WAY WITH MIDWEST TRUCK & AUTO PARTS, INC.® MOTIVE GEAR® AND WORLD AMERICAN® ARE THE REGISTERED TRADEMARKS OF MIDWEST TRUCK & AUTO PARTS, INC.® USE OF THE ® IN CONNECTION WITH A MARK OF MIDWEST TRUCK & AUTO PARTS, INC.® INDICATES THAT THE MARK IS REGISTERED IN AT LEAST THE UNITED STATES. NO REPRESENTATION IS MADE WITH RESPECT TO THE SOURCE OF MANUFACTURE OF ANY PARTICULAR PART. © 2005, MIDWEST TRUCK & AUTO PARTS, INC.® ALL RIGHTS RESERVED.

FULLER® 10 SPEED

MODELS RT "B"-11710, RTX "B"-11710, RTX "C"-11710, RT "B"-12710, RTX "B"-12710
 RTX "C"-12710, RT "B"-13710, RTX "B"-13710, RTX "C"-13710, RT "B"-14710,
 RTX "B"-14710, RTX "C"-14710



PARTS LISTED IN THIS CATALOG ARE NOT NECESSARILY MANUFACTURED BY THE ORIGINAL EQUIPMENT MANUFACTURER AND ANY REFERENCE TO THE TRADEMARKS OR PART NUMBERS OF OTHERS ARE FOR CROSS REFERENCE INFORMATIONAL PURPOSES ONLY. THE TRADEMARKS OF OTHERS REFERRED TO HEREIN ARE OWNED BY THEIR RESPECTIVE COMPANIES AND ARE NOT AFFILIATED IN ANY WAY WITH MIDWEST TRUCK & AUTO PARTS, INC.® MOTIVE GEAR® AND WORLD AMERICAN® ARE THE REGISTERED TRADEMARKS OF MIDWEST TRUCK & AUTO PARTS, INC.® USE OF THE ® IN CONNECTION WITH A MARK OF MIDWEST TRUCK & AUTO PARTS, INC.® INDICATES THAT THE MARK IS REGISTERED IN AT LEAST THE UNITED STATES. NO REPRESENTATION IS MADE WITH RESPECT TO THE SOURCE OF MANUFACTURE OF ANY PARTICULAR PART. © 2005, MIDWEST TRUCK & AUTO PARTS, INC.® ALL RIGHTS RESERVED.

FULLER® 10 SPEED

FIG. PART#	DESCRIPTION	RT "B" - 11710	RTX "B" - 11710	RTX "C" - 11710	RT "B" - 12710	RTX "B" - 12710	RTX "C" - 12710	RT "B" - 13710	RTX "B" - 13710	RTX "C" - 13710	RT "B" - 14710	RTX "B" - 14710	RTX "C" - 14710
1	212SLV BEARING	X	X	X	X	X	X	X	X	X	X	X	X
2	16463 SPACER	X	X	X	X	X	X	X	X	X	X	X	X
3	14750 SNAP RING	X	X	X	X	X	X	X	X	X	X	X	X
4	20458 GEAR MAIN DRIVE 48T	X			X			X			X		X
4	22028 GEAR MAIN DRIVE 58T		X			X			X			X	
4	22959 GEAR MAIN DRIVE			X			X						
4	22961 GEAR MAIN DRIVE 52T									X			X
5	INPUT SHAFTS (SEE PGS. 323-326)												
6	16566 BUSHING	X	X	X	X	X	X	X	X	X	X	X	X
7	16118 SLIDING CLUTCH	X			X			X			X		X
7	22026 SLIDING CLUTCH		X	X		X	X		X	X		X	X
8	14711 WASHER S.6, 299-6, 350 MM (WHITE-OLD)	X	X	X	X	X	X	X	X	X	X	X	X
8	14712 WASHER S.6, 426-6, 477 MM (GREEN-OLD)	X	X	X	X	X	X	X	X	X	X	X	X
8	14713 WASHER S.6, 553-6, 604 MM (ORANGE-OLD)	X	X	X	X	X	X	X	X	X	X	X	X
8	14714 WASHER S.6, 680-6, 731 MM (PURPLE-OLD)	X	X	X	X	X	X	X	X	X	X	X	X
8	14715 WASHER S.6, 807-6, 858 MM (YELLOW-OLD)	X	X	X	X	X	X	X	X	X	X	X	X
8	14716 WASHER S.6, 934-6, 985 MM (BLACK-OLD)	X	X	X	X	X	X	X	X	X	X	X	X
8	4300830 WASHER (BLUE-NEW)	X	X	X	X	X	X	X	X	X	X	X	X
8	4300382 WASHER (WHITE-NEW)	X	X	X	X	X	X	X	X	X	X	X	X
8	4300383 WASHER (GREEN-NEW)	X	X	X	X	X	X	X	X	X	X	X	X
8	4300384 WASHER (ORANGE-NEW)	X	X	X	X	X	X	X	X	X	X	X	X
8	4300385 WASHER (PURPLE-NEW)	X	X	X	X	X	X	X	X	X	X	X	X
8	4300386 WASHER (YELLOW-NEW)	X	X	X	X	X	X	X	X	X	X	X	X
8	4300387 WASHER (BLACK-NEW)	X	X	X	X	X	X	X	X	X	X	X	X
9	14749 SPACER	X			X			X			X		X
9	22032 SPACER		X	X		X	X		X	X		X	X
10	16136 SHIFT YOKE	X			X			X			X		X
10	20450 SHIFT YOKE		X	X		X	X		X	X		X	X

PARTS LISTED IN THIS CATALOG ARE NOT NECESSARILY MANUFACTURED BY THE ORIGINAL EQUIPMENT MANUFACTURER AND ANY REFERENCE TO THE TRADEMARKS OR PART NUMBERS OF OTHERS ARE FOR CROSS REFERENCE INFORMATIONAL PURPOSES ONLY. THE TRADEMARKS OF OTHERS REFERRED TO HEREIN ARE OWNED BY THEIR RESPECTIVE COMPANIES AND ARE NOT AFFILIATED IN ANY WAY WITH MIDWEST TRUCK & AUTO PARTS, INC.® MOTIVE GEAR® AND WORLD AMERICAN® ARE THE REGISTERED TRADEMARKS OF MIDWEST TRUCK & AUTO PARTS, INC.® USE OF THE ® IN CONNECTION WITH A MARK OF MIDWEST TRUCK & AUTO PARTS, INC.® INDICATES THAT THE MARK IS REGISTERED IN AT LEAST THE UNITED STATES. NO REPRESENTATION IS MADE WITH RESPECT TO THE SOURCE OF MANUFACTURE OF ANY PARTICULAR PART. © 2005, MIDWEST TRUCK & AUTO PARTS, INC.® ALL RIGHTS RESERVED.

FULLER®

10 SPEED (Cont'd)

FIG. PART#	DESCRIPTION	<i>RT "B" - 11710</i>	<i>RTX "B" - 11710</i>	<i>RTX "C" - 11710</i>	<i>RT "B" - 12710</i>	<i>RTX "B" - 12710</i>	<i>RTX "C" - 12710</i>	<i>RT "B" - 13710</i>	<i>RTX "B" - 13710</i>	<i>RTX "C" - 13710</i>	<i>RT "B" - 14710</i>	<i>RTX "B" - 14710</i>	<i>RTX "C" - 14710</i>
11 16134	YOKE BAR	X			X			X			X		
11 18928	YOKE BAR		X	X		X	X		X	X		X	X
12 14659	SHIFTING BLOCK	X			X			X			X		
12 19063	SHIFTING BLOCK		X	X		X	X		X	X		X	X
13 20391	GEAR M/S 3RD 58T	X			X			X			X		
13 22027	GEAR M/S 48T		X			X			X			X	
13 23102	GEAR M/S 42T			X			X			X			
13 4300190	GEAR M/S 42T												X
14 14750	SNAP RING	X	X	X	X	X	X	X	X	X	X	X	X
15 20390	GEAR M/S 2ND 56T	X	X		X	X		X	X		X	X	
15 19622	GEAR M/S 2ND SPD 50T			X		X			X	X			X
16 14749	SPACER	X	X	X	X	X	X	X	X	X	X	X	X
17 16118	SLIDING CLUTCH	X	X	X	X	X	X	X	X	X	X	X	X
18 16135	SHIFT YOKE 2ND	X			X			X			X		
18 18922	SHIFT YOKE		X	X		X	X		X	X		X	X
19 16133	YOKE BAR	X			X			X			X		
19 18927	YOKE BAR		X	X		X	X		X	X		X	X
20 14658	SHIFTING BLOCK	X	X	X	X	X	X	X	X	X	X	X	X
21 20389	GEAR M/S 1ST 60T	X	X		X	X		X	X		X	X	
21 20381	GEAR M/S 58T			X			X			X			X
22 4300859	GEAR M/S	X	X			X							
22 4301219	GEAR M/S			X			X						
22 4300858	GEAR M/S				X			X	X		X	X	
22 4301220	GEAR M/S									X			X
23 16131	REVERSE YOKE	X	X	X	X	X	X	X	X	X	X	X	X
24 16132	YOKE BAR	X			X			X			X		
24 18926	YOKE BAR		X	X		X	X		X	X		X	X
25 10019	PIN	X	X	X	X	X	X	X	X	X	X	X	X
26 6392	SPRING	X	X	X	X	X	X	X	X	X	X	X	X
27 8968	PLUG	X	X	X	X	X	X	X	X	X	X	X	X
28 23653	REVERSE GEAR	X	X		X	X		X	X		X	X	
28 4301222	REVERSE GEAR			X			X			X			X
29 S-2120	MAIN SHAFT ASSY 17T	X	X	X	X	X	X	X	X	X	X	X	X
30 62504	PIN 3X16	X	X	X	X	X	X	X	X	X	X	X	X

PARTS LISTED IN THIS CATALOG ARE NOT NECESSARILY MANUFACTURED BY THE ORIGINAL EQUIPMENT MANUFACTURER AND ANY REFERENCE TO THE TRADEMARKS OR PART NUMBERS OF OTHERS ARE FOR CROSS REFERENCE INFORMATIONAL PURPOSES ONLY. THE TRADEMARKS OF OTHERS REFERRED TO HEREIN ARE OWNED BY THEIR RESPECTIVE COMPANIES AND ARE NOT AFFILIATED IN ANY WAY WITH MIDWEST TRUCK & AUTO PARTS, INC.® MOTIVE GEAR® AND WORLD AMERICAN® ARE THE REGISTERED TRADEMARKS OF MIDWEST TRUCK & AUTO PARTS, INC.® USE OF THE ® IN CONNECTION WITH A MARK OF MIDWEST TRUCK & AUTO PARTS, INC.® INDICATES THAT THE MARK IS REGISTERED IN AT LEAST THE UNITED STATES. NO REPRESENTATION IS MADE WITH RESPECT TO THE SOURCE OF MANUFACTURE OF ANY PARTICULAR PART. © 2005, MIDWEST TRUCK & AUTO PARTS, INC.® ALL RIGHTS RESERVED.

FULLER®

10 SPEED (Cont'd)

FIG. PART#	DESCRIPTION	<i>RT "B" - 11710</i>	<i>RTX "B" - 11710</i>	<i>RTX "C" - 11710</i>	<i>RT "B" - 12710</i>	<i>RTX "B" - 12710</i>	<i>RTX "C" - 12710</i>	<i>RT "B" - 13710</i>	<i>RTX "B" - 13710</i>	<i>RTX "C" - 13710</i>	<i>RT "B" - 14710</i>	<i>RTX "B" - 14710</i>	<i>RTX "C" - 14710</i>
31 21326	KEY - (OLD)	X	X	X	X	X	X	X	X	X	X	X	X
31 4300890	KEY - (NEW)	X	X	X	X	X	X	X	X	X	X	X	X
32 X-7-1005	BOLT 5/8"	X	X	X	X	X	X	X	X	X	X	X	X
33 62511	PIN	X	X	X	X	X	X	X	X	X	X	X	X
34 19668	LOCKING DISK	X			X								
34 19548	LOCKING DISK		X	X		X	X	X	X	X	X	X	X
35 1309L	BEARING	X			X								
35 MS1309GEXR	BEARING		X	X		X	X	X	X	X	X	X	X
36 19198	SNAP RING	X	X	X	X	X	X	X	X	X	X	X	X
37 22271	GEAR C/S	X											
37 21020	GEAR C/S 62T		X			X			X			X	
37 21018	GEAR C/S 66T			X			X			X			X
37 21586	GEAR C/S 69T				X			X			X		
38 15953	GEAR C/S PRO 47T LH PTO (LEFT)	X	X	X	X	X	X	X	X	X	X	X	X
38 20840	GEAR C/S PTO 45T RH PTO (RIGHT)	X	X	X	X	X	X	X	X	X	X	X	X
39 21020	GEAR C/S 62T	X			X			X			X		
39 20459	GEAR C/S 69T		X			X			X			X	
39 21262	GEAR C/S 73T			X			X			X			
39 4300191	GEAR C/S 73T												X
40 20482	GEAR C/S 2ND 44T	X	X		X	X		X	X		X	X	
40 21264	GEAR C/S 46T			X			X			X			X
41 20471	GEAR C/S 1ST 35T	X	X		X	X		X	X		X	X	
41 20382	GEAR C/S 39T			X			X			X			X
42 4300861	COUNTERSHAFT	X	X		X								
42 4301224	COUNTERSHAFT			X			X						
42 4300860	COUNTERSHAFT				X			X	X		X	X	
42 4301225	COUNTERSHAFT									X			X
43 19673	KEY	X	X	X	X	X	X	X	X	X	X	X	X
44 62511	PIN	X	X	X	X	X	X	X	X	X	X	X	X
45 X-6-E	KEY	X	X	X	X	X	X	X	X	X	X	X	X
46 MU1308TV	BEARING	X	X	X	X	X	X	X	X	X	X	X	X
47 14317	SNAP RING	X	X	X	X	X	X	X	X	X	X	X	X
48 X-1-1008	NUT	X	X	X	X	X	X	X	X	X	X	X	X

PARTS LISTED IN THIS CATALOG ARE NOT NECESSARILY MANUFACTURED BY THE ORIGINAL EQUIPMENT MANUFACTURER AND ANY REFERENCE TO THE TRADEMARKS OR PART NUMBERS OF OTHERS ARE FOR CROSS REFERENCE INFORMATIONAL PURPOSES ONLY. THE TRADEMARKS OF OTHERS REFERRED TO HEREIN ARE OWNED BY THEIR RESPECTIVE COMPANIES AND ARE NOT AFFILIATED IN ANY WAY WITH MIDWEST TRUCK & AUTO PARTS, INC.® MOTIVE GEAR® AND WORLD AMERICAN® ARE THE REGISTERED TRADEMARKS OF MIDWEST TRUCK & AUTO PARTS, INC.® USE OF THE ® IN CONNECTION WITH A MARK OF MIDWEST TRUCK & AUTO PARTS, INC.® INDICATES THAT THE MARK IS REGISTERED IN AT LEAST THE UNITED STATES. NO REPRESENTATION IS MADE WITH RESPECT TO THE SOURCE OF MANUFACTURE OF ANY PARTICULAR PART. © 2005, MIDWEST TRUCK & AUTO PARTS, INC.® ALL RIGHTS RESERVED.

FULLER®

10 SPEED (Cont'd)

FIG. PART#	DESCRIPTION	RT "B" - 11710	RTX "B" - 11710	RTX "C" - 11710	RT "B" - 12710	RTX "B" - 12710	RTX "C" - 12710	RT "B" - 13710	RTX "B" - 13710	RTX "C" - 13710	RT "B" - 14710	RTX "B" - 14710	RTX "C" - 14710
49 14283	WASHER	X	X	X	X	X	X	X	X	X	X	X	X
50 14282	WASHER - (OLD)	X	X	X	X	X	X	X	X	X	X	X	X
50 4302982	WASHER - (NEW)	X	X	X	X	X	X	X	X	X	X	X	X
51 FWA1830	BEARING	X	X	X	X	X	X	X	X	X	X	X	X
52 16757	REVERSE GEAR 27T	X	X		X	X		X	X		X	X	
52 4301229	REVERSE GEAR			X			X			X			X
53 16405	REVERSE GEAR PIN	X	X	X	X	X	X	X	X	X	X	X	X
54 5202	PLUG	X	X	X	X	X	X	X	X	X	X	X	X
55 16763	SNAP RING	X	X	X	X	X	X	X	X	X	X	X	X
56 21320	SNAP RING RETAINER	X	X	X	X	X	X	X	X	X	X	X	X
57 16628	SNAP RING	X	X	X	X	X	X	X	X	X	X	X	X
58 118L	BEARING	X	X	X	X	X	X	X	X	X	X	X	X
59 16138	RETAINER RING	X	X	X	X	X	X	X	X	X	X	X	X
60 21321	GEAR AUX. DRIVE 34T	X	X	X	X	X	X						
60 23159	GEAR AUX. DRIVE							X	X	X	X	X	X
61 14897	SPRING	X	X	X	X	X	X	X	X	X	X	X	X
62 A-4938	SYNCHRONIZER RING	X	X	X	X	X	X	X	X	X	X	X	X
63 20323	SLIDING CLUTCH	X	X	X	X	X	X	X	X	X	X	X	X
64 A-4937	SYNCHRONIZER RING	X	X	X	X	X	X	X	X	X	X	X	X
65 A-5474	SHIFT YOKE ASSY	X	X	X	X	X	X	X	X	X	X	X	X
66 14347	GASKET	X	X	X	X	X	X	X	X	X	X	X	X
67 16778	CYLINDER	X	X	X	X	X	X	X	X	X	X	X	X
68 14765	O-RING	X	X	X	X	X	X	X	X	X	X	X	X
69 14341	PISTON	X	X	X	X	X	X	X	X	X	X	X	X
70 14345	O-RING	X	X	X	X	X	X	X	X	X	X	X	X
71 14344	O-RING	X	X	X	X	X	X	X	X	X	X	X	X
72 14349	GASKET	X	X	X	X	X	X	X	X	X	X	X	X
73 19690	CYLINDER COVER	X	X	X	X	X	X	X	X	X	X	X	X
74 22896	OUTPUT SHAFT	X	X	X									
74 23022	OUTPUT SHAFT				X	X	X	X	X	X	X	X	X
74 4300312	OUTPUT SHAFT										X	X	X
75 22899	SPACER	X	X	X	X	X	X	X	X	X	X	X	X
76 23661	GEAR	X	X		X	X		X	X		X	X	
76 4301227	GEAR			X		X				X			X
77 22898	WASHER	X	X	X	X	X	X	X	X	X	X	X	X

PARTS LISTED IN THIS CATALOG ARE NOT NECESSARILY MANUFACTURED BY THE ORIGINAL EQUIPMENT MANUFACTURER AND ANY REFERENCE TO THE TRADEMARKS OR PART NUMBERS OF OTHERS ARE FOR CROSS REFERENCE INFORMATIONAL PURPOSES ONLY. THE TRADEMARKS OF OTHERS REFERRED TO HEREIN ARE OWNED BY THEIR RESPECTIVE COMPANIES AND ARE NOT AFFILIATED IN ANY WAY WITH MIDWEST TRUCK & AUTO PARTS, INC.® MOTIVE GEAR® AND WORLD AMERICAN® ARE THE REGISTERED TRADEMARKS OF MIDWEST TRUCK & AUTO PARTS, INC.® USE OF THE ® IN CONNECTION WITH A MARK OF MIDWEST TRUCK & AUTO PARTS, INC.® INDICATES THAT THE MARK IS REGISTERED IN AT LEAST THE UNITED STATES. NO REPRESENTATION IS MADE WITH RESPECT TO THE SOURCE OF MANUFACTURE OF ANY PARTICULAR PART. © 2005, MIDWEST TRUCK & AUTO PARTS, INC.® ALL RIGHTS RESERVED.

FULLER®
10 SPEED (Cont'd)

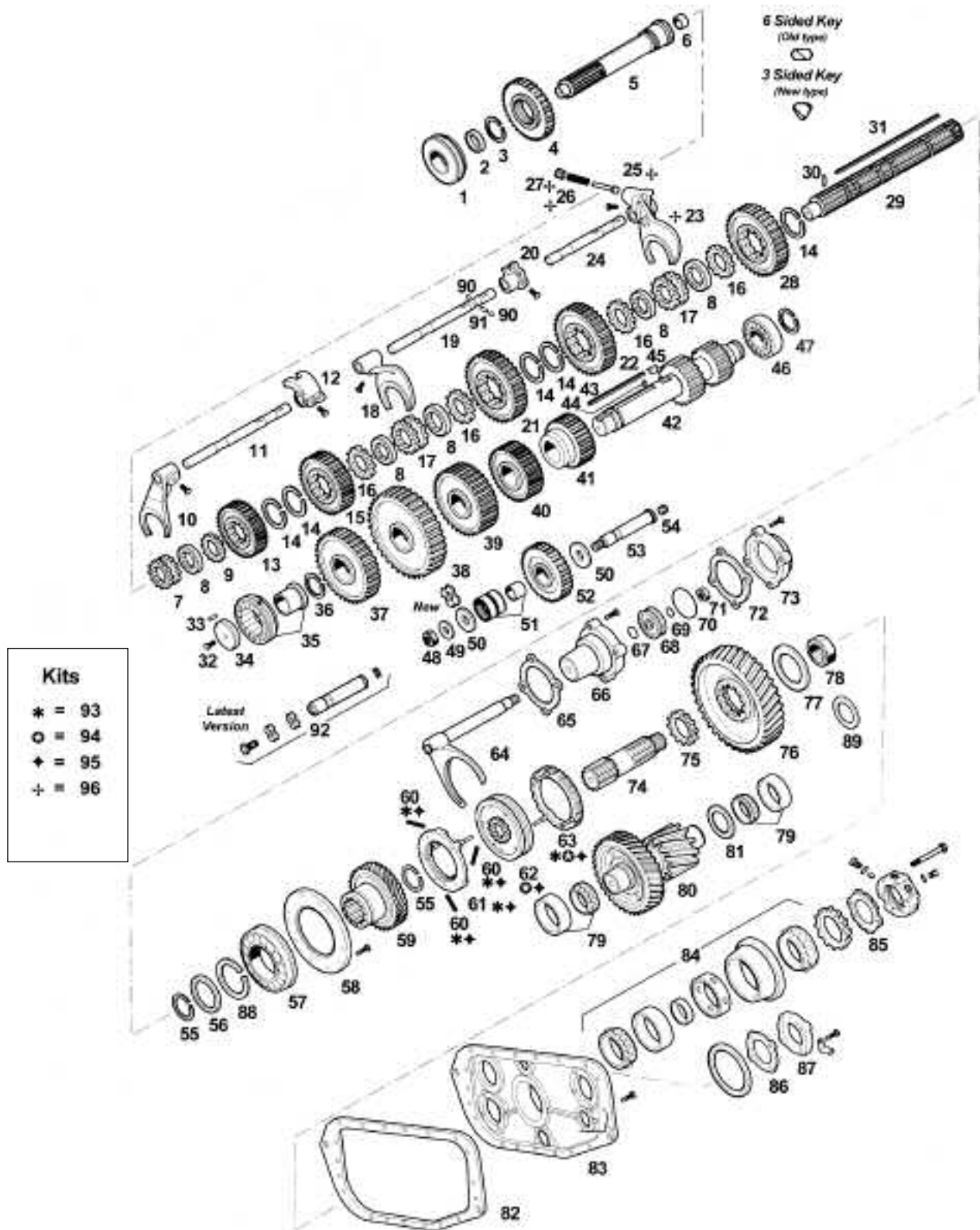
FIG. PART#	DESCRIPTION	RT "B" - 11710	RTX "B" - 11710	RTX "C" - 11710	RT "B" - 12710	RTX "B" - 12710	RTX "C" - 12710	RT "B" - 13710	RTX "B" - 13710	RTX "C" - 13710	RT "B" - 14710	RTX "B" - 14710	RTX "C" - 14710
78 22254	NUT	X	X	X	X	X	X	X	X	X	X	X	X
79 ST4276	BEARING	X	X	X	X	X	X	X	X	X	X	X	X
80 A-5923	COUNTERSHAFT ASSY	X	X		X	X							
80 A-6074	COUNTERSHAFT ASSY			X		X							
80 A-5626	COUNTERSHAFT ASSY							X	X		X	X	
80 A-6073	COUNTERSHAFT ASSY									X			X
81 22903	WASHER	X	X	X	X	X	X	X	X	X	X	X	X
82 14335	GASKET	X	X	X	X	X	X	X	X	X	X	X	X
83 22900	COVER	X	X	X	X	X	X	X	X	X	X	X	X
84 21355	BEARING	X	X	X	X	X	X	X	X	X			
84 21356	BEARING										X	X	X
85 21364	GASKET	X	X	X	X	X	X	X	X	X	X	X	X
86 21345	GASKET	X	X	X	X	X	X	X	X	X	X	X	X
87 21346	COVER	X	X	X	X	X	X	X	X	X	X	X	X
88 X-1-1010	NUT	X	X	X	X	X	X	X	X	X	X	X	X
89 X-14-1200	BALL	X	X	X	X	X	X	X	X	X	X	X	X
90 1634	PIN	X	X	X	X	X	X	X	X	X	X	X	X
91 K-3209	IDLER SHAFT REPL. KIT	X	X	X	X	X	X	X	X	X	X	X	X
92 K-1946	SYNCHRONIZER KIT	X	X	X	X	X	X	X	X	X	X	X	X
93 T20099	SYNCHRO CLUTCH ASSY	X	X	X	X	X	X	X	X	X	X	X	X
94 K-1947	SYNCHRO KIT W/ SLIDING CLUTCH (OLD)	X	X	X	X	X	X	X	X	X	X	X	X
94 K-1948	SYNCHRO KIT W/ SLIDING CLUTCH (NEW)	X	X	X	X	X	X	X	X	X	X	X	X
95 S-1219	YOKE ASSY	X	X	X	X	X	X	X	X	X	X	X	X

CALL YOUR SALES REP FOR BEARING & SEAL KITS

PARTS LISTED IN THIS CATALOG ARE NOT NECESSARILY MANUFACTURED BY THE ORIGINAL EQUIPMENT MANUFACTURER AND ANY REFERENCE TO THE TRADEMARKS OR PART NUMBERS OF OTHERS ARE FOR CROSS REFERENCE INFORMATIONAL PURPOSES ONLY. THE TRADEMARKS OF OTHERS REFERRED TO HEREIN ARE OWNED BY THEIR RESPECTIVE COMPANIES AND ARE NOT AFFILIATED IN ANY WAY WITH MIDWEST TRUCK & AUTO PARTS, INC.® MOTIVE GEAR® AND WORLD AMERICAN® ARE THE REGISTERED TRADEMARKS OF MIDWEST TRUCK & AUTO PARTS, INC.® USE OF THE ® IN CONNECTION WITH A MARK OF MIDWEST TRUCK & AUTO PARTS, INC.® INDICATES THAT THE MARK IS REGISTERED IN AT LEAST THE UNITED STATES. NO REPRESENTATION IS MADE WITH RESPECT TO THE SOURCE OF MANUFACTURE OF ANY PARTICULAR PART. © 2005, MIDWEST TRUCK & AUTO PARTS, INC.® ALL RIGHTS RESERVED.

FULLER® 10 SPEED

RTX "B"-15710, RTX "C"-15710, RTX "B"-16710, RTX "C"-16710



PARTS LISTED IN THIS CATALOG ARE NOT NECESSARILY MANUFACTURED BY THE ORIGINAL EQUIPMENT MANUFACTURER AND ANY REFERENCE TO THE TRADEMARKS OR PART NUMBERS OF OTHERS ARE FOR CROSS REFERENCE INFORMATIONAL PURPOSES ONLY. THE TRADEMARKS OF OTHERS REFERRED TO HEREIN ARE OWNED BY THEIR RESPECTIVE COMPANIES AND ARE NOT AFFILIATED IN ANY WAY WITH MIDWEST TRUCK & AUTO PARTS, INC.® MOTIVE GEAR® AND WORLD AMERICAN® ARE THE REGISTERED TRADEMARKS OF MIDWEST TRUCK & AUTO PARTS, INC.® USE OF THE ® IN CONNECTION WITH A MARK OF MIDWEST TRUCK & AUTO PARTS, INC.® INDICATES THAT THE MARK IS REGISTERED IN AT LEAST THE UNITED STATES. NO REPRESENTATION IS MADE WITH RESPECT TO THE SOURCE OF MANUFACTURE OF ANY PARTICULAR PART. © 2005, MIDWEST TRUCK & AUTO PARTS, INC.® ALL RIGHTS RESERVED.

FULLER® 10 SPEED

FIG.	PART#	DESCRIPTION	RTX "B" - 15710	RTX "C" - 15710	RTX "B" - 16710	RTX "C" - 16710
1	212SLV	BEARING	×	×	×	×
2	16463	SPACER	×	×	×	×
3	14750	SNAP RING	×	×	×	×
4	4302086	GEAR MAIN DRIVE	×		×	
4	4300238	GEAR MAIN DRIVE 52T		×		×
5	INPUT SHAFTS (SEE PGS. 323-326)					
6	16566	BUSHING	×	×	×	×
7	22026	SLIDING CLUTCH	×	×	×	×
8	14711	WASHER S.6, 299-6, 350 MM (WHITE-OLD)				
8	14712	WASHER S.6, 426-6, 477 MM (GREEN-OLD)	×	×	×	×
8	14713	WASHER S.6, 553-6, 604 MM (ORANGE-OLD)	×	×	×	×
8	14714	WASHER S.6, 680-6, 731 MM (PURPLE-OLD)	×	×	×	×
8	14715	WASHER S.6, 807-6, 858 MM (YELLOW-OLD)	×	×	×	×
8	14716	WASHER S.6, 934-6, 985 MM (BLACK-OLD)	×	×	×	×
8	4300830	WASHER (BLUE-NEW)	×	×	×	×
8	4300382	WASHER (WHITE-NEW)	×	×	×	×
8	4300383	WASHER (GREEN-NEW)	×	×	×	×
8	4300384	WASHER (ORANGE-NEW)	×	×	×	×
8	4300385	WASHER (PURPLE-NEW)	×	×	×	×
8	4300386	WASHER (YELLOW-NEW)	×	×	×	×
8	4300387	WASHER (BLACK-NEW)	×	×	×	×
9	22032	SPACER	×	×	×	×
10	20450	SHIFT YOKE	×	×	×	×
11	18928	YOKE BAR	×	×	×	×
12	19063	SHIFTING BLOCK	×	×	×	×
13	4302088	GEAR M/S	×		×	
13	4300190	GEAR M/S 42T	×		×	
14	14750	SNAP RING	×	×	×	×
15	20390	GEAR M/S 2ND 56T	×		×	
15	19622	GEAR M/S 2ND SPD 50T		×		
15	4300246	GEAR M/S				×
16	14749	SPACER	×	×	×	×
17	16118	SLIDING CLUTCH	×	×	×	×
18	18922	SHIFT YOKE	×	×	×	×
19	18927	YOKE BAR	×	×	×	×
20	14658	SHIFTING BLOCK	×	×	×	×
21	20389	GEAR M/S 1ST 60T	×		×	
21	20381	GEAR M/S 58T	×			
21	4302104	GEAR M/S				×
22	4300858	GEAR M/S	×		×	
22	4301220	GEAR M/S		×		×
23	16131	REVERSE YOKE	×	×	×	×
24	18926	YOKE BAR	×	×	×	×

PARTS LISTED IN THIS CATALOG ARE NOT NECESSARILY MANUFACTURED BY THE ORIGINAL EQUIPMENT MANUFACTURER AND ANY REFERENCE TO THE TRADEMARKS OR PART NUMBERS OF OTHERS ARE FOR CROSS REFERENCE INFORMATIONAL PURPOSES ONLY. THE TRADEMARKS OF OTHERS REFERRED TO HEREIN ARE OWNED BY THEIR RESPECTIVE COMPANIES AND ARE NOT AFFILIATED IN ANY WAY WITH MIDWEST TRUCK & AUTO PARTS, INC.® MOTIVE GEAR® AND WORLD AMERICAN® ARE THE REGISTERED TRADEMARKS OF MIDWEST TRUCK & AUTO PARTS, INC.® USE OF THE ® IN CONNECTION WITH A MARK OF MIDWEST TRUCK & AUTO PARTS, INC.® INDICATES THAT THE MARK IS REGISTERED IN AT LEAST THE UNITED STATES. NO REPRESENTATION IS MADE WITH RESPECT TO THE SOURCE OF MANUFACTURE OF ANY PARTICULAR PART. © 2005, MIDWEST TRUCK & AUTO PARTS, INC.® ALL RIGHTS RESERVED.

FULLER®

10 SPEED (Cont'd)

FIG.	PART#	DESCRIPTION	RTX "B" - 15710	RTX "C" - 15710	RTX "B" - 16710	RTX "C" - 16710
25	10019	PIN	X	X	X	X
26	6392	SPRING	X	X	X	X
27	8968	PLUG	X	X	X	X
28	23653	REVERSE GEAR	X		X	
28	4301222	REVERSE GEAR		X		X
29	S-2120	MAIN SHAFT ASSY 17T	X	X		
29	S-1884	MAIN SHAFT ASSY			X	X
30	62504	PIN 3X16	X	X	X	X
31	21326	KEY - (OLD)	X	X	X	X
31	4300890	KEY - (NEW)	X	X	X	X
32	X-7-1005	BOLT 5/8"	X	X	X	X
33	62511	PIN	X	X	X	X
34	19548	LOCKING DISK	X	X	X	X
35	MS1309GEXR	BEARING	X	X	X	X
36	19198	SNAP RING	X	X	X	X
37	4302087	GEAR C/S	X		X	
37	21018	GEAR C/S 66T	X		X	
38	15953	GEAR C/S PTO 47T LH PTO (LEFT)	X	X	X	X
38	20840	GEAR C/S PTO 45T RH PTO (RIGHT)	X	X	X	X
39	4302089	GEAR C/S	X		X	
39	4300191	GEAR C/S 73T	X		X	
40	20482	GEAR C/S 2ND 44T	X			
40	21264	GEAR C/S 46T	X			
40	20482	GEAR C/S 2ND 44T			X	
40	4300247	GEAR C/S				X
41	20471	GEAR C/S 1ST 35T	X		X	
41	20382	GEAR C/S 39T	X			
41	4302103	GEAR C/S				X
42	4300860	COUNTERSHAFT	X		X	
42	4301225	COUNTERSHAFT		X		X
43	19673	KEY	X	X	X	X
44	62511	PIN	X	X	X	X
45	X-6-3	KEY	X	X	X	X
46	MU1308TV	BEARING	X	X	X	X
47	14317	SNAP RING	X	X	X	X
48	X-1-1008	NUT	X	X	X	X
49	14283	WASHER	X	X	X	X
50	14282	WASHER - (OLD)	X	X	X	X
50	4302982	WASHER - (NEW)	X	X	X	X
51	FWA1830	BEARING	X	X	X	X
52	16757	REVERSE GEAR 27T	X		X	
52	4301229	REVERSE GEAR		X		X
53	16405	REVERSE GEAR PIN	X	X	X	X
54	5202	PLUG	X	X	X	X
55	16763	SNAP RING	X	X	X	X
56	21320	SNAP RING RETAINER	X	X	X	X
57	118L	BEARING	X	X	X	X
58	16138	RETAINER RING	X	X	X	X

PARTS LISTED IN THIS CATALOG ARE NOT NECESSARILY MANUFACTURED BY THE ORIGINAL EQUIPMENT MANUFACTURER AND ANY REFERENCE TO THE TRADEMARKS OR PART NUMBERS OF OTHERS ARE FOR CROSS REFERENCE INFORMATIONAL PURPOSES ONLY. THE TRADEMARKS OF OTHERS REFERRED TO HEREIN ARE OWNED BY THEIR RESPECTIVE COMPANIES AND ARE NOT AFFILIATED IN ANY WAY WITH MIDWEST TRUCK & AUTO PARTS, INC.® MOTIVE GEAR® AND WORLD AMERICAN® ARE THE REGISTERED TRADEMARKS OF MIDWEST TRUCK & AUTO PARTS, INC.® USE OF THE ® IN CONNECTION WITH A MARK OF MIDWEST TRUCK & AUTO PARTS, INC.® INDICATES THAT THE MARK IS REGISTERED IN AT LEAST THE UNITED STATES. NO REPRESENTATION IS MADE WITH RESPECT TO THE SOURCE OF MANUFACTURE OF ANY PARTICULAR PART. © 2005, MIDWEST TRUCK & AUTO PARTS, INC.® ALL RIGHTS RESERVED.

FULLER®

10 SPEED (Cont'd)

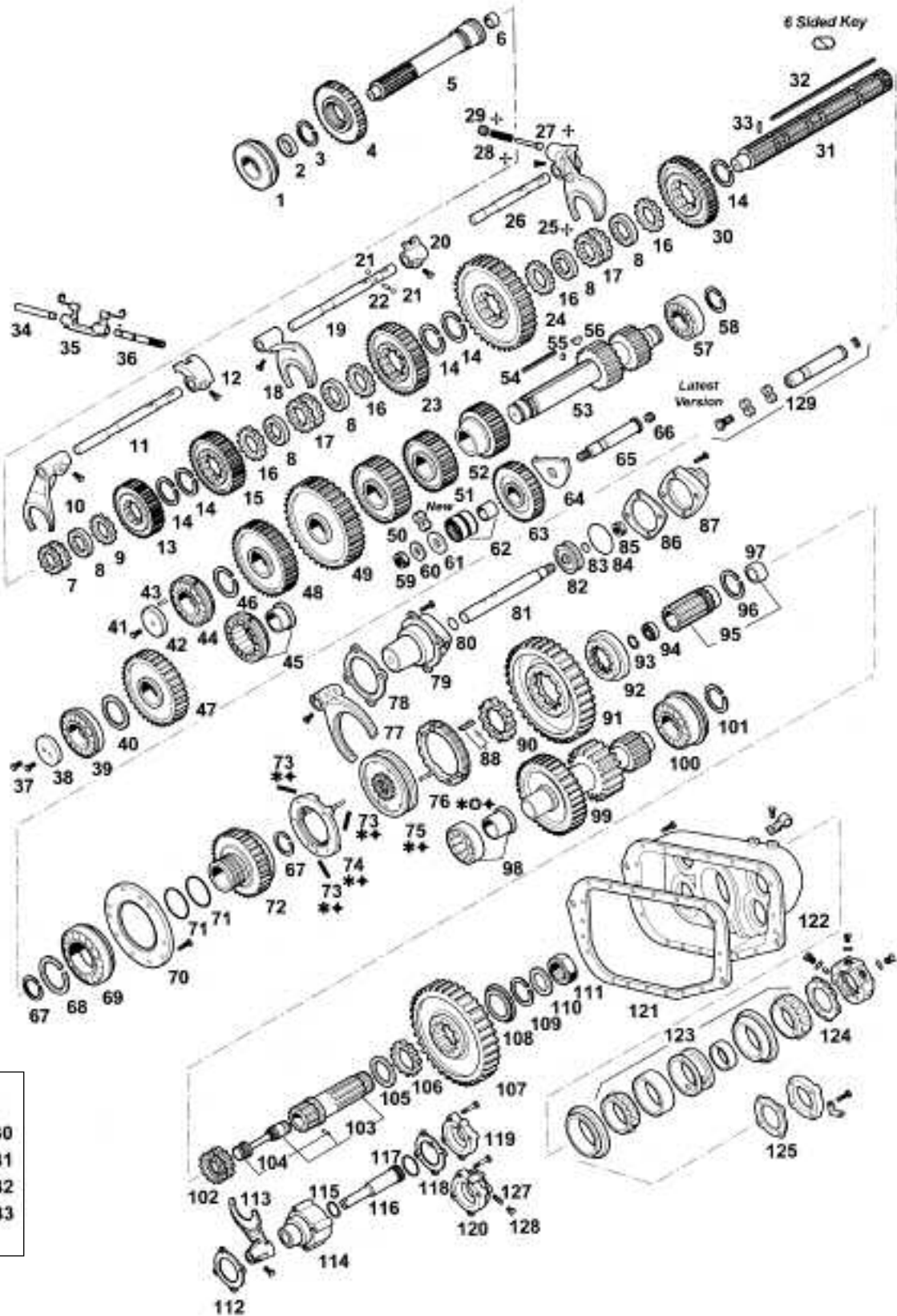
FIG.	PART#	DESCRIPTION	RTX "B" - 15710	RTX "C" - 15710	RTX "B" - 16710	RTX "C" - 16710
59	23159	GEAR AUX. DRIVE	×	×	×	×
60	14897	SPRING	×	×	×	×
61	A-4938	SYNCHRONIZER RING	×	×	×	×
62	20323	SLIDING CLUTCH	×	×	×	×
63	A-4937	SYNCHRONIZER RING	×	×	×	×
64	A-5474	SHIFT YOKE ASSY	×	×	×	×
65	14347	GASKET	×	×	×	×
66	16778	CYLINDER	×	×	×	×
67	14765	O-RING	×	×	×	×
68	14341	PISTON	×	×	×	×
69	14345	O-RING	×	×	×	×
70	14344	O-RING	×	×	×	×
71	X-1-1010	NUT	×	×	×	×
72	14349	GASKET	×	×	×	×
73	19690	CYLINDER COVER	×	×	×	×
74	4300312	OUTPUT SHAFT	×	×	×	×
75	22899	SPACER	×	×	×	×
76	23661	GEAR	×			
76	4301227	GEAR		×		
76	4302092	GEAR			×	
76	4302090	GEAR				×
77	22969	WASHER	×	×	×	×
78	22254	NUT	×	×	×	×
79	ST4276	BEARING	×	×	×	×
80	A-5626	COUNTERSHAFT ASSY	×			
80	A-6073	COUNTERSHAFT ASSY		×		
80	A-6338	COUNTERSHAFT ASSY			×	
80	A-6339	COUNTERSHAFT ASSY				×
81	22903	WASHER	×	×	×	×
82	14335	GASKET	×	×	×	×
83	22900	COVER	×	×	×	×
84	21356	BEARING	×	×	×	×
85	21364	GASKET	×	×	×	×
86	21345	GASKET	×	×	×	×
87	21346	COVER	×	×	×	×
88	16628	SNAP RING	×	×	×	×
89	22969	WASHER	×	×	×	×
90	X-14-1200	BALL	×	×	×	×
91	1634	PIN	×	×	×	×
92	K-3209	IDLER SHAFT REPL. KIT	×	×	×	×
93	K-1946	SYNCHRONIZER KIT	×	×	×	×
94	T20099	SYNCHRO CLUTCH ASSY	×	×	×	×
95	K-1947	SYNCHRO KIT W/SLIDING CLUTCH (OLD)	×	×	×	×
95	K-1948	SYNCHRO KIT W/SLIDING CLUTCH (NEW)	×	×	×	×
96	S-1219	YOKE ASSY	×	×	×	×

CALL YOUR SALES REP FOR BEARING & SEAL KITS

PARTS LISTED IN THIS CATALOG ARE NOT NECESSARILY MANUFACTURED BY THE ORIGINAL EQUIPMENT MANUFACTURER AND ANY REFERENCE TO THE TRADEMARKS OR PART NUMBERS OF OTHERS ARE FOR CROSS REFERENCE INFORMATIONAL PURPOSES ONLY. THE TRADEMARKS OF OTHERS REFERRED TO HEREIN ARE OWNED BY THEIR RESPECTIVE COMPANIES AND ARE NOT AFFILIATED IN ANY WAY WITH MIDWEST TRUCK & AUTO PARTS, INC.® MOTIVE GEAR® AND WORLD AMERICAN® ARE THE REGISTERED TRADEMARKS OF MIDWEST TRUCK & AUTO PARTS, INC.® USE OF THE ® IN CONNECTION WITH A MARK OF MIDWEST TRUCK & AUTO PARTS, INC.® INDICATES THAT THE MARK IS REGISTERED IN AT LEAST THE UNITED STATES. NO REPRESENTATION IS MADE WITH RESPECT TO THE SOURCE OF MANUFACTURE OF ANY PARTICULAR PART. © 2005, MIDWEST TRUCK & AUTO PARTS, INC.® ALL RIGHTS RESERVED.

FULLER® 10 SPEED

MODELS RTO-958LL, RTO-958LLB, RT-1258LL, RTO-11608LL, RTO-14608LL SERIES



Kits	
*	= 130
o	= 131
+	= 132
+	= 133

PARTS LISTED IN THIS CATALOG ARE NOT NECESSARILY MANUFACTURED BY THE ORIGINAL EQUIPMENT MANUFACTURER AND ANY REFERENCE TO THE TRADEMARKS OR PART NUMBERS OF OTHERS ARE FOR CROSS REFERENCE INFORMATIONAL PURPOSES ONLY. THE TRADEMARKS OF OTHERS REFERRED TO HEREIN ARE OWNED BY THEIR RESPECTIVE COMPANIES AND ARE NOT AFFILIATED IN ANY WAY WITH MIDWEST TRUCK & AUTO PARTS, INC.® MOTIVE GEAR® AND WORLD AMERICAN® ARE THE REGISTERED TRADEMARKS OF MIDWEST TRUCK & AUTO PARTS, INC.® USE OF THE ® IN CONNECTION WITH A MARK OF MIDWEST TRUCK & AUTO PARTS, INC.® INDICATES THAT THE MARK IS REGISTERED IN AT LEAST THE UNITED STATES. NO REPRESENTATION IS MADE WITH RESPECT TO THE SOURCE OF MANUFACTURE OF ANY PARTICULAR PART. © 2005, MIDWEST TRUCK & AUTO PARTS, INC.® ALL RIGHTS RESERVED.

FULLER® 10 SPEED

FIG.	PART#	DESCRIPTION	RTO-958LL SERIES	RTO-958LLB SERIES	RT-1258LL SERIES	RTO-11608LL SERIES	RTO-14608L SERIES
1	212SLV	BEARING	X	X	X	X	X
2	16396	SPACER	X	X			
2	16463	SPACER			X	X	X
3	14289	SNAP RING	X	X			
3	14750	SNAP RING			X	X	X
4	16886	GEAR MAIN DRIVE 34T	X				
4	16727	GEAR MAIN DRIVE 30T		X			
4	18518	GEAR MAIN DRIVE			X		
4	19565	GEAR MAIN DRIVE			X		
4	21021	GEAR MAIN DRIVE 58T				X	X
4	22028	GEAR MAIN DRIVE 58T				X	X
5	INPUT SHAFTS (SEE PGS. 323-326)						
6	16566	BUSHING	X	X	X	X	X
7	16021	SLIDING CLUTCH	X	X			
7	16118	SLIDING CLUTCH			X		
7	16118	SLIDING CLUTCH				X	X
7	22026	SLIDING CLUTCH				X	X
8	14274	WASHER S.6, 299-6, 350 MM (WHITE)	X	X			
8	14275	WASHER S.6, 426-6, 477 MM (GREEN)	X	X			
8	14276	WASHER S.6, 553-6, 605 MM (ORANGE)	X	X			
8	14277	WASHER S.6, 680-6, 731 MM (PURPLE)	X	X			
8	14278	WASHER S.6, 807-6, 858 MM (YELLOW)	X	X			
8	14279	WASHER S.6, 934-6, 985 MM (BLACK)	X	X			
8	14711	WASHER S.6, 299-6, 350 MM (WHITE)			X	X	X
8	14712	WASHER S.6, 426-6, 477 MM (GREEN)			X	X	X
8	14713	WASHER S.6, 553-6, 604 MM (ORANGE)			X	X	X
8	14714	WASHER S.6, 680-6, 731 MM (PURPLE)			X	X	X
8	14715	WASHER S.6, 807-6, 858 MM (YELLOW)			X	X	X
8	14716	WASHER S.6, 934-6, 985 MM (BLACK)			X	X	X
9	14273	SPACER	X	X			

PARTS LISTED IN THIS CATALOG ARE NOT NECESSARILY MANUFACTURED BY THE ORIGINAL EQUIPMENT MANUFACTURER AND ANY REFERENCE TO THE TRADEMARKS OR PART NUMBERS OF OTHERS ARE FOR CROSS REFERENCE INFORMATIONAL PURPOSES ONLY. THE TRADEMARKS OF OTHERS REFERRED TO HEREIN ARE OWNED BY THEIR RESPECTIVE COMPANIES AND ARE NOT AFFILIATED IN ANY WAY WITH MIDWEST TRUCK & AUTO PARTS, INC.® MOTIVE GEAR® AND WORLD AMERICAN® ARE THE REGISTERED TRADEMARKS OF MIDWEST TRUCK & AUTO PARTS, INC.® USE OF THE ® IN CONNECTION WITH A MARK OF MIDWEST TRUCK & AUTO PARTS, INC.® INDICATES THAT THE MARK IS REGISTERED IN AT LEAST THE UNITED STATES. NO REPRESENTATION IS MADE WITH RESPECT TO THE SOURCE OF MANUFACTURE OF ANY PARTICULAR PART. © 2005, MIDWEST TRUCK & AUTO PARTS, INC.® ALL RIGHTS RESERVED.

FULLER®

10 SPEED (Cont'd)

FIG.	PART#	DESCRIPTION	RTO-958LL SERIES	RTO-958LLB SERIES	RT-1258LL SERIES	RTO-11608LL SERIES	RTO-14608L SERIES
9	14749	SPACER			×		
9	14749	SPACER				×	×
9	22032	SPACER				×	×
10	16267	SHIFT YOKE	×	×			
10	16136	SHIFT YOKE			×	×	×
10	20450	SHIFT YOKE -"X" MODELS			×	×	×
11	14354	YOKE BAR	×	×			
11	16134	YOKE BAR			×	×	×
11	18928	YOKE BAR - "X" MODELS			×	×	×
12	14659	SHIFTING BLOCK	×	×	×	×	×
12	19063	SHIFTING BLOCK - "X" MODELS			×	×	×
13	16888	GEAR M/S 28T	×				
13	16729	GEAR M/S 26T	×				
13	18520	GEAR M/S O/D		×			
13	19567	GEAR M/S O/D 40T			×		
13	19632	GEAR M/S 48T			×	×	
13	22027	GEAR M/S 48T			×	×	
14	14289	SNAP RING	×	×			
14	14750	SNAP RING			×	×	×
15	16707	GEAR M/S 2ND SPD 38T	×				
15	16731	GEAR M/S 36T	×				
15	18522	GEAR M/S 2ND			×		
15	20390	GEAR M/S 2ND 56T				×	×
16	14273	SPACER	×	×			
16	14749	SPACER			×	×	×
17	16021	SLIDING CLUTCH	×	×			
17	16118	SLIDING CLUTCH			×	×	×
18	15404	SHIFT YOKE	×	×			
18	16135	SHIFT YOKE 2ND			×	×	×
18	18922	SHIFT YOKE -"X"MODELS			×	×	×
19	14353	YOKE BAR	×	×			
19	16133	YOKE BAR			×	×	×
19	18927	YOKE BAR - "X" MODELS			×	×	×
20	14658	SHIFTING BLOCK	×	×	×	×	×
21	X-14-1200	BALL	×	×	×	×	×
22	1634	PIN	×	×	×	×	×
23	16709	GEAR M/S 38T	×				
23	16733	GEAR M/S 42T	×				
23	16752	GEAR M/S 1ST SPD 38T			×		
23	20389	GEAR M/S 1ST 60T				×	×
24	16711	GEAR M/S LOW 44T	×	×			

PARTS LISTED IN THIS CATALOG ARE NOT NECESSARILY MANUFACTURED BY THE ORIGINAL EQUIPMENT MANUFACTURER AND ANY REFERENCE TO THE TRADEMARKS OR PART NUMBERS OF OTHERS ARE FOR CROSS REFERENCE INFORMATIONAL PURPOSES ONLY. THE TRADEMARKS OF OTHERS REFERRED TO HEREIN ARE OWNED BY THEIR RESPECTIVE COMPANIES AND ARE NOT AFFILIATED IN ANY WAY WITH MIDWEST TRUCK & AUTO PARTS, INC.® MOTIVE GEAR® AND WORLD AMERICAN® ARE THE REGISTERED TRADEMARKS OF MIDWEST TRUCK & AUTO PARTS, INC.® USE OF THE ® IN CONNECTION WITH A MARK OF MIDWEST TRUCK & AUTO PARTS, INC.® INDICATES THAT THE MARK IS REGISTERED IN AT LEAST THE UNITED STATES. NO REPRESENTATION IS MADE WITH RESPECT TO THE SOURCE OF MANUFACTURE OF ANY PARTICULAR PART. © 2005, MIDWEST TRUCK & AUTO PARTS, INC.® ALL RIGHTS RESERVED.

FULLER®

10 SPEED (Cont'd)

FIG.	PART#	DESCRIPTION	RTO-958LL SERIES	RTO-958LLB SERIES	RT-1258LL SERIES	RTO-11608LL SERIES	RTO-14608L SERIES
24	16754	GEAR M/S LOW 44T			X	X	X
25	15403	REVERSE YOKE	X	X			
25	15644	REVERSE YOKE "F" MODELS	X	X			
25	16131	REVERSE YOKE			X	X	X
26	14352	YOKE BAR	X	X			
26	16132	YOKE BAR			X	X	X
26	18926	YOKE BAR - "X" MODELS			X	X	X
27	10019	PIN	X	X	X	X	X
28	6392	SPRING	X	X	X	X	X
29	8968	PLUG	X	X	X	X	X
30	16713	REVERSE GEAR M/S 46T	X	X			
30	16756	REVERSE GEAR M/S 46T			X	X	X
31	S-1340	MAIN SHAFT ASSY 15T	X	X			
31	S-1341	MAIN SHAFT ASSY 17T			X	X	X
32	17109	KEY	X	X	X	X	X
33	62504	PIN 3X16	X	X	X	X	X
34	14494	PEDAL SHAFT	X	X	X	X	X
35	12817	YOKE-CLUTCH RELEASE	X	X	X	X	X
36	1984	PEDAL SHAFT	X	X	X	X	X
36	1983	PEDAL SHAFT	X	X	X	X	X
37	X-7-603	BOLT 3/8"	X	X			
37	X-7-802	BOLT 1/2"	X	X			
37	X-7-603	BOLT 3/8"			X		
37	X-7-802	BOLT 1/2"			X		
38	16112	LOCKING DISK 3/8"	X	X			
38	7484	LOCKING DISK 1/2"	X	X			
38	16112	LOCKING DISK 3/8"			X		
38	7484	LOCKING DISK 1/2"			X		
39	MSN1211REX	BEARING	X	X			
39	MSN1211REX	BEARING			X		
40	15949	SPACER			X		
41	X-7-1005	BOLT 5/8"			X	X	X
42	19548	LOCKING DISK 5/8"			X		X
42	19668	LOCKING DISK 5/8"				X	
42	19548	LOCKING DISK 5/8"				X	
43	62511	PIN			X	X	X
44	1309L	BEARING				X	
45	MS1309GEXR	BEARING				X	
45	MS1309GEXR	BEARING			X		X
46	19198	SNAP RING			X	X	X
47	16887	GEAR C/S 36T	X				
47	16728	GEAR C/S 38T	X				
47	18519	GEAR C/S			X		

PARTS LISTED IN THIS CATALOG ARE NOT NECESSARILY MANUFACTURED BY THE ORIGINAL EQUIPMENT MANUFACTURER AND ANY REFERENCE TO THE TRADEMARKS OR PART NUMBERS OF OTHERS ARE FOR CROSS REFERENCE INFORMATIONAL PURPOSES ONLY. THE TRADEMARKS OF OTHERS REFERRED TO HEREIN ARE OWNED BY THEIR RESPECTIVE COMPANIES AND ARE NOT AFFILIATED IN ANY WAY WITH MIDWEST TRUCK & AUTO PARTS, INC.® MOTIVE GEAR® AND WORLD AMERICAN® ARE THE REGISTERED TRADEMARKS OF MIDWEST TRUCK & AUTO PARTS, INC.® USE OF THE ® IN CONNECTION WITH A MARK OF MIDWEST TRUCK & AUTO PARTS, INC.® INDICATES THAT THE MARK IS REGISTERED IN AT LEAST THE UNITED STATES. NO REPRESENTATION IS MADE WITH RESPECT TO THE SOURCE OF MANUFACTURE OF ANY PARTICULAR PART. © 2005, MIDWEST TRUCK & AUTO PARTS, INC.® ALL RIGHTS RESERVED.

FULLER®

10 SPEED (Cont'd)

FIG.	PART#	DESCRIPTION	RTO-958LL SERIES	RTO-958LLB SERIES	RT-1258LL SERIES	RTO-11608LL SERIES	RTO-14608L SERIES
48	19553	GEAR C/S			X		
48	19566	GEAR C/S			X		
48	21020	GEAR C/S 62T			X	X	
49	14307	GEAR C/S LH (LEFT)	X	X			
49	14886	GEAR C/S RH 45T (RIGHT)	X	X			
49	15953	GEAR C/S PTO 47T LH PTO (LEFT)			X	X	X
49	20840	GEAR C/S PTO 45T RH PTO (RIGHT)			X	X	X
50	16889	GEAR C/S 40T	X				
50	16730	GEAR C/S 45T	X				
50	18521	GEAR C/S O/D 40T			X		
50	19568	GEAR C/S			X		
50	20459	GEAR C/S 69T			X	X	
51	16708	GEAR C/S 2ND SPD	X				
51	16732	GEAR C/S 33T	X				
51	18523	GEAR C/S 2ND			X		
51	20482	GEAR C/S 2ND 44T				X	X
52	16710	GEAR C/S 1ST 22T	X				
52	16734	GEAR C/S 27T	X				
52	16753	GEAR C/S 1ST 22T			X		
52	20471	GEAR C/S 1ST 35T				X	X
53	K-1597	COUNTERSHAFT KIT	X	X			
53	18796	COUNTERSHAFT			X		
53	K-1599	COUNTERSHAFT KIT			X		
53	19549	COUNTERSHAFT 17T			X	X	X
53	K-2953	COUNTERSHAFT KIT W/KEYS			X	X	X
54	16662	KEY	X	X			
54	19673	KEY			X	X	X
55	62511	PIN	X	X	X	X	X
56	X-6-D	KEY	X	X			
56	X-6-3	KEY			X	X	X
57	MU1308TV	BEARING	X	X	X	X	X
58	14317	SNAP RING	X	X	X	X	X
59	X-1-1008	NUT	X	X	X	X	X
60	14283	WASHER	X	X	X	X	X
61	14282	WASHER - (OLD)	X	X	X	X	X
61	4302982	WASHER - (NEW)	X	X	X	X	X
62	FWA1830	BEARING	X	X	X	X	X
53	16714	REVERSE GEAR 27T	X	X			
63	16757	REVERSE GEAR 27T			X	X	X
64	16403	WASHER	X	X	X	X	X
65	16405	REVERSE GEAR PIN	X	X	X	X	X

PARTS LISTED IN THIS CATALOG ARE NOT NECESSARILY MANUFACTURED BY THE ORIGINAL EQUIPMENT MANUFACTURER AND ANY REFERENCE TO THE TRADEMARKS OR PART NUMBERS OF OTHERS ARE FOR CROSS REFERENCE INFORMATIONAL PURPOSES ONLY. THE TRADEMARKS OF OTHERS REFERRED TO HEREIN ARE OWNED BY THEIR RESPECTIVE COMPANIES AND ARE NOT AFFILIATED IN ANY WAY WITH MIDWEST TRUCK & AUTO PARTS, INC.® MOTIVE GEAR® AND WORLD AMERICAN® ARE THE REGISTERED TRADEMARKS OF MIDWEST TRUCK & AUTO PARTS, INC.® USE OF THE ® IN CONNECTION WITH A MARK OF MIDWEST TRUCK & AUTO PARTS, INC.® INDICATES THAT THE MARK IS REGISTERED IN AT LEAST THE UNITED STATES. NO REPRESENTATION IS MADE WITH RESPECT TO THE SOURCE OF MANUFACTURE OF ANY PARTICULAR PART. © 2005, MIDWEST TRUCK & AUTO PARTS, INC.® ALL RIGHTS RESERVED.

FULLER®

10 SPEED (Cont'd)

FIG.	PART#	DESCRIPTION	RTO-958LL SERIES	RTO-958LLB SERIES	RT-1258LL SERIES	RTO-11608LL SERIES	RTO-14608L SERIES
66	5202	PLUG	X	X	X	X	X
67	16723	SNAP RING	X	X			
67	16763	SNAP RING			X	X	X
68	16722	SNAP RING	X	X			
68	16628	SNAP RING			X	X	X
69	117L	BEARING	X	X			
69	118L	BEARING			X	X	X
70	15408	RETAINER RING	X	X			
70	16138	RETAINER RING			X	X	X
71	17453	RETAINER RING			X	X	X
72	17078	GEAR AUX. DRIVE 28T	X	X			
72	18725	GEAR AUX. DRIVE 32T	X	X			
72	K-1848	AUX. DRIVE GEAR KIT 30T			X		
72	K-1786	AUX. DRIVE GEAR KIT 42T				X	X
73	14897	SPRING	X	X	X	X	X
74	A-4938	SYNCHRONIZER RING	X	X	X	X	X
75	16716	SLIDING CLUTCH - (OLD)	X	X			
75	20336	SLIDING CLUTCH - (NEW)	X	X			
75	16759	SLIDING CLUTCH - (OLD)			X	X	X
75	20323	SLIDING CLUTCH - (NEW)			X	X	X
76	A-4416	SYNCHRONIZER RING - (OLD)	X	X	X	X	X
76	A-4937	SYNCHRONIZER RING - (NEW)	X	X	X	X	X
77	16775	SHIFT YOKE	X	X	X	X	X
77	22823	SHIFT YOKE (LATEST)	X	X	X	X	X
78	14347	GASKET	X	X	X	X	X
79	16777	AUXILIARY CYLINDER	X	X	X	X	X
80	14765	O-RING	X	X	X	X	X
81	16776	YOKE BAR	X	X		X	
81	17251	YOKE BAR			X		
81	19306	YOKE BAR					X
82	14341	PISTON	X	X	X	X	X
83	14345	O-RING	X	X	X	X	X
84	14344	O-RING	X	X	X	X	X
85	X-1-1010	NUT	X	X	X	X	X
86	14349	GASKET	X	X	X	X	X
87	14799	CYLINDER COVER	X	X	X		
87	19690	CYLINDER COVER				X	X
88	A-3697	KEY & PIN ASSY	X	X	X	X	X
90	15385	WASHER S.5, 13-5, 18 MM	X	X			
90	17255	WASHER S.5, 23-5, 28 MM	X	X			
90	17256	WASHER S.5, 33-5, 38 MM	X	X			
90	15932	WASHER S.5, 13-5, 18 MM			X	X	X

PARTS LISTED IN THIS CATALOG ARE NOT NECESSARILY MANUFACTURED BY THE ORIGINAL EQUIPMENT MANUFACTURER AND ANY REFERENCE TO THE TRADEMARKS OR PART NUMBERS OF OTHERS ARE FOR CROSS REFERENCE INFORMATIONAL PURPOSES ONLY. THE TRADEMARKS OF OTHERS REFERRED TO HEREIN ARE OWNED BY THEIR RESPECTIVE COMPANIES AND ARE NOT AFFILIATED IN ANY WAY WITH MIDWEST TRUCK & AUTO PARTS, INC.® MOTIVE GEAR® AND WORLD AMERICAN® ARE THE REGISTERED TRADEMARKS OF MIDWEST TRUCK & AUTO PARTS, INC.® USE OF THE ® IN CONNECTION WITH A MARK OF MIDWEST TRUCK & AUTO PARTS, INC.® INDICATES THAT THE MARK IS REGISTERED IN AT LEAST THE UNITED STATES. NO REPRESENTATION IS MADE WITH RESPECT TO THE SOURCE OF MANUFACTURE OF ANY PARTICULAR PART. © 2005, MIDWEST TRUCK & AUTO PARTS, INC.® ALL RIGHTS RESERVED.

FULLER®

10 SPEED (Cont'd)

FIG.	PART#	DESCRIPTION	RTO-958LL SERIES	RTO-958LLB SERIES	RT-1258LL SERIES	RTO-11608LL SERIES	RTO-14608L SERIES
90	17257	WASHER S.5, 23-5, 28 MM			X	X	X
90	17258	WASHER S.5, 33-5, 38 MM			X	X	X
91	16519	GEAR 42T	X	X			
91	17217	GEAR 42T			X		
91	19315	GEAR 42T				X	
91	19277	GEAR 42T					X
92	18192	COUPLER M/S	X	X			
92	18193	COUPLER M/S		X	X	X	
93	14291	SNAP RING	X	X	X	X	X
94	204	BEARING	X	X	X	X	X
95	K-1545	MAIN SHAFT KIT	X	X			
95	K-1546	MAIN SHAFT KIT			X	X	X
96	14624	LOCK RING	X	X			
96	18135	SNAP RING			X	X	X
97	16516	BUSHING	X	X	X	X	X
98	MR1307EL	BEARING D.80X35X21	X	X	X	X	X
99	A-4127	COUNTERSHAFT ASSY	X	X			
99	A-4520	COUNTERSHAFT ASSY	X	X			
99	A-4467	COUNTERSHAFT ASSY			X		
99	A-4817	COUNTERSHAFT ASSY				X	
99	A-4818	COUNTERSHAFT ASSY					X
100	1310L	BEARING	X	X		X	
100	5310WL	BEARING			X		
100	5310WLB	BEARING					X
101	16723	SNAP RING	X	X	X	X	
101	15253	SNAP RING					X
102	16258	SLIDING CLUTCH	X	X			
102	17242	SLIDING CLUTCH			X		X
102	15959	SLIDING CLUTCH				X	
103	A-4413	OUTPUT SHAFT 13T	X	X			
103	A-4389	OUTPUT SHAFT 18T			X		
103	A-4738	OUTPUT SHAFT 18T				X	
103	A-4736	OUTPUT SHAFT 18T					X
104	K-1644	REPL. QUILL KIT	X	X	X	X	X
105	14332	WASHER	X	X		X	
106	18250	SPACER	X	X		X	
106	17248	WASHER			X		X
107	20022	GEAR 46T	X	X			
107	17247	GEAR 48T			X		
107	20022	GEAR 46T				X	
107	20024	GEAR 48T					X
108	19544	WASHER		X		X	
109	14327	SNAP RING	X	X		X	
109	18114	SNAP RING			X		X

PARTS LISTED IN THIS CATALOG ARE NOT NECESSARILY MANUFACTURED BY THE ORIGINAL EQUIPMENT MANUFACTURER AND ANY REFERENCE TO THE TRADEMARKS OR PART NUMBERS OF OTHERS ARE FOR CROSS REFERENCE INFORMATIONAL PURPOSES ONLY. THE TRADEMARKS OF OTHERS REFERRED TO HEREIN ARE OWNED BY THEIR RESPECTIVE COMPANIES AND ARE NOT AFFILIATED IN ANY WAY WITH MIDWEST TRUCK & AUTO PARTS, INC.® MOTIVE GEAR® AND WORLD AMERICAN® ARE THE REGISTERED TRADEMARKS OF MIDWEST TRUCK & AUTO PARTS, INC.® USE OF THE ® IN CONNECTION WITH A MARK OF MIDWEST TRUCK & AUTO PARTS, INC.® INDICATES THAT THE MARK IS REGISTERED IN AT LEAST THE UNITED STATES. NO REPRESENTATION IS MADE WITH RESPECT TO THE SOURCE OF MANUFACTURE OF ANY PARTICULAR PART. © 2005, MIDWEST TRUCK & AUTO PARTS, INC.® ALL RIGHTS RESERVED.

FULLER®

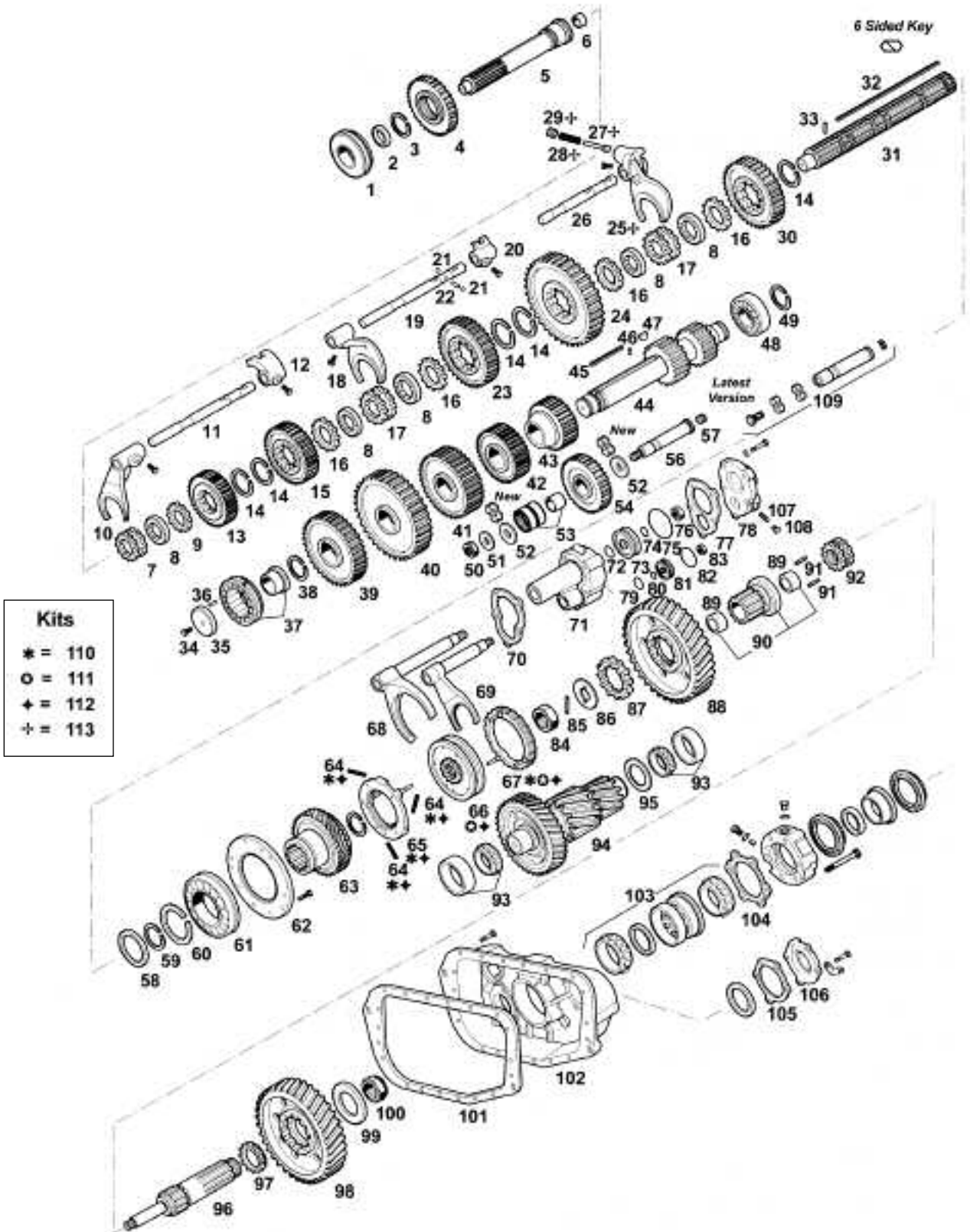
10 SPEED (Cont'd)

FIG.	PART#	DESCRIPTION	RTO-958LL SERIES	RTO-958LLB SERIES	RT-1258LL SERIES	RTO-11608LL SERIES	RTO-14608L SERIES
110	16310	WASHER S.7, 93 MM	X	X		X	
110	16337	WASHER S.4, 76 MM			X		X
111	22254	NUT	X	X	X	X	X
112	14632	GASKET	X	X	X	X	X
113	16517	SHIFT YOKE	X	X		X	
113	17245	SHIFT YOKE			X		X
114	17070	AUXILIARY CYLINDER	X	X	X	X	X
114	21210	AUXILIARY CYLINDER				X	X
115	14644	O-RING	X	X	X	X	X
115	21208	O-RING				X	X
116	16962	YOKE BAR	X	X		X	
116	17244	YOKE BAR			X		
116	19287	YOKE BAR					X
116	21233	YOKE BAR				X	
116	21251	YOKE BAR					X
117	14621	O-RING	X	X	X	X	X
117	21209	O-RING				X	X
118	17073	GASKET	X	X	X	X	X
119	17072	CYLINDER COVER	X	X	X	X	X
120	4300927	CYLINDER COVER	X	X	X	X	X
121	14335	GASKET	X	X	X	X	X
122	K-1567	REAR HOUSING	X	X		X	
122	17250	REAR HOUSING			X		X
123	A3071	BEARING	X	X		X	
123	A2892	BEARING			X		X
124	15532	GASKET	X	X	X	X	X
125	17097	GASKET	X	X		X	
125	17386	GASKET			X		X
127	19974	INSERT VALVE	X	X	X	X	X
128	15719	PLUG	X	X	X	X	X
129	K-3209	IDLER SHAFT REPL. KIT	X	X	X	X	X
130	K-1945	SYNCHRONIZER KIT - (OLD)	X	X	X	X	X
130	K-1946	SYNCHRONIZER KIT - (NEW)	X	X	X	X	X
131	T20098	SYNCHRO CLUTCH ASSY - (NEW)	X	X			
131	T20099	SYNCHRO CLUTCH ASSY - (NEW)			X	X	X
132	K-1947	SYNCHRO KIT W/SLIDING CLUTCH	X	X			
132	K-1948	SYNCHRO KIT W/SLIDING CLUTCH			X	X	X

PARTS LISTED IN THIS CATALOG ARE NOT NECESSARILY MANUFACTURED BY THE ORIGINAL EQUIPMENT MANUFACTURER AND ANY REFERENCE TO THE TRADEMARKS OR PART NUMBERS OF OTHERS ARE FOR CROSS REFERENCE INFORMATIONAL PURPOSES ONLY. THE TRADEMARKS OF OTHERS REFERRED TO HEREIN ARE OWNED BY THEIR RESPECTIVE COMPANIES AND ARE NOT AFFILIATED IN ANY WAY WITH MIDWEST TRUCK & AUTO PARTS, INC.® MOTIVE GEAR® AND WORLD AMERICAN® ARE THE REGISTERED TRADEMARKS OF MIDWEST TRUCK & AUTO PARTS, INC.® USE OF THE ® IN CONNECTION WITH A MARK OF MIDWEST TRUCK & AUTO PARTS, INC.® INDICATES THAT THE MARK IS REGISTERED IN AT LEAST THE UNITED STATES. NO REPRESENTATION IS MADE WITH RESPECT TO THE SOURCE OF MANUFACTURE OF ANY PARTICULAR PART. © 2005, MIDWEST TRUCK & AUTO PARTS, INC.® ALL RIGHTS RESERVED.

FULLER® 10 SPEED

MODELS RTO-11708LL, RTO-14708LL



PARTS LISTED IN THIS CATALOG ARE NOT NECESSARILY MANUFACTURED BY THE ORIGINAL EQUIPMENT MANUFACTURER AND ANY REFERENCE TO THE TRADEMARKS OR PART NUMBERS OF OTHERS ARE FOR CROSS REFERENCE INFORMATIONAL PURPOSES ONLY. THE TRADEMARKS OF OTHERS REFERRED TO HEREIN ARE OWNED BY THEIR RESPECTIVE COMPANIES AND ARE NOT AFFILIATED IN ANY WAY WITH MIDWEST TRUCK & AUTO PARTS, INC.® MOTIVE GEAR® AND WORLD AMERICAN® ARE THE REGISTERED TRADEMARKS OF MIDWEST TRUCK & AUTO PARTS, INC.® USE OF THE ® IN CONNECTION WITH A MARK OF MIDWEST TRUCK & AUTO PARTS, INC.® INDICATES THAT THE MARK IS REGISTERED IN AT LEAST THE UNITED STATES. NO REPRESENTATION IS MADE WITH RESPECT TO THE SOURCE OF MANUFACTURE OF ANY PARTICULAR PART. © 2005, MIDWEST TRUCK & AUTO PARTS, INC.® ALL RIGHTS RESERVED.

FULLER® 10 SPEED

FIG.	PART#	DESCRIPTION	RTO-11708LL SERIES	RTO-14708 SERIES
1	212SLV	BEARING	X	X
2	16463	SPACER	X	X
3	14750	SNAP RING	X	X
4	22028	GEAR MAIN DRIVE 58T	X	X
5	INPUT SHAFTS (SEE PGS. 323-326)		X	X
6	16566	BUSHING	X	X
7	22026	SLIDING CLUTCH	X	X
8	14711	WASHER S.6, 299-6, 350 MM (WHITE)	X	X
8	14712	WASHER S.6, 426-6, 477 MM (GREEN)	X	X
8	14713	WASHER S.6, 553-6, 604 MM (ORANGE)	X	X
8	14714	WASHER S.6, 680-6, 731 MM (PURPLE)	X	X
8	14715	WASHER S.6, 807-6, 858 MM (YELLOW)	X	X
8	14716	WASHER S.6, 934-6, 985 MM (BLACK)	X	X
9	22032	SPACER	X	X
10	16136	SHIFT YOKE	X	X
10	20450	SHIFT YOKE - "X" MODELS	X	X
11	16134	YOKE BAR	X	X
11	18928	YOKE BAR - "X" MODELS	X	X
12	14659	SHIFTING BLOCK	X	X
12	19063	SHIFTING BLOCK - "X" MODELS	X	X
13	22027	GEAR M/S 48T	X	X
14	14750	SNAP RING	X	X
15	20390	GEAR M/S 2ND 56T	X	X
16	14749	SPACER	X	X
17	16118	SLIDING CLUTCH	X	X
18	16135	SHIFT YOKE 2ND	X	X
18	18922	SHIFT YOKE - "X" MODELS	X	X
19	16133	YOKE BAR	X	X
19	18927	YOKE BAR - "X" MODELS	X	X
20	14658	SHIFTING BLOCK	X	X
21	X-14-1200	BALL	X	X
22	1634	PIN	X	X
23	20389	GEAR M/S 1ST 60T	X	X
24	16754	GEAR M/S LOW 44T	X	X
25	16131	REVERSE YOKE	X	X
26	16132	YOKE BAR	X	X
26	18926	YOKE BAR - "X" MODELS	X	X
27	10019	PIN	X	X
28	6392	SPRING	X	X
29	8968	PLUG	X	X
30	16756	REVERSE GEAR M/S 46T	X	X
31	S-2120	MAIN SHAFT ASSY 17T	X	X
32	21326	KEY	X	X

PARTS LISTED IN THIS CATALOG ARE NOT NECESSARILY MANUFACTURED BY THE ORIGINAL EQUIPMENT MANUFACTURER AND ANY REFERENCE TO THE TRADEMARKS OR PART NUMBERS OF OTHERS ARE FOR CROSS REFERENCE INFORMATIONAL PURPOSES ONLY. THE TRADEMARKS OF OTHERS REFERRED TO HEREIN ARE OWNED BY THEIR RESPECTIVE COMPANIES AND ARE NOT AFFILIATED IN ANY WAY WITH MIDWEST TRUCK & AUTO PARTS, INC.® MOTIVE GEAR® AND WORLD AMERICAN® ARE THE REGISTERED TRADEMARKS OF MIDWEST TRUCK & AUTO PARTS, INC.® USE OF THE ® IN CONNECTION WITH A MARK OF MIDWEST TRUCK & AUTO PARTS, INC.® INDICATES THAT THE MARK IS REGISTERED IN AT LEAST THE UNITED STATES. NO REPRESENTATION IS MADE WITH RESPECT TO THE SOURCE OF MANUFACTURE OF ANY PARTICULAR PART. © 2005, MIDWEST TRUCK & AUTO PARTS, INC.® ALL RIGHTS RESERVED.

FULLER®

10 SPEED (Cont'd)

FIG.	PART#	DESCRIPTION	RTO-11708LL SERIES	RTO-14708 SERIES
33	62504	PIN 3X16	X	X
34	X-7-1005	BOLT 5/8"	X	X
35	19548	LOCKING DISK	X	X
36	62511	PIN	X	X
37	MS1309GEXR	BEARING	X	X
38	19198	SNAP RING	X	X
39	21020	GEAR C/S 62T	X	X
40	15953	GEAR C/S PTO 47T - LH PTO (LEFT)	X	X
40	20840	GEAR C/S PTO 45T - RH PTO (RIGHT)	X	X
41	20459	GEAR C/S 69T	X	X
42	20482	C/S 2ND 44T	X	X
43	20471	GEAR C/S 1ST 35T	X	X
44	19549	COUNTERSHAFT 17T	X	X
44	K-2953	COUNTERSHAFT KIT W/KEYS	X	X
45	19673	KEY	X	X
46	62511	PIN	X	X
47	X-6-E	KEY	X	X
48	MU1308TV	BEARING	X	X
49	14317	SNAP RING	X	X
50	X-1-1008	NUT	X	X
51	14283	WASHER	X	X
52	14282	WASHER - (OLD)	X	X
52	4302982	WASHER - (NEW)	X	X
53	FWA1830	BEARING	X	X
54	16757	REVERSE GEAR 27T	X	X
56	16405	REVERSE GEAR PIN	X	X
57	5202	PLUG	X	X
58	21320	SNAP RING RETAINER	X	X
59	16763	SNAP RING	X	X
60	16628	SNAP RING	X	X
61	118L	BEARING	X	X
62	16138	RETAINER RING	X	X
63	21322	GEAR AUX. DRIVE 34T	X	X
64	14897	SPRING	X	X
65	A-4938	SYNCHRONIZER RING	X	X
66	20323	SLIDING CLUTCH	X	X
67	A-4937	SYNCHRONIZER RING	X	X
68	A-5159	SELECTOR FORK	X	X
69	A-5160	SELECTOR FORK	X	X
70	21332	GASKET	X	X
71	21330	CYLINDER	X	X
72	14765	O-RING	X	X

PARTS LISTED IN THIS CATALOG ARE NOT NECESSARILY MANUFACTURED BY THE ORIGINAL EQUIPMENT MANUFACTURER AND ANY REFERENCE TO THE TRADEMARKS OR PART NUMBERS OF OTHERS ARE FOR CROSS REFERENCE INFORMATIONAL PURPOSES ONLY. THE TRADEMARKS OF OTHERS REFERRED TO HEREIN ARE OWNED BY THEIR RESPECTIVE COMPANIES AND ARE NOT AFFILIATED IN ANY WAY WITH MIDWEST TRUCK & AUTO PARTS, INC.® MOTIVE GEAR® AND WORLD AMERICAN® ARE THE REGISTERED TRADEMARKS OF MIDWEST TRUCK & AUTO PARTS, INC.® USE OF THE ® IN CONNECTION WITH A MARK OF MIDWEST TRUCK & AUTO PARTS, INC.® INDICATES THAT THE MARK IS REGISTERED IN AT LEAST THE UNITED STATES. NO REPRESENTATION IS MADE WITH RESPECT TO THE SOURCE OF MANUFACTURE OF ANY PARTICULAR PART. © 2005, MIDWEST TRUCK & AUTO PARTS, INC.® ALL RIGHTS RESERVED.

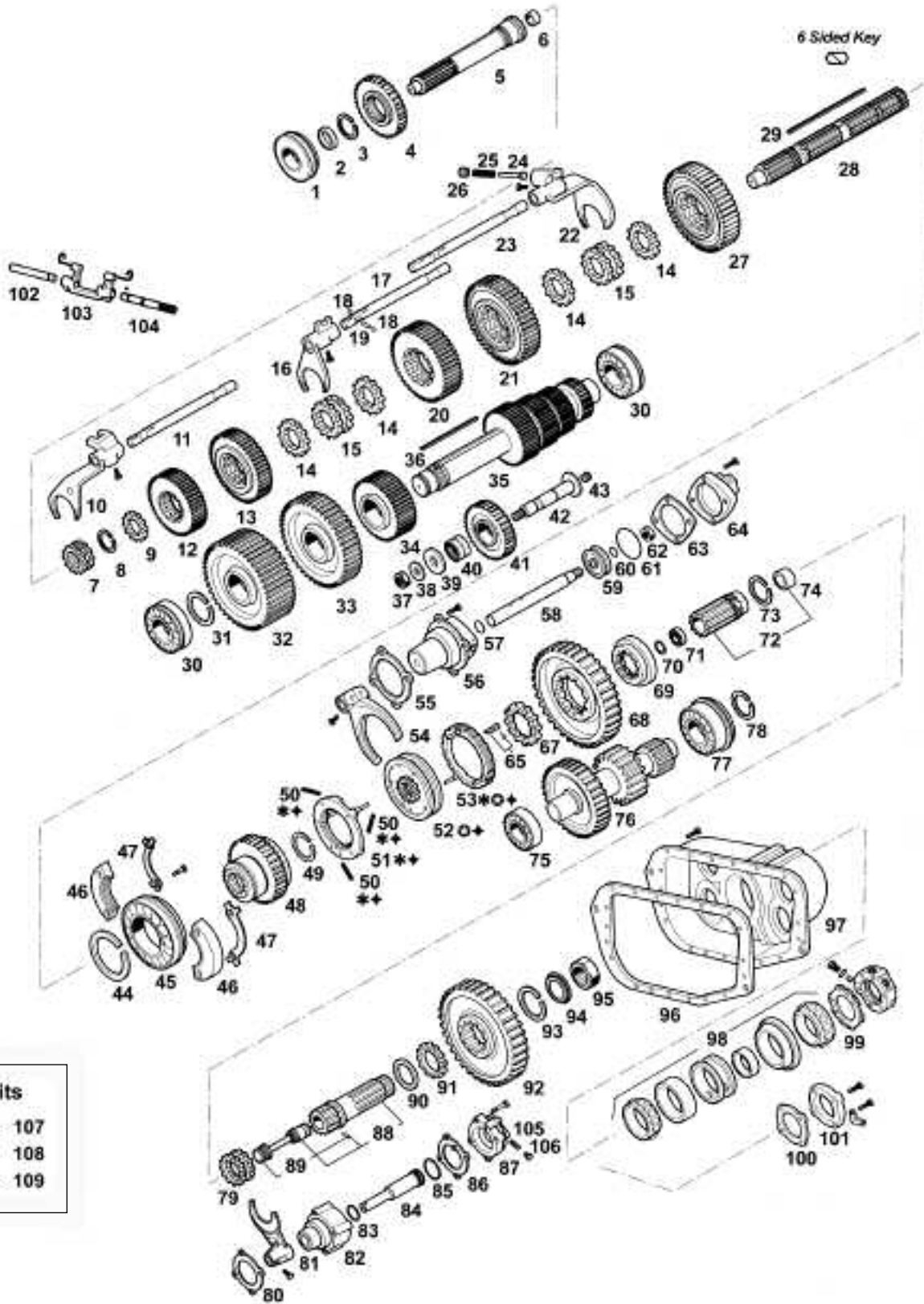
FULLER®

10 SPEED (Cont'd)

FIG.	PART#	DESCRIPTION	RTO-11708LL SERIES	RTO-14708 SERIES
73	14341	PISTON	X	X
74	14345	O-RING	X	X
75	14344	O-RING	X	X
76	X-1-1010	NUT	X	X
77	21331	GASKET	X	X
78	21329	CYLINDER COVER	X	X
79	14644	O-RING	X	X
80	21338	GASKET	X	X
81	21337	PISTON	X	X
82	20423	O-RING	X	X
83	X-1-803	NUT	X	X
84	21365	NUT	X	X
85	17332	PIN	X	X
86	21347	WASHER	X	X
87	21350	WASHER S.6, 60-6, 55 MM	X	X
88	21319	GEAR 48T	X	X
89	21352	BUSHING	X	X
90	A-5156	MAIN SHAFT ASSY 18T	X	X
91	21652	PIN	X	X
92	21360	SLIDING CLUTCH	X	X
93	ST4276	BEARING	X	X
94	A-5157	COUNTERSHAFT ASSY	X	X
95	21342	WASHER	X	X
96	21323	OUTPUT SHAFT	X	
96	21325	OUTPUT SHAFT 18T		X
97	21353	WASHER	X	
97	21354	WASHER		X
98	21361	GEAR 48T	X	X
99	21357	WASHER	X	
99	21358	WASHER		X
100	22254	NUT	X	X
101	14335	GASKET	X	X
102	21431	REAR HOUSING	X	X
103	21356	BEARING	X	X
104	21364	GASKET	X	X
105	21345	GASKET	X	X
106	21346	COVER	X	X
107	19974	INSERT VALVE	X	X
108	15719	PLUG	X	X
109	K-3209	IDLER SHAFT REPL. KIT	X	X
110	K-1946	SYNCHRONIZER KIT	X	X
111	T20099	SYNCHRO CLUTCH ASSY	X	X
112	K-1947	SYNCHRO KIT W/SLIDING CLUTCH (OLD)	X	X

PARTS LISTED IN THIS CATALOG ARE NOT NECESSARILY MANUFACTURED BY THE ORIGINAL EQUIPMENT MANUFACTURER AND ANY REFERENCE TO THE TRADEMARKS OR PART NUMBERS OF OTHERS ARE FOR CROSS REFERENCE INFORMATIONAL PURPOSES ONLY. THE TRADEMARKS OF OTHERS REFERRED TO HEREIN ARE OWNED BY THEIR RESPECTIVE COMPANIES AND ARE NOT AFFILIATED IN ANY WAY WITH MIDWEST TRUCK & AUTO PARTS, INC.® MOTIVE GEAR® AND WORLD AMERICAN® ARE THE REGISTERED TRADEMARKS OF MIDWEST TRUCK & AUTO PARTS, INC.® USE OF THE ® IN CONNECTION WITH A MARK OF MIDWEST TRUCK & AUTO PARTS, INC.® INDICATES THAT THE MARK IS REGISTERED IN AT LEAST THE UNITED STATES. NO REPRESENTATION IS MADE WITH RESPECT TO THE SOURCE OF MANUFACTURE OF ANY PARTICULAR PART. © 2005, MIDWEST TRUCK & AUTO PARTS, INC.® ALL RIGHTS RESERVED.

FULLER® 10 SPEED MODEL 7608LL SERIES



PARTS LISTED IN THIS CATALOG ARE NOT NECESSARILY MANUFACTURED BY THE ORIGINAL EQUIPMENT MANUFACTURER AND ANY REFERENCE TO THE TRADEMARKS OR PART NUMBERS OF OTHERS ARE FOR CROSS REFERENCE INFORMATIONAL PURPOSES ONLY. THE TRADEMARKS OF OTHERS REFERRED TO HEREIN ARE OWNED BY THEIR RESPECTIVE COMPANIES AND ARE NOT AFFILIATED IN ANY WAY WITH MIDWEST TRUCK & AUTO PARTS, INC.® MOTIVE GEAR® AND WORLD AMERICAN® ARE THE REGISTERED TRADEMARKS OF MIDWEST TRUCK & AUTO PARTS, INC.® USE OF THE ® IN CONNECTION WITH A MARK OF MIDWEST TRUCK & AUTO PARTS, INC.® INDICATES THAT THE MARK IS REGISTERED IN AT LEAST THE UNITED STATES. NO REPRESENTATION IS MADE WITH RESPECT TO THE SOURCE OF MANUFACTURE OF ANY PARTICULAR PART. © 2005, MIDWEST TRUCK & AUTO PARTS, INC.® ALL RIGHTS RESERVED.

FULLER® 10 SPEED

FIG.	PART#	DESCRIPTION	7608LL SERIES
1	81568	BEARING	×
2	20778	SPACER	×
3	15973	SNAP RING	×
4	20671	GEAR MAIN DRIVE	×
5	INPUT SHAFTS (SEE PGS. 323-326)		
6	15977	BUSHING	×
7	21662	SLIDING CLUTCH	×
8	15980	SNAP RING	×
9	21664	WASHER S.6, 58-6, 63 MM (ORANGE)	×
9	21665	WASHER S.6, 68-6, 73 MM (PURPLE)	×
9	21666	WASHER S.6, 81-6, 86 MM (YELLOW)	×
9	21667	WASHER S.6, 93-6, 98 MM (BLACK)	×
9	21668	WASHER S.7, 7.06-7,11 MM (RED)	×
10	20622	SHIFT YOKE 3RD	×
11	15101	YOKE BAR	×
12	21672	GEAR M/S	×
13	20833	GEAR M/S	×
14	20617	WASHER (ORANGE)	×
14	20618	WASHER (PURPLE)	×
14	20619	WASHER (YELLOW)	×
14	20620	WASHER (BLACK)	×
14	20621	WASHER (RED)	×
15	20615	SLIDING CLUTCH	×
16	20624	SHIFT YOKE	×
17	15100	YOKE BAR	×
18	X-14-1200	BALL	×
19	1634	PIN	×
20	20593	GEAR M/S	×

FIG.	PART#	DESCRIPTION	7608LL SERIES
21	20794	GEAR M/S	×
22	20626	SHIFT YOKE	×
23	15910	YOKE BAR	×
24	10019	PIN	×
25	6392	SPRING	×
26	8968	PLUG	×
27	20597	REVERSE GEAR	×
28	20614	MAIN SHAFT	×
29	A-4989	KEY & PIN ASSY	×
30	MU1307GUM	BEARING	×
31	14286	SNAP RING	×
32	20576	GEAR C/S	×
33	20583	GEAR C/S	×
34	20587	GEAR C/S	×
35	A-5030	COUNTERSHAFT ASSY	×
36	20604	KEY	×
37	X-1-1008	NUT	×
38	20613	WASHER	×
39	20612	WASHER	×
40	WJ162116	BEARING	×
41	20608	REVERSE GEAR	×
42	20610	REVERSE GEAR PIN	×
43	5202	PLUG	×
44	15994	SNAP RING	×
45	117L	BEARING	×
46	23064	RETAINER	×
47	23066	LOCK WASHER	×
48	22371	GEAR AUX. DRIVE	×
49	14993	SNAP RING	×
50	14897	SPRING	×
51	A-4938	SYNCHRONIZER RING	×
52	20323	SLIDING CLUTCH	
53	A-4937	SYNCHRONIZER RING	×

PARTS LISTED IN THIS CATALOG ARE NOT NECESSARILY MANUFACTURED BY THE ORIGINAL EQUIPMENT MANUFACTURER AND ANY REFERENCE TO THE TRADEMARKS OR PART NUMBERS OF OTHERS ARE FOR CROSS REFERENCE INFORMATIONAL PURPOSES ONLY. THE TRADEMARKS OF OTHERS REFERRED TO HEREIN ARE OWNED BY THEIR RESPECTIVE COMPANIES AND ARE NOT AFFILIATED IN ANY WAY WITH MIDWEST TRUCK & AUTO PARTS, INC.® MOTIVE GEAR® AND WORLD AMERICAN® ARE THE REGISTERED TRADEMARKS OF MIDWEST TRUCK & AUTO PARTS, INC.® USE OF THE ® IN CONNECTION WITH A MARK OF MIDWEST TRUCK & AUTO PARTS, INC.® INDICATES THAT THE MARK IS REGISTERED IN AT LEAST THE UNITED STATES. NO REPRESENTATION IS MADE WITH RESPECT TO THE SOURCE OF MANUFACTURE OF ANY PARTICULAR PART. © 2005, MIDWEST TRUCK & AUTO PARTS, INC.® ALL RIGHTS RESERVED.

FULLER®

10 SPEED (Cont'd)

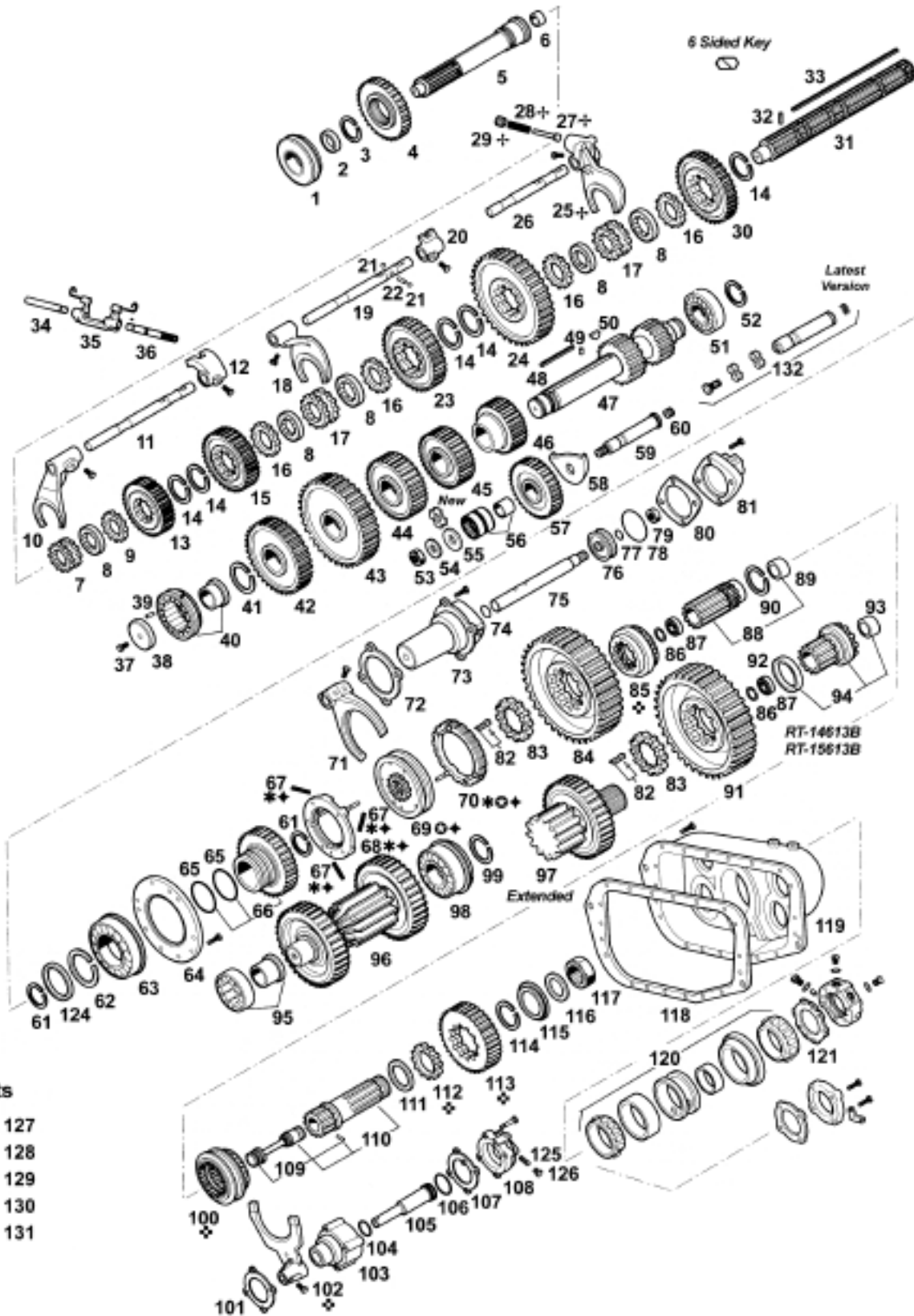
FIG.	PART#	DESCRIPTION	7608LL SERIES
54	16775	SHIFT YOKE	×
54	22823	SHIFT YOKE (LATEST)	×
55	14347	GASKET	×
56	16777	AUXILIARY CYLINDER	×
57	14765	O-RING	×
58	16776	YOKE BAR	×
59	14341	PISTON	×
60	14345	O-RING	×
61	14344	O-RING	×
62	X-1-1010	NUT	×
63	14349	GASKET	×
64	19690	CYLINDER COVER	×
65	A-3697	KEY & PIN ASSY	×
67	15932	WASHER S.5, 13-5, 18 MM (BLACK)	×
67	17257	WASHER S.5, 23-5, 28 MM (PURPLE)	×
67	17258	WASHER S.5, 33-5, 38 MM (YELLOW)	×
68	22370	GEAR M/S	×
69	18193	COUPLER M/S	×
70	14291	SNAP RING	×
71	204	BEARING	×
72	K-1546	MAIN SHAFT KIT	×
73	18135	SNAP RING	×
74	16516	BUSHING	×
75	23261	BEARING	×
76	A-5317	COUNTERSHAFT ASSY	×
77	1310L	BEARING	×
78	16723	SNAP RING	×
79	15959	SLIDING CLUTCH	×
80	14632	GASKET	×
81	16517	SHIFT YOKE	×

FIG.	PART#	DESCRIPTION	7608LL SERIES
82	21210	AUXILIARY CYLINDER	×
83	21208	O-RING	×
84	21233	YOKE BAR	×
85	21209	O-RING	×
86	17073	GASKET	×
87	4300927	CYLINDER COVER	×
88	A-4738	OUTPUT SHAFT 18T	×
89	K-1644	REPL. QUILL KIT	×
90	14332	WASHER	×
91	18250	SPACER	×
92	20022	GEAR 46T	×
93	14327	SNAP RING	×
94	16310	WASHER S.7, 93 MM	×
95	22254	NUT	×
96	14335	GASKET	×
97	S-1300	REAR HOUSING	×
98	A3071	BEARING	×
99	15532	GASKET	×
100	17097	GASKET	×
101	16724	COVER	×
102	14494	PEDAL SHAFT	×
103	12817	YOKE-CLUTCH RELEASE	×
104	1984	PEDAL SHAFT	×
104	1983	PEDAL SHAFT	×
105	19974	INSERT VALVE	×
106	15719	PLUG	×
107	K-1946	SYNCHRONIZER KIT	×
108	T20099	SYNCHRO CLUTCH ASSY	×
109	K-1947	SYNCHRO KIT W/ SLIDING CLUTCH (OLD)	×
109	K-1948	SYNCHRO KIT W/ SLIDING CLUTCH (NEW)	×

PARTS LISTED IN THIS CATALOG ARE NOT NECESSARILY MANUFACTURED BY THE ORIGINAL EQUIPMENT MANUFACTURER AND ANY REFERENCE TO THE TRADEMARKS OR PART NUMBERS OF OTHERS ARE FOR CROSS REFERENCE INFORMATIONAL PURPOSES ONLY. THE TRADEMARKS OF OTHERS REFERRED TO HEREIN ARE OWNED BY THEIR RESPECTIVE COMPANIES AND ARE NOT AFFILIATED IN ANY WAY WITH MIDWEST TRUCK & AUTO PARTS, INC.® MOTIVE GEAR® AND WORLD AMERICAN® ARE THE REGISTERED TRADEMARKS OF MIDWEST TRUCK & AUTO PARTS, INC.® USE OF THE ® IN CONNECTION WITH A MARK OF MIDWEST TRUCK & AUTO PARTS, INC.® INDICATES THAT THE MARK IS REGISTERED IN AT LEAST THE UNITED STATES. NO REPRESENTATION IS MADE WITH RESPECT TO THE SOURCE OF MANUFACTURE OF ANY PARTICULAR PART. © 2005, MIDWEST TRUCK & AUTO PARTS, INC.® ALL RIGHTS RESERVED.

FULLER® 13 SPEED

MODELS RT-11613, RTO-11613, RTOO-11613, RT-14613, RT-14613B, RTO-14613, RTOO-14613, RT-14813, RT-15613, RT-15613B, RTO-15613



Kits

- * = 127
- o = 128
- + = 129
- x = 130
- ◇ = 131

PARTS LISTED IN THIS CATALOG ARE NOT NECESSARILY MANUFACTURED BY THE ORIGINAL EQUIPMENT MANUFACTURER AND ANY REFERENCE TO THE TRADEMARKS OR PART NUMBERS OF OTHERS ARE FOR CROSS REFERENCE INFORMATIONAL PURPOSES ONLY. THE TRADEMARKS OF OTHERS REFERRED TO HEREIN ARE OWNED BY THEIR RESPECTIVE COMPANIES AND ARE NOT AFFILIATED IN ANY WAY WITH MIDWEST TRUCK & AUTO PARTS, INC.® MOTIVE GEAR® AND WORLD AMERICAN® ARE THE REGISTERED TRADEMARKS OF MIDWEST TRUCK & AUTO PARTS, INC.® USE OF THE ® IN CONNECTION WITH A MARK OF MIDWEST TRUCK & AUTO PARTS, INC.® INDICATES THAT THE MARK IS REGISTERED IN AT LEAST THE UNITED STATES. NO REPRESENTATION IS MADE WITH RESPECT TO THE SOURCE OF MANUFACTURE OF ANY PARTICULAR PART. © 2005, MIDWEST TRUCK & AUTO PARTS, INC.® ALL RIGHTS RESERVED.

FULLER® 13 SPEED

FIG. PART#	DESCRIPTION	RT-11613	RTO-11613	RTOO-11613	RT-14613	RT-14613B	RTO-14613	RTOO-14613	RT-14813	RT-15613	RT-15613	RT-15613B	RTO-15613
1	212SLV BEARING	X	X	X	X	X	X	X	X	X	X	X	X
2	16463 SPACER	X	X	X	X	X	X	X	X	X	X	X	X
3	14750 SNAPRING	X	X	X	X	X	X	X	X	X	X	X	X
4	20458 GEAR MAIN DRIVE 48T	X	X		X	X	X		X	X			X
4	21019 GEAR MAIN DRIVE 52T			X									
4	21019 GEAR MAIN DRIVE 52T						X						
4	22961 GEAR MAIN DRIVE 52T						X						
4	F96482 GEAR MAIN DRIVE											X	X
5	INPUT SHAFTS (SEE PGS. 327-328)												
6	16566 BUSHING	X	X	X	X	X	X	X	X	X			X
7	16118 SLIDING CLUTCH	X	X	X	X	X	X		X	X	X	X	X
7	16118 SLIDING CLUTCH							X					
7	22026 SLIDING CLUTCH							X					
8	14711 WASHER S.6, 299-6, 350 MM (WHITE)	X	X	X	X	X	X	X	X	X	X	X	X
8	14712 WASHER S.6, 426-6 477 MM (GREEN)	X	X	X	X	X	X	X	X	X	X	X	X
8	14713 WASHER S.6, 553-6, 604 MM (ORANGE)	X	X	X	X	X	X	X	X	X	X	X	X
8	14714 WASHER S.6, 680-6, 731 MM (PURPLE)	X	X	X	X	X	X	X	X	X	X	X	X
8	14715 WASHER S.6, 807-6, 858 MM (YELLOW)	X	X	X	X	X	X	X	X	X	X	X	X
8	14716 WASHER S.6, 934-6, 985 MM (BLACK)	X	X	X	X	X	X	X	X	X	X	X	X
9	14749 SPACER	X	X	X	X	X	X		X	X	X	X	X
9	14749 SPACER							X					
9	22032 SPACER							X					
10	16136 SHIFT YOKE	X	X	X	X	X	X	X	X	X	X	X	X
11	16134 YOKE BAR	X	X	X	X	X	X	X	X	X	X	X	X
12	14659 SHIFTING BLOCK	X	X	X	X	X	X	X	X	X	X	X	X
13	20391 GEAR M/S 3RD 58T	X	X		X	X	X		X	X			X
13	21261 GEAR M/S 42T			X									
13	21261 GEAR M/S 42T							X					
13	23102 GEAR M/S 42T							X					

PARTS LISTED IN THIS CATALOG ARE NOT NECESSARILY MANUFACTURED BY THE ORIGINAL EQUIPMENT MANUFACTURER AND ANY REFERENCE TO THE TRADEMARKS OR PART NUMBERS OF OTHERS ARE FOR CROSS REFERENCE INFORMATIONAL PURPOSES ONLY. THE TRADEMARKS OF OTHERS REFERRED TO HEREIN ARE OWNED BY THEIR RESPECTIVE COMPANIES AND ARE NOT AFFILIATED IN ANY WAY WITH MIDWEST TRUCK & AUTO PARTS, INC.® MOTIVE GEAR® AND WORLD AMERICAN® ARE THE REGISTERED TRADEMARKS OF MIDWEST TRUCK & AUTO PARTS, INC.® USE OF THE ® IN CONNECTION WITH A MARK OF MIDWEST TRUCK & AUTO PARTS, INC.® INDICATES THAT THE MARK IS REGISTERED IN AT LEAST THE UNITED STATES. NO REPRESENTATION IS MADE WITH RESPECT TO THE SOURCE OF MANUFACTURE OF ANY PARTICULAR PART. © 2005, MIDWEST TRUCK & AUTO PARTS, INC.® ALL RIGHTS RESERVED.

FULLER®

13 SPEED (Cont'd)

FIG. PART#	DESCRIPTION	RT-11613	RTO-11613	RTOO-11613	RT-14613	RT-14613B	RTO-14613	RTOO-14613	RT-14813	RT-15613	RT-15613	RT-15613B	RTO-15613
13 F96480	GEAR M/S										X	X	
14 14750	SNAP RING	X	X	X	X	X	X	X	X	X	X	X	X
15 20390	GEAR M/S 2ND 56T	X	X			X	X	X		X	X		X
15 19622	GEAR M/S 2ND SPD 50T			X				X					
15 F96478	GEAR M/S									X	X		
16 14749	SPACER	X	X	X	X	X	X	X	X	X	X	X	X
17 16118	SLIDING CLUTCH	X	X	X	X	X	X	X	X	X	X	X	X
18 16135	SHIFT YOKE 2ND	X	X	X	X	X	X	X	X	X	X	X	X
19 16133	YOKE BAR	X	X	X	X	X	X	X	X	X	X	X	X
20 14658	SHIFTING BLOCK	X	X	X	X	X	X	X	X	X	X	X	X
21 X-14-1200	BALL	X	X	X	X	X	X	X	X	X	X	X	X
22 1634	PIN	X	X	X	X	X	X	X	X	X	X	X	X
23 20389	GEAR M/S 1ST 60T	X	X		X	X	X		X	X			X
23 21024	GEAR M/S 1ST SPD 60T			X				X					
23 F96476	GEAR M/S											X	X
24 16754	GEAR M/S LOW 44T	X	X	X	X	X	X	X	X	X			X
24 F96309	GEAR M/S									X	X		
25 16131	REVERSE YOKE	X	X	X	X	X	X	X	X	X	X	X	X
26 16132	YOKE BAR	X	X	X	X	X	X	X	X	X	X	X	X
27 10019	PIN	X	X	X	X	X	X	X	X	X	X	X	X
28 6392	SPRING	X	X	X	X	X	X	X	X	X	X	X	X
29 8968	PLUG	X	X	X	X	X	X	X	X	X	X	X	X
30 16756	REVERSE GEAR M/S 46T	X	X	X	X	X	X	X	X				X
30 F96310	REVERSE GEAR									X	X		
31 S-1341	MAIN SHAFT ASSY 17T	X	X	X	X	X	X	X	X	X	X	X	X
32 62504	PIN 3X16	X	X	X	X	X	X	X	X	X	X	X	X
33 17109	KEY	X	X	X	X	X	X	X	X	X	X	X	X
34 14494	PEDAL SHAFT	X	X	X	X	X	X	X	X				
35 12817	YOKE-CLUTCH RELEASE	X	X	X	X	X	X	X	X				
36 1984	PEDAL SHAFT	X	X	X	X	X	X	X	X				
36 1983	PEDAL SHAFT	X	X	X	X	X	X	X	X				
37 X-7-1005	BOLT 5/8"	X	X	X	X	X	X	X	X	X	X	X	X
38 19668	LOCKING DISK	X											
38 19548	LOCKING DISK		X	X	X	X	X	X	X	X	X	X	X

PARTS LISTED IN THIS CATALOG ARE NOT NECESSARILY MANUFACTURED BY THE ORIGINAL EQUIPMENT MANUFACTURER AND ANY REFERENCE TO THE TRADEMARKS OR PART NUMBERS OF OTHERS ARE FOR CROSS REFERENCE INFORMATIONAL PURPOSES ONLY. THE TRADEMARKS OF OTHERS REFERRED TO HEREIN ARE OWNED BY THEIR RESPECTIVE COMPANIES AND ARE NOT AFFILIATED IN ANY WAY WITH MIDWEST TRUCK & AUTO PARTS, INC.® MOTIVE GEAR® AND WORLD AMERICAN® ARE THE REGISTERED TRADEMARKS OF MIDWEST TRUCK & AUTO PARTS, INC.® USE OF THE ® IN CONNECTION WITH A MARK OF MIDWEST TRUCK & AUTO PARTS, INC.® INDICATES THAT THE MARK IS REGISTERED IN AT LEAST THE UNITED STATES. NO REPRESENTATION IS MADE WITH RESPECT TO THE SOURCE OF MANUFACTURE OF ANY PARTICULAR PART. © 2005, MIDWEST TRUCK & AUTO PARTS, INC.® ALL RIGHTS RESERVED.

FULLER®

13 SPEED (Cont'd)

FIG. PART#	DESCRIPTION	<i>RT-11613</i>	<i>RTO-11613</i>	<i>RTOO-11613</i>	<i>RT-14613</i>	<i>RT-14613B</i>	<i>RTO-14613</i>	<i>RTOO-14613</i>	<i>RT-14813</i>	<i>RT-15613</i>	<i>RT-15613</i>	<i>RT-15613B</i>	<i>RTO-15613</i>
39 62511	PIN	X	X	X	X	X	X	X	X	X	X	X	X
40 1309L	BEARING	X											
40 MS1309GEXR	BEARING		X	X	X	X	X	X	X	X	X	X	X
41 19198	SNAP RING	X	X	X	X	X	X	X	X	X	X	X	X
42 20459	GEAR C/S 69T	X	X		X	X	X		X	X			X
42 21018	GEAR C/S 66T			X				X					
42 F96483	GEAR C/S										X	X	
43 15953	GEAR C/S PTO 47T LH PTO - (LEFT)	X	X	X	X	X	X	X	X	X	X	X	X
43 20840	GEAR C/S PTO 45T RH PTO - (RIGHT)	X	X	X	X	X	X	X	X	X	X	X	X
44 21020	GEAR C/S 62T	X	X		X	X	X		X	X			X
44 21262	GEAR C/S 73T			X				X					
44 F96481	GEAR C/S										X	X	
45 20482	GEAR C/S 2ND 44T	X	X		X	X	X		X	X			X
45 21264	GEAR C/S 46T			X				X					
45 F96479	GEAR C/S										X	X	
46 20471	GEAR C/S 1ST 35T	X	X		X	X	X		X	X			X
46 21025	GEAR C/S 1ST 39T			X				X					
46 F96477	GEAR C/S										X	X	
47 19549	COUNTERSHAFT 17T	X	X	X	X	X	X	X	X	X			X
47 K-2953	COUNTERSHAFT KIT W/KEYS	X	X	X	X	X	X	X	X	X			X
47 F96315	COUNTERSHAFT										X	X	
48 19673	KEY	X	X	X	X	X	X	X	X	X	X	X	X
49 62511	PIN	X	X	X	X	X	X	X	X	X	X	X	X
50 X-6-E	KEY	X	X	X	X	X	X	X	X	X	X	X	X
51 MU1308TV	BEARING	X	X	X	X	X	X	X	X	X	X	X	X
52 14317	SNAP RING	X	X	X	X	X	X	X	X	X	X	X	X
53 X-1-1008	NUT	X	X	X	X	X	X	X	X	X	X	X	X
54 14283	WASHER	X	X	X	X	X	X	X	X	X	X	X	X
55 14282	WASHER (OLD)	X	X	X	X	X	X	X	X	X	X	X	X
55 4302982	WASHER - (NEW)	X	X	X	X	X	X	X	X	X	X	X	X
56 FWA1830	BEARING	X	X	X	X	X	X	X	X	X	X	X	X

PARTS LISTED IN THIS CATALOG ARE NOT NECESSARILY MANUFACTURED BY THE ORIGINAL EQUIPMENT MANUFACTURER AND ANY REFERENCE TO THE TRADEMARKS OR PART NUMBERS OF OTHERS ARE FOR CROSS REFERENCE INFORMATIONAL PURPOSES ONLY. THE TRADEMARKS OF OTHERS REFERRED TO HEREIN ARE OWNED BY THEIR RESPECTIVE COMPANIES AND ARE NOT AFFILIATED IN ANY WAY WITH MIDWEST TRUCK & AUTO PARTS, INC.® MOTIVE GEAR® AND WORLD AMERICAN® ARE THE REGISTERED TRADEMARKS OF MIDWEST TRUCK & AUTO PARTS, INC.® USE OF THE ® IN CONNECTION WITH A MARK OF MIDWEST TRUCK & AUTO PARTS, INC.® INDICATES THAT THE MARK IS REGISTERED IN AT LEAST THE UNITED STATES. NO REPRESENTATION IS MADE WITH RESPECT TO THE SOURCE OF MANUFACTURE OF ANY PARTICULAR PART. © 2005, MIDWEST TRUCK & AUTO PARTS, INC.® ALL RIGHTS RESERVED.

FULLER®

13 SPEED (Cont'd)

FIG. PART#	DESCRIPTION	RT-11613	RTO-11613	RTOO-11613	RT-14613	RT-14613B	RTO-14613	RTOO-14613	RT-14813	RT-15613	RTO-15613	RT-15613B	RTO-15613
57 16757	REVERSE GEAR 27T	X	X	X	X	X	X	X	X	X			X
57 F96316	REVERSE GEAR										X	X	
58 16403	WASHER	X	X	X	X	X	X	X	X	X	X	X	X
59 16405	REVERSE GEAR PIN	X	X	X	X	X	X	X	X	X	X	X	X
60 5202	PLUG	X	X	X	X	X	X	X	X	X	X	X	X
61 16763	SNAP RING	X	X	X	X	X	X	X	X	X	X	X	X
62 16628	SNAP RING	X	X	X	X	X	X	X	X	X	X	X	X
63 118L	BEARING	X	X	X	X	X	X	X	X	X	X	X	X
64 16138	RETAINER RING	X	X	X	X	X	X	X	X	X	X	X	X
65 17453	RETAINER RING	X	X	X	X	X	X	X	X	X	X	X	X
66 K-1788	AUX. DRIVE GEAR KIT 40T	X	X		X		X			X			X
66 K-1789	AUX. DRIVE GEAR KIT 44T			X				X					
66 21234	GEAR AUX. DRIVE 40T					X							
66 T20303	AUX. DRIVE GEAR KIT 40T					X							
66 K-2316	AUX. DRIVE GEAR KIT 40T								X				
66 F96474	AUX. DRIVE GEAR KIT										X	X	
67 14897	SPRING	X	X	X	X	X	X	X	X	X	X	X	X
68 A-4938	SYNCHRONIZER RING	X	X	X	X	X	X	X	X	X	X	X	X
69 16759	SLIDING CLUTCH - (OLD)	X	X	X	X	X	X	X	X	X	X	X	X
69 20323	SLIDING CLUTCH - (NEW)	X	X	X	X	X	X	X	X	X	X	X	X
70 A-4416	SYNCHRONIZER RING - (OLD)	X	X	X	X	X	X	X	X	X	X	X	X
70 A-4937	SYNCHRONIZER RING - (NEW)	X	X	X	X	X	X	X	X	X	X	X	X
71 16775	SHIFT YOKE	X	X	X	X	X	X	X	X	X	X	X	X
71 22823	SHIFT YOKE (LATEST)	X	X	X	X	X	X	X	X	X	X	X	X
72 14347	GASKET	X	X	X	X	X	X	X	X	X	X	X	X
73 16777	AUXILIARY CYLINDER	X	X	X	X	X	X	X	X	X	X	X	X
74 14765	O-RING	X	X	X	X	X	X	X	X	X	X	X	X
75 16776	YOKE BAR	X	X	X	X	X	X	X	X	X	X	X	X
76 14341	PISTON	X	X	X	X	X	X	X	X	X	X	X	X
77 14345	O-RING	X	X	X	X	X	X	X	X	X	X	X	X

PARTS LISTED IN THIS CATALOG ARE NOT NECESSARILY MANUFACTURED BY THE ORIGINAL EQUIPMENT MANUFACTURER AND ANY REFERENCE TO THE TRADEMARKS OR PART NUMBERS OF OTHERS ARE FOR CROSS REFERENCE INFORMATIONAL PURPOSES ONLY. THE TRADEMARKS OF OTHERS REFERRED TO HEREIN ARE OWNED BY THEIR RESPECTIVE COMPANIES AND ARE NOT AFFILIATED IN ANY WAY WITH MIDWEST TRUCK & AUTO PARTS, INC.® MOTIVE GEAR® AND WORLD AMERICAN® ARE THE REGISTERED TRADEMARKS OF MIDWEST TRUCK & AUTO PARTS, INC.® USE OF THE ® IN CONNECTION WITH A MARK OF MIDWEST TRUCK & AUTO PARTS, INC.® INDICATES THAT THE MARK IS REGISTERED IN AT LEAST THE UNITED STATES. NO REPRESENTATION IS MADE WITH RESPECT TO THE SOURCE OF MANUFACTURE OF ANY PARTICULAR PART. © 2005, MIDWEST TRUCK & AUTO PARTS, INC.® ALL RIGHTS RESERVED.

FULLER®

13 SPEED (Cont'd)

FIG. PART#	DESCRIPTION	<i>RT-11613</i>	<i>RTO-11613</i>	<i>RTOO-11613</i>	<i>RT-14613</i>	<i>RT-14613B</i>	<i>RTO-14613</i>	<i>RTOO-14613</i>	<i>RT-14813</i>	<i>RT-15613</i>	<i>RT-15613</i>	<i>RT-15613B</i>	<i>RTO-15613</i>
78 14344	O-RING	X	X	X	X	X	X	X	X	X	X	X	X
79 X-1-1010	NUT	X	X	X	X	X	X	X	X	X	X	X	X
80 14349	GASKET	X	X	X	X	X	X	X	X	X	X	X	X
81 19690	CYLINDER COVER	X	X	X	X	X	X	X	X	X	X	X	X
82 A-3697	KEY & PIN ASSY	X	X	X	X	X	X	X	X	X	X	X	X
83 15932	WASHER S.5, 13-5, 18 MM (BLACK)	X	X	X	X	X	X	X	X	X	X	X	X
83 17257	WASHER S.5, 23-5, 28 MM (PURPLE)	X	X	X	X	X	X	X	X	X	X	X	X
83 17258	WASHER S.5, 33-5, 38 MM (YELLOW)	X	X	X	X	X	X	X	X	X	X	X	X
84 19221	GEAR M/S 56T	X	X										
84 19257	GEAR M/S 48T			X									
84 20388	GEAR M/S 56T				X		X		X	X			X
84 19214	GEAR M/S 48T							X					
85 19131	COUPLER M/S	X	X	X	X		X	X	X	X	X		X
86 14291	SNAP RING	X	X	X	X		X	X	X	X	X		X
87 204	BEARING	X	X	X	X		X	X	X	X	X		X
88 K-1546	MAIN SHAFT KIT	X	X	X	X		X	X	X	X	X		X
89 16516	BUSHING	X	X	X	X		X	X	X	X	X		X
90 18135	SNAP RING	X	X	X	X		X	X	X	X	X		X
91 F96414	GEAR M/S 56T					X							
91 F96472	GEAR M/S										X	X	
92 F96528	RING					X						X	
93 F96526	BUSHING					X						X	
94 T20213	MAIN SHAFT KIT					X						X	
95 MR1307EL	BEARING D.80X35X21	X	X	X	X	X	X	X	X	X	X	X	X
96 A-4956	AUX. COUNTERSHAFT ASSY	X			X					X			
96 A-4957	AUX. COUNTERSHAFT ASSY		X			X							X
96 A-4726	AUX. COUNTERSHAFT ASSY			X				X					
96 A-5466	AUX. COUNTERSHAFT ASSY								X				

PARTS LISTED IN THIS CATALOG ARE NOT NECESSARILY MANUFACTURED BY THE ORIGINAL EQUIPMENT MANUFACTURER AND ANY REFERENCE TO THE TRADEMARKS OR PART NUMBERS OF OTHERS ARE FOR CROSS REFERENCE INFORMATIONAL PURPOSES ONLY. THE TRADEMARKS OF OTHERS REFERRED TO HEREIN ARE OWNED BY THEIR RESPECTIVE COMPANIES AND ARE NOT AFFILIATED IN ANY WAY WITH MIDWEST TRUCK & AUTO PARTS, INC.® MOTIVE GEAR® AND WORLD AMERICAN® ARE THE REGISTERED TRADEMARKS OF MIDWEST TRUCK & AUTO PARTS, INC.® USE OF THE ® IN CONNECTION WITH A MARK OF MIDWEST TRUCK & AUTO PARTS, INC.® INDICATES THAT THE MARK IS REGISTERED IN AT LEAST THE UNITED STATES. NO REPRESENTATION IS MADE WITH RESPECT TO THE SOURCE OF MANUFACTURE OF ANY PARTICULAR PART. © 2005, MIDWEST TRUCK & AUTO PARTS, INC.® ALL RIGHTS RESERVED.

FULLER®

13 SPEED (Cont'd)

FIG. PART#	DESCRIPTION	RT-11613	RTO-11613	RTOO-11613	RT-14613	RT-14613B	RTO-14613	RTOO-14613	RT-14813	RT-15613	RT-15613	RT-15613B	RTO-15613
97 A-5105	AUX. COUNTERSHAFT ASSY	X			X								
97 A-5106	AUX. COUNTERSHAFT ASSY		X				X						
97 A-5107	AUX. COUNTERSHAFT ASSY			X				X					
97 U14622	AUX. COUNTERSHAFT ASSY					X							
97 U-15043	AUX. COUNTERSHAFT ASSY									X		X	
98 1310L	BEARING	X	X	X	X	X	X	X	X	X	X	X	X
99 16723	SNAP RING	X	X	X	X	X	X	X	X	X	X	X	X
100 19132	SLIDING CLUTCH	X	X	X	X	X	X	X	X	X	X	X	X
101 14632	GASKET	X	X	X	X	X	X	X	X	X	X	X	X
102 19128	SHIFT YOKE	X	X	X	X	X	X	X	X	X	X	X	X
103 17070	AUXILIARY CYLINDER	X	X	X	X	X	X	X	X	X	X	X	X
103 21210	AUXILIARY CYLINDER	X	X	X	X	X	X	X	X	X	X	X	X
104 14644	O-RING	X	X	X	X	X	X	X	X	X	X	X	X
104 21208	O-RING	X	X	X	X	X	X	X	X	X	X	X	X
105 16961	YOKE BAR	X	X	X	X	X	X	X	X	X	X	X	X
105 21211	YOKE BAR	X	X	X	X	X	X	X	X	X	X	X	X
106 14621	O-RING	X	X	X	X	X	X	X	X	X	X	X	X
106 21209	O-RING	X	X	X	X	X	X	X	X	X	X	X	X
107 17073	GASKET	X	X	X	X	X	X	X	X	X	X	X	X
108 4300927	CYLINDER COVER	X	X	X	X	X	X	X	X	X	X	X	X
109 K-1644	REPL. QUILL KIT	X	X	X	X	X	X	X	X	X	X	X	X
110 A-4738	OUTPUT SHAFT 18T - 10 SPL.	X	X	X									
110 A-4414	OUTPUT SHAFT 18T - 10 SPL.				X		X	X	X				
110 T20201	OUTPUT SHAFT ASSY 18/54T - 54 SPL.					X				X		X	
110 A-4975	OUTPUT SHAFT 18T - 10 SPL.								X				X
111 14332	WASHER	X	X	X									

PARTS LISTED IN THIS CATALOG ARE NOT NECESSARILY MANUFACTURED BY THE ORIGINAL EQUIPMENT MANUFACTURER AND ANY REFERENCE TO THE TRADEMARKS OR PART NUMBERS OF OTHERS ARE FOR CROSS REFERENCE INFORMATIONAL PURPOSES ONLY. THE TRADEMARKS OF OTHERS REFERRED TO HEREIN ARE OWNED BY THEIR RESPECTIVE COMPANIES AND ARE NOT AFFILIATED IN ANY WAY WITH MIDWEST TRUCK & AUTO PARTS, INC.® MOTIVE GEAR® AND WORLD AMERICAN® ARE THE REGISTERED TRADEMARKS OF MIDWEST TRUCK & AUTO PARTS, INC.® USE OF THE ® IN CONNECTION WITH A MARK OF MIDWEST TRUCK & AUTO PARTS, INC.® INDICATES THAT THE MARK IS REGISTERED IN AT LEAST THE UNITED STATES. NO REPRESENTATION IS MADE WITH RESPECT TO THE SOURCE OF MANUFACTURE OF ANY PARTICULAR PART. © 2005, MIDWEST TRUCK & AUTO PARTS, INC.® ALL RIGHTS RESERVED.

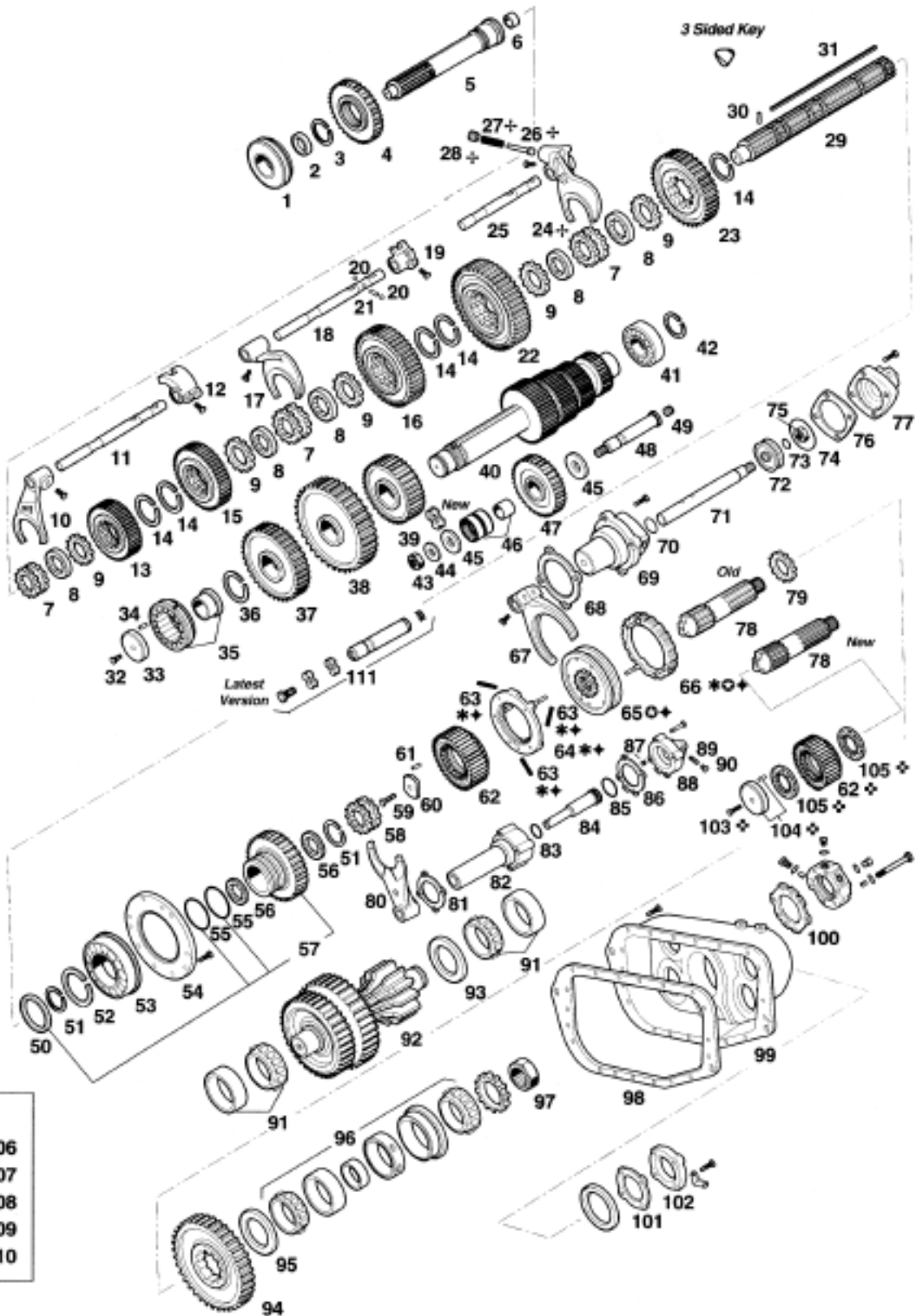
FULLER®

13 SPEED (Cont'd)

FIG. PART#	DESCRIPTION	<i>RT-11613</i>	<i>RTO-11613</i>	<i>RTOO-11613</i>	<i>RT-14613</i>	<i>RT-14613B</i>	<i>RTO-14613</i>	<i>RTOO-14613</i>	<i>RT-14813</i>	<i>RT-15613</i>	<i>RT-15613</i>	<i>RT-15613B</i>	<i>RTO-15613</i>
111 18019	WASHER				X	X	X	X	X	X	X	X	X
112 18250	SPACER	X	X	X									
112 18251	SPACER				X	X	X	X	X	X	X	X	X
113 20918	GEAR 52T	X			X	X			X	X			
113 20917	GEAR 40T		X	X			X	X					X
113 F96470	GEAR										X	X	
114 14327	SNAP RING	X	X	X	X	X	X	X	X	X	X	X	X
115 16310	WASHER S.7, 93 MM	X	X	X									
115 16315	WASHER				X	X	X	X	X	X	X	X	X
116 16337	WASHER S.4, 76 MM				X	X	X	X	X	X	X	X	X
117 22254	NUT	X	X	X	X	X	X	X	X	X	X	X	X
118 14335	GASKET	X	X	X	X	X	X	X	X	X	X	X	X
119 18700	REAR HOUSING	X	X	X									
119 18786	REAR HOUSING				X	X	X	X	X	X	X	X	X
120 A3071	BEARING	X	X	X									
120 A2892	BEARING				X	X	X	X	X	X	X	X	X
121 15532	GASKET	X	X	X	X	X	X	X	X	X	X	X	X
124 21320	SNAP RING RETAINER	X	X	X	X	X	X	X	X	X			X
125 19974	INSERT VALVE	X	X	X	X	X	X	X	X	X	X	X	X
126 15719	PLUG	X	X	X	X	X	X	X	X	X	X	X	X
127 K-1945	SYNCHRONIZER KIT- (OLD)	X	X	X	X	X	X	X	X	X	X	X	X
127 K-1946	SYNCHRONIZER KIT-(NEW)	X	X	X	X	X	X	X	X	X	X	X	X
128 T20099	SYNCHRO CLUTCH ASSY (NEW)	X	X	X	X	X	X	X	X	X	X	X	X
129 K-1947	SYNCHRO KIT W/SLIDING CLUTCH (OLD)	X	X	X	X	X	X	X	X	X	X	X	X
129 K-1948	SYNCHRO KIT W/SLIDING CLUTCH (NEW)	X	X	X	X	X	X	X	X	X	X	X	X
130 S-1219	YOKE ASSY	X	X	X	X	X	X	X	X	X	X	X	X
131 K-1959	GEAR KIT - SPLITTER	X											
131 K-1960	GEAR KIT - SPLITTER		X	X									
131 K-1961	GEAR KIT - SPLITTER				X				X	X			
131 K-1962	GEAR KIT - SPLITTER					X	X						X
132 K-3209	IDLER SHAFT REPL. KIT	X	X	X	X	X	X	X	X	X	X	X	X

PARTS LISTED IN THIS CATALOG ARE NOT NECESSARILY MANUFACTURED BY THE ORIGINAL EQUIPMENT MANUFACTURER AND ANY REFERENCE TO THE TRADEMARKS OR PART NUMBERS OF OTHERS ARE FOR CROSS REFERENCE INFORMATIONAL PURPOSES ONLY. THE TRADEMARKS OF OTHERS REFERRED TO HEREIN ARE OWNED BY THEIR RESPECTIVE COMPANIES AND ARE NOT AFFILIATED IN ANY WAY WITH MIDWEST TRUCK & AUTO PARTS, INC.® MOTIVE GEAR® AND WORLD AMERICAN® ARE THE REGISTERED TRADEMARKS OF MIDWEST TRUCK & AUTO PARTS, INC.® USE OF THE ® IN CONNECTION WITH A MARK OF MIDWEST TRUCK & AUTO PARTS, INC.® INDICATES THAT THE MARK IS REGISTERED IN AT LEAST THE UNITED STATES. NO REPRESENTATION IS MADE WITH RESPECT TO THE SOURCE OF MANUFACTURE OF ANY PARTICULAR PART. © 2005, MIDWEST TRUCK & AUTO PARTS, INC.® ALL RIGHTS RESERVED.

FULLER® 13 SPEED MODEL RTLO "B" 14613



Kits	
◇	= 106
*	= 107
○	= 108
+	= 109
⊕	= 110

PARTS LISTED IN THIS CATALOG ARE NOT NECESSARILY MANUFACTURED BY THE ORIGINAL EQUIPMENT MANUFACTURER AND ANY REFERENCE TO THE TRADEMARKS OR PART NUMBERS OF OTHERS ARE FOR CROSS REFERENCE INFORMATIONAL PURPOSES ONLY. THE TRADEMARKS OF OTHERS REFERRED TO HEREIN ARE OWNED BY THEIR RESPECTIVE COMPANIES AND ARE NOT AFFILIATED IN ANY WAY WITH MIDWEST TRUCK & AUTO PARTS, INC.® MOTIVE GEAR® AND WORLD AMERICAN® ARE THE REGISTERED TRADEMARKS OF MIDWEST TRUCK & AUTO PARTS, INC.® USE OF THE ® IN CONNECTION WITH A MARK OF MIDWEST TRUCK & AUTO PARTS, INC.® INDICATES THAT THE MARK IS REGISTERED IN AT LEAST THE UNITED STATES. NO REPRESENTATION IS MADE WITH RESPECT TO THE SOURCE OF MANUFACTURE OF ANY PARTICULAR PART. © 2005, MIDWEST TRUCK & AUTO PARTS, INC.® ALL RIGHTS RESERVED.

FULLER® 13 SPEED

FIG.	PART#	DESCRIPTION	RTLO" B" 14613
1	212SLV	BEARING	×
2	16463	SPACER	×
3	14750	SNAP RING	×
4	20458	GEAR MAIN DRIVE 48T	×
5	INPUT SHAFTS (SEE PGS. 327-328)		
6	16566	BUSHING	×
7	16118	SLIDING CLUTCH	×
8	4300830	WASHER (BLUE)	×
8	4300382	WASHER (WHITE)	×
8	4300383	WASHER (GREEN)	×
8	4300384	WASHER (ORANGE)	×
8	4300385	WASHER (PURPLE)	×
8	4300386	WASHER (YELLOW)	×
8	4300387	WASHER (BLACK)	×
9	14749	SPACER	×
10	16136	SHIFT YOKE	×
11	16134	YOKE BAR	×
12	14659	SHIFTING BLOCK	×
13	21587	GEAR M/S 58T	×
14	14750	SNAP RING	×
15	21589	GEAR M/S 24T	×
16	21591	GEAR M/S 60T	×
17	16135	SHIFT YOKE 2ND	×

FIG.	PART#	DESCRIPTION	RTLO" B" 14613
18	16133	YOKE BAR	×
19	14658	SHIFTING BLOCK	×
20	X-14-1200	BALL	×
21	1634	PIN	×
22	4300654	GEAR M/S 46T	×
23	16756	REVERSE GEAR M/S 46T	×
24	16131	REVERSE YOKE	×
25	16132	YOKE BAR	×
26	10019	PIN	×
27	6392	SPRING	×
28	8968	PLUG	×
29	S-1561	MAIN SHAFT ASSY 17T	×
30	62504	PIN 3X16	×
31	4300890	KEY	×
32	X-7-1005	BOLT 5/8"	×
33	19548	LOCKING DISK	×
34	62511	PIN	×
35	MS1309GEXR	BEARING	×
36	19198	SNAP RING	×
37	21586	GEAR C/S 69T	×
38	21588	GEAR C/S 60T	×
39	15953	GEAR C/S PTO 47T - LH PTO - LEFT	×

PARTS LISTED IN THIS CATALOG ARE NOT NECESSARILY MANUFACTURED BY THE ORIGINAL EQUIPMENT MANUFACTURER AND ANY REFERENCE TO THE TRADEMARKS OR PART NUMBERS OF OTHERS ARE FOR CROSS REFERENCE INFORMATIONAL PURPOSES ONLY. THE TRADEMARKS OF OTHERS REFERRED TO HEREIN ARE OWNED BY THEIR RESPECTIVE COMPANIES AND ARE NOT AFFILIATED IN ANY WAY WITH MIDWEST TRUCK & AUTO PARTS, INC.® MOTIVE GEAR® AND WORLD AMERICAN® ARE THE REGISTERED TRADEMARKS OF MIDWEST TRUCK & AUTO PARTS, INC.® USE OF THE ® IN CONNECTION WITH A MARK OF MIDWEST TRUCK & AUTO PARTS, INC.® INDICATES THAT THE MARK IS REGISTERED IN AT LEAST THE UNITED STATES. NO REPRESENTATION IS MADE WITH RESPECT TO THE SOURCE OF MANUFACTURE OF ANY PARTICULAR PART. © 2005, MIDWEST TRUCK & AUTO PARTS, INC.® ALL RIGHTS RESERVED.

FULLER®

13 SPEED (Cont'd)

FIG.	PART#	DESCRIPTION	RTLO™B™ 14613
39	20840	GEAR C/S PTO 45T - RH PTO - (RIGHT)	×
40	A-6689	COUNTERSHAFT ASSY	×
41	MU1308TV	BEARING	×
42	14317	SNAP RING	×
43	X-1-1008	NUT	×
44	14283	WASHER	×
45	14282	WASHER (OLD)	×
45	4302982	WASHER (NEW)	×
46	FWA1830	BEARING	×
47	16757	REVERSE GEAR 27T	×
48	16405	REVERSE GEAR PIN	×
49	5202	PLUG	×
50	21320	SNAP RING RETAINER	×
51	16763	SNAP RING	×
52	16628	SNAP RING	×
53	118L	BEARING	×
54	16138	RETAINER RING	×
55	17453	RETAINER RING	×
56	21599	WASHER	×
57	K-3189	AUX. GEAR KIT	×
58	21930	SLIDING CLUTCH 29T	×
59	X-7-1005	BOLT	×

FIG.	PART#	DESCRIPTION	RTLO™B™ 14613
60	21606	RETAINER	×
61	62511	PIN	×
62	21931	GEAR M/S 38T	×
63	14897	SPRING	×
64	A-4938	SYNCHRONIZER RING	×
65	20323	SLIDING CLUTCH	×
66	A-4937	SYNCHRONIZER RING	×
67	16775	SHIFT YOKE	×
67	22823	SHIFT YOKE (LATEST)	×
68	14347	GASKET	×
69	16778	CYLINDER	×
70	14765	O-RING	×
71	4300183	YOKE BAR	×
72	14341	PISTON	×
73	14345	O-RING	×
74	14344	O-RING	×
75	X-1-1010	NUT	×
76	14349	GASKET	×
77	19690	CYLINDER COVER	×
78	21604	MAIN SHAFT - (OLD)	×
78	4302059	OUTPUT SHAFT - (NEW)	×
79	19203	SPACER	×
80	21607	SHIFT YOKE	×

PARTS LISTED IN THIS CATALOG ARE NOT NECESSARILY MANUFACTURED BY THE ORIGINAL EQUIPMENT MANUFACTURER AND ANY REFERENCE TO THE TRADEMARKS OR PART NUMBERS OF OTHERS ARE FOR CROSS REFERENCE INFORMATIONAL PURPOSES ONLY. THE TRADEMARKS OF OTHERS REFERRED TO HEREIN ARE OWNED BY THEIR RESPECTIVE COMPANIES AND ARE NOT AFFILIATED IN ANY WAY WITH MIDWEST TRUCK & AUTO PARTS, INC.® MOTIVE GEAR® AND WORLD AMERICAN® ARE THE REGISTERED TRADEMARKS OF MIDWEST TRUCK & AUTO PARTS, INC.® USE OF THE ® IN CONNECTION WITH A MARK OF MIDWEST TRUCK & AUTO PARTS, INC.® INDICATES THAT THE MARK IS REGISTERED IN AT LEAST THE UNITED STATES. NO REPRESENTATION IS MADE WITH RESPECT TO THE SOURCE OF MANUFACTURE OF ANY PARTICULAR PART. © 2005, MIDWEST TRUCK & AUTO PARTS, INC.® ALL RIGHTS RESERVED.

FULLER®

13 SPEED (Cont'd)

FIG.	PART#	DESCRIPTION	RTLO" B" 14613
81	14632	GASKET	×
82	21609	CYLINDER	×
83	21208	O-RING	×
84	4300182	YOKE BAR	×
85	21209	O-RING	×
86	17073	GASKET	×
87	X-12-101	PLUG	×
88	21760	CYLINDER COVER	×
89	19974	INSERT VALVE	×
90	4301233	REDUCER BUSHING	×
91	ST4276	BEARING	×
92	A-5747	AUX. COUNTERSHAFT ASSY	×
93	4300184	WASHER	×
94	21918	GEAR M/S 50T	×
95	16772	WASHER	×
96	A2892	BEARING	×
97	22254	NUT	×
98	14335	GASKET	×
99	4300863	REAR COVER	×
100	15532	GASKET	×
101	4300186	GASKET	×
102	4300185	REAR COVER	×

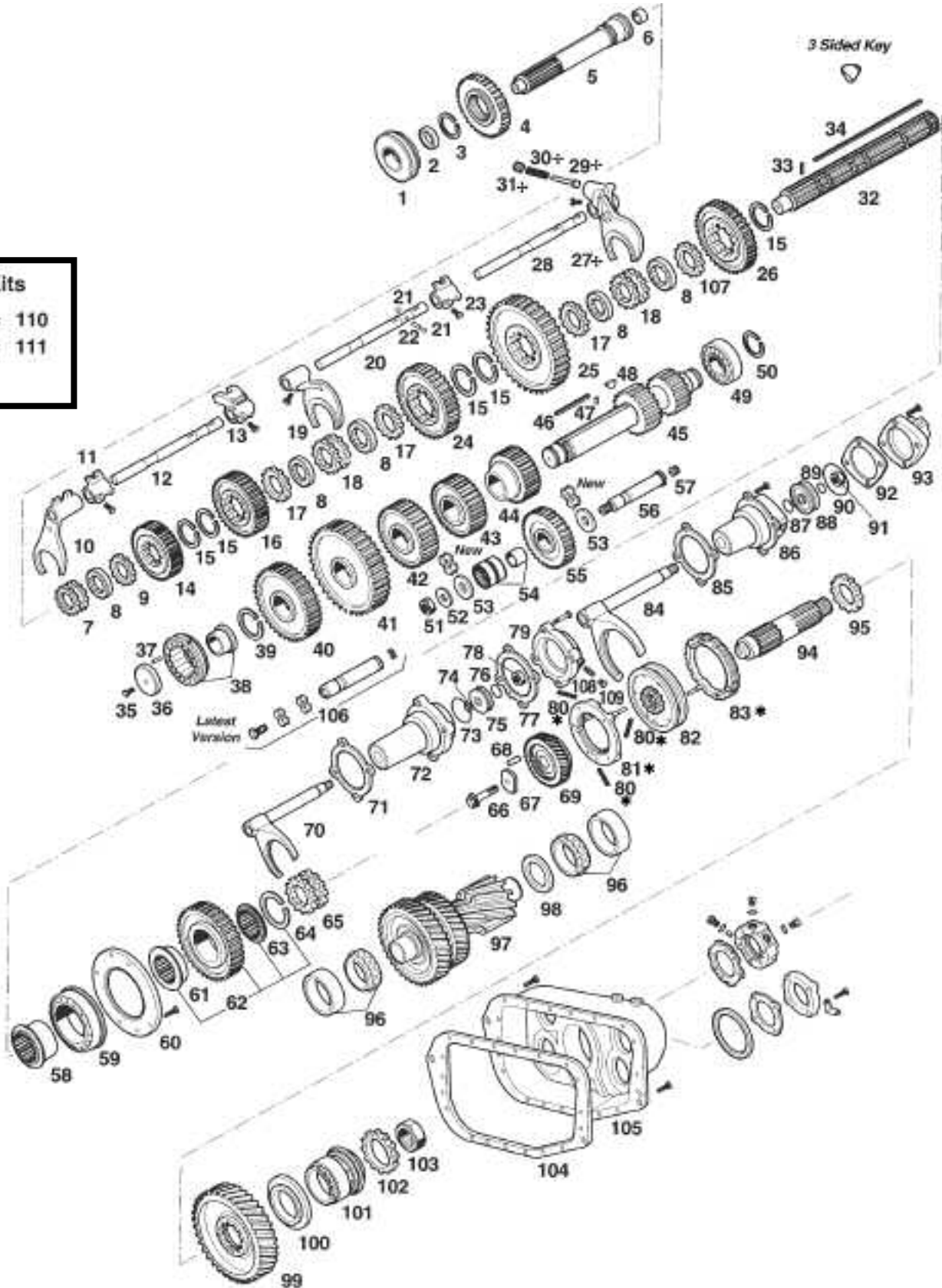
FIG.	PART#	DESCRIPTION	RTLO" B" 14613
103	X-7-1005	BOLT	×
104	A-6340	LOCKING DISK	×
105	4302058	BEARING	×
106	K-2616	MAINSHAFT REPL. KIT	×
107	K-1946	SYNCHRONIZER KIT	×
108	T20099	SYNCHRO CLUTCH ASSY	×
109	K-1947	SYNCHRO KIT W/SLIDING CLUTCH (OLD)	×
109	K-1948	SYNCHRO KIT W/SLIDING CLUTCH (NEW)	×
110	S-1219	YOKE ASSY	×
111	K-3209	IDLER SHAFT REPL. KIT	×
<p>CALL YOUR SALES REP FOR BEARING & SEAL KITS</p>			

PARTS LISTED IN THIS CATALOG ARE NOT NECESSARILY MANUFACTURED BY THE ORIGINAL EQUIPMENT MANUFACTURER AND ANY REFERENCE TO THE TRADEMARKS OR PART NUMBERS OF OTHERS ARE FOR CROSS REFERENCE INFORMATIONAL PURPOSES ONLY. THE TRADEMARKS OF OTHERS REFERRED TO HEREIN ARE OWNED BY THEIR RESPECTIVE COMPANIES AND ARE NOT AFFILIATED IN ANY WAY WITH MIDWEST TRUCK & AUTO PARTS, INC.® MOTIVE GEAR® AND WORLD AMERICAN® ARE THE REGISTERED TRADEMARKS OF MIDWEST TRUCK & AUTO PARTS, INC.® USE OF THE ® IN CONNECTION WITH A MARK OF MIDWEST TRUCK & AUTO PARTS, INC.® INDICATES THAT THE MARK IS REGISTERED IN AT LEAST THE UNITED STATES. NO REPRESENTATION IS MADE WITH RESPECT TO THE SOURCE OF MANUFACTURE OF ANY PARTICULAR PART. © 2005, MIDWEST TRUCK & AUTO PARTS, INC.® ALL RIGHTS RESERVED.

FULLER® 13 SPEED

MODEL RTLO-12713, RTLO-14713, RTLO-16713

Kits
 * = 110
 + = 111



PARTS LISTED IN THIS CATALOG ARE NOT NECESSARILY MANUFACTURED BY THE ORIGINAL EQUIPMENT MANUFACTURER AND ANY REFERENCE TO THE TRADEMARKS OR PART NUMBERS OF OTHERS ARE FOR CROSS REFERENCE INFORMATIONAL PURPOSES ONLY. THE TRADEMARKS OF OTHERS REFERRED TO HEREIN ARE OWNED BY THEIR RESPECTIVE COMPANIES AND ARE NOT AFFILIATED IN ANY WAY WITH MIDWEST TRUCK & AUTO PARTS, INC.® MOTIVE GEAR® AND WORLD AMERICAN® ARE THE REGISTERED TRADEMARKS OF MIDWEST TRUCK & AUTO PARTS, INC.® USE OF THE ® IN CONNECTION WITH A MARK OF MIDWEST TRUCK & AUTO PARTS, INC.® INDICATES THAT THE MARK IS REGISTERED IN AT LEAST THE UNITED STATES. NO REPRESENTATION IS MADE WITH RESPECT TO THE SOURCE OF MANUFACTURE OF ANY PARTICULAR PART. © 2005, MIDWEST TRUCK & AUTO PARTS, INC.® ALL RIGHTS RESERVED.

FULLER® 13 SPEED

FIG.	PART#	DESCRIPTION	RTLO-12713	RTLO-14713	RTLO-16713
1	212SLV	BEARING	X	X	X
2	16463	SPACER	X	X	X
3	14750	SNAP RING	X	X	X
4	22959	GEAR MAIN DRIVE	X		
4	22961	GEAR MAIN DRIVE 52T		X	
4	4300238	GEAR MAIN DRIVE 52T			X
5	INPUT SHAFTS (SEE PGS. 327-328)				
6	16566	BUSHING	X	X	X
7	22026	SLIDING CLUTCH	X	X	X
8	4300830	WASHER (BLUE)	X	X	X
8	4300382	WASHER (WHITE)	X	X	X
8	4300383	WASHER (GREEN)	X	X	X
8	4300384	WASHER (ORANGE)	X	X	X
8	4300385	WASHER (PURPLE)	X	X	X
8	4300386	WASHER (YELLOW)	X	X	X
8	4300387	WASHER (BLACK)	X	X	X
9	22032	SPACER	X	X	X
10	20450	SHIFT YOKE	X	X	X
11	20120	SHIFTING BLOCK	X	X	X
12	18928	YOKE BAR	X	X	X
13	19063	SHIFTING BLOCK	X	X	X
14	23102	GEAR M/S 42T	X		
14	4300190	GEAR M/S 42T		X	X
15	14750	SNAP RING	X	X	X
16	19622	GEAR M/S 2ND SPEED 50T	X	X	X
17	14749	SPACER	X	X	X
18	16118	SLIDING CLUTCH	X	X	X
19	18922	SHIFT YOKE	X	X	X
20	18927	YOKE BAR	X	X	X
21	X-14-1200	BALL	X	X	X
22	1634	PIN	X	X	X
23	14658	SHIFTING BLOCK	X	X	X
24	21024	GEAR M/S 1ST SPEED 60T	X	X	

PARTS LISTED IN THIS CATALOG ARE NOT NECESSARILY MANUFACTURED BY THE ORIGINAL EQUIPMENT MANUFACTURER AND ANY REFERENCE TO THE TRADEMARKS OR PART NUMBERS OF OTHERS ARE FOR CROSS REFERENCE INFORMATIONAL PURPOSES ONLY. THE TRADEMARKS OF OTHERS REFERRED TO HEREIN ARE OWNED BY THEIR RESPECTIVE COMPANIES AND ARE NOT AFFILIATED IN ANY WAY WITH MIDWEST TRUCK & AUTO PARTS, INC.® MOTIVE GEAR® AND WORLD AMERICAN® ARE THE REGISTERED TRADEMARKS OF MIDWEST TRUCK & AUTO PARTS, INC.® USE OF THE ® IN CONNECTION WITH A MARK OF MIDWEST TRUCK & AUTO PARTS, INC.® INDICATES THAT THE MARK IS REGISTERED IN AT LEAST THE UNITED STATES. NO REPRESENTATION IS MADE WITH RESPECT TO THE SOURCE OF MANUFACTURE OF ANY PARTICULAR PART. © 2005, MIDWEST TRUCK & AUTO PARTS, INC.® ALL RIGHTS RESERVED.

FULLER®

13 SPEED (Cont'd)

FIG.	PART#	DESCRIPTION	RTLO-12713	RTLO-14713	RTLO-16713
24	4300240	GEAR M/S 60T			X
25	4300033	GEAR M/S 46T	X	X	
25	4300242	GEAR M/S			X
26	23653	REVERSE GEAR	X	X	X
27	16131	REVERSE YOKE	X	X	X
28	18926	YOKE BAR	X	X	X
29	10019	PIN	X	X	X
30	6392	SPRING	X	X	X
31	8968	PLUG	X	X	X
32	S-2562	MAIN SHAFT 17T	X	X	X
33	62504	PIN 3X16	X	X	X
34	4300120	KEY	X	X	X
35	X-7-1005	BOLT 5/8"	X	X	X
36	19548	LOCKING DISK	X	X	X
37	62511	PIN	X	X	X
38	MS1309GEXR	BEARING	X	X	X
39	19198	SNAP RING	X	X	X
40	21018	GEAR C/S 66T	X	X	
40	21018	GEAR C/S 66T			X
41	15953	GEAR C/S PTO 47T - LH PTO (LEFT)	X	X	X
41	20840	GEAR C/S PTO 45T - RH PTO (RIGHT)	X	X	X
42	21262	GEAR C/S 73T	X		
42	4300191	GEAR C/S 73T		X	X
43	21264	GEAR C/S 46T	X	X	X
44	21025	GEAR C/S 1ST 39T	X	X	
44	4300241	GEAR C/S 39T			X
45	K-2956	COUNTERSHAFT KIT	X	X	
45	K-2958	COUNTERSHAFT KIT			X
46	19673	KEY	X	X	X
47	62511	PIN	X	X	X
48	X-6-E	KEY	X	X	X
49	MU1308TV	BEARING	X	X	X
50	14317	SNAP RING	X	X	X

PARTS LISTED IN THIS CATALOG ARE NOT NECESSARILY MANUFACTURED BY THE ORIGINAL EQUIPMENT MANUFACTURER AND ANY REFERENCE TO THE TRADEMARKS OR PART NUMBERS OF OTHERS ARE FOR CROSS REFERENCE INFORMATIONAL PURPOSES ONLY. THE TRADEMARKS OF OTHERS REFERRED TO HEREIN ARE OWNED BY THEIR RESPECTIVE COMPANIES AND ARE NOT AFFILIATED IN ANY WAY WITH MIDWEST TRUCK & AUTO PARTS, INC.® MOTIVE GEAR® AND WORLD AMERICAN® ARE THE REGISTERED TRADEMARKS OF MIDWEST TRUCK & AUTO PARTS, INC.® USE OF THE ® IN CONNECTION WITH A MARK OF MIDWEST TRUCK & AUTO PARTS, INC.® INDICATES THAT THE MARK IS REGISTERED IN AT LEAST THE UNITED STATES. NO REPRESENTATION IS MADE WITH RESPECT TO THE SOURCE OF MANUFACTURE OF ANY PARTICULAR PART. © 2005, MIDWEST TRUCK & AUTO PARTS, INC.® ALL RIGHTS RESERVED.

FULLER®

13 SPEED (Cont'd)

FIG.	PART#	DESCRIPTION	RTLO-12713	RTLO-14713	RTLO-16713
51	X-1-1008	NUT	×	×	×
52	14283	WASHER	×	×	×
53	14282	WASHER - (OLD)	×	×	×
53	4302982	WASHER - (NEW)	×	×	×
54	FWA1830	BEARING	×	×	×
55	16757	REVERSE GEAR 27T	×	×	×
56	16405	REVERSE GEAR PIN	×	×	×
57	5202	PLUG	×	×	×
58	4302046	SPACER	×	×	×
59	5566503	BEARING	×	×	×
60	4300894	RETAINER RING	×	×	×
61	4300911	SPACER	×	×	×
62	K-2807	GEAR AUX. DRIVE	×	×	
62	K-2808	GEAR AUX. DRIVE			×
63	4303185	WASHER	×	×	×
64	4301254	SNAP RING	×	×	×
65	4300907	SLIDING CLUTCH	×	×	×
66	X-7-1007	BOLT 5/8"	×	×	×
67	4302334	LOCKING DISK	×	×	×
68	62511	PIN	×	×	×
69	4301838	GEAR 38T	×	×	
69	4302041	GEAR			×
70	A-6304	WELDED YOKE ASSY	×	×	
70	A-6303	WELDED YOKE ASSY			×
71	14632	GASKET	×	×	×
72	21609	CYLINDER	×	×	×
73	21208	O-RING	×	×	×
74	13653	O-RING	×	×	×
75	4301964	PISTON	×	×	×
76	21209	O-RING	×	×	×
77	17073	GASKET	×	×	×
78	X-1-805	NUT	×	×	×
79	4300927	CYLINDER COVER	×	×	×

PARTS LISTED IN THIS CATALOG ARE NOT NECESSARILY MANUFACTURED BY THE ORIGINAL EQUIPMENT MANUFACTURER AND ANY REFERENCE TO THE TRADEMARKS OR PART NUMBERS OF OTHERS ARE FOR CROSS REFERENCE INFORMATIONAL PURPOSES ONLY. THE TRADEMARKS OF OTHERS REFERRED TO HEREIN ARE OWNED BY THEIR RESPECTIVE COMPANIES AND ARE NOT AFFILIATED IN ANY WAY WITH MIDWEST TRUCK & AUTO PARTS, INC.® MOTIVE GEAR® AND WORLD AMERICAN® ARE THE REGISTERED TRADEMARKS OF MIDWEST TRUCK & AUTO PARTS, INC.® USE OF THE ® IN CONNECTION WITH A MARK OF MIDWEST TRUCK & AUTO PARTS, INC.® INDICATES THAT THE MARK IS REGISTERED IN AT LEAST THE UNITED STATES. NO REPRESENTATION IS MADE WITH RESPECT TO THE SOURCE OF MANUFACTURE OF ANY PARTICULAR PART. © 2005, MIDWEST TRUCK & AUTO PARTS, INC.® ALL RIGHTS RESERVED.

FULLER®

13 SPEED (Cont'd)

FIG.	PART#	DESCRIPTION	RTLO-12713	RTLO-14713	RTLO-16713
80	14897	SPRING	×	×	×
81	A-4938	SYNCHRONIZER RING	×	×	×
82	4303386	SLIDING CLUTCH	×	×	×
83	A-4937	SYNCHRONIZER RING	×	×	×
84	A-6188	WELDED YOKE ASSY	×	×	
84	A-6224	WELDED YOKE ASSY			×
85	14347	GASKET	×	×	×
86	430184	CYLINDER	×	×	×
87	14765	O-RING	×	×	×
88	14341	PISTON	×	×	×
89	14345	O-RING	×	×	×
90	14344	O-RING	×	×	×
91	X-1-1010	NUT	×	×	×
92	14349	GASKET	×	×	×
93	19690	CYLINDER COVER	×	×	×
94	4301079	MAIN SHAFT	×		
94	4301075	MAIN SHAFT		×	×
95	4301842	WASHER	×	×	×
96	ST4276	BEARING	×	×	
96	4301851	BEARING			×
97	A-5942	AUX. SHAFT	×	×	
97	A-6604	AUX. SHAFT			×
98	21342	WASHER	×	×	
98	4300897	WASHER			×
99	4300934	GEAR 56T	×	×	
99	4300940	GEAR 56T			×
100	4300912	SPACER	×	×	×
101	21355	BEARING	×		
101	21356	BEARING		×	×
102	20192	SPACER	×		
102	20191	SPACER		×	×
103	22254	NUT	×	×	×

PARTS LISTED IN THIS CATALOG ARE NOT NECESSARILY MANUFACTURED BY THE ORIGINAL EQUIPMENT MANUFACTURER AND ANY REFERENCE TO THE TRADEMARKS OR PART NUMBERS OF OTHERS ARE FOR CROSS REFERENCE INFORMATIONAL PURPOSES ONLY. THE TRADEMARKS OF OTHERS REFERRED TO HEREIN ARE OWNED BY THEIR RESPECTIVE COMPANIES AND ARE NOT AFFILIATED IN ANY WAY WITH MIDWEST TRUCK & AUTO PARTS, INC.® MOTIVE GEAR® AND WORLD AMERICAN® ARE THE REGISTERED TRADEMARKS OF MIDWEST TRUCK & AUTO PARTS, INC.® USE OF THE ® IN CONNECTION WITH A MARK OF MIDWEST TRUCK & AUTO PARTS, INC.® INDICATES THAT THE MARK IS REGISTERED IN AT LEAST THE UNITED STATES. NO REPRESENTATION IS MADE WITH RESPECT TO THE SOURCE OF MANUFACTURE OF ANY PARTICULAR PART. © 2005, MIDWEST TRUCK & AUTO PARTS, INC.® ALL RIGHTS RESERVED.

FULLER®
13 SPEED (Cont'd)

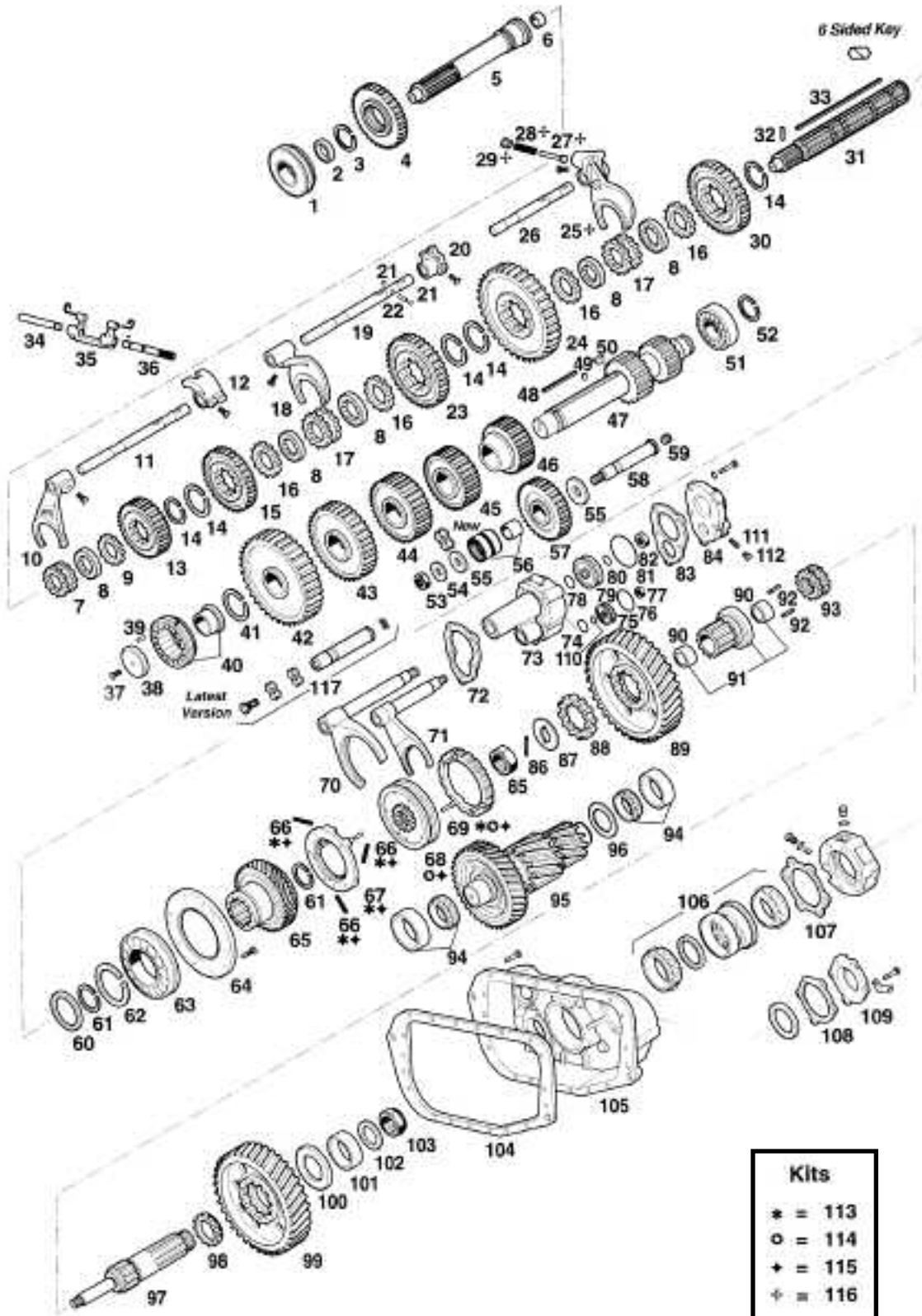
FIG.	PART#	DESCRIPTION	RTLO-12713	RTLO-14713	RTLO-16713
105	4300915	REAR COVER			×
106	K-3209	IDLER SHAFT REPL. KIT	×	×	×
107	4302047	SPACER	×	×	×
108	19974	INSERT VALVE	×	×	×
109	15719	PLUG	×	×	×
110	K-1946	SYNCHRONIZER KIT	×	×	×
111	S-1219	YOKE ASSY	×	×	×
112	K-1947	SYNCHRO KIT W/SLIDING CLUTCH (OLD)	×	×	×
112	K-1948	SYNCHRO KIT W/SLIDING CLUTCH (NEW)	×	×	×

CALL YOUR SALES REP FOR BEARING & SEAL KITS

PARTS LISTED IN THIS CATALOG ARE NOT NECESSARILY MANUFACTURED BY THE ORIGINAL EQUIPMENT MANUFACTURER AND ANY REFERENCE TO THE TRADEMARKS OR PART NUMBERS OF OTHERS ARE FOR CROSS REFERENCE INFORMATIONAL PURPOSES ONLY. THE TRADEMARKS OF OTHERS REFERRED TO HEREIN ARE OWNED BY THEIR RESPECTIVE COMPANIES AND ARE NOT AFFILIATED IN ANY WAY WITH MIDWEST TRUCK & AUTO PARTS, INC.® MOTIVE GEAR® AND WORLD AMERICAN® ARE THE REGISTERED TRADEMARKS OF MIDWEST TRUCK & AUTO PARTS, INC.® USE OF THE ® IN CONNECTION WITH A MARK OF MIDWEST TRUCK & AUTO PARTS, INC.® INDICATES THAT THE MARK IS REGISTERED IN AT LEAST THE UNITED STATES. NO REPRESENTATION IS MADE WITH RESPECT TO THE SOURCE OF MANUFACTURE OF ANY PARTICULAR PART. © 2005, MIDWEST TRUCK & AUTO PARTS, INC.® ALL RIGHTS RESERVED.

FULLER® 15 SPEED

MODEL RT-11715, RTO-11715, RTX-11715, RT-14715, RTO-14715,
RTO-14715, RT-15715, RTO-15715, RTX-15715



PARTS LISTED IN THIS CATALOG ARE NOT NECESSARILY MANUFACTURED BY THE ORIGINAL EQUIPMENT MANUFACTURER AND ANY REFERENCE TO THE TRADEMARKS OR PART NUMBERS OF OTHERS ARE FOR CROSS REFERENCE INFORMATIONAL PURPOSES ONLY. THE TRADEMARKS OF OTHERS REFERRED TO HEREIN ARE OWNED BY THEIR RESPECTIVE COMPANIES AND ARE NOT AFFILIATED IN ANY WAY WITH MIDWEST TRUCK & AUTO PARTS, INC.® MOTIVE GEAR® AND WORLD AMERICAN® ARE THE REGISTERED TRADEMARKS OF MIDWEST TRUCK & AUTO PARTS, INC.® USE OF THE ® IN CONNECTION WITH A MARK OF MIDWEST TRUCK & AUTO PARTS, INC.® INDICATES THAT THE MARK IS REGISTERED IN AT LEAST THE UNITED STATES. NO REPRESENTATION IS MADE WITH RESPECT TO THE SOURCE OF MANUFACTURE OF ANY PARTICULAR PART. © 2005, MIDWEST TRUCK & AUTO PARTS, INC.® ALL RIGHTS RESERVED.

FULLER® 15 SPEED

FIG. PART#	DESCRIPTION	RT-11715	RTO-11715	RTX-11715	RT-14715	RTO-14715	RTX-14715	RT-15715	RTO-15715	RTX-15715
1	212SLV BEARING	X	X	X	X	X	X	X	X	X
2	16463 SPACER	X	X	X	X	X	X	X	X	X
3	14750 SNAP RING	X	X	X	X	X	X	X	X	X
4	20458 GEAR MAIN DRIVE 48T	X			X			X		
4	22025 GEAR MAIN DRIVE 54T		X	X		X	X		X	X
5 INPUT SHAFTS (SEE PGS. 329-330)										
6	16566 BUSHING	X	X	X	X	X	X	X	X	X
7	16118 SLIDING CLUTCH	X			X			X		
7	22026 SLIDING CLUTCH		X	X		X	X			
8	14711 WASHER S.6, 299-6, 350 MM (WHITE)	X	X	X	X	X	X	X	X	X
8	14712 WASHER S.6, 426-6, 477 MM (GREEN)	X	X	X	X	X	X	X	X	X
8	14713 WASHER S.6, 553-6, 604 MM (ORANGE)	X	X	X	X	X	X	X	X	X
8	14714 WASHER S.6, 680-6, 731 MM (PURPLE)	X	X	X	X	X	X	X	X	X
8	14715 WASHER S.6, 807-6, 858 MM (YELLOW)	X	X	X	X	X	X	X	X	X
8	14716 WASHER S.6, 934-6, 985 MM (BLACK)	X	X	X	X	X	X	X	X	X
9	14749 SPACER	X			X			X		
9	22032 SPACER		X	X		X	X		X	X
10	16136 SHIFT YOKE	X	X		X	X		X	X	
10	20450 SHIFT YOKE			X			X			X
11	16134 YOKE BAR	X	X		X	X		X	X	
11	18928 YOKE BAR			X			X			X
12	14659 SHIFTING BLOCK	X	X		X	X		X	X	
12	19063 SHIFTING BLOCK			X			X			X
13	20377 GEAR M/S 54T	X			X			X		
13	22027 GEAR M/S 48T		X	X		X	X			
13	22031 GEAR M/S 48T								X	X
14	14750 SNAP RING	X	X	X	X	X	X	X	X	X
15	20379 GEAR M/S 54T	X	X	X	X	X	X	X	X	X
16	14749 SPACER	X	X	X	X	X	X	X	X	X
17	16118 SLIDING CLUTCH	X	X	X	X	X	X	X	X	X
18	16135 SHIFT YOKE 2ND	X	X		X	X		X	X	
18	18922 SHIFT YOKE			X			X			X
19	16133 YOKE BAR	X	X		X	X		X	X	

PARTS LISTED IN THIS CATALOG ARE NOT NECESSARILY MANUFACTURED BY THE ORIGINAL EQUIPMENT MANUFACTURER AND ANY REFERENCE TO THE TRADEMARKS OR PART NUMBERS OF OTHERS ARE FOR CROSS REFERENCE INFORMATIONAL PURPOSES ONLY. THE TRADEMARKS OF OTHERS REFERRED TO HEREIN ARE OWNED BY THEIR RESPECTIVE COMPANIES AND ARE NOT AFFILIATED IN ANY WAY WITH MIDWEST TRUCK & AUTO PARTS, INC.® MOTIVE GEAR® AND WORLD AMERICAN® ARE THE REGISTERED TRADEMARKS OF MIDWEST TRUCK & AUTO PARTS, INC.® USE OF THE ® IN CONNECTION WITH A MARK OF MIDWEST TRUCK & AUTO PARTS, INC.® INDICATES THAT THE MARK IS REGISTERED IN AT LEAST THE UNITED STATES. NO REPRESENTATION IS MADE WITH RESPECT TO THE SOURCE OF MANUFACTURE OF ANY PARTICULAR PART. © 2005, MIDWEST TRUCK & AUTO PARTS, INC.® ALL RIGHTS RESERVED.

FULLER®

15 SPEED (Cont'd)

FIG. PART#	DESCRIPTION	RT-11715	RTO-11715	RTX-11715	RT-14715	RTO-14715	RTX-14715	RT-15715	RTO-15715	RTX-15715
19 18927	YOKE BAR			X			X			X
20 14658	SHIFTING BLOCK	X	X	X	X	X	X	X	X	X
21 X-14-1200	BALL	X	X	X	X	X	X	X	X	X
22 1634	PIN	X	X	X	X	X	X	X	X	X
23 20381	GEAR M/S 58T	X	X	X	X	X	X	X	X	X
24 20383	GEAR M/S 66T	X	X	X	X	X	X	X	X	X
25 16131	REVERSE YOKE	X	X	X	X	X	X	X	X	X
26 16132	YOKE BAR	X	X		X	X		X	X	
26 18926	YOKE BAR			X			X			X
27 10019	PIN	X	X	X	X	X	X	X	X	X
28 6392	SPRING	X	X	X	X	X	X	X	X	X
29 8968	PLUG	X	X	X	X	X	X	X	X	X
30 16949	GEAR M/S 46T	X	X	X	X	X	X	X	X	X
31 S-2120	MAIN SHAFT ASSY 17T	X	X	X	X	X	X	X	X	X
32 62504	PIN 3X16	X	X	X	X	X	X	X	X	X
33 21326	KEY	X	X	X	X	X	X	X	X	X
34 14494	PEDAL SHAFT	X	X	X	X	X	X	X	X	X
35 12817	YOKE-CLUTCH RELEASE	X	X	X	X	X	X	X	X	X
36 1984	PEDAL SHAFT	X	X	X	X	X	X	X	X	X
36 1983	PEDAL SHAFT	X	X	X	X	X	X	X	X	X
37 X-7-1005	BOLT	X	X	X	X	X	X	X	X	X
38 19668	LOCKING DISK	X								
38 19548	LOCKING DISK		X	X	X	X	X	X	X	X
39 62511	PIN	X	X	X	X	X	X	X	X	X
40 1309L	BEARING	X								
40 MS1309GEXR	BEARING		X	X	X	X	X	X	X	X
41 19198	SNAP RING	X	X	X	X	X	X	X	X	X
42 20459	GEAR C/S 69T	X			X			X		
42 20461	GEAR C/S 61T		X	X		X	X		X	X
43 15953	GEAR C/S PTO 47T- LH PTO (LEFT)	X	X	X	X	X	X	X	X	X
43 20840	GEAR C/S PTO 45T- RH PTO (RIGHT)	X	X	X	X	X	X	X	X	X
44 20461	GEAR C/S 61T	X			X			X		

PARTS LISTED IN THIS CATALOG ARE NOT NECESSARILY MANUFACTURED BY THE ORIGINAL EQUIPMENT MANUFACTURER AND ANY REFERENCE TO THE TRADEMARKS OR PART NUMBERS OF OTHERS ARE FOR CROSS REFERENCE INFORMATIONAL PURPOSES ONLY. THE TRADEMARKS OF OTHERS REFERRED TO HEREIN ARE OWNED BY THEIR RESPECTIVE COMPANIES AND ARE NOT AFFILIATED IN ANY WAY WITH MIDWEST TRUCK & AUTO PARTS, INC.® MOTIVE GEAR® AND WORLD AMERICAN® ARE THE REGISTERED TRADEMARKS OF MIDWEST TRUCK & AUTO PARTS, INC.® USE OF THE ® IN CONNECTION WITH A MARK OF MIDWEST TRUCK & AUTO PARTS, INC.® INDICATES THAT THE MARK IS REGISTERED IN AT LEAST THE UNITED STATES. NO REPRESENTATION IS MADE WITH RESPECT TO THE SOURCE OF MANUFACTURE OF ANY PARTICULAR PART. © 2005, MIDWEST TRUCK & AUTO PARTS, INC.® ALL RIGHTS RESERVED.

FULLER®

15 SPEED (Cont'd)

FIG.	PART#	DESCRIPTION	RT-11715	RTO-11715	RTX-11715	RT-14715	RTO-14715	RTX-14715	RT-15715	RTO-15715	RTX-15715
44	20459	GEAR C/S 69T		X	X		X	X		X	X
45	20380	GEAR C/S 47T	X	X	X	X	X	X	X	X	X
46	20382	GEAR C/S 39T	X	X	X	X	X	X	X	X	X
47	K-1925	COUNTERSHAFT KIT	X	X	X	X	X	X			
47	K-1926	COUNTERSHAFT KIT							X	X	X
48	19673	KEY	X	X	X	X	X	X	X	X	X
49	62511	PIN	X	X	X	X	X	X	X	X	X
50	X-6-E	KEY	X	X	X	X	X	X	X	X	X
51	MU1308TV	BEARING	X	X	X	X	X	X	X	X	X
52	14317	SNAP RING	X	X	X	X	X	X	X	X	X
53	X-1-1008	NUT	X	X	X	X	X	X	X	X	X
54	14283	WASHER	X	X	X	X	X	X	X	X	X
55	14282	WASHER - (OLD)	X	X	X	X	X	X	X	X	X
55	4302982	WASHER - (NEW)	X	X	X	X	X	X	X	X	X
56	FWA1830	BEARING	X	X	X	X	X	X	X	X	X
57	16953	REVERSE GEAR 29T	X	X	X	X	X	X	X	X	X
58	16405	REVERSE GEAR PIN	X	X	X	X	X	X	X	X	X
59	5202	PLUG	X	X	X	X	X	X	X	X	X
60	21320	SNAP RING RETAINER	X	X	X	X	X	X	X	X	X
61	16763	SNAP RING	X	X	X	X	X	X	X	X	X
62	16628	SNAP RING	X	X	X	X	X	X	X	X	X
63	118L	BEARING	X	X	X	X	X	X	X	X	X
64	16138	RETAINER RING	X	X	X	X	X	X	X	X	X
65	21321	GEAR AUX. DRIVE 34T	X	X	X	X	X	X	X	X	X
66	14897	SPRING	X	X	X	X	X	X	X	X	X
67	A-4938	SYNCHRONIZER RING	X	X	X	X	X	X	X	X	X
68	20323	SLIDING CLUTCH	X	X	X	X	X	X	X	X	X
69	A-4937	SYNCHRONIZER RING	X	X	X	X	X	X	X	X	X
70	A-5159	SELECTOR FORK	X	X	X	X	X	X	X	X	X
71	A-5160	SELECTOR FORK	X	X	X	X	X	X	X	X	X
72	21332	GASKET	X	X	X	X	X	X	X	X	X
73	21330	CYLINDER	X	X	X	X	X	X	X	X	X

PARTS LISTED IN THIS CATALOG ARE NOT NECESSARILY MANUFACTURED BY THE ORIGINAL EQUIPMENT MANUFACTURER AND ANY REFERENCE TO THE TRADEMARKS OR PART NUMBERS OF OTHERS ARE FOR CROSS REFERENCE INFORMATIONAL PURPOSES ONLY. THE TRADEMARKS OF OTHERS REFERRED TO HEREIN ARE OWNED BY THEIR RESPECTIVE COMPANIES AND ARE NOT AFFILIATED IN ANY WAY WITH MIDWEST TRUCK & AUTO PARTS, INC.® MOTIVE GEAR® AND WORLD AMERICAN® ARE THE REGISTERED TRADEMARKS OF MIDWEST TRUCK & AUTO PARTS, INC.® USE OF THE ® IN CONNECTION WITH A MARK OF MIDWEST TRUCK & AUTO PARTS, INC.® INDICATES THAT THE MARK IS REGISTERED IN AT LEAST THE UNITED STATES. NO REPRESENTATION IS MADE WITH RESPECT TO THE SOURCE OF MANUFACTURE OF ANY PARTICULAR PART. © 2005, MIDWEST TRUCK & AUTO PARTS, INC.® ALL RIGHTS RESERVED.

FULLER®

15 SPEED (Cont'd)

FIG.	PART#	DESCRIPTION	RT-11715	RTO-11715	RTX-11715	RT-14715	RTO-14715	RTX-14715	RT-15715	RTO-15715	RTX-15715
74	14644	O-RING	X	X	X	X	X	X	X	X	X
75	21337	PISTON	X	X	X	X	X	X	X	X	X
76	20423	O-RING	X	X	X	X	X	X	X	X	X
77	X-1-803	NUT	X	X	X	X	X	X	X	X	X
78	14765	O-RING	X	X	X	X	X	X	X	X	X
79	14341	PISTON	X	X	X	X	X	X	X	X	X
80	14345	O-RING	X	X	X	X	X	X	X	X	X
81	14344	O-RING	X	X	X	X	X	X	X	X	X
82	X-1-1010	NUT	X	X	X	X	X	X	X	X	X
83	21331	GASKET	X	X	X	X	X	X	X	X	X
84	21329	CYLINDER COVER	X	X	X	X	X	X	X	X	X
85	21365	NUT	X	X	X	X	X	X	X	X	X
86	17332	PIN	X	X	X	X	X	X	X	X	X
87	21347	WASHER	X	X	X	X	X	X	X	X	X
88	21350	WASHER S.6, 60-6, 55 MM	X	X	X	X	X	X	X	X	X
89	21361	GEAR 48T	X	X	X	X	X	X	X	X	X
90	21352	BUSHING	X	X	X	X	X	X	X	X	X
91	A-5156	MAIN SHAFT ASSY 18T	X	X	X	X	X	X	X	X	X
92	21652	PIN	X	X	X	X	X	X	X	X	X
93	21360	SLIDING CLUTCH	X	X	X	X	X	X	X	X	X
94	ST4276	BEARING	X	X	X	X	X	X	X	X	X
95	A-5158	COUNTERSHAFT ASSY	X	X	X	X	X	X	X	X	X
96	21342	WASHER	X	X	X	X	X	X	X	X	X
97	21325	OUTPUT SHAFT 18T	X	X	X	X	X	X	X	X	X
98	21353	WASHER	X	X	X						
98	21354	WASHER				X	X	X	X	X	X
99	21361	GEAR 48T	X	X	X	X	X	X	X	X	X
100	21357	WASHER	X	X	X						
100	21358	WASHER				X	X	X	X	X	X
101	16295	SPACER				X	X	X	X	X	X
102	16337	WASHER S.4, 76 MM				X	X	X			
103	22254	NUT	X	X	X	X	X	X	X	X	X
104	14335	GASKET	X	X	X	X	X	X	X	X	X

PARTS LISTED IN THIS CATALOG ARE NOT NECESSARILY MANUFACTURED BY THE ORIGINAL EQUIPMENT MANUFACTURER AND ANY REFERENCE TO THE TRADEMARKS OR PART NUMBERS OF OTHERS ARE FOR CROSS REFERENCE INFORMATIONAL PURPOSES ONLY. THE TRADEMARKS OF OTHERS REFERRED TO HEREIN ARE OWNED BY THEIR RESPECTIVE COMPANIES AND ARE NOT AFFILIATED IN ANY WAY WITH MIDWEST TRUCK & AUTO PARTS, INC.® MOTIVE GEAR® AND WORLD AMERICAN® ARE THE REGISTERED TRADEMARKS OF MIDWEST TRUCK & AUTO PARTS, INC.® USE OF THE ® IN CONNECTION WITH A MARK OF MIDWEST TRUCK & AUTO PARTS, INC.® INDICATES THAT THE MARK IS REGISTERED IN AT LEAST THE UNITED STATES. NO REPRESENTATION IS MADE WITH RESPECT TO THE SOURCE OF MANUFACTURE OF ANY PARTICULAR PART. © 2005, MIDWEST TRUCK & AUTO PARTS, INC.® ALL RIGHTS RESERVED.

FULLER®

15 SPEED (Cont'd)

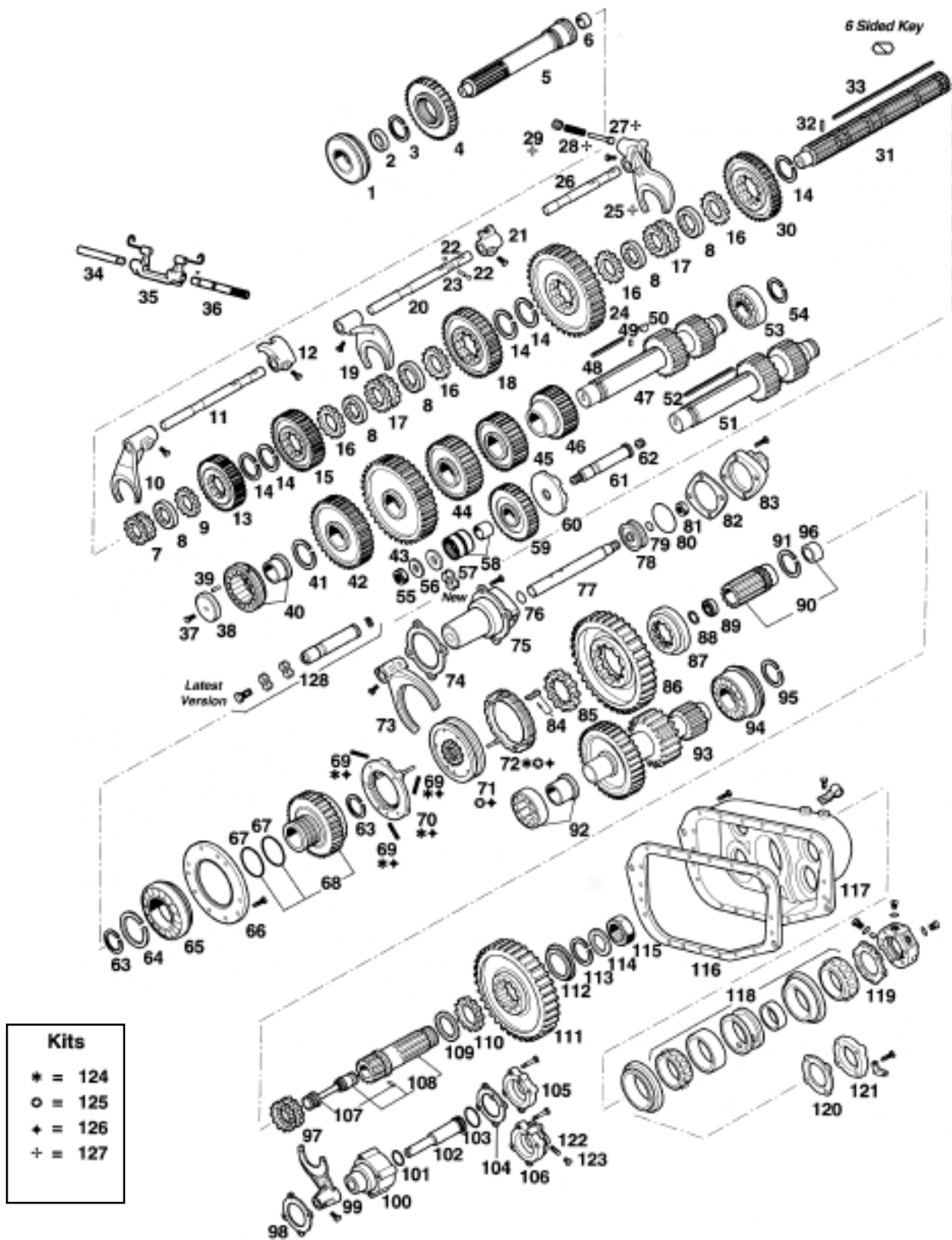
FIG.	PART#	DESCRIPTION	RT-11715	RTO-11715	RTX-11715	RT-14715	RTO-14715	RTX-14715	RT-15715	RTO-15715	RTX-15715
105	21431	REAR HOUSING	X	X	X	X	X	X	X	X	X
106	21355	BEARING	X	X	X						
106	21356	BEARING				X	X	X	X	X	X
107	21364	GASKET	X	X	X	X	X	X	X	X	X
108	21345	GASKET	X	X	X	X	X	X	X	X	X
109	21346	COVER	X	X	X	X	X	X	X	X	X
110	21338	GASKET				X	X	X	X	X	X
111	19974	INSERT VALVE	X	X	X	X	X	X	X	X	X
112	15719	PLUG	X	X	X	X	X	X	X	X	X
113	K-1946	SYNCHRONIZER KIT	X	X	X	X	X	X	X	X	X
114	T20099	SYNCHRO CLUTCH ASSY	X	X	X	X	X	X	X	X	X
115	K-1947	SYNCHRO KIT W/SLIDING CLUTCH (OLD)	X	X	X	X	X	X	X	X	X
115	K-1948	SYNCHRO KIT W/SLIDING CLUTCH (NEW)	X	X	X	X	X	X	X	X	X
116	S-1219	YOKE ASSY	X	X	X	X	X	X	X	X	X
117	K-3209	IDLER SHAFT REPL. KIT	X	X	X	X	X	X	X	X	X

CALL YOUR SALES REP FOR BEARING & SEAL KITS

PARTS LISTED IN THIS CATALOG ARE NOT NECESSARILY MANUFACTURED BY THE ORIGINAL EQUIPMENT MANUFACTURER AND ANY REFERENCE TO THE TRADEMARKS OR PART NUMBERS OF OTHERS ARE FOR CROSS REFERENCE INFORMATIONAL PURPOSES ONLY. THE TRADEMARKS OF OTHERS REFERRED TO HEREIN ARE OWNED BY THEIR RESPECTIVE COMPANIES AND ARE NOT AFFILIATED IN ANY WAY WITH MIDWEST TRUCK & AUTO PARTS, INC.® MOTIVE GEAR® AND WORLD AMERICAN® ARE THE REGISTERED TRADEMARKS OF MIDWEST TRUCK & AUTO PARTS, INC.® USE OF THE ® IN CONNECTION WITH A MARK OF MIDWEST TRUCK & AUTO PARTS, INC.® INDICATES THAT THE MARK IS REGISTERED IN AT LEAST THE UNITED STATES. NO REPRESENTATION IS MADE WITH RESPECT TO THE SOURCE OF MANUFACTURE OF ANY PARTICULAR PART. © 2005, MIDWEST TRUCK & AUTO PARTS, INC.® ALL RIGHTS RESERVED.

FULLER® 15 SPEED

MODEL RT-11615, RTO-11615, RTX-11615, RT-14615, RTO-14615,
RTX-14615, RT-15615, RTO-15615, RTX-15615



Kits	
*	= 124
o	= 125
+	= 126
+	= 127

PARTS LISTED IN THIS CATALOG ARE NOT NECESSARILY MANUFACTURED BY THE ORIGINAL EQUIPMENT MANUFACTURER AND ANY REFERENCE TO THE TRADEMARKS OR PART NUMBERS OF OTHERS ARE FOR CROSS REFERENCE INFORMATIONAL PURPOSES ONLY. THE TRADEMARKS OF OTHERS REFERRED TO HEREIN ARE OWNED BY THEIR RESPECTIVE COMPANIES AND ARE NOT AFFILIATED IN ANY WAY WITH MIDWEST TRUCK & AUTO PARTS, INC.® MOTIVE GEAR® AND WORLD AMERICAN® ARE THE REGISTERED TRADEMARKS OF MIDWEST TRUCK & AUTO PARTS, INC.® USE OF THE ® IN CONNECTION WITH A MARK OF MIDWEST TRUCK & AUTO PARTS, INC.® INDICATES THAT THE MARK IS REGISTERED IN AT LEAST THE UNITED STATES. NO REPRESENTATION IS MADE WITH RESPECT TO THE SOURCE OF MANUFACTURE OF ANY PARTICULAR PART. © 2005, MIDWEST TRUCK & AUTO PARTS, INC.® ALL RIGHTS RESERVED.

FULLER® 15 SPEED

FIG.	PART#	DESCRIPTION	RT-11615	RTO-11615	RTX-11615	RT-14615	RTO-14615	RTX-14615	RT-15615	RTO-15615	RTX-15615
1	212SLV	BEARING	X	X	X	X	X	X	X	X	X
2	16463	SPACER	X	X	X	X	X	X	X	X	X
3	14750	SNAP RING	X	X	X	X	X	X	X	X	X
4	20458	GEAR MAIN DRIVE 48T	X			X			X		
4	20460	GEAR MAIN DRIVE 54T		X	X		X	X		X	X
4	22029	GEAR MAIN DRIVE		X	X						
4	22025	GEAR MAIN DRIVE 54T					X	X		X	X
5	INPUT SHAFTS (SEE PGS. 329-330)										
6	16566	BUSHING	X	X	X	X	X	X	X	X	X
7	16118	SLIDING CLUTCH	X			X			X		
7	16118	SLIDING CLUTCH		X	X		X	X		X	X
7	22026	SLIDING CLUTCH		X	X		X	X		X	X
8	14711	WASHER S.6, 299-6, 350 MM (WHITE)	X	X	X	X	X	X	X	X	X
8	14712	WASHER S.6, 426-6, 477 MM (GREEN)	X	X	X	X	X	X	X	X	X
8	14713	WASHER S.6, 553-6, 604 MM (ORANGE)	X	X	X	X	X	X	X	X	X
8	14714	WASHER S.6, 680-6, 731 MM (PURPLE)	X	X	X	X	X	X	X	X	X
8	14715	WASHER S.6, 807-6, 858 MM (YELLOW)	X	X	X	X	X	X	X	X	X
8	14716	WASHER S.6, 934-6, 985 MM (BLACK)	X	X	X	X	X	X	X	X	X
9	14749	SPACER	X			X			X		
9	14749	SPACER		X	X		X	X		X	X
9	22032	SPACER		X	X		X	X		X	X
10	16136	SHIFT YOKE	X	X		X	X		X	X	
10	20450	SHIFT YOKE			X			X			X
11	16134	YOKE BAR	X	X		X	X		X	X	
11	18928	YOKE BAR			X			X			X
12	14659	SHIFTING BLOCK	X	X		X	X		X	X	
12	19063	SHIFTING BLOCK			X			X			X
13	20377	GEAR M/S 54T	X			X			X		
13	19632	GEAR M/S 48T		X	X		X	X			
13	22027	GEAR M/S 48T		X	X		X	X			
13	20480	GEAR M/S 48T								X	X
13	22031	GEAR M/S 48T								X	X
14	14750	SNAP RING	X	X	X	X	X	X	X	X	X
15	20379	GEAR M/S 54T	X	X	X	X	X	X	X	X	X
16	14749	SPACER	X	X	X	X	X	X	X	X	X
17	16118	SLIDING CLUTCH	X	X	X	X	X	X	X	X	X
18	20381	GEAR M/S 58T	X	X	X	X	X	X	X	X	X
19	16135	SHIFT YOKE 2ND	X	X		X	X		X	X	
19	18922	SHIFT YOKE			X			X			X

PARTS LISTED IN THIS CATALOG ARE NOT NECESSARILY MANUFACTURED BY THE ORIGINAL EQUIPMENT MANUFACTURER AND ANY REFERENCE TO THE TRADEMARKS OR PART NUMBERS OF OTHERS ARE FOR CROSS REFERENCE INFORMATIONAL PURPOSES ONLY. THE TRADEMARKS OF OTHERS REFERRED TO HEREIN ARE OWNED BY THEIR RESPECTIVE COMPANIES AND ARE NOT AFFILIATED IN ANY WAY WITH MIDWEST TRUCK & AUTO PARTS, INC.® MOTIVE GEAR® AND WORLD AMERICAN® ARE THE REGISTERED TRADEMARKS OF MIDWEST TRUCK & AUTO PARTS, INC.® USE OF THE ® IN CONNECTION WITH A MARK OF MIDWEST TRUCK & AUTO PARTS, INC.® INDICATES THAT THE MARK IS REGISTERED IN AT LEAST THE UNITED STATES. NO REPRESENTATION IS MADE WITH RESPECT TO THE SOURCE OF MANUFACTURE OF ANY PARTICULAR PART. © 2005, MIDWEST TRUCK & AUTO PARTS, INC.® ALL RIGHTS RESERVED.

FULLER®

15 SPEED (Cont'd)

FIG.	PART#	DESCRIPTION	RT-11615	RTO-11615	RTX-11615	RT-14615	RTO-14615	RTX-14615	RT-15615	RTO-15615	RTX-15615
20	16133	YOKE BAR	X	X		X	X		X	X	
20	18927	YOKE BAR			X			X			X
21	14658	SHIFTING BLOCK	X	X	X	X	X	X	X	X	X
22	X-14-1200	BALL	X	X	X	X	X	X	X	X	X
23	1634	PIN	X	X	X	X	X	X	X	X	X
24	20383	GEAR M/S 66T	X	X	X	X	X	X	X	X	X
25	16131	REVERSE YOKE	X	X	X	X	X	X	X	X	X
26	16132	YOKE BAR	X	X		X	X		X	X	
26	18926	YOKE BAR			X			X			X
27	10019	PIN	X	X	X	X	X	X	X	X	X
28	6392	SPRING	X	X	X	X	X	X	X	X	X
29	8968	PLUG	X	X	X	X	X	X	X	X	X
30	16949	GEAR M/S 46T	X	X	X	X	X	X	X	X	X
31	S-1341	MAIN SHAFT ASSY 17T	X	X	X	X	X	X	X	X	X
32	62504	PIN 3X16	X	X	X	X	X	X	X	X	X
33	17109	KEY	X	X	X	X	X	X	X	X	X
34	14494	PEDAL SHAFT	X	X	X						
35	12817	YOKE-CLUTCH RELEASE	X	X	X						
36	1984	PEDAL SHAFT	X	X	X						
36	1983	PEDAL SHAFT	X	X	X						
37	X-7-1005	BOLT 5/8"	X	X	X	X	X	X	X	X	X
38	19668	LOCKING DISK	X	X	X						
38	19548	LOCKING DISK	X	X	X	X	X	X	X	X	X
39	62511	PIN	X	X	X	X	X	X	X	X	X
40	1309L	BEARING	X	X	X						
40	MS1309GEXR	BEARING	X	X	X	X	X	X	X	X	X
41	19198	SNAP RING	X	X	X	X	X	X	X	X	X
42	20459	GEAR C/S 69T	X			X			X		
42	20461	GEAR C/S 61T		X	X		X	X		X	X
43	15953	GEAR C/S PTO 47T-LH PTO (LEFT)	X	X	X	X	X	X	X	X	X
43	20840	GEAR C/S PTO 45T-RH PTO (RIGHT)	X	X	X	X	X	X	X	X	X
44	20461	GEAR C/S 61T	X			X			X		
44	20459	GEAR C/S 69T		X	X		X	X		X	X
45	20380	GEAR C/S 47T	X	X	X	X	X	X	X	X	X
46	20382	GEAR C/S 39T	X	X	X	X	X	X	X	X	X
47	K1925	COUNTERSHAFT KIT	X	X	X	X	X	X			
47	K-1926	COUNTERSHAFT KIT							X	X	X
48	19673	KEY	X	X	X	X	X	X	X	X	X
49	62511	PIN	X	X	X	X	X	X	X	X	X

PARTS LISTED IN THIS CATALOG ARE NOT NECESSARILY MANUFACTURED BY THE ORIGINAL EQUIPMENT MANUFACTURER AND ANY REFERENCE TO THE TRADEMARKS OR PART NUMBERS OF OTHERS ARE FOR CROSS REFERENCE INFORMATIONAL PURPOSES ONLY. THE TRADEMARKS OF OTHERS REFERRED TO HEREIN ARE OWNED BY THEIR RESPECTIVE COMPANIES AND ARE NOT AFFILIATED IN ANY WAY WITH MIDWEST TRUCK & AUTO PARTS, INC.® MOTIVE GEAR® AND WORLD AMERICAN® ARE THE REGISTERED TRADEMARKS OF MIDWEST TRUCK & AUTO PARTS, INC.® USE OF THE ® IN CONNECTION WITH A MARK OF MIDWEST TRUCK & AUTO PARTS, INC.® INDICATES THAT THE MARK IS REGISTERED IN AT LEAST THE UNITED STATES. NO REPRESENTATION IS MADE WITH RESPECT TO THE SOURCE OF MANUFACTURE OF ANY PARTICULAR PART. © 2005, MIDWEST TRUCK & AUTO PARTS, INC.® ALL RIGHTS RESERVED.

FULLER®

15 SPEED (Cont'd)

FIG.	PART#	DESCRIPTION	RT-11615	RTO-11615	RTX-11615	RT-14615	RTO-14615	RTX-14615	RT-15615	RTO-15615	RTX-15615
50	X-6-E	KEY	X	X	X	X	X	X	X	X	X
51	K-1925	COUNTERSHAFT KIT	X	X	X	X	X	X			
52	19258	KEY	X	X	X	X	X	X			
53	MU1308TV	BEARING	X	X	X	X	X	X	X	X	X
54	14317	SNAP RING	X	X	X	X	X	X	X	X	X
55	X-1-1008	NUT	X	X	X	X	X	X	X	X	X
56	14283	WASHER	X	X	X	X	X	X	X	X	X
57	14282	WASHER - (OLD)	X	X	X	X	X	X	X	X	X
57	4302982	WASHER - (NEW)	X	X	X	X	X	X	X	X	X
58	FWA1830	BEARING	X	X	X	X	X	X	X	X	X
59	16953	REVERSE GEAR 29T	X	X	X	X	X	X	X	X	X
60	19288	WASHER	X	X	X	X	X	X	X	X	X
61	16405	REVERSE GEAR PIN	X	X	X	X	X	X	X	X	X
62	5202	PLUG	X	X	X	X	X	X	X	X	X
63	16763	SNAP RING	X	X	X	X	X	X	X	X	X
64	16628	SNAP RING	X	X	X	X	X	X	X	X	X
65	118L	BEARING	X	X	X	X	X	X	X	X	X
66	16138	RETAINER RING	X	X	X	X	X	X	X	X	X
67	17453	RETAINER RING	X	X	X	X	X	X	X	X	X
68	K-1787	AUX. DRIVE GEAR KIT 40T	X	X	X	X	X	X	X	X	X
69	14897	SPRING	X	X	X	X	X	X	X	X	X
70	A-4938	SYNCHRONIZER RING	X	X	X	X	X	X	X	X	X
71	16759	SLIDING CLUTCH - (OLD)	X	X	X	X	X	X	X	X	X
71	20323	SLIDING CLUTCH - (NEW)	X	X	X	X	X	X	X	X	X
72	A-4416	SYNCHRONIZER RING - (OLD)	X	X	X	X	X	X	X	X	X
72	A-4937	SYNCHRONIZER RING - (NEW)	X	X	X	X	X	X	X	X	X
73	16775	SHIFT YOKE	X	X	X	X	X	X	X	X	X
73	22823	SHIFT YOKE	X	X	X	X	X	X	X	X	X
74	14347	GASKET	X	X	X	X	X	X	X	X	X
75	16777	AUXILIARY CYLINDER	X	X	X	X	X	X	X	X	X
76	14765	O-RING	X	X	X	X	X	X	X	X	X
77	16776	YOKE BAR	X	X	X						
77	19306	YOKE BAR				X	X	X	X	X	X
78	14341	PISTON	X	X	X	X	X	X	X	X	X
79	14345	O-RING	X	X	X	X	X	X	X	X	X
80	14344	O-RING	X	X	X	X	X	X	X	X	X
81	X-1-1010	NUT	X	X	X	X	X	X	X	X	X
82	14349	GASKET	X	X	X	X	X	X	X	X	X
83	19690	CYLINDER COVER	X	X	X	X	X	X	X	X	X
84	A-3697	KEY & PIN ASSY	X	X	X	X	X	X	X	X	X

PARTS LISTED IN THIS CATALOG ARE NOT NECESSARILY MANUFACTURED BY THE ORIGINAL EQUIPMENT MANUFACTURER AND ANY REFERENCE TO THE TRADEMARKS OR PART NUMBERS OF OTHERS ARE FOR CROSS REFERENCE INFORMATIONAL PURPOSES ONLY. THE TRADEMARKS OF OTHERS REFERRED TO HEREIN ARE OWNED BY THEIR RESPECTIVE COMPANIES AND ARE NOT AFFILIATED IN ANY WAY WITH MIDWEST TRUCK & AUTO PARTS, INC.® MOTIVE GEAR® AND WORLD AMERICAN® ARE THE REGISTERED TRADEMARKS OF MIDWEST TRUCK & AUTO PARTS, INC.® USE OF THE ® IN CONNECTION WITH A MARK OF MIDWEST TRUCK & AUTO PARTS, INC.® INDICATES THAT THE MARK IS REGISTERED IN AT LEAST THE UNITED STATES. NO REPRESENTATION IS MADE WITH RESPECT TO THE SOURCE OF MANUFACTURE OF ANY PARTICULAR PART. © 2005, MIDWEST TRUCK & AUTO PARTS, INC.® ALL RIGHTS RESERVED.

FULLER®

15 SPEED (Cont'd)

FIG.	PART#	DESCRIPTION	RT-11615	RTO-11615	RTX-11615	RT-14615	RTO-14615	RTX-14615	RT-15615	RTO-15615	RTX-15615
85	15932	WASHER S.5, 13-5, 18 MM (BLACK)	X	X	X	X	X	X	X	X	X
85	17257	WASHER S.5, 23-5, 28 MM (PURPLE)	X	X	X	X	X	X	X	X	X
85	17258	WASHER S.5, 33-5, 38 MM (YELLOW)	X	X	X	X	X	X	X	X	X
86	19315	GEAR 42T	X	X	X						
86	19277	GEAR 42T				X	X	X	X	X	X
87	18193	COUPLER M/S	X	X	X	X	X	X	X	X	X
88	14291	SNAP RING	X	X	X	X	X	X	X	X	X
89	204	BEARING	X	X	X	X	X	X	X	X	X
90	K-1546	MAIN SHAFT KIT	X	X	X	X	X	X	X	X	X
91	18135	SNAP RING	X	X	X	X	X	X	X	X	X
92	MR1307EL	BEARING D.80X35X21	X	X	X	X	X	X	X	X	X
93	A-4820	COUNTERSHAFT ASSY	X	X	X						
93	A-4819	COUNTERSHAFT ASSY				X	X	X	X	X	X
94	1310L	BEARING	X	X	X						
94	5310WLB	BEARING				X	X	X	X	X	X
95	16723	SNAP RING	X	X	X						
95	15253	SNAP RING				X	X	X	X	X	X
96	16516	BUSHING	X	X	X	X	X	X	X	X	X
97	15959	SLIDING CLUTCH	X	X	X						
97	17242	SLIDING CLUTCH				X	X	X	X	X	X
98	14632	GASKET	X	X	X	X	X	X	X	X	X
99	16517	SHIFT YOKE	X	X	X						
99	17245	SHIFT YOKE				X	X	X	X	X	X
100	17070	AUXILIARY CYLINDER	X	X	X	X	X	X	X	X	X
100	21210	AUXILIARY CYLINDER	X	X	X	X	X	X	X	X	X
101	14644	O-RING	X	X	X	X	X	X	X	X	X
101	21208	O-RING	X	X	X	X	X	X	X	X	X
102	16962	YOKE BAR	X	X	X						
102	21233	YOKE BAR	X	X	X						
102	19287	YOKE BAR				X	X	X	X	X	X
102	21251	YOKE BAR				X	X	X	X	X	X
103	14621	O-RING	X	X	X	X	X	X	X	X	X
103	21209	O-RING	X	X	X	X	X	X	X	X	X
104	17073	GASKET	X	X	X	X	X	X	X	X	X
105	17072	CYLINDER COVER	X	X	X	X	X	X	X	X	X
106	4300927	CYLINDER COVER	X	X	X	X	X	X	X	X	X
107	K-1644	REPL. QUILL KIT	X	X	X	X	X	X	X	X	X
108	A-4738	OUTPUT SHAFT 18T	X	X	X						
108	A-4736	OUTPUT SHAFT 18T				X	X	X			

PARTS LISTED IN THIS CATALOG ARE NOT NECESSARILY MANUFACTURED BY THE ORIGINAL EQUIPMENT MANUFACTURER AND ANY REFERENCE TO THE TRADEMARKS OR PART NUMBERS OF OTHERS ARE FOR CROSS REFERENCE INFORMATIONAL PURPOSES ONLY. THE TRADEMARKS OF OTHERS REFERRED TO HEREIN ARE OWNED BY THEIR RESPECTIVE COMPANIES AND ARE NOT AFFILIATED IN ANY WAY WITH MIDWEST TRUCK & AUTO PARTS, INC.® MOTIVE GEAR® AND WORLD AMERICAN® ARE THE REGISTERED TRADEMARKS OF MIDWEST TRUCK & AUTO PARTS, INC.® USE OF THE ® IN CONNECTION WITH A MARK OF MIDWEST TRUCK & AUTO PARTS, INC.® INDICATES THAT THE MARK IS REGISTERED IN AT LEAST THE UNITED STATES. NO REPRESENTATION IS MADE WITH RESPECT TO THE SOURCE OF MANUFACTURE OF ANY PARTICULAR PART. © 2005, MIDWEST TRUCK & AUTO PARTS, INC.® ALL RIGHTS RESERVED.

FULLER® 15 SPEED (Cont'd)

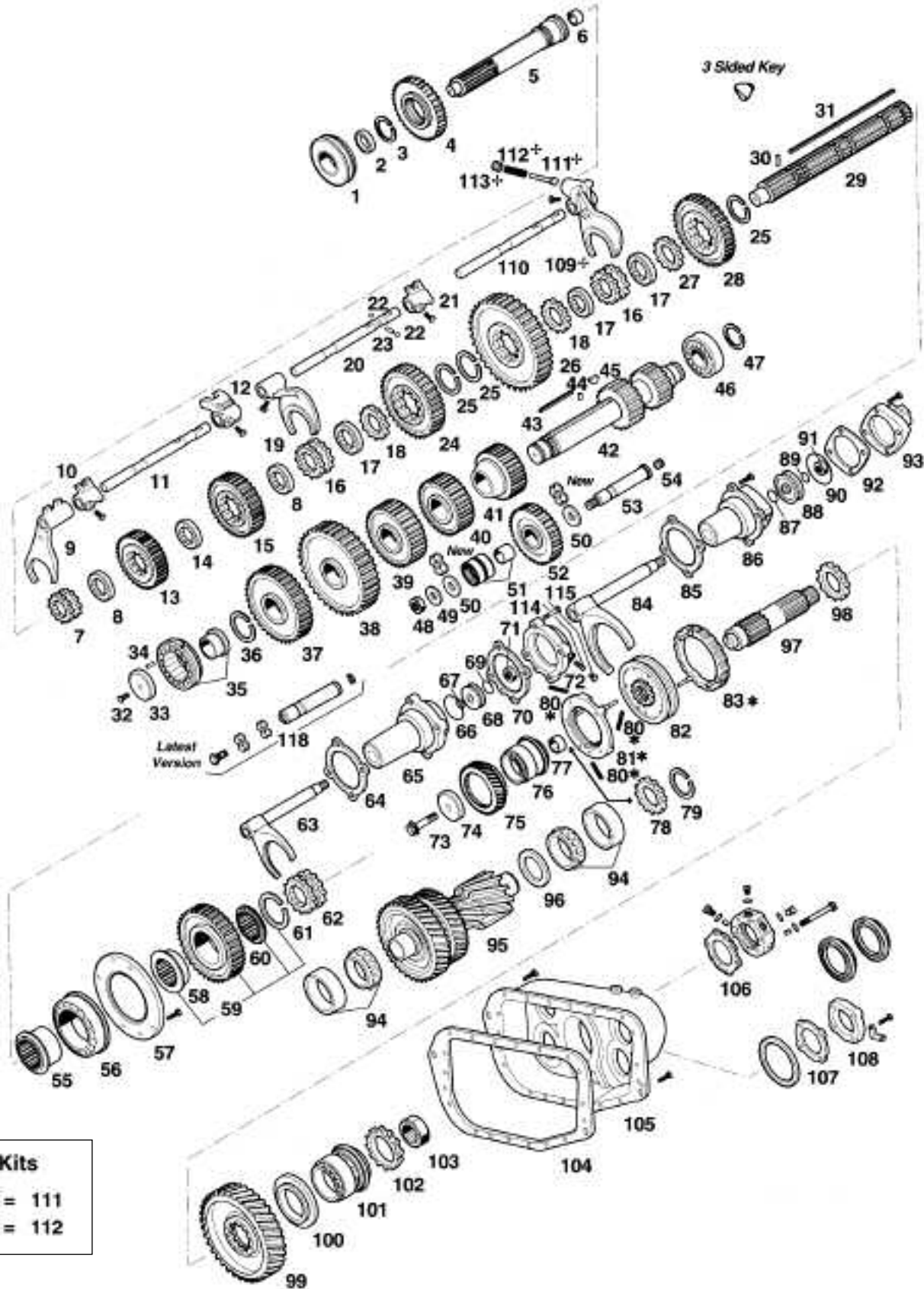
FIG.	PART#	DESCRIPTION	RT-11615	RTO-11615	RTX-11615	RT-14615	RTO-14615	RTX-14615	RT-15615	RTO-15615	RTX-15615
108	A-4973	OUTPUT SHAFT 18T							X	X	X
109	14332	WASHER	X	X	X						
110	18250	SPACER	X	X	X						
110	17248	WASHER				X	X	X	X	X	X
111	20022	GEAR 46T	X	X	X						
111	20024	GEAR 48T				X	X	X	X	X	X
112	19544	WASHER				X	X	X	X	X	X
113	14327	SNAP RING	X	X	X						
113	18114	SNAP RING				X	X	X	X	X	X
114	16310	WASHER S.7, 93 MM	X	X	X						
114	16337	WASHER S.4, 76 MM				X	X	X	X	X	X
115	22254	NUT	X	X	X	X	X	X	X	X	X
116	14335	GASKET	X	X	X	X	X	X	X	X	X
117	K-1567	REAR HOUSING	X	X	X						
117	17250	REAR HOUSING				X	X	X	X	X	X
118	A3071	BEARING	X	X	X						
118	A2892	BEARING				X	X	X	X	X	X
119	15532	GASKET	X	X	X	X	X	X	X	X	X
120	17097	GASKET	X	X	X						
120	17386	GASKET				X	X	X	X	X	X
121	16724	COVER	X	X	X						
121	17252	COVER				X	X	X	X	X	X
122	19974	INSERT VALVE	X	X	X	X	X	X	X	X	X
123	15719	PLUG	X	X	X	X	X	X	X	X	X
124	K-1945	SYNCHRONIZER KIT - (OLD)	X	X	X	X	X	X	X	X	X
124	K-1946	SYNCHRONIZER KIT - (NEW)	X	X	X	X	X	X	X	X	X
125	T20099	SYNCHRO CLUTCH ASSY - (NEW)	X	X	X	X	X	X	X	X	X
126	K-1947	SYNCHRO KIT W/SLIDING CLUTCH (OLD)	X	X	X	X	X	X	X	X	X
126	K-1948	SYNCHRO KIT W/SLIDING CLUTCH (NEW)	X	X	X	X	X	X	X	X	X
127	S-1219	YOKE ASSY	X	X	X	X	X	X	X	X	X
128	K-3209	IDLER SHAFT REPL. KIT	X	X	X	X	X	X	X	X	X

CALL YOUR SALES REP FOR BEARING & SEAL KITS

PARTS LISTED IN THIS CATALOG ARE NOT NECESSARILY MANUFACTURED BY THE ORIGINAL EQUIPMENT MANUFACTURER AND ANY REFERENCE TO THE TRADEMARKS OR PART NUMBERS OF OTHERS ARE FOR CROSS REFERENCE INFORMATIONAL PURPOSES ONLY. THE TRADEMARKS OF OTHERS REFERRED TO HEREIN ARE OWNED BY THEIR RESPECTIVE COMPANIES AND ARE NOT AFFILIATED IN ANY WAY WITH MIDWEST TRUCK & AUTO PARTS, INC.® MOTIVE GEAR® AND WORLD AMERICAN® ARE THE REGISTERED TRADEMARKS OF MIDWEST TRUCK & AUTO PARTS, INC.® USE OF THE ® IN CONNECTION WITH A MARK OF MIDWEST TRUCK & AUTO PARTS, INC.® INDICATES THAT THE MARK IS REGISTERED IN AT LEAST THE UNITED STATES. NO REPRESENTATION IS MADE WITH RESPECT TO THE SOURCE OF MANUFACTURE OF ANY PARTICULAR PART. © 2005, MIDWEST TRUCK & AUTO PARTS, INC.® ALL RIGHTS RESERVED.

FULLER® 18 SPEED

MODEL RTLO-14718, RTLO-16718, RTLO-18718



PARTS LISTED IN THIS CATALOG ARE NOT NECESSARILY MANUFACTURED BY THE ORIGINAL EQUIPMENT MANUFACTURER AND ANY REFERENCE TO THE TRADEMARKS OR PART NUMBERS OF OTHERS ARE FOR CROSS REFERENCE INFORMATIONAL PURPOSES ONLY. THE TRADEMARKS OF OTHERS REFERRED TO HEREIN ARE OWNED BY THEIR RESPECTIVE COMPANIES AND ARE NOT AFFILIATED IN ANY WAY WITH MIDWEST TRUCK & AUTO PARTS, INC.® MOTIVE GEAR® AND WORLD AMERICAN® ARE THE REGISTERED TRADEMARKS OF MIDWEST TRUCK & AUTO PARTS, INC.® USE OF THE ® IN CONNECTION WITH A MARK OF MIDWEST TRUCK & AUTO PARTS, INC.® INDICATES THAT THE MARK IS REGISTERED IN AT LEAST THE UNITED STATES. NO REPRESENTATION IS MADE WITH RESPECT TO THE SOURCE OF MANUFACTURE OF ANY PARTICULAR PART. © 2005, MIDWEST TRUCK & AUTO PARTS, INC.® ALL RIGHTS RESERVED.

FULLER® 18 SPEED

FIG.	PART#	DESCRIPTION	RTLO-14718	RTLO-16718	RTLO-18718
1	212SLV	BEARING	X	X	X
2	16463	SPACER	X	X	X
3	14750	SNAP RING	X	X	X
4	4300238	GEAR MAIN DRIVE 52T	X	X	
4	4302662	GEAR MAIN DRIVE			X
5	INPUT SHAFTS (SEE PG. 331)				
6	16566	BUSHING	X	X	X
7	22026	SLIDING CLUTCH	X	X	X
8	4302398	WASHER	X	X	X
9	20450	SHIFT YOKE	X	X	X
10	20120	SHIFTING BLOCK	X	X	X
11	18928	YOKE BAR	X	X	
11	4302760	YOKE BAR			X
12	19063	SHIFTING BLOCK	X	X	X
13	4302393	GEAR 42T	X	X	
13	4302664	GEAR			X
14	4303603	WASHER	X	X	X
15	4302395	GEAR M/S 50T	X		
15	4302394	GEAR M/S 50T		X	
15	4302670	GEAR			X
16	16118	SLIDING CLUTCH	X	X	X
17	4300830	WASHER (BLUE)	X	X	X
17	4300382	WASHER (WHITE)	X	X	X
17	4300383	WASHER (GREEN)	X	X	X
17	4300384	WASHER (ORANGE)	X	X	X
17	4300385	WASHER (PURPLE)	X	X	X
17	4300386	WASHER (YELLOW)	X	X	X
17	4300387	WASHER (BLACK)	X	X	X
18	14749	SPACER	X	X	X
19	18922	SHIFT YOKE	X	X	X
20	18927	YOKE BAR	X	X	X
21	14658	SHIFTING BLOCK	X	X	X
22	X-14-1200	BALL	X	X	X
23	1634	PIN	X	X	X
24	21024	GEAR M/S 1ST SPEED 60T	X		

PARTS LISTED IN THIS CATALOG ARE NOT NECESSARILY MANUFACTURED BY THE ORIGINAL EQUIPMENT MANUFACTURER AND ANY REFERENCE TO THE TRADEMARKS OR PART NUMBERS OF OTHERS ARE FOR CROSS REFERENCE INFORMATIONAL PURPOSES ONLY. THE TRADEMARKS OF OTHERS REFERRED TO HEREIN ARE OWNED BY THEIR RESPECTIVE COMPANIES AND ARE NOT AFFILIATED IN ANY WAY WITH MIDWEST TRUCK & AUTO PARTS, INC.® MOTIVE GEAR® AND WORLD AMERICAN® ARE THE REGISTERED TRADEMARKS OF MIDWEST TRUCK & AUTO PARTS, INC.® USE OF THE ® IN CONNECTION WITH A MARK OF MIDWEST TRUCK & AUTO PARTS, INC.® INDICATES THAT THE MARK IS REGISTERED IN AT LEAST THE UNITED STATES. NO REPRESENTATION IS MADE WITH RESPECT TO THE SOURCE OF MANUFACTURE OF ANY PARTICULAR PART. © 2005, MIDWEST TRUCK & AUTO PARTS, INC.® ALL RIGHTS RESERVED.

FULLER®

18 SPEED (Cont'd)

FIG.	PART#	DESCRIPTION	RTLO-14718	RTLO-16718	RTLO-18718
24	4300240	GEAR M/S 60T		X	X
25	14750	SNAP RING	X	X	X
26	16754	GEAR M/S LOW 44T	X		
26	21502	GEAR M/S 44T		X	X
27	4302047	SPACER	X	X	X
28	16756	REVERSE GEAR M/S 46T	X	X	X
29	S-2562	MAIN SHAFT 17T	X	X	
30	S-2560	MAIN SHAFT			X
31	62504	PIN 3X16	X	X	X
32	4300120	KEY	X	X	X
33	X-7-1005	BOLT - 5/8"	X	X	X
34	19548	LOCKING DISK	X	X	X
35	62511	PIN	X	X	X
35	MS1309GEXR	BEARING	X	X	
36	BS500192S	BEARING			X
37	19198	SNAP RING	X	X	X
37	21018	GEAR C/S 66T	X	X	
38	4302666	GEAR			X
38	15953	GEAR C/S PTO 47T - LH PTO (LEFT)	X	X	X
39	20840	GEAR C/S PTO 45T - RH PTO (RIGHT)	X	X	X
39	4300191	GEAR C/S 73T	X	X	
40	4302668	GEAR C/S			X
40	21264	GEAR C/S 46T	X	X	
41	4300247	GEAR C/S			X
41	21025	GEAR C/S 1ST 39T	X		
42	4300241	GEAR C/S 39T		X	X
42	19549	COUNTERSHAFT 17T	X		
42	K-2953	COUNTERSHAFT KIT W/KEYS	X		
42	K-2937	COUNTERSHAFT KIT		X	
43	K-2947	COUNTERSHAFT KIT			X
44	19673	KEY	X	X	X
45	62511	PIN	X	X	X
46	X-6-E	KEY	X	X	X
46	MU1308TV	BEARING	X	X	

PARTS LISTED IN THIS CATALOG ARE NOT NECESSARILY MANUFACTURED BY THE ORIGINAL EQUIPMENT MANUFACTURER AND ANY REFERENCE TO THE TRADEMARKS OR PART NUMBERS OF OTHERS ARE FOR CROSS REFERENCE INFORMATIONAL PURPOSES ONLY. THE TRADEMARKS OF OTHERS REFERRED TO HEREIN ARE OWNED BY THEIR RESPECTIVE COMPANIES AND ARE NOT AFFILIATED IN ANY WAY WITH MIDWEST TRUCK & AUTO PARTS, INC.® MOTIVE GEAR® AND WORLD AMERICAN® ARE THE REGISTERED TRADEMARKS OF MIDWEST TRUCK & AUTO PARTS, INC.® USE OF THE ® IN CONNECTION WITH A MARK OF MIDWEST TRUCK & AUTO PARTS, INC.® INDICATES THAT THE MARK IS REGISTERED IN AT LEAST THE UNITED STATES. NO REPRESENTATION IS MADE WITH RESPECT TO THE SOURCE OF MANUFACTURE OF ANY PARTICULAR PART. © 2005, MIDWEST TRUCK & AUTO PARTS, INC.® ALL RIGHTS RESERVED.

FULLER®

18 SPEED (Cont'd)

FIG.	PART#	DESCRIPTION	RTLO-14718	RTLO-16718	RTLO-18718
46	4302712	BEARING		X	
47	14317	SNAP RING	X	X	
47	4302082	SNAP RING			X
48	X-1-1008	NUT	X	X	X
49	14283	WASHER	X	X	X
50	14282	WASHER - (OLD)	X	X	X
50	4302982	WASHER - (NEW)	X	X	X
51	FWA1830	BEARING	X	X	X
52	16757	REVERSE GEAR 27T	X	X	X
53	16405	REVERSE GEAR PIN	X	X	X
54	5202	PLUG	X	X	X
55	4302046	SPACER	X	X	X
56	5566503	BEARING	X	X	X
57	4300894	RETAINER RING	X	X	X
58	4300911	SPACER	X	X	X
59	K-2807	GEAR AUX. DRIVE	X		
59	4300901	WASHER	X	X	X
61	4301254	SNAP RING	X	X	X
62	4300907	SLIDING CLUTCH	X	X	X
63	A-6303	WELDED YOKE ASSY	X	X	X
64	14632	GASKET	X	X	X
65	21609	CYLINDER	X	X	X
66	21208	O-RING	X	X	X
67	13653	O-RING	X	X	X
68	4301964	PISTON	X	X	X
69	21209	O-RING	X	X	X
70	17073	GASKET	X	X	X
71	X-1-805	NUT	X	X	X
72	4300927	CYLINDER COVER	X	X	X
73	X-7-1007	BOLT	X	X	X
74	4301843	RETAINER	X	X	X
75	K-3122	GEAR	X	X	
75	4302659	GEAR			X
76	4300902	BEARING	X	X	X

PARTS LISTED IN THIS CATALOG ARE NOT NECESSARILY MANUFACTURED BY THE ORIGINAL EQUIPMENT MANUFACTURER AND ANY REFERENCE TO THE TRADEMARKS OR PART NUMBERS OF OTHERS ARE FOR CROSS REFERENCE INFORMATIONAL PURPOSES ONLY. THE TRADEMARKS OF OTHERS REFERRED TO HEREIN ARE OWNED BY THEIR RESPECTIVE COMPANIES AND ARE NOT AFFILIATED IN ANY WAY WITH MIDWEST TRUCK & AUTO PARTS, INC.® MOTIVE GEAR® AND WORLD AMERICAN® ARE THE REGISTERED TRADEMARKS OF MIDWEST TRUCK & AUTO PARTS, INC.® USE OF THE ® IN CONNECTION WITH A MARK OF MIDWEST TRUCK & AUTO PARTS, INC.® INDICATES THAT THE MARK IS REGISTERED IN AT LEAST THE UNITED STATES. NO REPRESENTATION IS MADE WITH RESPECT TO THE SOURCE OF MANUFACTURE OF ANY PARTICULAR PART. © 2005, MIDWEST TRUCK & AUTO PARTS, INC.® ALL RIGHTS RESERVED.

FULLER®

18 SPEED (Cont'd)

FIG.	PART#	DESCRIPTION	RTLO-14718	RTLO-16718	RTLO-18718
77	4301844	BEARING SLEEVE	X	X	X
78	4301846	SPACER	X	X	X
79	4301845	SNAP RING	X	X	X
80	14897	SPRING	X	X	X
81	A-4938	SYNCHRONIZER RING	X	X	X
82	4303386	SLIDING CLUTCH	X	X	X
83	A-4937	SYNCHRONIZER RING	X	X	X
84	A-6224	WELDED YOKE ASSY	X	X	X
85	14347	GASKET	X	X	X
86	4301847	CYLINDER	X	X	X
87	14765	O-RING	X	X	X
88	14341	PISTON	X	X	X
89	14345	O-RING	X	X	X
90	14344	O-RING	X	X	X
91	X-1-1010	NUT	X	X	X
92	14349	GASKET	X	X	X
93	19690	CYLINDER COVER	X	X	X
94	4301851	BEARING	X	X	X
95	K-3221	AUX. COUNTERSHAFT ASSY	X		
95	K-3220	AUX. COUNTERSHAFT ASSY		X	X
96	4300897	WASHER	X	X	X
97	4300904	MAIN SHAFT	X	X	X
98	4301842	WASHER	X	X	X
99	4301794	GEAR M/S	X		
99	4301795	GEAR M/S 52T		X	X
100	4300912	SPACER	X	X	X
101	21356	BEARING	X	X	X
102	20191	SPACER	X	X	X
103	22254	NUT	X	X	X
104	14335	GASKET	X	X	X
105	4300915	REAR COVER	X	X	X
106	21364	GASKET	X	X	X
107	4300186	GASKET	X	X	X
108	4300925	COVER	X	X	X
109	16131	REVERSE YOKE	X	X	X

PARTS LISTED IN THIS CATALOG ARE NOT NECESSARILY MANUFACTURED BY THE ORIGINAL EQUIPMENT MANUFACTURER AND ANY REFERENCE TO THE TRADEMARKS OR PART NUMBERS OF OTHERS ARE FOR CROSS REFERENCE INFORMATIONAL PURPOSES ONLY. THE TRADEMARKS OF OTHERS REFERRED TO HEREIN ARE OWNED BY THEIR RESPECTIVE COMPANIES AND ARE NOT AFFILIATED IN ANY WAY WITH MIDWEST TRUCK & AUTO PARTS, INC.® MOTIVE GEAR® AND WORLD AMERICAN® ARE THE REGISTERED TRADEMARKS OF MIDWEST TRUCK & AUTO PARTS, INC.® USE OF THE ® IN CONNECTION WITH A MARK OF MIDWEST TRUCK & AUTO PARTS, INC.® INDICATES THAT THE MARK IS REGISTERED IN AT LEAST THE UNITED STATES. NO REPRESENTATION IS MADE WITH RESPECT TO THE SOURCE OF MANUFACTURE OF ANY PARTICULAR PART. © 2005, MIDWEST TRUCK & AUTO PARTS, INC.® ALL RIGHTS RESERVED.

FULLER®
18 SPEED (Cont'd)

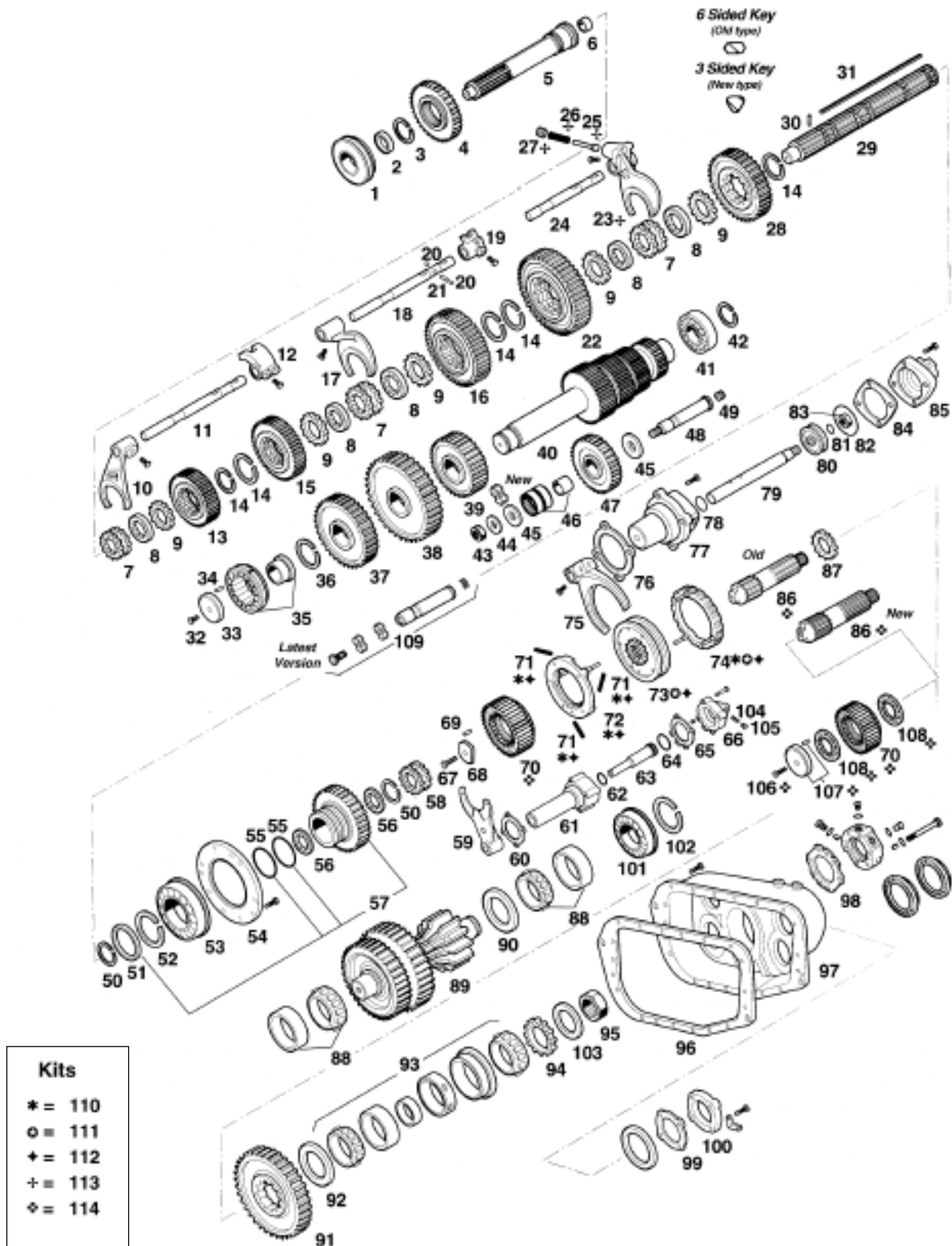
FIG.	PART#	DESCRIPTION	RTLO-14718	RTLO-16718	RTLO-18718
110	18926	YOKE BAR	×	×	×
111	10019	PIN	×	×	×
112	6392	SPRING	×	×	×
113	8968	PLUG	×	×	×
114	19974	INSERT VALVE	×	×	×
115	15719	PLUG	×	×	×
116	K-1946	SYNCHRONIZER KIT	×	×	×
117	S-1219	YOKE ASSY	×	×	×
118	K-1947	SYNCHRO KIT W/SLIDING CLUTCH (OLD)	×	×	×
118	K-1948	SYNCHRO KIT W/SLIDING CLUTCH (NEW)	×	×	×

CALL YOUR SALES REP FOR BEARING & SEAL KITS

PARTS LISTED IN THIS CATALOG ARE NOT NECESSARILY MANUFACTURED BY THE ORIGINAL EQUIPMENT MANUFACTURER AND ANY REFERENCE TO THE TRADEMARKS OR PART NUMBERS OF OTHERS ARE FOR CROSS REFERENCE INFORMATIONAL PURPOSES ONLY. THE TRADEMARKS OF OTHERS REFERRED TO HEREIN ARE OWNED BY THEIR RESPECTIVE COMPANIES AND ARE NOT AFFILIATED IN ANY WAY WITH MIDWEST TRUCK & AUTO PARTS, INC.® MOTIVE GEAR® AND WORLD AMERICAN® ARE THE REGISTERED TRADEMARKS OF MIDWEST TRUCK & AUTO PARTS, INC.® USE OF THE ® IN CONNECTION WITH A MARK OF MIDWEST TRUCK & AUTO PARTS, INC.® INDICATES THAT THE MARK IS REGISTERED IN AT LEAST THE UNITED STATES. NO REPRESENTATION IS MADE WITH RESPECT TO THE SOURCE OF MANUFACTURE OF ANY PARTICULAR PART. © 2005, MIDWEST TRUCK & AUTO PARTS, INC.® ALL RIGHTS RESERVED.

FULLER® 18 SPEED

MODEL RTO-15618, RTLO "A" 14618, RTLO "A" 16618



PARTS LISTED IN THIS CATALOG ARE NOT NECESSARILY MANUFACTURED BY THE ORIGINAL EQUIPMENT MANUFACTURER AND ANY REFERENCE TO THE TRADEMARKS OR PART NUMBERS OF OTHERS ARE FOR CROSS REFERENCE INFORMATIONAL PURPOSES ONLY. THE TRADEMARKS OF OTHERS REFERRED TO HEREIN ARE OWNED BY THEIR RESPECTIVE COMPANIES AND ARE NOT AFFILIATED IN ANY WAY WITH MIDWEST TRUCK & AUTO PARTS, INC.® MOTIVE GEAR® AND WORLD AMERICAN® ARE THE REGISTERED TRADEMARKS OF MIDWEST TRUCK & AUTO PARTS, INC.® USE OF THE ® IN CONNECTION WITH A MARK OF MIDWEST TRUCK & AUTO PARTS, INC.® INDICATES THAT THE MARK IS REGISTERED IN AT LEAST THE UNITED STATES. NO REPRESENTATION IS MADE WITH RESPECT TO THE SOURCE OF MANUFACTURE OF ANY PARTICULAR PART. © 2005, MIDWEST TRUCK & AUTO PARTS, INC.® ALL RIGHTS RESERVED.

FULLER® 18 SPEED

FIG.	PART#	DESCRIPTION	RTLORTLO- RTLO- 15618	RTLO- RTLO "A" 14618	RTLO- RTLO "A" 16618
1	212SLV	BEARING	X	X	X
2	16463	SPACER	X	X	X
3	14750	SNAP RING	X	X	X
4	20458	GEAR MAIN DRIVE 48T	X	X	X
5	INPUT SHAFTS (SEE PG. 331)				
6	16566	BUSHING	X	X	X
7	16118	SLIDING CLUTCH	X	X	X
8	14711	WASHER S.6, 229-6, 350 MM (WHITE-OLD)	X	X	X
8	14712	WASHER S.6, 426-6, 477 MM (GREEN-OLD)	X	X	X
8	14713	WASHER S.6, 553-6, 604 MM (ORANGE-OLD)	X	X	X
8	14714	WASHER S.6, 680-6, 731 MM (PURPLE-OLD)	X	X	X
8	14715	WASHER S.6, 807-6, 858 MM (YELLOW-OLD)	X	X	X
8	14716	WASHER S.6, 934-6, 985 MM (BLACK-OLD)	X	X	X
8	4300830	WASHER (BLUE-EW)	X	X	X
8	4300382	WASHER (WHITE-NEW)	X	X	X
8	4300383	WASHER (GREEN-NEW)	X	X	X
8	4300384	WASHER (ORANGE-NEW)	X	X	X
8	4300385	WASHER (PURPLE-NEW)	X	X	X
8	4300386	WASHER (YELLOW-NEW)	X	X	X
8	4300387	WASHER (BLACK-NEW)	X	X	X
9	14749	SPACER	X	X	X
10	16136	SHIFT YOKE	X	X	X
11	16134	YOKE BAR	X	X	X
12	14659	SHIFTING BLOCK	X	X	X
13	21587	GEAR M/S 58T	X	X	X
14	14750	SNAP RING	X	X	X
15	21589	GEAR M/S 24T	X	X	X
16	21591	GEAR M/S 60T	X	X	X
17	16135	SHIFT YOKE 2ND	X	X	X
18	16133	YOKE BAR	X	X	X
19	14658	SHIFTING BLOCK	X	X	X

PARTS LISTED IN THIS CATALOG ARE NOT NECESSARILY MANUFACTURED BY THE ORIGINAL EQUIPMENT MANUFACTURER AND ANY REFERENCE TO THE TRADEMARKS OR PART NUMBERS OF OTHERS ARE FOR CROSS REFERENCE INFORMATIONAL PURPOSES ONLY. THE TRADEMARKS OF OTHERS REFERRED TO HEREIN ARE OWNED BY THEIR RESPECTIVE COMPANIES AND ARE NOT AFFILIATED IN ANY WAY WITH MIDWEST TRUCK & AUTO PARTS, INC.® MOTIVE GEAR® AND WORLD AMERICAN® ARE THE REGISTERED TRADEMARKS OF MIDWEST TRUCK & AUTO PARTS, INC.® USE OF THE ® IN CONNECTION WITH A MARK OF MIDWEST TRUCK & AUTO PARTS, INC.® INDICATES THAT THE MARK IS REGISTERED IN AT LEAST THE UNITED STATES. NO REPRESENTATION IS MADE WITH RESPECT TO THE SOURCE OF MANUFACTURE OF ANY PARTICULAR PART. © 2005, MIDWEST TRUCK & AUTO PARTS, INC.® ALL RIGHTS RESERVED.

FULLER®

18 SPEED (Cont'd)

FIG.	PART#	DESCRIPTION	RTLORTLO- RTLO- 15618	RTLO- RTLO "A" 14618	RTLO- RTLO "A" 16618
20	X-14-1200	BALL	X	X	X
21	1634	PIN	X	X	X
22	4300654	GEAR M/S 46T	X	X	X
23	16131	REVERSE YOKE	X	X	X
24	16132	YOKE BAR	X	X	X
25	10019	PIN	X	X	X
26	6392	SPRING	X	X	X
27	8968	PLUG	X	X	X
28	16756	REVERSE GEAR M/S 46T	X	X	X
29	S-1561	MAIN SHAFT ASSY 17T	X	X	X
30	62504	PIN 3 X 16	X	X	X
31	21595	KEY - (OLD)	X		
31	21326	KEY - (OLD)		X	X
31	4300890	KEY - (NEW)	X	X	X
32	X-7-1005	BOLT (5/8")	X	X	X
33	19548	LOCKING DISK	X	X	X
34	62511	PIN	X	X	X
35	MS1309GEXR	BEARING	X	X	X
36	19198	SNAP RING	X	X	X
37	21586	GEAR C/S 69T	X	X	X
38	15953	GEAR C/S PTO 47T - LH PTO (LEFT)	X	X	X
38	20840	GEAR C/S PTO 45T - RH PTO (RIGHT)	X	X	X
39	21588	GEAR C/S 60T	X	X	X
40	A-6689	COUNTERSHAFT ASSY	X	X	X
41	MU1308TV	BEARING	X	X	X
42	14317	SNAP RING	X	X	X
43	X-1-1008	NUT	X	X	X
44	14283	WASHER	X	X	X
45	14282	WASHER	X	X	X
45	4302982	WASHER	X	X	X
46	FWA1830	BEARING	X	X	X

PARTS LISTED IN THIS CATALOG ARE NOT NECESSARILY MANUFACTURED BY THE ORIGINAL EQUIPMENT MANUFACTURER AND ANY REFERENCE TO THE TRADEMARKS OR PART NUMBERS OF OTHERS ARE FOR CROSS REFERENCE INFORMATIONAL PURPOSES ONLY. THE TRADEMARKS OF OTHERS REFERRED TO HEREIN ARE OWNED BY THEIR RESPECTIVE COMPANIES AND ARE NOT AFFILIATED IN ANY WAY WITH MIDWEST TRUCK & AUTO PARTS, INC.® MOTIVE GEAR® AND WORLD AMERICAN® ARE THE REGISTERED TRADEMARKS OF MIDWEST TRUCK & AUTO PARTS, INC.® USE OF THE ® IN CONNECTION WITH A MARK OF MIDWEST TRUCK & AUTO PARTS, INC.® INDICATES THAT THE MARK IS REGISTERED IN AT LEAST THE UNITED STATES. NO REPRESENTATION IS MADE WITH RESPECT TO THE SOURCE OF MANUFACTURE OF ANY PARTICULAR PART. © 2005, MIDWEST TRUCK & AUTO PARTS, INC.® ALL RIGHTS RESERVED.

FULLER®

18 SPEED (Cont'd)

FIG.	PART#	DESCRIPTION	RTLORTLO- RTLO- 15618	RTLO- RTLO "A" 14618	RTLO- RTLO "A" 16618
47	16757	REVERSE GEAR 27T	X	X	X
48	16405	REVERSE GEAR PIN	X	X	X
49	5202	PLUG	X	X	X
50	16763	SNAP RING	X	X	X
51	21320	SNAP RING RETAINER	X	X	X
52	16628	SNAP RING	X	X	X
53	118L	BEARING	X	X	X
54	16138	RETAINER RING	X	X	X
55	17453	RETAINER RING	X	X	X
56	21599	WASHER	X	X	X
57	K-3189	AUX. GEAR KIT	X	X	X
58	21930	SLIDING CLUTCH 29T	X	X	X
59	21607	SHIFT YOKE	X	X	X
60	14632	GASKET	X	X	X
61	21609	CYLINDER	X	X	X
62	21208	O-RING	X	X	X
63	21608	YOKE BAR	X	X	X
63	4300182	YOKE BAR	X		
64	21209	O-RING		X	X
65	17073	GASKET	X	X	X
66	21760	CYLINDER COVER	X	X	X
67	X-7-1005	BOLT 5/8"	X	X	X
68	21606	RETAINER	X	X	X
69	62511	PIN	X	X	X
70	21931	GEAR M/S 38T	X	X	X
71	14897	SPRING	X	X	X
72	A-4938	SYNCHRONIZER RING	X	X	X
73	20323	SLIDING CLUTCH	X	X	X
74	A-4937	SYNCHRONIZER RING	X	X	X
75	16775	SHIFT YOKE	X	X	X
75	22823	SHIFT YOKE (LATEST)	X	X	X

PARTS LISTED IN THIS CATALOG ARE NOT NECESSARILY MANUFACTURED BY THE ORIGINAL EQUIPMENT MANUFACTURER AND ANY REFERENCE TO THE TRADEMARKS OR PART NUMBERS OF OTHERS ARE FOR CROSS REFERENCE INFORMATIONAL PURPOSES ONLY. THE TRADEMARKS OF OTHERS REFERRED TO HEREIN ARE OWNED BY THEIR RESPECTIVE COMPANIES AND ARE NOT AFFILIATED IN ANY WAY WITH MIDWEST TRUCK & AUTO PARTS, INC.® MOTIVE GEAR® AND WORLD AMERICAN® ARE THE REGISTERED TRADEMARKS OF MIDWEST TRUCK & AUTO PARTS, INC.® USE OF THE ® IN CONNECTION WITH A MARK OF MIDWEST TRUCK & AUTO PARTS, INC.® INDICATES THAT THE MARK IS REGISTERED IN AT LEAST THE UNITED STATES. NO REPRESENTATION IS MADE WITH RESPECT TO THE SOURCE OF MANUFACTURE OF ANY PARTICULAR PART. © 2005, MIDWEST TRUCK & AUTO PARTS, INC.® ALL RIGHTS RESERVED.

FULLER®

18 SPEED (Cont'd)

FIG.	PART#	DESCRIPTION	RTLORTLO- RTLO-	RTLO- RTLO "A"	RTLO- RTLO "A"
76	14347	GASKET	X	X	X
77	16778	CYLINDER	X	X	X
78	14765	O-RING	X	X	X
79	19652	YOKE BAR	X		
79	4300183	YOKE BAR		X	X
80	14341	PISTON	X	X	X
81	14345	O-RING	X	X	X
82	14344	O-RING	X	X	X
83	X-1-1010	NUT	X	X	X
84	14349	GASKET	X	X	X
85	19690	CYLINDER COVER	X	X	X
86	21604	MAIN SHAFT - (OLD)	X	X	X
86	4302059	OUTPUT SHAFT	X	X	X
87	19203	SPACER	X	X	X
88	MR1307EX	BEARING	X		
88	ST4276	BEARING		X	X
89	A-5882	AUX. COUNTERSHAFT ASSY	X		
89	A-5899	AUX. COUNTERSHAFT ASSY		X	X
90	4300184	WASHER		X	X
91	21918	GEAR M/S 50T	X	X	X
92	16772	WASHER	X	X	X
93	A2892	BEARING	X	X	X
94	20191	SPACER		X	X
95	22254	NUT	X	X	X
96	14335	GASKET	X	X	X
97	18786	REAR HOUSING	X		
97	4300863	COVER		X	
97	4300181	COVER			X
98	15532	GASKET	X	X	X
99	17097	GASKET	X		
99	4300186	GASKET		X	X
100	16724	COVER	X		

PARTS LISTED IN THIS CATALOG ARE NOT NECESSARILY MANUFACTURED BY THE ORIGINAL EQUIPMENT MANUFACTURER AND ANY REFERENCE TO THE TRADEMARKS OR PART NUMBERS OF OTHERS ARE FOR CROSS REFERENCE INFORMATIONAL PURPOSES ONLY. THE TRADEMARKS OF OTHERS REFERRED TO HEREIN ARE OWNED BY THEIR RESPECTIVE COMPANIES AND ARE NOT AFFILIATED IN ANY WAY WITH MIDWEST TRUCK & AUTO PARTS, INC.® MOTIVE GEAR® AND WORLD AMERICAN® ARE THE REGISTERED TRADEMARKS OF MIDWEST TRUCK & AUTO PARTS, INC.® USE OF THE ® IN CONNECTION WITH A MARK OF MIDWEST TRUCK & AUTO PARTS, INC.® INDICATES THAT THE MARK IS REGISTERED IN AT LEAST THE UNITED STATES. NO REPRESENTATION IS MADE WITH RESPECT TO THE SOURCE OF MANUFACTURE OF ANY PARTICULAR PART. © 2005, MIDWEST TRUCK & AUTO PARTS, INC.® ALL RIGHTS RESERVED.

FULLER®
18 SPEED (Cont'd)

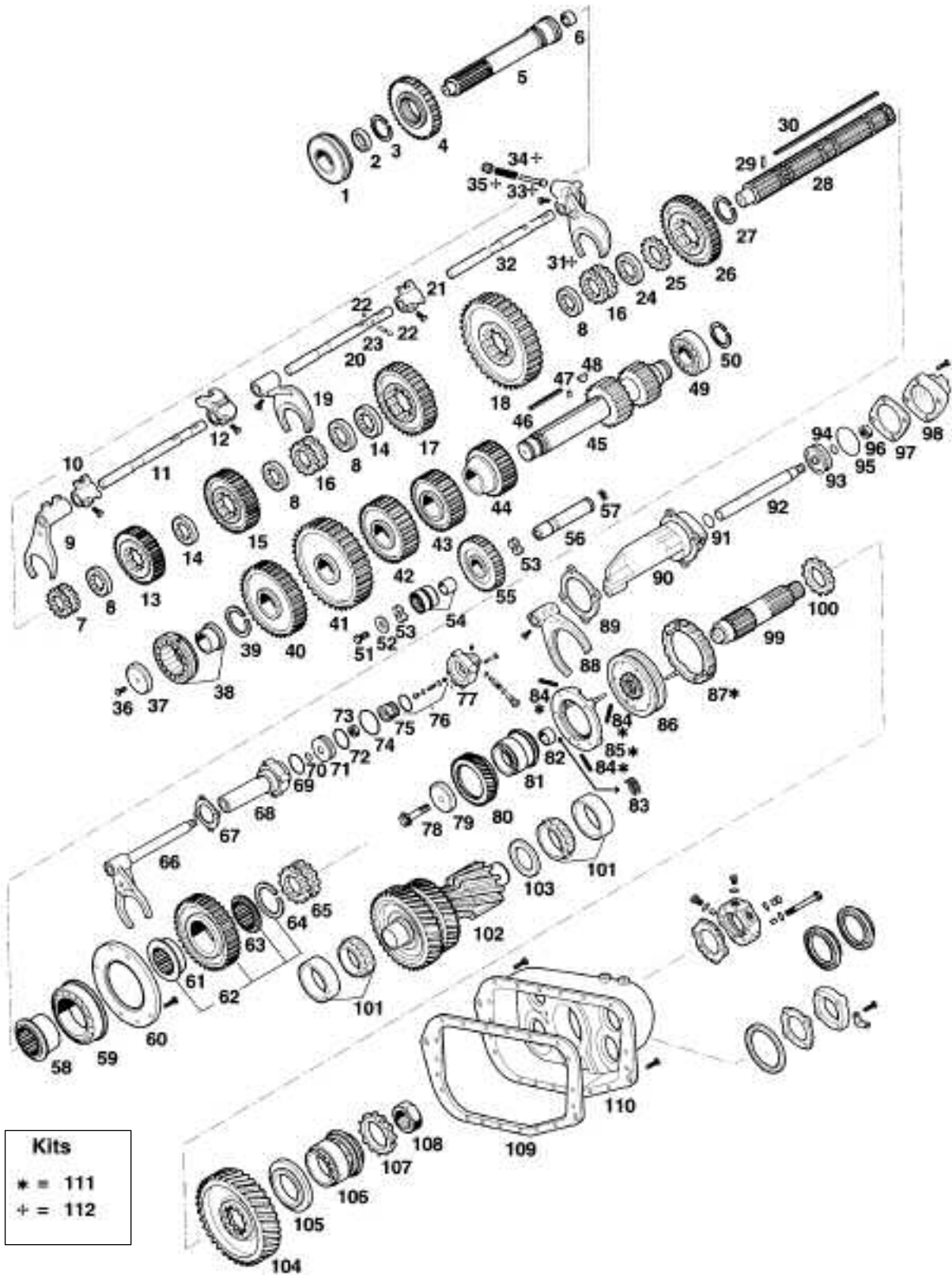
FIG.	PART#	DESCRIPTION	RTLORTLO- RTLO-	RTLO- RTLO "A"	RTLO- RTLO "A"
100	4300185	REAR COVER		×	×
101	1310SVL	BEARING	×		
102	16723	SNAP RING	×		
103	16337	WASHER S.4, 76 MM	×		
104	19974	INSERT VALVE	×	×	×
105	4301233	REDUCER BUSHING	×	×	×
106	X-7-1005	BOLT	×	×	×
107	A-6340	LOCKING DISK	×	×	×
108	4302058	BEARING	×	×	×
109	K-3209	IDLER SHAFT REPL. KIT	×	×	×
110	K-1946	SYNCHRONIZER KIT	×	×	×
111	T20099	SYNCHRO CLUTCH ASSY	×	×	×
112	K-1947	SYNCHRO KIT W/SLIDING CLUTCH (OLD)	×	×	×
112	K-1948	SYNCHRO KIT W/SLIDING CLUTCH (NEW)	×	×	×
113	S-1219	YOKE ASSY	×	×	×
114	K-2616	MAINSHAFT REPL. KIT	×	×	×

CALL YOUR SALES REP FOR BEARING & SEAL KITS

PARTS LISTED IN THIS CATALOG ARE NOT NECESSARILY MANUFACTURED BY THE ORIGINAL EQUIPMENT MANUFACTURER AND ANY REFERENCE TO THE TRADEMARKS OR PART NUMBERS OF OTHERS ARE FOR CROSS REFERENCE INFORMATIONAL PURPOSES ONLY. THE TRADEMARKS OF OTHERS REFERRED TO HEREIN ARE OWNED BY THEIR RESPECTIVE COMPANIES AND ARE NOT AFFILIATED IN ANY WAY WITH MIDWEST TRUCK & AUTO PARTS, INC.® MOTIVE GEAR® AND WORLD AMERICAN® ARE THE REGISTERED TRADEMARKS OF MIDWEST TRUCK & AUTO PARTS, INC.® USE OF THE ® IN CONNECTION WITH A MARK OF MIDWEST TRUCK & AUTO PARTS, INC.® INDICATES THAT THE MARK IS REGISTERED IN AT LEAST THE UNITED STATES. NO REPRESENTATION IS MADE WITH RESPECT TO THE SOURCE OF MANUFACTURE OF ANY PARTICULAR PART. © 2005, MIDWEST TRUCK & AUTO PARTS, INC.® ALL RIGHTS RESERVED.

FULLER® 18 SPEED

MODEL RTLO-14918, RTLO16918, RTLO-18918, RTLO-20918, RTLO-20918-T2



PARTS LISTED IN THIS CATALOG ARE NOT NECESSARILY MANUFACTURED BY THE ORIGINAL EQUIPMENT MANUFACTURER AND ANY REFERENCE TO THE TRADEMARKS OR PART NUMBERS OF OTHERS ARE FOR CROSS REFERENCE INFORMATIONAL PURPOSES ONLY. THE TRADEMARKS OF OTHERS REFERRED TO HEREIN ARE OWNED BY THEIR RESPECTIVE COMPANIES AND ARE NOT AFFILIATED IN ANY WAY WITH MIDWEST TRUCK & AUTO PARTS, INC.® MOTIVE GEAR® AND WORLD AMERICAN® ARE THE REGISTERED TRADEMARKS OF MIDWEST TRUCK & AUTO PARTS, INC.® USE OF THE ® IN CONNECTION WITH A MARK OF MIDWEST TRUCK & AUTO PARTS, INC.® INDICATES THAT THE MARK IS REGISTERED IN AT LEAST THE UNITED STATES. NO REPRESENTATION IS MADE WITH RESPECT TO THE SOURCE OF MANUFACTURE OF ANY PARTICULAR PART. © 2005, MIDWEST TRUCK & AUTO PARTS, INC.® ALL RIGHTS RESERVED.

FULLER® 18 SPEED

FIG.	PART#	DESCRIPTION	RTLO-14918	RTLO-16918	RTLO-18918	RTLO-20918	RTLO-20918-T2
1	212SLV	BEARING			X	X	X
2	16463	SPACER	X	X	X	X	X
3	14750	SNAP RING	X	X	X	X	X
4	4300238	GEAR MAIN DRIVE 52T	X				
4	4304510	GEAR MAIN DRIVE		X	X	X	X
5	INPUT SHAFTS (SEE PG. 331)		X	X	X	X	X
6	16566	BUSHING	X	X	X	X	X
7	22026	SLIDING CLUTCH	X	X	X	X	X
8	4302398	WASHER	X	X	X	X	X
9	20450	SHIFT YOKE	X	X	X	X	X
10	20120	SHIFTING BLOCK	X	X	X	X	X
11	18928	YOKE BAR	X	X	X	X	X
12	19063	SHIFTING BLOCK	X	X	X	X	X
13	4302393	GEAR M/S 42T	X				
13	4304514	GEAR M/S	X	X	X	X	
14	4303603	WASHER	X	X	X	X	X
15	4302394	GEAR M/S 50T	X	X			
15	4302670	GEAR M/S		X			
15	4304516	GEAR M/S 50T				X	X
16	16118	SLIDING CLUTCH	X	X	X	X	X
17	4303420	GEAR M/S	X	X			
17	4303701	GEAR M/S		X	X	X	
18	4303409	GEAR M/S	X	X	X	X	X
19	18922	SHIFT YOKE	X	X	X	X	X
20	18927	YOKE BAR	X	X	X	X	X
21	14658	SHIFTING BLOCK	X	X	X	X	X
22	X-14-1200	BALL	X	X	X	X	X
23	1634	PIN	X	X	X	X	X
24	4300382	WASHER	X	X	X	X	X
25	4302047	SPACER	X	X	X	X	X
26	16756	REVERSE GEAR M/S 46T	X	X	X	X	X
27	14750	SNAP RING	X	X	X	X	X
28	S-2562	MAIN SHAFT 17T	X	X			
28	S-2560	MAIN SHAFT			X	X	X
29	62504	PIN 3X16	X	X	X	X	X
30	4300120	KEY	X	X	X	X	X
31	16131	REVERSE YOKE	X	X	X	X	X
32	18926	YOKE BAR	X	X	X	X	X
33	10019	PIN	X	X	X	X	X
34	6392	SPRING	X	X	X	X	X
35	8968	PLUG	X	X	X	X	X
36	X-7-1005	BOLT 5/8"	X	X	X	X	X

PARTS LISTED IN THIS CATALOG ARE NOT NECESSARILY MANUFACTURED BY THE ORIGINAL EQUIPMENT MANUFACTURER AND ANY REFERENCE TO THE TRADEMARKS OR PART NUMBERS OF OTHERS ARE FOR CROSS REFERENCE INFORMATIONAL PURPOSES ONLY. THE TRADEMARKS OF OTHERS REFERRED TO HEREIN ARE OWNED BY THEIR RESPECTIVE COMPANIES AND ARE NOT AFFILIATED IN ANY WAY WITH MIDWEST TRUCK & AUTO PARTS, INC.® MOTIVE GEAR® AND WORLD AMERICAN® ARE THE REGISTERED TRADEMARKS OF MIDWEST TRUCK & AUTO PARTS, INC.® USE OF THE ® IN CONNECTION WITH A MARK OF MIDWEST TRUCK & AUTO PARTS, INC.® INDICATES THAT THE MARK IS REGISTERED IN AT LEAST THE UNITED STATES. NO REPRESENTATION IS MADE WITH RESPECT TO THE SOURCE OF MANUFACTURE OF ANY PARTICULAR PART. © 2005, MIDWEST TRUCK & AUTO PARTS, INC.® ALL RIGHTS RESERVED.

FULLER®

18 SPEED (Cont'd)

FIG.	PART#	DESCRIPTION	RTLO-14918	RTLO-16918	RTLO-18918	RTLO-20918	RTLO-20918-T2
37	19548	LOCKING DISK	X	X	X	X	X
38	BS500192S	BEARING	X	X	X	X	X
39	19198	SNAP RING	X	X	X	X	X
40	21018	GEAR C/S 66T	X				
40	4304060	GEAR C/S	X				
40	4302666	GEAR C/S		X			
40	4304512	GEAR C/S			X	X	
41	15953	GEAR C/S PTO 47T LH PTO (LEFT)	X	X	X	X	X
41	20840	GEAR C/S PTO 45T RH PTO (RIGHT)	X	X	X	X	X
42	4300191	GEAR C/S 73T	X				
42	4303666	GEAR C/S	X	X			
42	4304508	GEAR C/S			X	X	
43	21264	GEAR C/S 46T	X	X			
43	4300247	GEAR C/S		X			
43	4304518	GEAR C/S			X	X	
44	21025	GEAR C/S 1ST 39T	X	X			
44	4304520	GEAR C/S		X	X	X	
45	19549	COUNTERSHAFT 17T	X				
45	K-2953	COUNTERSHAFT KIT W/KEYS	X				
45	K-2947	COUNTERSHAFT KIT		X	X	X	X
46	19673	KEY	X	X	X	X	X
47	62511	PIN	X	X	X	X	X
48	X-6-E	KEY	X	X	X	X	X
49	MU1308TV	BEARING	X				
49	4302712	BEARING		X	X	X	X
50	14317	SNAP RING	X				
50	4302082	SNAP RING		X	X	X	X
51	X-7-1008	SCREW 5/8"	X	X	X	X	X
52	14283	WASHER	X	X	X	X	X
53	4302982	WASHER	X	X	X	X	X
54	FWA1830	BEARING	X	X	X	X	X
55	16757	REVERSE GEAR 27T	X	X	X	X	X
56	4302981	REVERSE GEAR PIN	X	X	X	X	X
57	4303336	RETAINING RING					
58	4303673	SPACER	X				
58	4304499	SPACER		X	X	X	X
59	6217-3BBN	BEARING	X				
59	5566510	BEARING		X	X	X	X
60	4300894	RETAINER RING	X				
60	4304497	RETAINER RING		X	X	X	X
61	4300911	SPACER	X				
61	4304500	SPACER		X	X	X	X
62	K-2808	GEAR AUX. DRIVE	X	X	X		

PARTS LISTED IN THIS CATALOG ARE NOT NECESSARILY MANUFACTURED BY THE ORIGINAL EQUIPMENT MANUFACTURER AND ANY REFERENCE TO THE TRADEMARKS OR PART NUMBERS OF OTHERS ARE FOR CROSS REFERENCE INFORMATIONAL PURPOSES ONLY. THE TRADEMARKS OF OTHERS REFERRED TO HEREIN ARE OWNED BY THEIR RESPECTIVE COMPANIES AND ARE NOT AFFILIATED IN ANY WAY WITH MIDWEST TRUCK & AUTO PARTS, INC.® MOTIVE GEAR® AND WORLD AMERICAN® ARE THE REGISTERED TRADEMARKS OF MIDWEST TRUCK & AUTO PARTS, INC.® USE OF THE ® IN CONNECTION WITH A MARK OF MIDWEST TRUCK & AUTO PARTS, INC.® INDICATES THAT THE MARK IS REGISTERED IN AT LEAST THE UNITED STATES. NO REPRESENTATION IS MADE WITH RESPECT TO THE SOURCE OF MANUFACTURE OF ANY PARTICULAR PART. © 2005, MIDWEST TRUCK & AUTO PARTS, INC.® ALL RIGHTS RESERVED.

FULLER®

18 SPEED (Cont'd)

FIG.	PART#	DESCRIPTION	RTLO-14918	RTLO-16918	RTLO-18918	RTLO-20918	RTLO-20918-T2
62	4304084	GEAR AUX. DRIVE (ONLY GEAR)				X	X
63	4303185	WASHER	X	X	X	X	X
64	4301254	SNAP RING	X	X	X	X	X
65	4300907	SLIDING CLUTCH	X	X	X	X	X
66	A-6304	WELDED YOKE ASSY	X	X	X	X	X
67	4303583	GASKET	X	X	X	X	X
68	4303582	CYLINDER	X	X	X	X	X
69	21208	O-RING	X	X	X	X	X
70	13653	O-RING	X	X	X	X	X
71	4301964	PISTON	X	X	X	X	X
72	21209	O-RING	X	X	X	X	X
73	X-1-805	NUT	X	X	X	X	X
74	5568534	O-RING	X	X	X	X	X
75	4304033	SEAL PLATE	X	X	X	X	X
76	K-3329	REPAIR KIT	X	X	X	X	X
77	K-3331	REPAIR KIT	X	X	X	X	X
78	X-7-1007	BOLT	X	X	X	X	X
79	4301843	RETAINER	X	X	X	X	X
80	4303421	GEAR	X	X	X		
80	4304086	GEAR				X	X
81	4300902	BEARING	X	X	X	X	X
82	4301844	BEARING SLEEVE	X	X	X	X	X
83	4303424	SNAP RING	X	X	X	X	X
84	14897	SPRING	X	X	X	X	X
85	A-4938	SYNCHRONIZER RING	X	X	X	X	X
86	4303386	SLIDING CLUTCH	X	X	X	X	X
87	A-4937	SYNCHRONIZER RING	X	X	X	X	X
88	22823	SHIFT YOKE	X	X	X	X	X
89	14347	GASKET	X	X	X	X	X
90	A-6690	CYLINDER ASSY	X	X	X	X	X
91	14765	O-RING	X	X	X	X	X
92	4303596	YOKE BAR	X	X	X	X	X
93	14341	PISTON	X	X	X	X	X
94	14345	O-RING	X	X	X	X	X
95	14344	O-RING	X	X	X	X	X
96	X-1-1010	NUT 5/8"	X	X	X	X	X
97	22826	GASKET	X	X	X	X	X
98	4303926	COVER	X	X	X	X	X
99	4303705	MAIN SHAFT	X	X	X	X	X
100	4301842	WASHER	X	X	X	X	X
101	4301851	BEARING	X				
102	K-3221	AUX. COUNTERSHAFT ASSY W/WASHER		X	X		

PARTS LISTED IN THIS CATALOG ARE NOT NECESSARILY MANUFACTURED BY THE ORIGINAL EQUIPMENT MANUFACTURER AND ANY REFERENCE TO THE TRADEMARKS OR PART NUMBERS OF OTHERS ARE FOR CROSS REFERENCE INFORMATIONAL PURPOSES ONLY. THE TRADEMARKS OF OTHERS REFERRED TO HEREIN ARE OWNED BY THEIR RESPECTIVE COMPANIES AND ARE NOT AFFILIATED IN ANY WAY WITH MIDWEST TRUCK & AUTO PARTS, INC.® MOTIVE GEAR® AND WORLD AMERICAN® ARE THE REGISTERED TRADEMARKS OF MIDWEST TRUCK & AUTO PARTS, INC.® USE OF THE ® IN CONNECTION WITH A MARK OF MIDWEST TRUCK & AUTO PARTS, INC.® INDICATES THAT THE MARK IS REGISTERED IN AT LEAST THE UNITED STATES. NO REPRESENTATION IS MADE WITH RESPECT TO THE SOURCE OF MANUFACTURE OF ANY PARTICULAR PART. © 2005, MIDWEST TRUCK & AUTO PARTS, INC.® ALL RIGHTS RESERVED.

FULLER®
18 SPEED (Cont'd)

FIG.	PART#	DESCRIPTION	RTLO-14918	RTLO-16918	RTLO-18918	RTLO-20918	RTLO-20918-T2
102	K-3220	AUX. COUNTERSHAFT ASSY W/WASHER				X	X
102	A-6888	AUX. COUNTERSHAFT ASSY	X	X	X	X	X
103	4303124	WASHER	X	X	X	X	X
104	4301795	GEAR M/S 52T	X	X	X	X	X
105	4300912	SPACER	X	X	X	X	X
106	5556503	BEARING	X	X	X	X	X
107	20191	SPACER	X	X	X	X	X
108	4302321	NUT	X	X	X	X	X
109	14335	GASKET	X	X	X	X	X
110	4303586	COVER	X	X	X	X	X
111	K-1946	SYNCHRONIZER KIT	X	X	X	X	X
112	S-1219	YOKE ASSY	X	X	X	X	X
113	K-1947	SYNCHRO KIT W/SLIDING CLUTCH (OLD)	X	X	X	X	X
113	K-1948	SYNCHRO KIT W/SLIDING CLUTCH (NEW)	X	X	X	X	X

CALL YOUR SALES REP FOR BEARING & SEAL KITS

PARTS LISTED IN THIS CATALOG ARE NOT NECESSARILY MANUFACTURED BY THE ORIGINAL EQUIPMENT MANUFACTURER AND ANY REFERENCE TO THE TRADEMARKS OR PART NUMBERS OF OTHERS ARE FOR CROSS REFERENCE INFORMATIONAL PURPOSES ONLY. THE TRADEMARKS OF OTHERS REFERRED TO HEREIN ARE OWNED BY THEIR RESPECTIVE COMPANIES AND ARE NOT AFFILIATED IN ANY WAY WITH MIDWEST TRUCK & AUTO PARTS, INC.® MOTIVE GEAR® AND WORLD AMERICAN® ARE THE REGISTERED TRADEMARKS OF MIDWEST TRUCK & AUTO PARTS, INC.® USE OF THE ® IN CONNECTION WITH A MARK OF MIDWEST TRUCK & AUTO PARTS, INC.® INDICATES THAT THE MARK IS REGISTERED IN AT LEAST THE UNITED STATES. NO REPRESENTATION IS MADE WITH RESPECT TO THE SOURCE OF MANUFACTURE OF ANY PARTICULAR PART. © 2005, MIDWEST TRUCK & AUTO PARTS, INC.® ALL RIGHTS RESERVED.

NUTS, SNAP RINGS, OIL SEALS AND FRONT BEARING COVERS

Nut Pull



Nut Push



Snap Ring



Oil Seal

TABLE Z1
NUT OR SNAP RING

ITEM	PART NO.	DESCRIPTION
A	15253	SNAP RING
B	16723	SNAP RING
C	8858	NUT PUSH
D	8997	NUT PUSH
E	11466	NUT PUSH
F	16980	SNAP RING

TABLE Z2
OIL SEAL

ITEM	PART NO.	DESCRIPTION
A	18386	OIL SEAL
B	450094N	OIL SEAL - 1-3/4"
C	470737N	OIL SEAL - 2"
D	471571	OIL SEAL
E	452554N	OIL SEAL

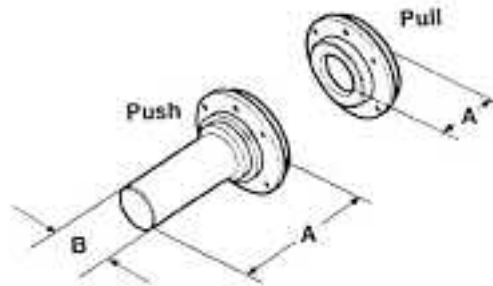


TABLE Z3
FRONT BEARING COVER

MODELS: 6609, 610, 613, 6613

ITEM	PART NO.	DESCRIPTION	A INCHES	B INCHES	SEAL
A	15020	PUSH - 1-3/4"	6.22	2.25	
A	16324	PUSH - 1-3/4"	6.87	2.25	
B	15491	PUSH - 1-1/2"	5.78	1.87	E
B	15647	PUSH - 1-1/2"	7.25	1.94	E
B	15727	PUSH - 1-1/2"	6.22	1.87	E
B	15265	PUSH - 1-1/2"	7.06	1.87	E
B	16277	PUSH - 1-1/2"	6.25	1.94	E
C	15019	PULL - 1-3/4"	1.04		
E	22288	PUSH - 1-1/2"	6.91	1.87	E

TABLE Z3
FRONT BEARING COVER

MODELS: 8609, 7608LL

ITEM	PART NO.	DESCRIPTION	A INCHES	B INCHES	SEAL
D	20785	PULL - 2"	1.04		
D	20777	PULL - 1-3/4"	1.04		

PARTS LISTED IN THIS CATALOG ARE NOT NECESSARILY MANUFACTURED BY THE ORIGINAL EQUIPMENT MANUFACTURER AND ANY REFERENCE TO THE TRADEMARKS OR PART NUMBERS OF OTHERS ARE FOR CROSS REFERENCE INFORMATIONAL PURPOSES ONLY. THE TRADEMARKS OF OTHERS REFERRED TO HEREIN ARE OWNED BY THEIR RESPECTIVE COMPANIES AND ARE NOT AFFILIATED IN ANY WAY WITH MIDWEST TRUCK & AUTO PARTS, INC. MOTIVE GEAR® AND WORLD AMERICAN® ARE THE REGISTERED TRADEMARKS OF MIDWEST TRUCK & AUTO PARTS, INC. USE OF THE ® IN CONNECTION WITH A MARK OF MIDWEST TRUCK & AUTO PARTS, INC. INDICATES THAT THE MARK IS REGISTERED IN AT LEAST THE UNITED STATES. NO REPRESENTATION IS MADE WITH RESPECT TO THE SOURCE OF MANUFACTURE OF ANY PARTICULAR PART. © 2005, MIDWEST TRUCK & AUTO PARTS, INC. ALL RIGHTS RESERVED.

NUTS, SNAP RINGS, OIL SEALS AND FRONT BEARING COVERS

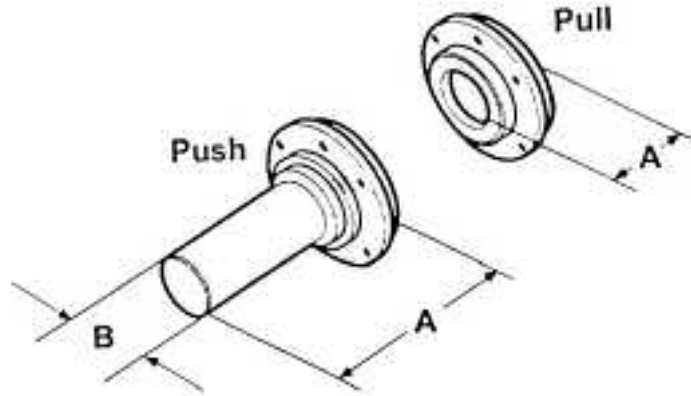





TABLE Z3 MODELS: 8607, 8608L, 900, 9500, 11500, 11600, 11700, 11800, 12500, 12600, 12700, 14600, 14700, 14800, 15600, 15700, 15800, 16600, 16700, 18700

FRONT BEARING COVER

ITEM	PART NO.	DESCRIPTION	A INCHES	B INCHES	SEAL
F	14370	PUSH - 1-3/4"	6.22	2.24	
G	14267	PULL - 1-3/4"	1.04		
H	18699	PULL - 1-3/4" & 2"	1.03		B-C
I	14994	PUSH - 2"	6.00	2.46	
J	15111	PULL - 2"	1.03		
K	15113	PUSH - 2"	6.00	2.46	D
L	20551	PUSH - 1-3/4"	6.22	2.25	
M	20552	PULL - 1-3/4"	1.04		
N	20550	PULL - 2"	1.04		
O	20549	PUSH - 2"	6.00	2.46	
Q	17017	PUSH - 1-3/4"	6.22	2.25	D
R	18791	PUSH - 1-3/4"	6.58	2.12	A
S	18846	PUSH - 2"	6.58	2.36	D
U	18388	PUSH - 1-3/4"	7.09	2.24	A
V	18424	PUSH - 1-3/4"	6.22	2.25	A
W	15458	PUSH - 1-1/2"	5.78	1.87	
X	15459	PUSH - 1-1/2"	6.19	1.87	

PARTS LISTED IN THIS CATALOG ARE NOT NECESSARILY MANUFACTURED BY THE ORIGINAL EQUIPMENT MANUFACTURER AND ANY REFERENCE TO THE TRADEMARKS OR PART NUMBERS OF OTHERS ARE FOR CROSS REFERENCE INFORMATIONAL PURPOSES ONLY. THE TRADEMARKS OF OTHERS REFERRED TO HEREIN ARE OWNED BY THEIR RESPECTIVE COMPANIES AND ARE NOT AFFILIATED IN ANY WAY WITH MIDWEST TRUCK & AUTO PARTS, INC.® MOTIVE GEAR® AND WORLD AMERICAN® ARE THE REGISTERED TRADEMARKS OF MIDWEST TRUCK & AUTO PARTS, INC.® USE OF THE ® IN CONNECTION WITH A MARK OF MIDWEST TRUCK & AUTO PARTS, INC.® INDICATES THAT THE MARK IS REGISTERED IN AT LEAST THE UNITED STATES. NO REPRESENTATION IS MADE WITH RESPECT TO THE SOURCE OF MANUFACTURE OF ANY PARTICULAR PART. © 2005, MIDWEST TRUCK & AUTO PARTS, INC.® ALL RIGHTS RESERVED.

INPUT SHAFTS

NUT OR SNAP RING		SEE TABLE Z1
COVER		SEE TABLE Z3
SEAL		SEE TABLE Z2

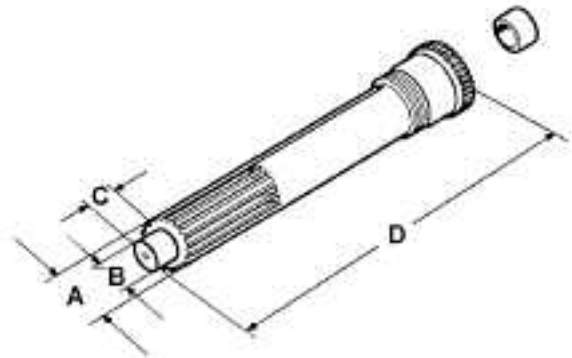


TABLE INPUT SHAFTS FOR 6 SPEEDS

MODELS	INPUT KIT PART NO. Only Shaft	PART NO. W/BUSH	TYPE	A Inches	B Inches	C Inches	D Inches	NUT/SR	COVER	SEAL
RT-906	14660	S-1130	PUSH	1.75	1.18	0.81	12.12	C	F	---
T-1056	14661	S-1131	PULL	1.75	1.18	0.81	12.12	D	G	---
T-1056 A	14995	S-1132	PUSH	2.00	1.18	0.81	12.12	C	I	---
T11605	15110	S-1133	PULL	2.00	1.18	0.81	12.12	D	J	---
	15112	S-1134	PUSH	2.00	1.18	0.81	12.12	E	K	D
	16983	S-1343	PULL	1.75	1.18	0.81	12.12	F	H	B
	16984	S-1344	PULL	2.00	1.18	0.81	12.12	F	H	C
	20530	S-1496	PUSH	1.75	1.18	0.81	12.12	F	L	---
	20531	S-1497	PULL	1.75	1.18	0.81	12.12	F	M	---
	23569	S-1661	PULL	2.00	1.18	0.81	12.12	F	N	---
	23570	S-1662	PUSH	2.00	1.18	0.81	12.12	F	O	---

TABLE INPUT SHAFTS FOR 7 SPEEDS

MODELS	INPUT KIT PART NO. Only Shaft	PART NO. W/BUSH	TYPE	A Inches	B Inches	C Inches	D Inches	NUT/SR	COVER	SEAL
T-8607	20530	S-1496	PUSH	1.75	1.18	0.81	12.12	F	L	---
T-8607 B	20531	S-1497	PULL	1.75	1.18	0.81	12.12	F	M	---
	23569	S-1661	PULL	2.00	1.18	0.81	12.12	F	N	---
	23570	S-1662	PUSH	2.00	1.18	0.81	12.12	F	O	---
<hr/>										
T-11607	14660	S-1130	PUSH	1.75	1.18	0.81	12.12	C	F	---
T-11607 A	14661	S-1131	PULL	1.75	1.18	0.81	12.12	D	G	---
T-11607 B	14995	S-1132	PUSH	2.00	1.18	0.81	12.12	C	I	---
	15110	S-1133	PULL	2.00	1.18	0.81	12.12	D	J	---
	15112	S-1134	PUSH	2.00	1.18	0.81	12.12	E	K	D
	16983	S-1343	PULL	1.75	1.18	0.81	12.12	F	H	B
	16984	S-1344	PULL	2.00	1.18	0.81	12.12	F	H	C
	20530	S-1496	PUSH	1.75	1.18	0.81	12.12	F	L	---
	20531	S-1497	PULL	1.75	1.18	0.81	12.12	F	M	---
	23569	S-1661	PULL	2.00	1.18	0.81	12.12	F	N	---
	23570	S-1662	PUSH	2.00	1.18	0.81	12.12	F	O	---
<hr/>										
T-14607 A	23569	S-1661	PULL	2.00	1.18	0.81	12.12	F	N	---
T/TX-14607 B	23570	S-1662	PUSH	2.00	1.18	0.81	12.12	F	O	---

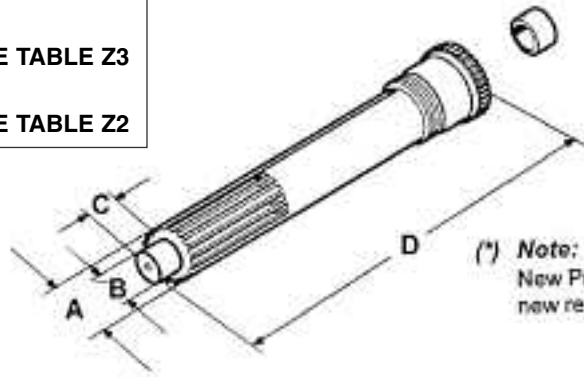
PARTS LISTED IN THIS CATALOG ARE NOT NECESSARILY MANUFACTURED BY THE ORIGINAL EQUIPMENT MANUFACTURER AND ANY REFERENCE TO THE TRADEMARKS OR PART NUMBERS OF OTHERS ARE FOR CROSS REFERENCE INFORMATIONAL PURPOSES ONLY. THE TRADEMARKS OF OTHERS REFERRED TO HEREIN ARE OWNED BY THEIR RESPECTIVE COMPANIES AND ARE NOT AFFILIATED IN ANY WAY WITH MIDWEST TRUCK & AUTO PARTS, INC.® MOTIVE GEAR® AND WORLD AMERICAN® ARE THE REGISTERED TRADEMARKS OF MIDWEST TRUCK & AUTO PARTS, INC.® USE OF THE ® IN CONNECTION WITH A MARK OF MIDWEST TRUCK & AUTO PARTS, INC.® INDICATES THAT THE MARK IS REGISTERED IN AT LEAST THE UNITED STATES. NO REPRESENTATION IS MADE WITH RESPECT TO THE SOURCE OF MANUFACTURE OF ANY PARTICULAR PART. © 2005, MIDWEST TRUCK & AUTO PARTS, INC.® ALL RIGHTS RESERVED.

INPUT SHAFTS

NUT OR SNAP RING  SEE TABLE Z1

COVER  SEE TABLE Z3

SEAL  SEE TABLE Z2



(*) Note:
New Production with
new revised spline.



Original
Spline



New
Spline

TABLE INPUT SHAFTS FOR 8 SPEEDS

MODELS	INPUT KIT PART NO. Only Shaft	PART NO. W/BUSH	TYPE	A Inches	B Inches	C Inches	D Inches	NUT/ SR	COVER	SEAL
RTO-1157DL	15110	S-1133	PULL	2.00	1.18	0.81	12.12	D	J	---
	16984	S-1344	PULL	2.00	1.18	0.81	12.12	F	H	C
	23569	S-1661	PULL	2.00	1.18	0.81	12.12	F	N	---
RT-9508	14660	S-1130	PUSH	1.75	1.18	0.81	12.12	C	F	---
RTO-11607L	14661	S-1131	PULL	1.75	1.18	0.81	12.12	D	G	---
	14995	S-1132	PUSH	2.00	1.18	0.81	12.12	C	I	---
	15110	S-1133	PULL	2.00	1.18	0.81	12.12	D	J	---
	15112	S-1134	PUSH	2.00	1.18	0.81	12.12	E	K	D
	16983	S-1343	PULL	1.75	1.18	0.81	12.12	F	H	B
	16984	S-1344	PULL	2.00	1.18	0.81	12.12	F	H	C
	20530	S-1496	PUSH	1.75	1.18	0.81	12.12	F	L	---
	20531	S-1497	PULL	1.75	1.18	0.81	12.12	F	M	---
	23569	S-1661	PULL	2.00	1.18	0.81	12.12	F	N	---
	23570	S-1662	PUSH	2.00	1.18	0.81	12.12	F	O	---
RT-11608	16465	S-1128	PULL	2.00	1.18	0.81	11.94	D	J	---
	16466	S-1129	PUSH	2.00	1.18	0.81	11.94	C	I	---
	18837	S-1409	PULL	2.00	1.18	0.81	11.94	F	H	C
	19316	S-1406	PULL	1.75	1.18	0.81	11.94	D	G	---
	19714		PUSH	1.75	1.18	0.81	11.94	C	F	---
	19716		PUSH	2.00	1.18	0.81	11.94	E	K	D
	20532	S-1498	PUSH	1.75	1.18	0.81	11.94	F	L	---
	20538	S-1504	PULL	1.75	1.18	0.81	11.94	F	M	---
	23566	S-1659*	PULL	2.00	1.18	0.81	11.94	F	N	---
	23567	S-1660	PUSH	2.00	1.18	0.81	11.94	F	O	---
	14608 SERIES	16465	S-1128	PULL	2.00	1.18	0.81	11.94	D	J
16466		S-1129	PUSH	2.00	1.18	0.81	11.94	C	I	---
18837		S-1409	PULL	2.00	1.18	0.81	11.94	F	H	C
19716			PUSH	2.00	1.18	0.81	11.94	E	K	D
23566		S-1659*	PULL	2.00	1.18	0.81	11.94	F	N	---
23567		S-1660	PUSH	2.00	1.18	0.81	11.94	F	O	---

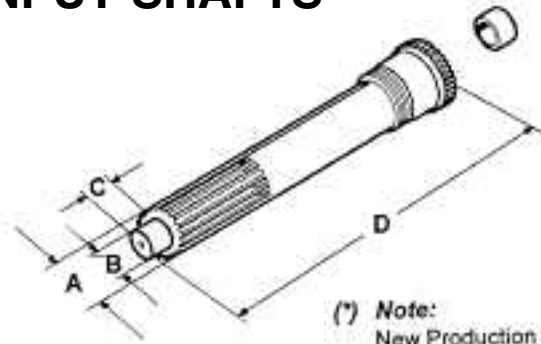
PARTS LISTED IN THIS CATALOG ARE NOT NECESSARILY MANUFACTURED BY THE ORIGINAL EQUIPMENT MANUFACTURER AND ANY REFERENCE TO THE TRADEMARKS OR PART NUMBERS OF OTHERS ARE FOR CROSS REFERENCE INFORMATIONAL PURPOSES ONLY. THE TRADEMARKS OF OTHERS REFERRED TO HEREIN ARE OWNED BY THEIR RESPECTIVE COMPANIES AND ARE NOT AFFILIATED IN ANY WAY WITH MIDWEST TRUCK & AUTO PARTS, INC.® MOTIVE GEAR® AND WORLD AMERICAN® ARE THE REGISTERED TRADEMARKS OF MIDWEST TRUCK & AUTO PARTS, INC.® USE OF THE ® IN CONNECTION WITH A MARK OF MIDWEST TRUCK & AUTO PARTS, INC.® INDICATES THAT THE MARK IS REGISTERED IN AT LEAST THE UNITED STATES. NO REPRESENTATION IS MADE WITH RESPECT TO THE SOURCE OF MANUFACTURE OF ANY PARTICULAR PART. © 2005, MIDWEST TRUCK & AUTO PARTS, INC.® ALL RIGHTS RESERVED.

INPUT SHAFTS

NUT OR SNAP RING ☞ SEE TABLE Z1

COVER ☞ SEE TABLE Z3

SEAL ☞ SEE TABLE Z2



(*) Note:
New Production with
new revised spline.

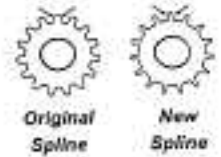


TABLE INPUT SHAFTS FOR 9 SPEEDS


MODELS	INPUT KIT		TYPE	A Inches	B Inches	C Inches	D Inches	NUT/ Inches	SR	COVER	SEAL
	PART NO. Only Shaft	PART NO. W/BUSH									
RT-909A	14660	S-1130	PUSH	1.75	1.18	0.81	12.12	C	F	---	
RTO-909 A/B	14661	S-1131	PULL	1.75	1.18	0.81	12.12	D	G	---	
RT-9509 A/C	14995	S-1132	PUSH	2.00	1.18	0.81	12.12	C	I	---	
RTO-9509 A/B	15110	S-1133	PULL	2.00	1.18	0.81	12.12	D	J	---	
	15112	S-1134	PUSH	2.00	1.18	0.81	12.12	E	K	D	
	16983	S-1343	PULL	1.75	1.18	0.81	12.12	F	H	B	
	16984	S-1344	PULL	2.00	1.18	0.81	12.12	F	H	C	
	20530	S-1496	PUSH	1.75	1.18	0.81	12.12	F	L	---	
	20531	S-1497	PULL	1.75	1.18	0.81	12.12	F	M	---	
	23569	S-1661	PULL	2.00	1.18	0.81	12.12	F	N	---	
	23570	S-1662	PUSH	2.00	1.18	0.81	12.12	F	O	---	
	F88983		PUSH	1.75	0.98	1.50	14.25	C	R	---	
<hr/>											
RT-11509	16465	S-1128	PULL	2.00	1.18	0.81	11.94	D	J	---	
RTO/RTX-11509	18837	S-1409	PULL	2.00	1.18	0.81	11.94	F	H	C	
	23566	S-1659*	PULL	2.00	1.18	0.81	11.94	F	N	---	
<hr/>											
RT-12509	16465	S-1128	PULL	2.00	1.18	0.81	11.94	D	J	---	
RTO/RTX-12509	16466	S-1129	PUSH	2.00	1.18	0.81	11.94	C	I	---	
	18837	S-1409	PULL	2.00	1.18	0.81	11.94	F	H	C	
	23566	S-1659*	PULL	2.00	1.18	0.81	11.94	F	N	---	
	23567	S-1660	PUSH	2.00	1.18	0.81	11.94	F	O	---	
<hr/>											
RT/RTX-6609	U66002										
RT/RTX-7609	F99715		PUSH								
	F99779										
	F99869		PULL								
	U66002										
<hr/>											
RT-8609	20787	A-5021	PULL	2.00	1.18	0.81	12.50	B	D	---	
	20788	A-5022	PULL	1.75	1.18	0.81	12.50	B	D	---	
	21001	A-5083	PULL	1.75	1.18	0.81	12.50	B	D	---	
<hr/>											
RT-8608L	20532	S-1498	PUSH	1.75	1.18	0.81	11.94	F	L	---	
	20538	S-1504	PULL	1.75	1.18	0.81	11.94	F	M	---	
	23566	S-1659*	PULL	2.00	1.18	0.81	11.94	F	N	---	
	23567	S-1660	PUSH	2.00	1.18	0.81	11.94	F	O	---	
RT/RTO-11609	16465	S-1128	PULL	2.00	1.18	0.81	11.94	D	J	---	
RTX-11609	16466	S-1129	PUSH	2.00	1.18	0.81	11.94	C	I	---	
RT/RTO-12609	F96031	T20085		2.00	1.18	0.81	11.94				
RTX-12609	18837	S-1409	PULL	2.00	1.18	0.81	11.94	F	H	C	

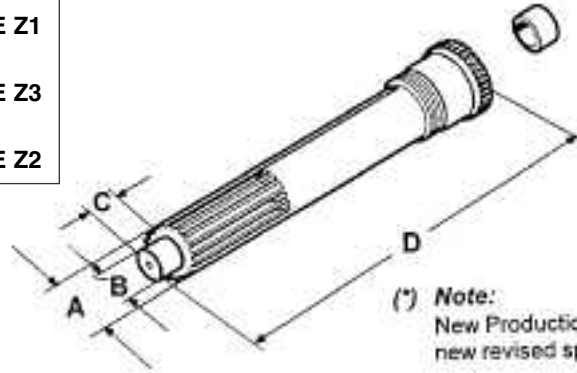
PARTS LISTED IN THIS CATALOG ARE NOT NECESSARILY MANUFACTURED BY THE ORIGINAL EQUIPMENT MANUFACTURER AND ANY REFERENCE TO THE TRADEMARKS OR PART NUMBERS OF OTHERS ARE FOR CROSS REFERENCE INFORMATIONAL PURPOSES ONLY. THE TRADEMARKS OF OTHERS REFERRED TO HEREIN ARE OWNED BY THEIR RESPECTIVE COMPANIES AND ARE NOT AFFILIATED IN ANY WAY WITH MIDWEST TRUCK & AUTO PARTS, INC.® MOTIVE GEAR® AND WORLD AMERICAN® ARE THE REGISTERED TRADEMARKS OF MIDWEST TRUCK & AUTO PARTS, INC.® USE OF THE ® IN CONNECTION WITH A MARK OF MIDWEST TRUCK & AUTO PARTS, INC.® INDICATES THAT THE MARK IS REGISTERED IN AT LEAST THE UNITED STATES. NO REPRESENTATION IS MADE WITH RESPECT TO THE SOURCE OF MANUFACTURE OF ANY PARTICULAR PART. © 2005, MIDWEST TRUCK & AUTO PARTS, INC.® ALL RIGHTS RESERVED.

INPUT SHAFTS

NUT OR SNAP RING  SEE TABLE Z1

COVER  SEE TABLE Z3

SEAL  SEE TABLE Z2



(*) Note:
New Production with
new revised spline.



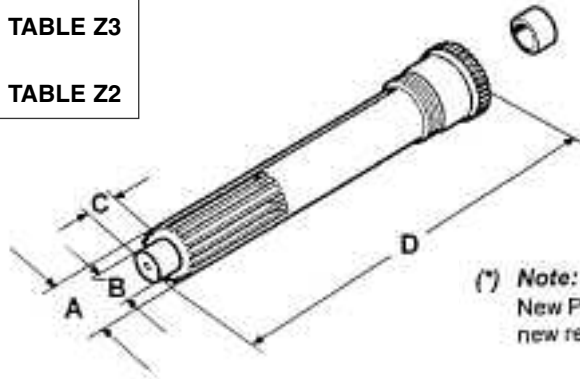
TABLE INPUT SHAFTS FOR 9 SPEEDS (Cont'd)

MODELS	INPUT KIT PART NO. Only Shaft	PART NO. W/BUSH	TYPE	A Inches	B Inches	C Inches	D Inches	NUT/ SR	COVER	SEAL
	19316	S-1406	PULL	1.75	1.18	0.81	11.94	D	G	---
	19714		PUSH	1.75	1.18	0.81	11.94	C	F	---
	19716		PUSH	2.00	1.18	0.81	11.94	E	K	D
	20532	S-1498	PUSH	1.75	1.18	0.81	11.94	F	L	---
	20538	S-1504	PULL	1.75	1.18	0.81	11.94	F	M	---
	23566	S-1659*	PULL	2.00	1.18	0.81	11.94	F	N	---
	23567	S-1660	PUSH	2.00	1.18	0.81	11.94	F	O	---
<hr/>										
RT/RTX-13609	23566	S-1659*	PULL	2.00	1.18	0.81	11.94	F	N	---
	23567	S-1660	PUSH	2.00	1.18	0.81	11.94	F	O	---
<hr/>										
RT/RTO-14609	16465	S-1128	PULL	2.00	1.18	0.81	11.94	D	J	---
RTX-14609	16466	S-1129	PUSH	2.00	1.18	0.81	11.94	C	I	---
	18837	S-1409	PULL	2.00	1.18	0.81	11.94	F	H	C
	23566	S-1659*	PULL	2.00	1.18	0.81	11.94	F	N	---
	23567	S-1660	PUSH	2.00	1.18	0.81	11.94	F	O	---
<hr/>										
RT/RTO-11709	23566	S-1659*	PULL	2.00	1.18	0.81	11.94	F	N	---
RTX-11709	23567	S-1660	PUSH	2.00	1.18	0.81	11.94	F	O	---
<hr/>										
RT/RTO-12709	23566	S-1659*	PULL	2.00	1.18	0.81	11.94	F	N	---
RTX-12709	23567	S-1660	PUSH	2.00	1.18	0.81	11.94	F	O	---
<hr/>										
RT/RTO-13709	23566	S-1659*	PULL	2.00	1.18	0.81	11.94	F	N	---
RTX-13709	23567	S-1660	PUSH	2.00	1.18	0.81	11.94	F	O	---
<hr/>										
RT/RTO-14709	23566	S-1659*	PULL	2.00	1.18	0.81	11.94	F	N	---
RTX-14709	23567	S-1660	PUSH	2.00	1.18	0.81	11.94	F	O	---
<hr/>										
RT/RTO-16709	23566	S-1659*	PULL	2.00	1.18	0.81	11.94	F	N	---
RTX-16709	23567	S-1660	PUSH	2.00	1.18	0.81	11.94	F	O	---

PARTS LISTED IN THIS CATALOG ARE NOT NECESSARILY MANUFACTURED BY THE ORIGINAL EQUIPMENT MANUFACTURER AND ANY REFERENCE TO THE TRADEMARKS OR PART NUMBERS OF OTHERS ARE FOR CROSS REFERENCE INFORMATIONAL PURPOSES ONLY. THE TRADEMARKS OF OTHERS REFERRED TO HEREIN ARE OWNED BY THEIR RESPECTIVE COMPANIES AND ARE NOT AFFILIATED IN ANY WAY WITH MIDWEST TRUCK & AUTO PARTS, INC.® MOTIVE GEAR® AND WORLD AMERICAN® ARE THE REGISTERED TRADEMARKS OF MIDWEST TRUCK & AUTO PARTS, INC.® USE OF THE ® IN CONNECTION WITH A MARK OF MIDWEST TRUCK & AUTO PARTS, INC.® INDICATES THAT THE MARK IS REGISTERED IN AT LEAST THE UNITED STATES. NO REPRESENTATION IS MADE WITH RESPECT TO THE SOURCE OF MANUFACTURE OF ANY PARTICULAR PART. © 2005, MIDWEST TRUCK & AUTO PARTS, INC.® ALL RIGHTS RESERVED.

INPUT SHAFTS

NUT OR SNAP RING	☞	SEE TABLE Z1
COVER	☞	SEE TABLE Z3
SEAL	☞	SEE TABLE Z2



(*) Note:
New Production with
new revised spline.



TABLE INPUT SHAFTS FOR 9 SPEEDS (Cont'd)

MODELS	INPUT KIT PART NO. Only Shaft	PART NO. W/BUSH	TYPE	A Inches	B Inches	C Inches	D Inches	NUT/SR	COVER	SEAL
RTO-1157DLL	15110	S-1133	PULL	2.00	1.18	0.81	12.12	D	J	---
	16984	S-1344	PULL	2.00	1.18	0.81	12.12	F	H	C
<hr/>										
RTO-1157DLL	23569	S-1661	PULL	2.00	1.18	0.81	12.12	F	N	---
<hr/>										
RTO-11607LL	14660	S-1130	PUSH	1.75	1.18	0.81	12.12	C	F	---
	14661	S-1131	PULL	1.75	1.18	0.81	12.12	D	G	---
	14995	S-1132	PUSH	2.00	1.18	0.81	12.12	C	I	---
	15110	S-1133	PULL	2.00	1.18	0.81	12.12	D	J	---
	15112	S-1134	PUSH	2.00	1.18	0.81	12.12	E	K	D
	16983	S-1343	PULL	1.75	1.18	0.81	12.12	F	H	B
	16984	S-1344	PULL	2.00	1.18	0.81	12.12	F	H	C
	20530	S-1496	PUSH	1.75	1.18	0.81	12.12	F	L	---
	20531	S-1497	PULL	1.75	1.18	0.81	12.12	F	M	---
	23569	S-1661	PULL	2.00	1.18	0.81	12.12	F	N	---
23570	S-1662	PUSH	2.00	1.18	0.81	12.12	F	O	---	
<hr/>										
RTLO-11707LL	20530	S-1496	PUSH	1.75	1.18	0.81	12.12	F	L	---
	20531	S-1497	PULL	1.75	1.18	0.81	12.12	F	M	---
	23569	S-1661	PULL	2.00	1.18	0.81	12.12	F	N	---
	23570	S-1662	PUSH	2.00	1.18	0.81	12.12	F	O	---
<hr/>										
RTLO-13707LL	23569	S-1661	PULL	2.00	1.18	0.81	12.12	F	N	---

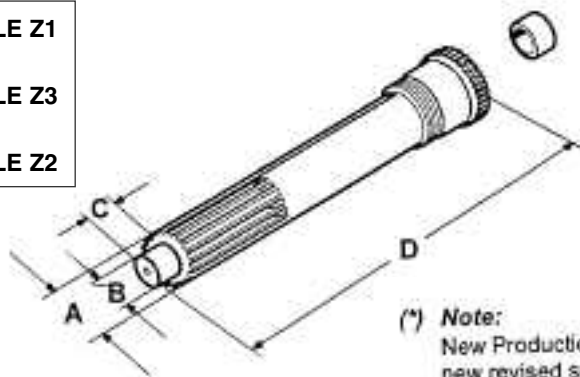
PARTS LISTED IN THIS CATALOG ARE NOT NECESSARILY MANUFACTURED BY THE ORIGINAL EQUIPMENT MANUFACTURER AND ANY REFERENCE TO THE TRADEMARKS OR PART NUMBERS OF OTHERS ARE FOR CROSS REFERENCE INFORMATIONAL PURPOSES ONLY. THE TRADEMARKS OF OTHERS REFERRED TO HEREIN ARE OWNED BY THEIR RESPECTIVE COMPANIES AND ARE NOT AFFILIATED IN ANY WAY WITH MIDWEST TRUCK & AUTO PARTS, INC.® MOTIVE GEAR® AND WORLD AMERICAN® ARE THE REGISTERED TRADEMARKS OF MIDWEST TRUCK & AUTO PARTS, INC.® USE OF THE ® IN CONNECTION WITH A MARK OF MIDWEST TRUCK & AUTO PARTS, INC.® INDICATES THAT THE MARK IS REGISTERED IN AT LEAST THE UNITED STATES. NO REPRESENTATION IS MADE WITH RESPECT TO THE SOURCE OF MANUFACTURE OF ANY PARTICULAR PART. © 2005, MIDWEST TRUCK & AUTO PARTS, INC.® ALL RIGHTS RESERVED.

INPUT SHAFTS

NUT OR SNAP RING  SEE TABLE Z1

COVER  SEE TABLE Z3

SEAL  SEE TABLE Z2



(*) Note:
New Production with
new revised spline.




TABLE INPUT SHAFTS FOR 10 SPEEDS

MODELS	INPUT KIT PART NO. Only Shaft	PART NO. W/BUSH	TYPE	A Inches	B Inches	C Inches	D Inches	NUT/ SR	COVER	SEAL
RT-RTO-610	18441	S-1250	PUSH	1.75	1.18	0.81	12.28	A	A	---
RT-RTO-6610	18442	S-1251	PUSH	1.75	0.98	0.81	12.28	A	A	---
	18443	S-1252	PUSH	1.50	0.98	0.81	11.42	A	B	---
	18444	S-1253	PULL	1.75	1.18	0.81	12.28	A	C	---
	18445	S-1254	PUSH	1.50	0.98	0.81	12.28	A	B	---
	18446	S-1255	PULL	1.75	0.98	0.81	12.28	A	C	---
<hr/>										
RT/RTO-910	15110	S-1133	PULL	2.00	1.18	0.81	12.12	D	J	---
	15112	S-1134	PUSH	2.00	1.18	0.81	12.12	E	K	D
	16983	S-1343	PULL	1.75	1.18	0.81	12.12	F	H	B
	16984	S-1344	PULL	2.00	1.18	0.81	12.12	F	H	C
	20530	S-1496	PUSH	1.75	1.18	0.81	12.12	F	L	---
	20531	S-1497	PULL	1.75	1.18	0.81	12.12	F	M	----
	23569	S-1661	PULL	2.00	1.18	0.81	12.12	F	N	---
	23570	S-1662	PUSH	2.00	1.18	0.81	12.12	F	O	---
<hr/>										
RT/RTO-1110	16465	S-1128	PULL	2.00	1.18	0.81	11.94	D	J	---
RTX-1110	18837	S-1409	PULL	2.00	1.18	0.81	11.94	F	H	C
	23566	S-1659*	PULL	2.00	1.18	0.81	11.94	F	N	---
<hr/>										
RT/RTO-11610	16465	S-1128	PULL	2.00	1.18	0.81	11.94	D	J	---
RTX-11610	16466	S-1129	PUSH	2.00	1.18	0.81	11.94	C	I	---
RT/RTO-12610	18837	S-1409	PULL	2.00	1.18	0.81	11.94	F	H	C
RTX-12610	19316	S-1406	PULL	1.75	1.18	0.81	11.94	D	G	---
RT/RTO-14610	19714		PUSH	1.75	1.18	0.81	11.94	C	F	---
RTX-14610	19716		PUSH	2.00	1.18	0.81	11.94	E	K	D
	20532	S-1498	PUSH	1.75	1.18	0.81	11.94	F	L	---
	20538	S-1504	PULL	1.75	1.18	0.81	11.94	F	M	---
	23566	S-1659*	PULL	2.00	1.18	0.81	11.94	F	N	---
	23567	S-1660	PUSH	2.00	1.18	0.81	11.94	F	O	---
<hr/>										
RT/RTO-12510	16465	S-1128	PULL	2.00	1.18	0.81	11.94	D	J	---
RTX-12510	16466	S-1129	PUSH	2.00	1.18	0.81	11.94	C	I	---
	18837	S-1409	PULL	2.00	1.18	0.81	11.94	F	H	C

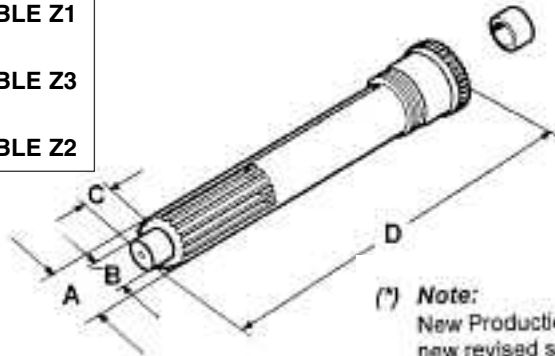
PARTS LISTED IN THIS CATALOG ARE NOT NECESSARILY MANUFACTURED BY THE ORIGINAL EQUIPMENT MANUFACTURER AND ANY REFERENCE TO THE TRADEMARKS OR PART NUMBERS OF OTHERS ARE FOR CROSS REFERENCE INFORMATIONAL PURPOSES ONLY. THE TRADEMARKS OF OTHERS REFERRED TO HEREIN ARE OWNED BY THEIR RESPECTIVE COMPANIES AND ARE NOT AFFILIATED IN ANY WAY WITH MIDWEST TRUCK & AUTO PARTS, INC.® MOTIVE GEAR® AND WORLD AMERICAN® ARE THE REGISTERED TRADEMARKS OF MIDWEST TRUCK & AUTO PARTS, INC.® USE OF THE ® IN CONNECTION WITH A MARK OF MIDWEST TRUCK & AUTO PARTS, INC.® INDICATES THAT THE MARK IS REGISTERED IN AT LEAST THE UNITED STATES. NO REPRESENTATION IS MADE WITH RESPECT TO THE SOURCE OF MANUFACTURE OF ANY PARTICULAR PART. © 2005, MIDWEST TRUCK & AUTO PARTS, INC.® ALL RIGHTS RESERVED.

INPUT SHAFTS

NUT OR SNAP RING  **SEE TABLE Z1**

COVER  **SEE TABLE Z3**

SEAL  **SEE TABLE Z2**



(*) **Note:**
New Production with
new revised spline.



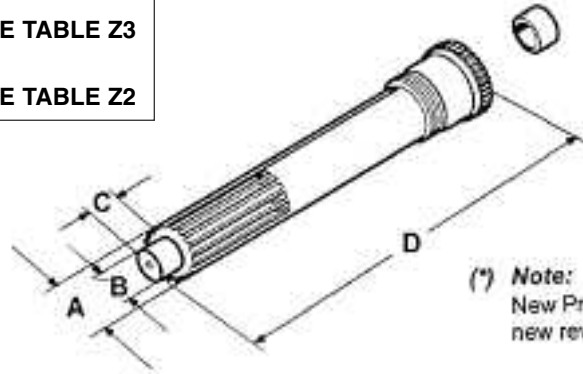
TABLE INPUT SHAFTS FOR 10 SPEEDS (Cont'd)

MODELS	INPUT KIT		TYPE	A Inches	B Inches	C Inches	D Inches	NUT/ SR	COVER	SEAL
	PART NO. Only Shaft	PART NO. W/BUSH								
RT/RTO-12510	23566	S-1659*	PULL	2.00	1.18	0.81	11.94	F	N	---
RTX-12510	23567	S-1660	PUSH	2.00	1.18	0.81	11.94	F	O	---
<hr/>										
RT/RTX-11710	23566	S-1659*	PULL	2.00	1.18	0.81	11.94	F	N	---
	23567	S-1660	PUSH	2.00	1.18	0.81	11.94	F	O	---
<hr/>										
RT/RTX-12710	23566	S-1659*	PULL	2.00	1.18	0.81	11.94	F	N	---
	23567	S-1660	PUSH	2.00	1.18	0.81	11.94	F	O	---
<hr/>										
RT/RTX-13710	23566	S-1659*	PULL	2.00	1.18	0.81	11.94	F	N	---
	23567	S-1660	PUSH	2.00	1.18	0.81	11.94	F	O	---
<hr/>										
RT/RTX-14710	23566	S-1659*	PULL	2.00	1.18	0.81	11.94	F	N	---
	23567	S-1660	PUSH	2.00	1.18	0.81	11.94	F	O	---
<hr/>										
RT/RTX-15710	23566	S-1659*	PULL	2.00	1.18	0.81	11.94	F	N	---
	23567	S-1660	PUSH	2.00	1.18	0.81	11.94	F	O	---
<hr/>										
RT/RTX-16710	23566	S-1659	PULL	2.00	1.18	0.81	11.94	F	N	---
	23567	S-1660	PUSH	2.00	1.18	0.81	11.94	F	O	---
<hr/>										
RTLO-11610B	23566	S-1659*	PULL	2.00	1.18	0.81	11.94	F	N	---
	23567	S-1660	PUSH	2.00	1.18	0.81	11.94	F	O	---
<hr/>										
RTLO-12610B	23566	S-1659*	PULL	2.00	1.18	0.81	11.94	F	N	---
	23567	S-1660	PUSH	2.00	1.18	0.81	11.94	F	O	---
<hr/>										
RTLO-13610B	23566	S-1659*	PULL	2.00	1.18	0.81	11.94	F	N	---
	23567	S-1660	PUSH	2.00	1.18	0.81	11.94	F	O	---

PARTS LISTED IN THIS CATALOG ARE NOT NECESSARILY MANUFACTURED BY THE ORIGINAL EQUIPMENT MANUFACTURER AND ANY REFERENCE TO THE TRADEMARKS OR PART NUMBERS OF OTHERS ARE FOR CROSS REFERENCE INFORMATIONAL PURPOSES ONLY. THE TRADEMARKS OF OTHERS REFERRED TO HEREIN ARE OWNED BY THEIR RESPECTIVE COMPANIES AND ARE NOT AFFILIATED IN ANY WAY WITH MIDWEST TRUCK & AUTO PARTS, INC.® MOTIVE GEAR® AND WORLD AMERICAN® ARE THE REGISTERED TRADEMARKS OF MIDWEST TRUCK & AUTO PARTS, INC.® USE OF THE ® IN CONNECTION WITH A MARK OF MIDWEST TRUCK & AUTO PARTS, INC.® INDICATES THAT THE MARK IS REGISTERED IN AT LEAST THE UNITED STATES. NO REPRESENTATION IS MADE WITH RESPECT TO THE SOURCE OF MANUFACTURE OF ANY PARTICULAR PART. © 2005, MIDWEST TRUCK & AUTO PARTS, INC.® ALL RIGHTS RESERVED.

INPUT SHAFTS

NUT OR SNAP RING  SEE TABLE Z1
 COVER  SEE TABLE Z3
 SEAL  SEE TABLE Z2



(* Note:
New Production with
new revised spline.

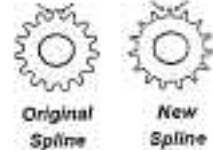


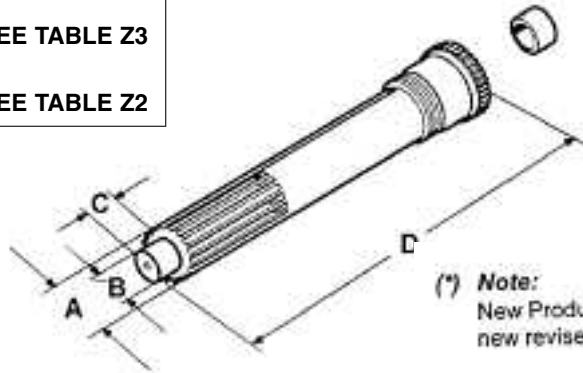
TABLE INPUT SHAFTS FOR 10 SPEEDS (Cont'd)

MODELS	INPUT KIT PART NO. Only Shaft	PART NO. W/BUSH	TYPE	A Inches	B Inches	C Inches	D Inches	NUT/ SR	COVER	SEAL
RTLO-14610B	23566	S-1659*	PULL	2.00	1.18	0.81	11.94	F	N	---
	23567	S-1660	PUSH	2.00	1.18	0.81	11.94	F	O	---
RTLO-15610B	23566	S-1659*	PULL	2.00	1.18	0.81	11.94	F	N	---
	23567	S-1660	PUSH	2.00	1.18	0.81	11.94	F	O	---
RTLO-16610B	23566	S-1659*	PULL	2.00	1.18	0.81	11.94	F	N	---
	23567	S-1660	PUSH	2.00	1.18	0.81	11.94	F	O	---
RTO-958LL/LLB	14660	S-1130	PUSH	1.75	1.18	0.81	12.12	C	F	---
	14661	S-1131	PULL	1.75	1.18	0.81	12.12	D	G	---
	14995	S-1132	PUSH	2.00	1.18	0.81	12.12	C	I	---
	15110	S-1133	PULL	2.00	1.18	0.81	12.12	D	J	---
	15112	S-1134	PUSH	2.00	1.18	0.81	12.12	E	K	D
	16983	S-1343	PULL	1.75	1.18	0.81	12.12	F	H	B
	16984	S-1344	PULL	2.00	1.18	0.81	12.12	F	H	C
	20530	S-1496	PUSH	1.75	1.18	0.81	12.12	F	L	---
	20531	S-1497	PULL	1.75	1.18	0.81	12.12	F	M	---
	23569	S-1661	PULL	2.00	1.18	0.81	12.12	F	N	---
	23570	S-1662	PUSH	2.00	1.18	0.81	12.12	F	O	---
RTO-1258LL	16465	S-1128	PULL	2.00	1.18	0.81	11.94	D	J	---
	16466	S-1129	PUSH	2.00	1.18	0.81	11.94	C	I	---
	18837	S-1409	PULL	2.00	1.18	0.81	11.94	F	H	C
	23566	S-1659*	PULL	2.00	1.18	0.81	11.94	F	N	---
	23567	S-1660	PUSH	2.00	1.18	0.81	11.94	F	O	---
RTO-11608LL	16465	S-1128	PULL	2.00	1.18	0.81	11.94	D	J	---
	16466	S-1129	PUSH	2.00	1.18	0.81	11.94	C	I	---
	19316	S-1406	PULL	1.75	1.18	0.81	11.94	D	G	---
	19714		PUSH	1.75	1.18	0.81	11.94	C	F	---

PARTS LISTED IN THIS CATALOG ARE NOT NECESSARILY MANUFACTURED BY THE ORIGINAL EQUIPMENT MANUFACTURER AND ANY REFERENCE TO THE TRADEMARKS OR PART NUMBERS OF OTHERS ARE FOR CROSS REFERENCE INFORMATIONAL PURPOSES ONLY. THE TRADEMARKS OF OTHERS REFERRED TO HEREIN ARE OWNED BY THEIR RESPECTIVE COMPANIES AND ARE NOT AFFILIATED IN ANY WAY WITH MIDWEST TRUCK & AUTO PARTS, INC.® MOTIVE GEAR® AND WORLD AMERICAN® ARE THE REGISTERED TRADEMARKS OF MIDWEST TRUCK & AUTO PARTS, INC.® USE OF THE ® IN CONNECTION WITH A MARK OF MIDWEST TRUCK & AUTO PARTS, INC.® INDICATES THAT THE MARK IS REGISTERED IN AT LEAST THE UNITED STATES. NO REPRESENTATION IS MADE WITH RESPECT TO THE SOURCE OF MANUFACTURE OF ANY PARTICULAR PART. © 2005, MIDWEST TRUCK & AUTO PARTS, INC.® ALL RIGHTS RESERVED.

INPUT SHAFTS

NUT OR SNAP RING  SEE TABLE Z1
 COVER  SEE TABLE Z3
 SEAL  SEE TABLE Z2



(*) Note:
New Production with
new revised spline.

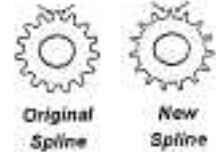




TABLE INPUT SHAFTS FOR 10 SPEEDS (Cont'd)


MODELS	INPUT KIT PART NO. Only Shaft	PART NO. W/BUSH	TYPE	A Inches	B Inches	C Inches	D Inches	NUT/SR	COVER	SEAL
	19716		PUSH	2.00	1.18	0.81	11.94	E	K	D
	18837	S-1409	PULL	2.00	1.18	0.81	11.94	F	H	C
RTO-11608LL	20532	S-1498	PUSH	1.75	1.18	0.81	11.94	F	L	---
	20538	S-1504	PULL	1.75	1.18	0.81	11.94	F	M	---
	23566	S-1659*	PULL	2.00	1.18	0.81	11.94	F	N	---
	23567	S-1660	PUSH	2.00	1.18	0.81	11.94	F	O	---
	<hr/>									
RTO-14608LL	16465	S-1128	PULL	2.00	1.18	0.81	11.94	D	J	---
	16466	S-1129	PUSH	2.00	1.18	0.81	11.94	C	I	---
	19716		PUSH	2.00	1.18	0.81	11.94	E	K	D
	23566	S-1659*	PULL	2.00	1.18	0.81	11.94	F	N	---
	23567	S-1660	PUSH	2.00	1.18	0.81	11.94	F	O	---
<hr/>										
RTO-11708LL	20532	S-1498	PUSH	1.75	1.18	0.81	11.94	F	L	---
	20538	S-1504	PULL	1.75	1.18	0.81	11.94	F	M	---
	23566	S-1659*	PULL	2.00	1.18	0.81	11.94	F	N	---
	23567	S-1660	PUSH	2.00	1.18	0.81	11.94	F	O	---
	<hr/>									
8608LL Series	20787	A-5021	PULL	2.00	1.18	0.81	12.50	B	D	---
	20788	A-5022	PULL	1.75	1.18	0.81	12.50	B	D	---
	21001	A-5083	PULL	1.75	0.98	0.81	12.50	B	D	---

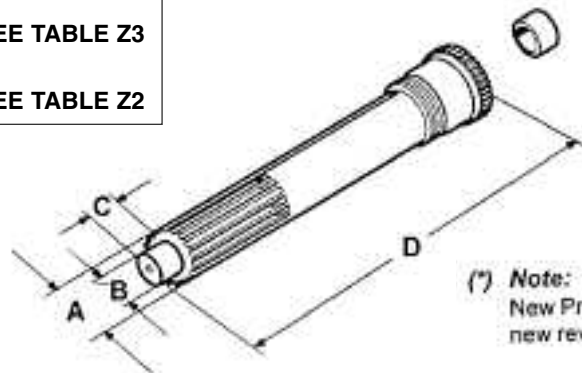
PARTS LISTED IN THIS CATALOG ARE NOT NECESSARILY MANUFACTURED BY THE ORIGINAL EQUIPMENT MANUFACTURER AND ANY REFERENCE TO THE TRADEMARKS OR PART NUMBERS OF OTHERS ARE FOR CROSS REFERENCE INFORMATIONAL PURPOSES ONLY. THE TRADEMARKS OF OTHERS REFERRED TO HEREIN ARE OWNED BY THEIR RESPECTIVE COMPANIES AND ARE NOT AFFILIATED IN ANY WAY WITH MIDWEST TRUCK & AUTO PARTS, INC.® MOTIVE GEAR® AND WORLD AMERICAN® ARE THE REGISTERED TRADEMARKS OF MIDWEST TRUCK & AUTO PARTS, INC.® USE OF THE ® IN CONNECTION WITH A MARK OF MIDWEST TRUCK & AUTO PARTS, INC.® INDICATES THAT THE MARK IS REGISTERED IN AT LEAST THE UNITED STATES. NO REPRESENTATION IS MADE WITH RESPECT TO THE SOURCE OF MANUFACTURE OF ANY PARTICULAR PART. © 2005, MIDWEST TRUCK & AUTO PARTS, INC.® ALL RIGHTS RESERVED.

INPUT SHAFTS

NUT OR SNAP RING  SEE TABLE Z1

COVER  SEE TABLE Z3

SEAL  SEE TABLE Z2



(*) Note:
New Production with
new revised spline.

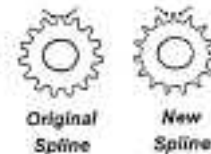


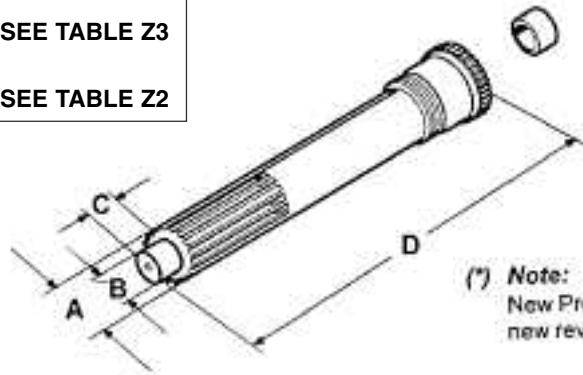
TABLE INPUT SHAFTS FOR 13 SPEEDS

MODELS	INPUT KIT PART NO. Only Shaft	PART NO. W/BUSH	TYPE	A Inches	B Inches	C Inches	D Inches	NUT/ SR	COVER	SEAL
RT/RTO-613	18441	S-1250	PUSH	1.75	1.18	0.81	12.28	A	A	---
RT/RTO-6613	18442	S-1251	PUSH	1.75	0.98	0.81	12.28	A	A	---
	18443	S-1252	PUSH	1.50	0.98	0.81	11.42	A	B	---
	18444	S-1253	PULL	1.75	1.18	0.81	12.28	A	C	---
	18445	S-1254	PUSH	1.50	0.98	0.81	12.28	A	B	---
	18446	S-1255	PULL	1.75	0.98	0.81	12.28	A	C	---
<hr/>										
RTO/RTOO-913	14660	S-1130	PUSH	1.75	1.18	0.81	12.12	C	F	---
RT/RTO-9513	14661	S-1131	PULL	1.75	1.18	0.81	12.12	D	G	---
RTOO-9513	14995	S-1132	PUSH	2.00	1.18	0.81	12.12	C	I	---
	15110	S-1133	PULL	2.00	1.18	0.81	12.12	D	J	---
	15112	S-1134	PUSH	2.00	1.18	0.81	12.12	E	K	D
	16983	S-1343	PULL	1.75	1.18	0.81	12.12	F	H	B
	16984	S-1344	PULL	2.00	1.18	0.81	12.12	F	H	C
	20530	S-1496	PUSH	1.75	1.18	0.81	12.12	F	L	---
	20531	S-1497	PULL	1.75	1.18	0.81	12.12	F	M	---
	23569	S-1661	PULL	2.00	1.18	0.81	12.12	F	N	---
	23570	S-1662	PUSH	2.00	1.18	0.81	12.12	F	O	---
	F88983		PUSH	1.75	0.98	1.50	14.25	C	R	---
<hr/>										
RTO-1213	16465	S-1128	PULL	2.00	1.18	0.81	11.94	D	J	---
RT/RTO-12513	16466	S-1129	PUSH	2.00	1.18	0.81	11.94	C	I	---
	19716		PUSH	2.00	1.18	0.81	11.94	E	K	D
	18387	T20078	PUSH	1.75	0.98	1.23	12.92	C	U	A
	23566	S-1659	PULL	2.00	1.18	0.81	11.94	F	N	---
	23567	S-1660*	PUSH	2.00	1.18	0.81	11.94	F	O	---
<hr/>										
RT/RTO-11613	16465	S-1128	PULL	2.00	1.18	0.81	11.94	D	J	---
RTOO-11613	16466	S-1129	PUSH	2.00	1.18	0.81	11.94	C	I	---
	19316	S-1406	PULL	1.75	1.18	0.81	11.94	D	G	---
	19716		PUSH	2.00	1.18	0.81	11.94	E	K	D
	18387	T20078	PUSH	1.75	0.98	1.23	12.92	C	U	A

PARTS LISTED IN THIS CATALOG ARE NOT NECESSARILY MANUFACTURED BY THE ORIGINAL EQUIPMENT MANUFACTURER AND ANY REFERENCE TO THE TRADEMARKS OR PART NUMBERS OF OTHERS ARE FOR CROSS REFERENCE INFORMATIONAL PURPOSES ONLY. THE TRADEMARKS OF OTHERS REFERRED TO HEREIN ARE OWNED BY THEIR RESPECTIVE COMPANIES AND ARE NOT AFFILIATED IN ANY WAY WITH MIDWEST TRUCK & AUTO PARTS, INC.® MOTIVE GEAR® AND WORLD AMERICAN® ARE THE REGISTERED TRADEMARKS OF MIDWEST TRUCK & AUTO PARTS, INC.® USE OF THE ® IN CONNECTION WITH A MARK OF MIDWEST TRUCK & AUTO PARTS, INC.® INDICATES THAT THE MARK IS REGISTERED IN AT LEAST THE UNITED STATES. NO REPRESENTATION IS MADE WITH RESPECT TO THE SOURCE OF MANUFACTURE OF ANY PARTICULAR PART. © 2005, MIDWEST TRUCK & AUTO PARTS, INC.® ALL RIGHTS RESERVED.

INPUT SHAFTS

NUT OR SNAP RING	☞	SEE TABLE Z1
COVER	☞	SEE TABLE Z3
SEAL	☞	SEE TABLE Z2



(*) Note:
New Production with
new revised spline.

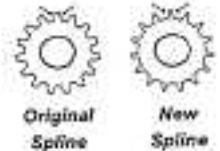


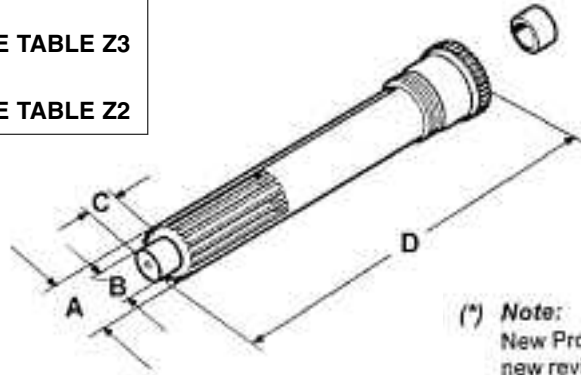
TABLE INPUT SHAFTS FOR 13 SPEEDS (Cont'd)

MODELS	INPUT KIT PART NO. Only Shaft	PART NO. W/BUSH	TYPE	A Inches	B Inches	C Inches	D Inches	NUT/ SR	COVER	SEAL
RT/RTO-11613	20532	S-1498	PUSH	1.75	1.18	0.81	11.94	F	L	---
RTOO-11613	20538	S-1504	PULL	1.75	1.18	0.81	11.94	F	M	---
	23566	S-1659*	PULL	2.00	1.18	0.81	11.94	F	N	---
	23567	S-1660	PUSH	2.00	1.18	0.81	11.94	F	O	---
<hr/>										
RT/RTO-14613	16465	S-1128	PULL	2.00	1.18	0.81	11.94	D	J	---
RT-14613B	16466	S-1129	PUSH	2.00	1.18	0.81	11.94	C	I	---
RTOO-14613	19716		PUSH	2.00	1.18	0.81	11.94	E	K	D
	18387	T20078	PUSH	1.75	0.98	1.23	12.92	C	U	A
	23566	S-1659*	PULL	2.00	1.18	0.81	11.94	F	N	---
	23567	S-1660	PUSH	2.00	1.18	0.81	11.94	F	O	---
<hr/>										
RTO-14813	23566	S-1659*	PULL	2.00	1.18	0.81	11.94	F	N	---
	23567	S-1660	PUSH	2.00	1.18	0.81	11.94	F	O	---
<hr/>										
RT/RTO-15613	18387	T20078	PUSH	1.75	0.98	1.23	12.92	C	U	A
RT-15613B	23566	S-1659*	PULL	2.00	1.18	0.81	11.94	F	N	---
<hr/>										
RTLO-14613	23566	S-1659*	PULL	2.00	1.18	0.81	11.94	F	N	---
	23567	S-1660	PUSH	2.00	1.18	0.81	11.94	F	O	---
<hr/>										
RTLO-12713	23566	S-1659*	PULL	2.00	1.18	0.81	11.94	F	N	---
	23567	S-1660	PUSH	2.00	1.18	0.81	11.94	F	O	---
<hr/>										
RTLO-14713	23566	S-1659*	PULL	2.00	1.18	0.81	11.94	F	N	---
	23567	S-1660	PUSH	2.00	1.18	0.81	11.94	F	O	---
<hr/>										
RTLO-16713	23566	S-1659*	PULL	2.00	1.18	0.81	11.94	F	N	---
	23567	S-1660	PUSH	2.00	1.18	0.81	11.94	F	O	---

PARTS LISTED IN THIS CATALOG ARE NOT NECESSARILY MANUFACTURED BY THE ORIGINAL EQUIPMENT MANUFACTURER AND ANY REFERENCE TO THE TRADEMARKS OR PART NUMBERS OF OTHERS ARE FOR CROSS REFERENCE INFORMATIONAL PURPOSES ONLY. THE TRADEMARKS OF OTHERS REFERRED TO HEREIN ARE OWNED BY THEIR RESPECTIVE COMPANIES AND ARE NOT AFFILIATED IN ANY WAY WITH MIDWEST TRUCK & AUTO PARTS, INC.® MOTIVE GEAR® AND WORLD AMERICAN® ARE THE REGISTERED TRADEMARKS OF MIDWEST TRUCK & AUTO PARTS, INC.® USE OF THE ® IN CONNECTION WITH A MARK OF MIDWEST TRUCK & AUTO PARTS, INC.® INDICATES THAT THE MARK IS REGISTERED IN AT LEAST THE UNITED STATES. NO REPRESENTATION IS MADE WITH RESPECT TO THE SOURCE OF MANUFACTURE OF ANY PARTICULAR PART. © 2005, MIDWEST TRUCK & AUTO PARTS, INC.® ALL RIGHTS RESERVED.

INPUT SHAFTS

NUT OR SNAP RING ☞ SEE TABLE Z1
 COVER ☞ SEE TABLE Z3
 SEAL ☞ SEE TABLE Z2



(*) Note:
 New Production with
 new revised spline.

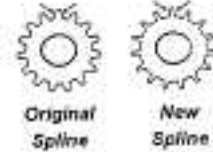


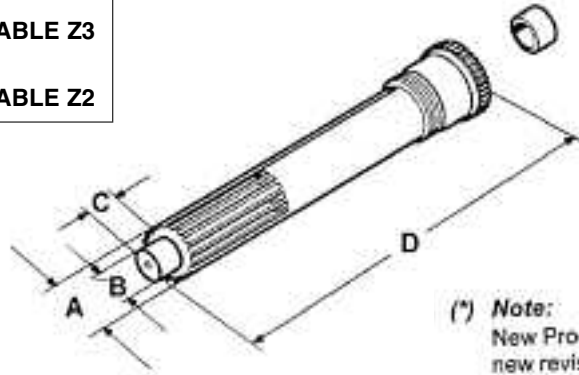
TABLE INPUT SHAFTS FOR 15 SPEEDS

MODELS	INPUT KIT PART NO. Only Shaft	PART NO. W/BUSH	TYPE	A Inches	B Inches	C Inches	D Inches	NUT/ SR	COVER	SEAL	
RT/RTO-915	15110	S-1133	PULL	2.00	1.18	0.81	12.12	D	J	---	
	15112	S-1134	PUSH	2.00	1.18	0.81	12.12	E	K	D	
	16983	S-1343	PULL	1.75	1.18	0.81	12.12	F	H	B	
	16984	S-1344	PULL	2.00	1.18	0.81	12.12	F	H	C	
	20530	S-1496	PUSH	1.75	1.18	0.81	12.12	F	L	---	
	20531	S-1497	PULL	1.75	1.18	0.81	12.12	F	M	---	
	23569	S-1661	PULL	2.00	1.18	0.81	12.12	F	N	---	
	23570	S-1662	PUSH	2.00	1.18	0.81	12.12	F	O	---	
RT/RTO-12515	16465	S-1128	PULL	2.00	1.18	0.81	11.94	D	J	---	
	16466	S-1129	PUSH	2.00	1.18	0.81	11.94	C	I	---	
	18837	S-1409	PULL	2.00	1.18	0.81	11.94	F	H	C	
	23566	S-1659	PULL	2.00	1.18	0.81	11.94	F	N	---	
	23567	S-1660	PUSH	2.00	1.18	0.81	11.94	F	O	---	
RT/RTO-11615	16465	S-1128	PULL	2.00	1.18	0.81	11.94	D	J	---	
	RTX-11615	16466	S-1129	PUSH	2.00	1.18	0.81	11.94	C	I	---
	RT/RTO-14615	18837	S-1409	PULL	2.00	1.18	0.81	11.94	F	H	C
	RTX-14615	19316	S-1406	PULL	1.75	1.18	0.81	11.94	D	G	---
		19714		PUSH	1.75	1.18	0.81	11.94	C	F	---
		19716		PUSH	2.00	1.18	0.81	11.94	E	K	D
		20532	S-1498	PUSH	1.75	1.18	0.81	11.94	F	L	---
		20538	S-1504	PULL	1.75	1.18	0.81	11.94	F	M	---
		23566	S-1659	PULL	2.00	1.18	0.81	11.94	F	N	---
		23567	S-1660	PUSH	2.00	1.18	0.81	11.94	F	O	---
RT/RTO-15615	18837	S-1409	PULL	2.00	1.18	0.81	11.94	F	H	C	
	RTX-15615	23566	S-1659	PULL	2.00	1.18	0.81	11.94	F	N	---
		23567	S-1660	PUSH	2.00	1.18	0.81	11.94	F	O	---
RT/RTO-11715	20532	S-1498	PUSH	1.75	1.18	0.81	11.94	F	L	---	
RTX-11715	20538	S-1504	PULL	1.75	1.18	0.81	11.94	F	M	---	

PARTS LISTED IN THIS CATALOG ARE NOT NECESSARILY MANUFACTURED BY THE ORIGINAL EQUIPMENT MANUFACTURER AND ANY REFERENCE TO THE TRADEMARKS OR PART NUMBERS OF OTHERS ARE FOR CROSS REFERENCE INFORMATIONAL PURPOSES ONLY. THE TRADEMARKS OF OTHERS REFERRED TO HEREIN ARE OWNED BY THEIR RESPECTIVE COMPANIES AND ARE NOT AFFILIATED IN ANY WAY WITH MIDWEST TRUCK & AUTO PARTS, INC.® MOTIVE GEAR® AND WORLD AMERICAN® ARE THE REGISTERED TRADEMARKS OF MIDWEST TRUCK & AUTO PARTS, INC.® USE OF THE ® IN CONNECTION WITH A MARK OF MIDWEST TRUCK & AUTO PARTS, INC.® INDICATES THAT THE MARK IS REGISTERED IN AT LEAST THE UNITED STATES. NO REPRESENTATION IS MADE WITH RESPECT TO THE SOURCE OF MANUFACTURE OF ANY PARTICULAR PART. © 2005, MIDWEST TRUCK & AUTO PARTS, INC.® ALL RIGHTS RESERVED.

INPUT SHAFTS

NUT OR SNAP RING		SEE TABLE Z1
COVER		SEE TABLE Z3
SEAL		SEE TABLE Z2



(*) *Note:*
New Production with
new revised spline.





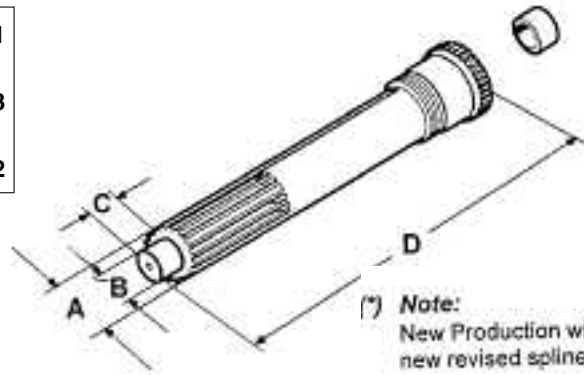
TABLE INPUT SHAFTS FOR 15 SPEEDS

MODELS	INPUT KIT PART NO. <u>Only Shaft</u>	PART NO. <u>W/BUSH</u>	TYPE	A Inches	B Inches	C Inches	D Inches	NUT/ SR	COVER	SEAL
	23566	S-1659	PULL	2.00	1.18	0.81	11.94	F	N	---
	23567	S-1660	PUSH	2.00	1.18	0.81	11.94	F	O	---
<hr/>										
RT/RTO-14715	23566	S-1659	PULL	2.00	1.18	0.81	11.94	F	N	---
RTX-14715	23567	S-1660	PUSH	2.00	1.18	0.81	11.94	F	O	---
<hr/>										
RT/RTO-15715	23566	S-1659	PULL	2.00	1.18	0.81	11.94	F	N	---
RTX-15715	23567	S-1660	PUSH	2.00	1.18	0.81	11.94	F	O	---

PARTS LISTED IN THIS CATALOG ARE NOT NECESSARILY MANUFACTURED BY THE ORIGINAL EQUIPMENT MANUFACTURER AND ANY REFERENCE TO THE TRADEMARKS OR PART NUMBERS OF OTHERS ARE FOR CROSS REFERENCE INFORMATIONAL PURPOSES ONLY. THE TRADEMARKS OF OTHERS REFERRED TO HEREIN ARE OWNED BY THEIR RESPECTIVE COMPANIES AND ARE NOT AFFILIATED IN ANY WAY WITH MIDWEST TRUCK & AUTO PARTS, INC.® MOTIVE GEAR® AND WORLD AMERICAN® ARE THE REGISTERED TRADEMARKS OF MIDWEST TRUCK & AUTO PARTS, INC.® USE OF THE ® IN CONNECTION WITH A MARK OF MIDWEST TRUCK & AUTO PARTS, INC.® INDICATES THAT THE MARK IS REGISTERED IN AT LEAST THE UNITED STATES. NO REPRESENTATION IS MADE WITH RESPECT TO THE SOURCE OF MANUFACTURE OF ANY PARTICULAR PART. © 2005, MIDWEST TRUCK & AUTO PARTS, INC.® ALL RIGHTS RESERVED.

INPUT SHAFTS

NUT OR SNAP RING		SEE TABLE Z1
COVER		SEE TABLE Z3
SEAL		SEE TABLE Z2



(*) Note:
New Production with
new revised spline.

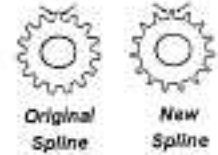


TABLE INPUT SHAFTS FOR 18 SPEEDS

MODELS	INPUT KIT PART NO. Only Shaft	PART NO. W/BUSH	TYPE	A Inches	B Inches	C Inches	D Inches	NUT/SR	COVER	SEAL
RTO-15618	23566	S-1659*	PULL	2.00	1.18	0.81	11.94	F	N	---
	23567	S-1660	PUSH	2.00	1.18	0.81	11.94	F	O	---
RTLO-14618	23566	S-1659*	PULL	2.00	1.18	0.81	11.94	F	N	---
	23567	S-1660	PUSH	2.00	1.18	0.81	11.94	F	O	---
RTLO-16618	23566	S-1659*	PULL	2.00	1.18	0.81	11.94	F	N	---
	23567	S-1660	PUSH	2.00	1.18	0.81	11.94	F	O	---
RTLO-14718	23566	S-1659*	PULL	2.00	1.18	0.81	11.94	F	N	---
	23567	S-1660	PUSH	2.00	1.18	0.81	11.94	F	O	---
RTLO-16718	23566	S-1659*	PULL	2.00	1.18	0.81	11.94	F	N	---
	23567	S-1660	PUSH	2.00	1.18	0.81	11.94	F	O	---
RTLO-18718	4302661	S-2265	PULL	2.00				F	N	---
RTLO-14918	23566	S-1659*	PULL	2.00	1.18	0.81	11.94	F	N	---
	23567	S-1660	PUSH	2.00	1.18	0.81	11.94	F	O	---
RTLO-16918	23566	S-1659*	PULL	2.00	1.18	0.81	11.94	F	N	---
	23567	S-1660	PUSH	2.00	1.18	0.81	11.94	F	O	---
RTLO-18918	23566	S-1659*	PULL	2.00	1.18	0.81	11.94	F	N	---
	23567	S-1660	PUSH	2.00	1.18	0.81	11.94	F	O	---
RTLO-20918	23566	S-1659*	PULL	2.00	1.18	0.81	11.94	F	N	---
RTLO-20918-TX	23567	S-1660	PUSH	2.00	1.18	0.81	11.94	F	O	---

PARTS LISTED IN THIS CATALOG ARE NOT NECESSARILY MANUFACTURED BY THE ORIGINAL EQUIPMENT MANUFACTURER AND ANY REFERENCE TO THE TRADEMARKS OR PART NUMBERS OF OTHERS ARE FOR CROSS REFERENCE INFORMATIONAL PURPOSES ONLY. THE TRADEMARKS OF OTHERS REFERRED TO HEREIN ARE OWNED BY THEIR RESPECTIVE COMPANIES AND ARE NOT AFFILIATED IN ANY WAY WITH MIDWEST TRUCK & AUTO PARTS, INC.® MOTIVE GEAR® AND WORLD AMERICAN® ARE THE REGISTERED TRADEMARKS OF MIDWEST TRUCK & AUTO PARTS, INC.® USE OF THE ® IN CONNECTION WITH A MARK OF MIDWEST TRUCK & AUTO PARTS, INC.® INDICATES THAT THE MARK IS REGISTERED IN AT LEAST THE UNITED STATES. NO REPRESENTATION IS MADE WITH RESPECT TO THE SOURCE OF MANUFACTURE OF ANY PARTICULAR PART. © 2005, MIDWEST TRUCK & AUTO PARTS, INC.® ALL RIGHTS RESERVED.



MIDWEST TRUCK & AUTO PARTS, INC. warrants that all new MIDWEST TRUCK & AUTO PARTS, INC. products, except as otherwise provided herein, will be free from defects in material and workmanship for the first **6 months or 50,000 miles, whichever occurs first, with the sole exception of its heavy duty alternators and starters, the warranty for which shall extend for the first year, with no mileage limit.** THIS WARRANTY WILL NOT APPLY IF ANY PART HAS BEEN MODIFIED, DAMAGED OR IS DEFECTIVE AS A RESULT OF ANY ACCIDENT, MISUSE, USE IN COMPETITIVE APPLICATIONS, IMPROPER INSTALLATION, NEGLIGENCE, REPAIR OR ALTERATION.

COMPETITION PARTS ARE SOLD "AS IS", WITHOUT ANY WARRANTY WHATSOEVER. IMPLIED WARRANTIES, INCLUDING WARRANTIES OF MERCHANTABILITY OR FITNESS FOR A PARTICULAR PURPOSE, ARE EXCLUDED; THE ENTIRE RISK AS TO THE QUALITY AND PERFORMANCE OF SUCH PARTS IS WITH THE BUYER. SHOULD SUCH PARTS PROVE DEFECTIVE FOLLOWING THEIR PURCHASE, THE BUYER AND NOT THE MANUFACTURER, DISTRIBUTOR OR RETAILER, ASSUMES THE ENTIRE COST OF ALL NECESSARY SERVICING OR REPAIR.

The MIDWEST TRUCK & AUTO PARTS, INC. parts warranty is voided if the part is used for competition or if it has been modified.

To make a warranty claim on parts used in non-competitive applications, distributors should contact MIDWEST TRUCK & AUTO PARTS, INC., and individuals should contact their MIDWEST TRUCK & AUTO PARTS, INC. distributor for a Return Goods Authorization (RGA) Number. **No returns will be accepted without an RGA Number.** All parts should be returned to MIDWEST TRUCK & AUTO PARTS, INC. freight prepaid. MIDWEST TRUCK & AUTO PARTS, INC. will issue a credit equal to the original purchase price for all defective parts covered by this warranty. In the event that a warranty claim cannot be substantiated by MIDWEST TRUCK & AUTO PARTS, INC., the parts will be returned to the customer freight collect.

THIS WARRANTY IS IN LIEU OF ALL OTHER WARRANTIES, EXPRESSED OR IMPLIED, INCLUDING, BUT NOT LIMITED TO, ANY IMPLIED WARRANTY OF MERCHANTABILITY OR FITNESS FOR A PARTICULAR PURPOSE, AND IN NO EVENT WILL MIDWEST BE LIABLE FOR INCIDENTAL, SPECIAL OR CONSEQUENTIAL DAMAGE INCLUDING, BUT NOT LIMITED TO, ANY LABOR COSTS.



