



Illustrated Parts List

AXIP0075

April 2004

E-1000I, E-1002I, E-1000W,
E-1200I, E1201W, E-1202I, E1202W, E-1203I
E-1320I, E-1320W, E-1322I, E-1322W
E-1460I, E-1460W, E-1462I, E1462W

Table of Contents

Introduction 2

- About this Parts Book2
- Abbreviations2
- Genuine Spicer Parts2
- Ordering Spicer Parts2
- How to use this Parts Book2
- Spicer Parts Kits2

Identification 3

- Axle Assembly Tag3
- Model Identification Numbering System3
- Nominal Load Rating3

Steer Axle Components 4

- E-1000I/W, E-1200I/W, E-1201W, E-1320I/W, E-1460I/W Parts Explode4
- E-1002I/W, E-1202I/W, E-1203I, E-1322I/W, E-1462I/W Parts Explode6

Cross Link Assembly / Components 8

Model Part Numbers 10

- CRANE CARRIER 10
- FREIGHTLINER 10-12
- INTERNATIONAL 12-14
- KENWORTH 14-16
- MACK TRUCKS 16
- MONACO COACH 16
- PETERBILT 16-18
- SPARTAN MOTOR 18
- WESTERN STAR 18-19
- MISCELLANEOUS 19

Introduction

About this Parts Book

This Spicer parts book is presented as an aid in the identification and procurement of replacement parts for Spicer steer axles. The information included covers the most commonly used parts.

Parts have been grouped by category such as beams and centers, knuckles and cross rods; however, Spicer recommends using kits. Whether you are using kits or individual parts, the model serviced is prominently identified in each group.

This book covers I, EF and D axles separately; determine your axle type and work from the appropriate table of contents.

Abbreviations

AR-As Required. Parts that vary in quantity with each axle.
Example: shims.

NSS-Not Serviced Separately. Items which can only be purchased in sets, kit form, or service assemblies.

Genuine Spicer Parts

When you buy genuine Spicer replacement parts, you receive the same high quality and exacting tolerances you find in the original steer axle components.

Only genuine Spicer parts have the latest Spicer engineering improvements and assure equal or better performance than the original parts.

And Spicer backs you up with a responsive and capable service organization strategically located to provide you with emergency parts and service when you need them.

Insist on Spicer quality. Use genuine Spicer replacement parts.

Ordering Spicer Parts

Place all your parts orders through your truck dealer or manufacturer (OEM). Do not order parts directly from Spicer.

How to use this Parts Book

1. Models covered in this publication are listed on the opposite page.
2. For ease of service, Spicer recommends the use of kits.
3. Individual parts have been grouped by category, kits, cross link assemblies, knuckles and beams.
4. Whether you are using kits or individual parts, the model serviced is prominently identified in each group.

Spicer Parts Kits

Spicer Parts Kits give you an economical, convenient way to stock Spicer replacement parts. They contain all the parts you need to do a complete, professional job of overhauling or repairing your Spicer steer axle. And you have only one part number in one easily stored package to order, stock, identify, and satisfy your customer's needs.

Effectively using a Parts Listing - Example

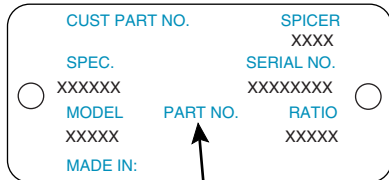
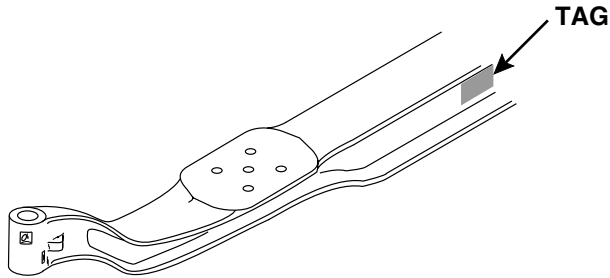
Follow the example below to locate and order exactly what is required for servicing.

Match to items on illustration	Use to identify Part	Order this quantity for servicing	Order Part Number by Model indicated		Indicated information important to ordering or use
Item	Description	Qty Per Axle	E1000I	E1200I	Remarks
1	Locknut - Draw Key	2	67592	67592	
2	Knuckle Seal	4	815237	815237	
Kits and Assemblies					
	Kit w/Steel Backed Acetal Bushing	823078			

Identification

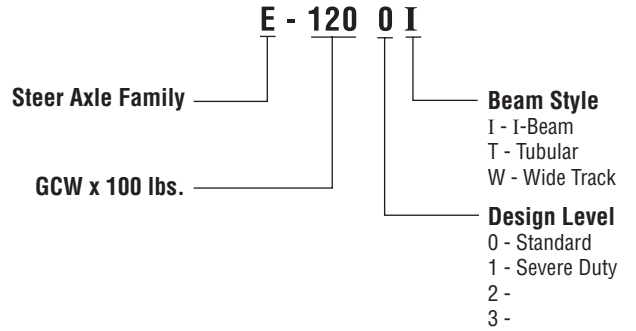
Spicer Steer Axles are identified with a Spicer name plate. The name plate, located on the front of the steer axle assembly, includes vital information such as; Model, Part No., Serial No., and Customer Part no. on it. When making parts or service inquiries about your Spicer Steer Axle, be sure to have this information available.

Axle Assembly Tag



AXLE ASSEMBLY NUMBER

Model Identification Numbering System

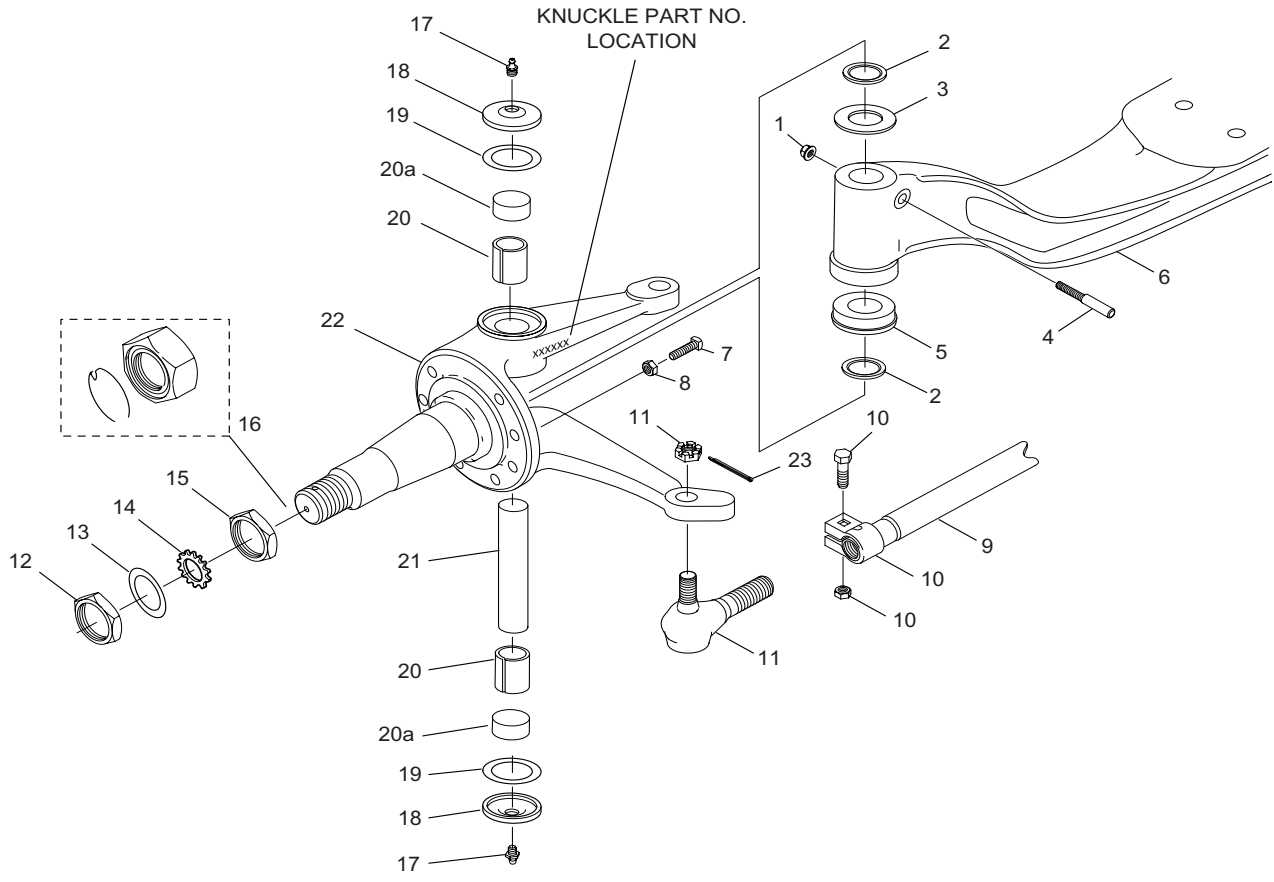


Nominal Load Rating

Model		Nominal Load Rating lbs. [kg]
E-1000I	E-1002I	10,000 [4,538]
E-1000W	E-1002W	
E-1200I	E-1202I	12,000 [5,443]
E-1200W	E-1202W	
E-1201W	E-1203I	
E-1320I	E-1322I	13,200 [5,987]
E-1320W	E-1322W	
E-1460I	E-1462I	14,600 [6,622]
E-1460W	E-1462W	

Steer Axle Components

E-1000I/W, E-1200I/W, E-1201W, E-1320I/W, E-1460I/W Parts Explode



E-1000I/W, E-1200I/W, E-1201W, E-1320I/W, E-1460I/W Parts List

Item	Description	Qty Per Axle	E-1000I E-1000W	E-1200I E-1200W E-1201W	E-1320I E-1320W	E-1460I E-1460W See Note 1	Remarks	
1	Locknut - Draw Key	2	67592	67592	67592	67592		
2	Knuckle Seal	4	815237	815237	815237	820518		
3	Shim	0.005"	AR	817493	817493	817493	817493 Replaced 815330	
		0.010"	AR	817494	817494	817494	817494 Replaced 815331	
		0.030"	AR	817492	817492	817492	817492 Replaced 815329	
4	Draw Key	2	816239	816239	816239	816239		
5	Thrust Bearing	2	815285	815285	815285	811523	see Note 1	
6	Beam	1	Refer to Assembly Part No. on I.D. Tag - Use Pages 10-19					
7	Stop Screw	2						
		30-30 Turn Angle	A/R	816365	816365	816365	816365	
		30-30 Turn Angle	A/R	816366	816366	816366	816366	
		41-45 Turn Angle	A/R	816367	816367	816367	816367	
		43-48 Turn Angle	A/R	816368	816368	816368	816368	
		46-50 Turn Angle	A/R	816369	816369	816369	816369	
		51-55 Turn Angle	A/R	816370	816370	816370	816370	
8	Nut - Stop Screw	2	90208	90208	90208	90208		
9	Cross Link Assy	1	See Pages 8-9				Includes Items 10-11	
10	Cross Link Clamp Assy		817020	817020	817020	817473	Includes Clamp/Nut/Bolt	
11	Tie Rod Ends	2	See Pages 8-9					
12	Jam Nut - Outer	2	815638	815638	815638	815638		
13	Retainer Washer	2	817134	817134	817134	817134		
14	Spindle Washer	2	815623	815623	815623	815623		
15	Jam Nut - Inner	2	815622	815622	815622	815622		
16	Pro Torqfi Nut Assy	2	128333	128333	128333	128333	Optional for items 12-15	
17	Grease Fitting	4	819790	819790	819790	819790	Replaced 1003998	
18	Knuckle Cap	4	816295	816295	816295	816295		
19	Knuckle Cap Gasket	4	816294	816294	816294	816294		
20	Bushing	Steel Backed Acetal	4	1320HD101	1320HD101	1320HD101	806334	
		Bronze		1320HD100	1320HD100	1320HD100	1460HD100	
20a	Foam Insert	4	971010	971010	971010	971010		
21	Knuckle Pin	2	815284	815284	815284	817452	see Note 1	
22	Knuckle Assembly	2	Refer to Assembly Part No. on I.D. Tag - Use Pages 10-19					
23	Cotter Pin	2	1004805	1004805	1004805	1004805		
KING PIN REPLACEMENT KITS (Services one axle)								
(Kits include items 1-5, 17, 19-21)								
Kit w/ Steel Backed Acetal Bushing*			328344	328344	328344	329404	see Note 1	
Kit w/Bronze Bushing*			328342	328342	328342	329405		

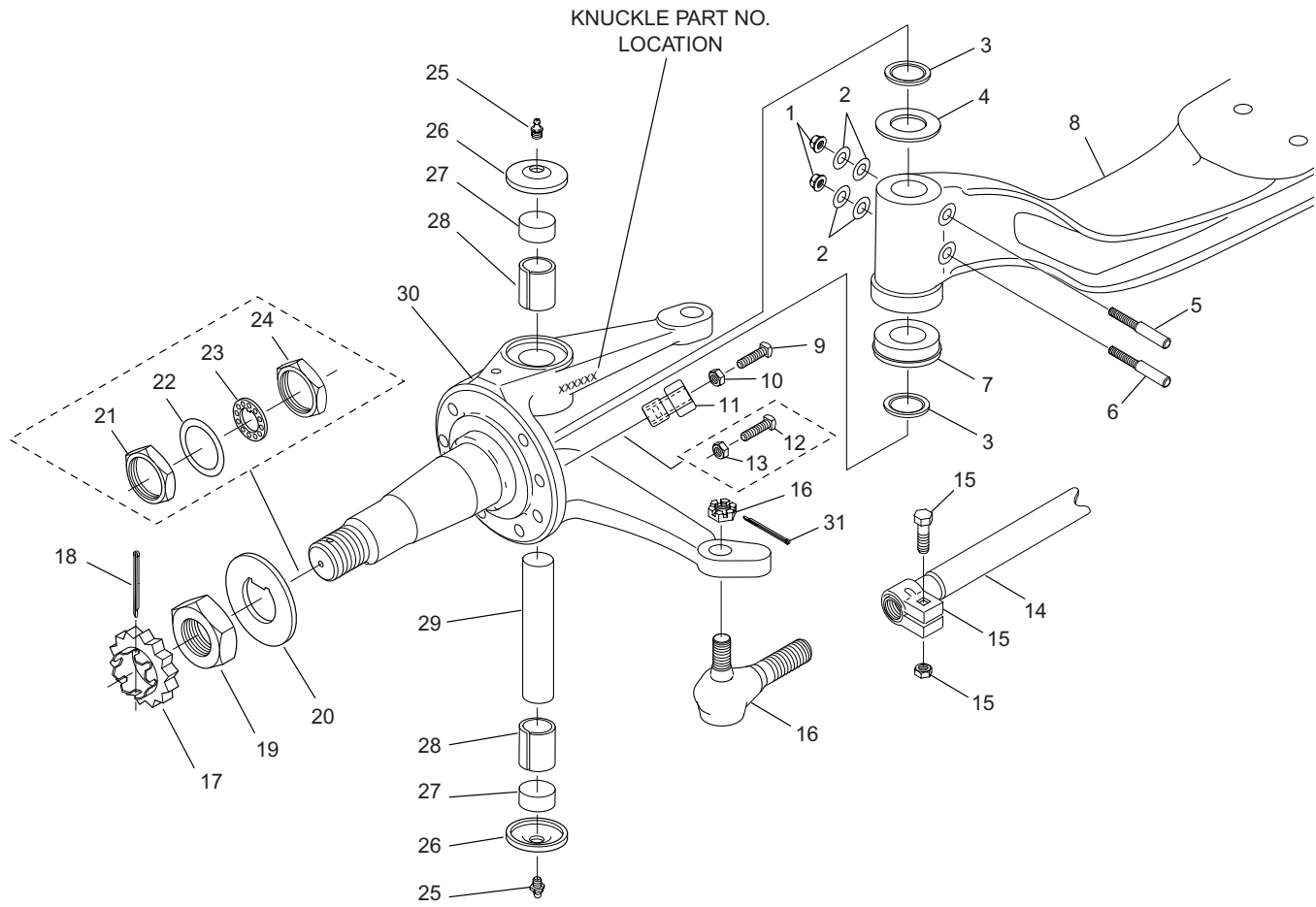
*Note 1: On 1/1/00, a running design change to the E-1460 steer axle beams took place incorporating a more robust thrust bearing. Bulletin

ABIB-0212 explains these changes in detail. The following items are affected by this change:

- Thrust bearings before 1/1/00 are 811523. Thrust bearings after 1/1/00 are 220HC104.
- King Pin Kits before 1/1/00, kits are 329404 (Garlock) / 329405 (Bronze) After 1/1/00, kits are 328345 (Garlock) / 328343 (Bronze)

Pro Torqfi is a registered trademark of Caromet Incorporated.

E-1002I/W, E-1202I/W, E-1203I, E-1322I/W, E-1462I/W Parts Explode



E-1002I/W, E-1202I/W, E-1203I, E-1322I/W, E-1462I/W Dual Draw Keys Parts List

Item	Description	Qty Per Axle	E-1002I E-1002W	E-1202I E-1202W	E-1203I	E-1322I E-1322W	E-1462I E-1462W		
1	Locknut - Draw Key	4	220HN103	220HN103	220HN103	220HN103	220HN103		
2	Spring Washer	8	1460HN100	1460HN100	1460HN101	1460HN100	1460HN100		
3	Knuckle Seal	4	820518	820518	815237	820518	820518		
4	Shim	0.005"	A/R	817493	817493	817493	817493		
		0.010"	A/R	817494	817494	817494	817494		
		0.030"	A/R	817492	817492	817492	817492		
5	Draw Key - Upper	2	160HP104-1	160HP104-1	160HP104-1	160HP104-1	160HP104-1		
6	Draw Key - Lower	2	160HP104-2	160HP104-2	160HP104-2	160HP104-2	160HP104-2		
7	Thrust Bearing	Sealed	1	220HC104	220HC104	971011	220HC104	220HC104	
8	Beam	1	Refer to Assembly Part No. on I.D. Tag - Use Pages 10-19						
	Stop Bolt Assembly	Includes items 9-11	2	120HM101	120HM101	120HM101	120HM101	120HM101	
9	Stop Bolt	30-50 Turn Angle	2	101HM100-5	101HM100-5	101HM100-5	101HM100-5	101HM100-5	
10	Stop Screw Nut		2	HN148	HN148	HN148	HN148	HN148	
11	Adapter Nut		2	120HN100	120HN100	120HN100	120HN100	120HN100	
12	Stop Screw	22-29	2	818140	818140	818140	818140	818140	
		30-35	2	816365	816365	816365	816365	816365	
		36-40	2	816366	816366	816366	816366	816366	
		41-45	2	816367	816367	816367	816367	816367	
		46-50	2	816369	816369	816369	816369	816369	
	51-55	2	816370	816370	816370	816370	816370		
13	Nut - Stop Screw		2	90208	90208	90208	90208	90208	
14	Tie Rod Assembly	Includes items 15-16	1			See Pages 8-9			
15	Tie Rod Clamp Assy	Includes Clamp/Nut/Bolt	2			See Pages 8-9			
16	Tie Rod Ends	RH Threads	1			See Pages 8-9			
		LH Threads	1			See Pages 8-9			
17	Stamped Nut Lock		2	140HN105	140HN105	140HN105	140HN105	140HN105	
18	Cotter Pin		2	HP115	HP115	HP115	HP115	HP115	
19	Jam Nut	1.50" - 12 Fine Pitch	2	140HN104	140HN104	140HN104	140HN104	140HN104	
20	D-Flat Washer		2	140HN103	140HN103	140HN103	140HN103	140HN103	
21	Jam Nut - Outer	1.50" - 18 Extra Fine Pitch	2	815638	815638	815638	815638	815638	
22	Retainer Washer		2	817134	817134	817134	817134	817134	
23	Spindle Washer		2	815623	815623	815623	815623	815623	
24	Jam Nut - Inner	1.50" - 18 Extra Fine Pitch	2	815622	815622	815622	815622	815622	
25	Grease Fitting		4	819790	819790	819790	819790	819790	
26	Knuckle Cap	0.290" Thick Cap Design	4	971370	971370	971370	971370	971370	
27	Foam Insert		4	971010	971010	971010	971010	971010	
28	Bushing - Knuckle	Pre-sized Garlock Bushing #	4	806334	806334	1320HD101	806334	806334	
		Pre-sized Bronze Bushing #	4	1460HD100	1460HD100	1320HD100	1460HD100	1460HD100	
29	Knuckle Pin - NSS	See King Pin Service Kit below	2	1460SC102	1460SC102	1320SC100	1460SC102	1460SC102	
		King Pin Service Kit	Pre-sized Garlock Bushing		328349	328349	328348	328349	328349
		King Pin Service Kit	Bronze Bushing		328347	328347	328346	328347	328347
30	Knuckle Assembly		2	Refer to Assembly Part No. on I.D. Tag - Use Pages 10-19					
31	Cotter Pin		2	HP102	HP102	HP102	HP102	HP102	

Cross Link Assembly / Components

Axle Model	Cross Tube Length (inches)	Cross Tube Diameter (inches)	Drop (inches)	Tube Wall Thickness (inches)	Cross Link Assy*	Cross Tube Assy**	Threads	Tie Rod End
E-1000I	60.00	1.525	3.5	0.2400	818462	818463	LH	817018
							RH	817019
E-1000W	62.00	1.620	3.5	0.2200	971086	971087	LH	817018
				0.1875	971138	917739	RH	817019
							LH	970701
				RH	970702			
E-1002I	60.00	1.660	Straight	0.1900	815326	817020	LH	817018
							RH	817019
E-1002W	62.00	1.620	Straight	0.2200	971086	971087	LH	817018
							RH	817019
E-1200I	53.60	1.660	3.5	0.1900	971070	971076	LH	817018
							RH	817019
	60.00	1.660	3.5	0.1900	815326	817020	LH	817018
				0.1875	815327	817020	RH	817019
	62.00	1.660	3.5	0.1900	971443	971444	LH	817018
				0.1875	971090	971091	RH	817019
62.00	1.660	3.5	0.1900	971088	971089	LH	817018	
			0.1875	971090	971091	RH	817019	
E-1201W	56.00	1.750	5.0	0.2100	971762	971463	LH	970579
							RH	970580
E-1202I	60.00	1.660	Straight	0.1900	815326	817020	LH	817018
							RH	817019
E-1202W	62.00	1.660	Straight	0.1900	971443	971444	LH	817018
							RH	817019
E-1203I	60.00	1.660	Straight	0.1900	815326	817020	LH	817018
							RH	817019
E-1320I	60.00	1.660	3.5	0.1900	815326	817020	LH	817018
				0.1875	815327	817020	RH	817019
	53.50	1.750	5.0	0.2100	970578	970581	LH	970579
							RH	970580
E-1320W	61.00	1.900	3.5	0.2000	971092	971093	LH	818472
		1.750	3.5	0.1875	971094	971095	RH	818471
	LH						971128	
	RH	971129						

*Cross Link Assembly includes: Right and Left Tie Rod End assembly (castle nut and grease fitting)

**Cross Tube Assembly includes: Clamp Assembly

Axle Model	Cross Tube Length (inches)	Cross Tube Diameter (inches)	Drop (inches)	Tube Wall Thickness (inches)	Cross Link Assy*	Cross Tube Assy**	Threads	Tie Rod End
E-1322I	60.00	1.660	Straight	0.1900	815326	817020	LH	817018
							RH	817019
E-1322W	61.00	1.900	Straight	0.2000	971092	971093	LH	818472
							RH	818471
E-1460I	59.00	1.900	3.5	0.2000	817755	818473	LH	818472
							RH	818471
	44.25	2.000	5.0	0.2500	818704	818707	LH	818706
							RH	818705
	61.00	1.900	3.5	0.2000	971092	971093	LH	818472
							RH	818471
46.25	2.000	5.0	0.2500	971096	971097	LH	971136	
						RH	971137	
E-1462I	59.00	1.900	Straight	0.2000	817755	818473	LH	818472
							RH	818471
E-1462W	61.00	1.900	Straight	0.2000	971092	971093	LH	818472
							RH	818471

*Cross Link Assembly includes: Right and Left Tie Rod End assembly (castle nut and grease fitting)

**Cross Tube Assembly includes: Clamp Assembly

Model Part Numbers

	Model	Steer Axle Assy #	Knuckle Left Side	Knuckle Right Side	Beam Assy #	
CRANE CARRIER	E-1200I	316994	970818	815263	816266	
	E-1320I	315396	970792	819028	970619	
		316708	970794	819359	818038	
		316974	970794	819359	970619	
		E-1460I	316216	970734	817741	817653
	E-1460I	316682	970784	970632	970786	
		317966	970784	970632	817653	
		E-1462I	1462BN100-4	970734	817741	971674
	E-1462I	1462BN100-5	970784	970632	971675	
		1462BN100-6	970784	970632	971674	
		FREIGHTLINER	E-1200I	314868	970540	970538
	314906			970554	817309	816251
914907	970556			817353	816251	
914908	970558			817305	816251	
914924	818846			817102	818835	
314925	818844			817108	818835	
314926	818842			817094	818835	
315993	970690			817102	818835	
315994	970692			817108	818835	
315995	970694			817094	818835	
316162	970690			817102	818835	
316163	970692			817108	818835	
316164	970694			817094	818835	
316234	970740			970706	818835	
316235	970742			970708	818835	
316236	970744			970704	818835	
316643	970712			970708	816251	
316644	970710			970704	816251	
317505	818732			817108	816215	
325180	818067			817108	971038	
325469	818844			817108	816251	
325472	970692			817108	816251	
325538	819909			817102	816251	
823790	817643			817108	816251	
824044	817952			816682	815251	
325538	819909			817102	816251	
823790	817643			817108	816251	
824044	817952			816682	815251	
824136	817948			816783	816251	
824158	818075			816783	818835	
824356	817643			817108	816251	
824616	817954			817102	816251	
824617	817946			817305	816251	
824618	817950			817353	816251	
824619	817956			817309	816251	

Model Part Numbers

	Model	Steer Axle Assy #	Knuckle Left Side	Knuckle Right Side	Beam Assy #
FREIGHTLINER	E-1200I	825226	818846	817102	818835
		825227	818844	817108	818835
		825228	818842	817094	818835
		825229	818734	817102	816251
		825230	818732	817108	816251
		825231	818730	817094	81625
		825432	818734	817102	816251
		825433	818732	817108	816251
		825434	818730	817094	816251
		825684	818067	817108	818835
		825685	818071	817094	818835
		825686	818081	817102	818835
	E-1320I	314980	970592	817309	970591
		314981	970600	817353	970591
		314982	970598	817305	970591
		315256	818067	817108	970602
		315257	818071	817094	970062
		315258	818081	817102	970602
		315650	818734	817102	970591
		315651	818732	817108	970591
		315652	818730	817094	970591
		315754	970664	817102	818036
		315755	970666	817108	818036
		315756	970668	817094	818036
		315788	818846	817102	970602
		315789	818844	817108	970602
		315790	818842	817094	970602
		316059	970714	970706	970591
		316060	970712	970708	970591
		316061	970710	970704	970591
		316103	970690	817102	970602
		316104	970692	817108	970602
		316105	970694	817094	970602
		316341	818846	817102	970808
		316346	818844	817108	970808
		316347	818842	817094	970808
316954	970694	817094	970808		
317125	970848	970708	970781		
317126	970850	970704	970781		
318292	970958	817102	970781		
318293	970960	817094	970781		
318294	970962	817108	970781		
325032	971000	817102	970781		
325034	970996	817094	970781		
325150	971026	971036	970781		
325198	970998	817108	971039		

Model Part Numbers

	Model	Steer Axle Assy #	Knuckle Left Side	Knuckle Right Side	Beam Assy #	
FREIGHTLINER	E-1320I	325199	970996	817094	971039	
		325444	971000	817120	971039	
		326661	819909	817102	970591	
		825232	818734	817102	818036	
		825233	818732	817108	818036	
		825234	818730	817094	818036	
		825496	818734	817102	818036	
		825497	818732	817108	818036	
	825498	818730	817094	818036		
	E-1460I	315653	970638	817744	970603	
		315654	970640	818060	970603	
		315655	970642	817738	970603	
		315748	970670	817744	817651	
		315749	970672	818060	817651	
		315750	970674	817738	817651	
		315751	970676	817744	817651	
		315752	970678	818060	817651	
		315753	970680	817738	817651	
		317242	970670	817744	817651	
		317243	970672	818060	817651	
		317244	970674	817738	817651	
		317245	970676	817744	817651	
		318167	970950	818060	970603	
	318168	970952	817738	970603		
	326461	971134	817738	817651		
	INTERNATIONAL	E-1000I	317973	970926	818643	816247
			318200	970954	818643	816247
			325451	971046	819112	816247
		E-1002I	1002BN100-1	971724	971679	1202TB103-4
		E-1002XW	1002BN102-1	971683	971685	1202TB105-2
		E-1200I	314816	818653	816682	816247
			314817	818649	818647	816247
314818			818651	816783	816247	
314819			818645	818643	816247	
317571			970899	817102	816264	
317572			970897	817102	816247	
317573			970895	817108	816247	
325093			971002	971008	816247	
325452			971046	819112	816247	
325453			971048	816678	816247	
317572			970897	817102	816247	
317573			970895	817108	816247	
325093			971002	971008	816247	
325452			971046	819112	816247	
325453		971048	816678	816247		
325454	971050	819110	816247			

Model Part Numbers

	Model	Steer Axle Assy #	Knuckle Left Side	Knuckle Right Side	Beam Assy #
INTERNATIONAL	E-1200I	325455	971052	971104	816247
		325512	971064	971066	816264
		824718	818653	816682	816264
		824719	818651	816783	816264
		824720	818649	818647	816264
		824721	818645	818643	816264
		825004	818879	816682	816264
		825005	818877	816783	816264
		825006	818883	818647	816264
		825007	818881	818643	816264
E-1201W	E-1201W	325647	971078	817108	971080
		626644	971172	819114	971080
		626645	971172	819114	971080
		626646	971078	817108	971080
		626647	971174	971176	971080
		326648	971174	971176	971080
		326649	971178	971180	971080
E-1202I	E-1202I	1202BN100-1	971677	971679	1202TB103-3
		1202BN100-2	971683	971685	1202TB103-2
		1202BN100-3	971687	971685	1202TB103-3
		1202BN100-4	971693	971695	1202TB103-3
E-1202XW	E-1202XW	1202BN102-1	971677	971679	1202TB105-3
		1202BN102-2	971683	971685	1202TB105-2
		1202BN102-3	971693	971695	1202TB105-3
		1202BN103-4	971681	971679	1202TB105-3
E-1203I	E-1203I	327926	971498	971500	971360
		327927	971494	971496	971360
		1203BN100-1	971625	971562	971360
		1203BN100-2	971566	971568	971360
E-1302I	E-1302I	314777	818879	816682	818037
		315413	818653	816682	818035
		315414	815651	816783	818035
		315415	818649	818647	818035
		315416	818645	818643	818035
		317574	970897	817102	818035
		317575	970895	817108	818035
		317977	970926	818643	818035
		325095	971002	971008	818035
		824722	818653	816682	818037
		E-1320W	E-1320W	824723	818651
824724	818649			818647	818037
824725	818645			818643	818037
325659	971082			971084	971080
E-1322XW	E-1322XW	1322BN102-1	971486	971488	1462TB103-2

Model Part Numbers

	Model	Steer Axle Assy #	Knuckle Left Side	Knuckle Right Side	Beam Assy #	
INTERNATIONAL	E-1460I	325456	971054	970570	817650	
		325457	971056	819897	817650	
		325698	971098	971100	971102	
	E-1462I	327928	971486	971488	971359	
		327929	971490	971492	971359	
		1462BN100-36	971595	971488	971501	
		1462BN100-37	971607	971492	971501	
		1462BN100-38	971576	971578	971501	
	E-1462XW	1462BN102-1	971576	974578	1462TB103-3	
		1462BN102-2	971574	971491	1462TB103-3	
		1462BN102-3	971593	971492	1462TB103-3	
	KENWORTH	E-1000I	314764	819987	817094	816944
314765			819989	817098	816944	
316218			970730	819693	816944	
317432			817104	817102	816944	
317566			817106	817108	816944	
E-1200I		314192	819652	819654	816944	
		314736	817980	817978	816944	
		314742	819973	819975	816944	
		314760	819987	817094	816944	
		314761	819989	817098	816944	
		315376	970608	970610	816944	
		315377	670612	970614	816944	
		315378	970616	970618	816944	
		316095	970717	819689	816944	
		316110	817106	817108	816944	
		316219	970730	819693	816944	
		316242	970754	817102	816944	
		316243	970752	817108	816944	
		316244	970750	817094	816944	
		316695	817104	817102	816944	
		816786	816779	816682	816944	
		816787	816781	816783	816944	
		816788	816785	816674	816944	
		823212	817104	817102	816944	
		823213	817106	817108	816944	
		823214	817110	817094	816944	
		823448	817356	817098	816944	
		824438	817966	817964	816944	
		824814	817645	815263	816944	
		825758	819492	816783	816944	
		E-1320I	313553	816779	816682	818285
			314746	816785	816674	818041
			314878	970546	818166	818041
314879			970548	818170	818041	
315417			819989	817098	818041	

Model Part Numbers

	Model	Steer Axle Assy #	Knuckle Left Side	Knuckle Right Side	Beam Assy #	
KENWORTH	E-1320I	315418	819987	817094	818041	
		315566	817104	817102	818041	
		315567	817106	817108	818041	
		315568	817110	817094	818041	
		315575	817104	817102	818284	
		315576	817106	817108	818284	
		315577	817110	817094	818284	
		316220	970730	819693	818041	
		316866	819909	817102	818041	
		316887	970752	817108	818041	
		316888	970750	817094	818041	
		317104	970842	817108	818041	
		317105	970840	817094	818041	
		317743	819909	817102	818284	
		824263	818164	818166	818041	
		824347	818168	818170	818041	
		E-1460I	314386	818198	818196	819694
			314387	818104	818102	819694
			314388	818112	818110	819694
	314762		819997	817738	817656	
	314763		819999	817740	817656	
	316322		970756	970768	817656	
	316323		970764	970766	817656	
	316324		970760	970770	817656	
	316339		970732	817744	817656	
	317016		970756	817743	817656	
	317017		970764	818186	817656	
	317642		970900	818190	817656	
	317771		970904	817738	817656	
823947	817722		817737	817656		
823948	817728		817743	817656		
823949	818184		818186	817656		
824332	817729		817744	817656		
824333	818188		818190	817656		
824334	817723		817738	817656		
824340	818198	818196	817656			
824408	818323	818326	817656			
825210	817729	818110	817656			
825211	818188	818196	817656			
825212	817723	818102	817656			
825213	817722	818090	817656			
825214	817728	818098	817656			
825215	818184	818192	817656			
825343	818100	817743	817656			

Model Part Numbers

	Model	Steer Axle Assy #	Knuckle Left Side	Knuckle Right Side	Beam Assy #		
KENWORTH	E-1462I	1462BN100-1	970732	817744	971620		
		1462BN100-2	819999	817740	971620		
		1462BN100-3	819997	817738	971620		
		1462BN100-15	817729	817744	971620		
		1462BN100-16	818188	818190	971620		
		1462BN100-17	817723	817738	971620		
		1462BN100-18	817729	818110	971620		
		1462BN100-19	818188	818196	971620		
		1462BN100-20	817723	818102	971620		
		1462BN100-21	817729	817744	971620		
		1462BN100-22	818188	818190	971620		
		1462BN100-23	817723	817738	971620		
		1462BN100-24	818188	818196	971620		
		1462BN100-25	817723	818102	971620		
		1462BN100-26	970902	817744	971620		
		1462BN100-27	970900	818190	971620		
		1462BN100-28	970904	817738	971620		
		1462BN100-29	970902	971022	971620		
		1462BN100-30	970900	971020	971620		
		1462BN100-31	970904	971024	971620		
		1462BN100-32	819390	819396	971620		
		1462BN100-33	819388	819394	971620		
		1462BN100-34	819386	819382	971620		
		1462BN100-35	819388	819376	971620		
		MACK TRUCKS	E-1200I	317808	970912	817904	819185
				317824	970918	819689	819185
				317825	970916	970882	819185
				317826	970914	819691	819185
				825484	819178	816783	819185
				825485	819182	815257	819185
				825486	819180	817108	819185
				825487	819184	817102	819185
				E-1320I	317459	970881	970882
		MONACO COACH	E-1200I	315410	970624	970626	816271
				824440	817964	818353	816271
PETERBILT	E-1000I	314869	816672	816674	815322		
		316190	817100	817102	815322		
		316191	818850	817108	815322		
		316192	817092	817094	815322		
		325602	971072	817353	815322		
		825002	816680	816682	815322		
		825003	818848	816783	815322		
		E-1200I	314295	817096	817098	970862	
	318366		817092	817094	970862		
	326470		971068	817098	971069		
	314776		817096	817098	3004245		

Model Part Numbers

	Model	Steer Axle Assy #	Knuckle Left Side	Knuckle Right Side	Beam Assy #	
PETERBILT	E-1200I	315272	817100	817102	815322	
		315273	818850	817108	815322	
		316338	970774	819940	815322	
		316606	970776	970780	815322	
		318352	970987	817102	815322	
		318367	817100	817102	970862	
		816683	816672	816674	815322	
		816684	816676	816678	815322	
		816685	816680	816682	815322	
		823209	817092	817094	815322	
		823210	817096	817098	815322	
		823211	817100	817102	815322	
		823420	817300	817307	815322	
		824065	817302	817309	815322	
		824410	818338	816678	815322	
		824411	818330	817102	815322	
		824412	818332	817098	815322	
		824413	818334	817094	815322	
		824414	818336	816682	815322	
		825000	816680	816682	815322	
		825001	818848	816783	815322	
		E-1460I	318047	818112	970940	817648
			325051	817729	817744	818291
			325052	818188	818190	818291
	325053		817723	817738	818291	
	325146		971016	971024	817656	
	325193		818112	817744	817656	
	326416		819388	819376	817656	
	326540		817723	818102	818291	
	825640		819386	819392	817656	
	316721		819096	970800	817648	
	318051		819417	817744	817648	
	318052		819413	818190	817648	
	824642		817735	817743	817648	
	824643		817733	817739	817648	
	824644		817732	817737	817648	
	824645		818536	817744	817648	
	824646		818534	817740	817648	
	824647		818532	817738	817648	
	825322		819098	819066	817648	
	825324		819080	817744	817648	
	825627		819078	817743	817648	
	825641		819415	817743	817648	
	825642		819411	818186	817648	
	825687	819486	819062	817648		

Model Part Numbers

	Model	Steer Axle Assy #	Knuckle Left Side	Knuckle Right Side	Beam Assy #	
PETERBILT	E-1462I	1462BN100-7	818536	817744	971621	
		1462BN100-8	818534	817740	971621	
		1462BN100-9	818532	817738	971621	
		1462BN100-10	819080	817744	971621	
		1462BN100-11	819417	817744	971621	
		1462BN100-12	819413	818190	971621	
		1462BN100-13	818112	970940	971621	
		1462BN100-14	971398	971400	971621	
SPARTAN MOTOR	E-1000I	314914	970566	970568	970560	
		317849	970922	970920	970560	
	E-1200I	313662	819557	819423	816271	
		823695	817641	817640	816271	
		825382	819104	819108	819131	
		825383	819102	819106	819131	
		825384	819104	819108	819131	
		825385	819102	819106	819131	
	E-1460I	316165	970722	819897	817655	
	WESTERN STAR	E-1200I	315668	818746	816682	815319
			315669	818752	819114	815319
			315799	970684	970686	815319
			316006	815268	815257	815319
316007			819120	819114	815319	
823208			817096	817098	816944	
824350			815266	816678	815319	
824351			817096	817098	815319	
824357			818921	816674	815319	
825116			818744	816678	815319	
825117			818742	816674	815319	
825262			819118	819112	815319	
825263			819116	819110	815319	
825264			818750	819112	815319	
825265			818748	819110	815319	
E-1320I			315734	818750	819112	818287
			315735	818748	819110	818287
		315736	819118	819112	818287	
		315737	819116	819110	818287	
		315738	818744	816678	818287	
		315739	818742	816674	818287	
		315740	970658	816678	818287	
		315741	970660	816674	818287	
E-1460I		313569	819001	819054	818963	
		313570	819003	819056	818963	
		313571	818997	819054	818963	
		313572	818926	819056	818963	
	314410	819005	819899	818963		

Model Part Numbers

	Model	Steer Axle Assy #	Knuckle Left Side	Knuckle Right Side	Beam Assy #
WESTERN STAR	E-1460I	314411	819007	819897	818963
		314412	818999	819899	818963
		314413	818932	819897	818963
		314876	970550	817739	818963
		314877	970552	970570	818963
		313569	819001	819054	818963
		313570	819003	819056	818963
		313571	818997	819054	818963
		313572	818926	819056	818963
		314410	819005	819899	818963
		314898	818928	817739	818963
		314899	970572	970570	818963
		316008	970696	817743	818963
		316009	970698	970700	818963
		316634	818930	817743	818963
		316878	818934	970570	818963
		317199	818936	970700	818963
		825258	819001	819054	818963
		825259	819003	819056	818963
		825260	818997	819054	818963
MISCELLANEOUS	E-1462W	1462BN101-6	972038	971613	1462TB102-9
	E-1322W	1322BN101-7	971611	971613	1462TB102-2

For specifying or service assistance, call 1-877-777-5360 or visit our website at www.dana.com

Dana Commercial Vehicle Products Group

3939 Technology Drive
Maumee, Ohio, USA 43537

www.dana.com



SPICER[®]

Drivetrain Products